

[54] ADJUSTABLE READILY DETACHABLE PICTURE HANGING DEVICE

[76] Inventor: Theodore D. A. Collet, 6140 Calle Tuberia, Scottsdale, Ariz. 85251

[\*\*] Term: 14 Years

[21] Appl. No.: 855,750

[22] Filed: Nov. 29, 1977

[51] Int. Cl. .... D8-08

[52] U.S. Cl. .... D8/373; D6/246

[58] Field of Search ..... 248/481, 489, 493, 494, 248/495, 498; 85/DIG. 2; 24/115 H, 115 K, 130, 131 C, 136 F, 136 L, 122, 228; D6/32, 234, 246, 233; D8/370, 388

[56] References Cited

U.S. PATENT DOCUMENTS

550,456	11/1895	Nealy	248/493
1,455,961	5/1923	Maier	248/493
1,793,790	2/1931	Fowler	24/136 L X
2,426,326	8/1947	Tooms	85/DIG. 2
2,679,709	6/1954	Du Bois	24/115 H

FOREIGN PATENT DOCUMENTS

26339 of 1897 United Kingdom ..... 248/493

Primary Examiner—A. Hugo Word  
Attorney, Agent, or Firm—Warren F. B. Lindsley

[57] CLAIM

The ornamental design for an adjustable readily detachable picture hanging device, as shown and described.

DESCRIPTION

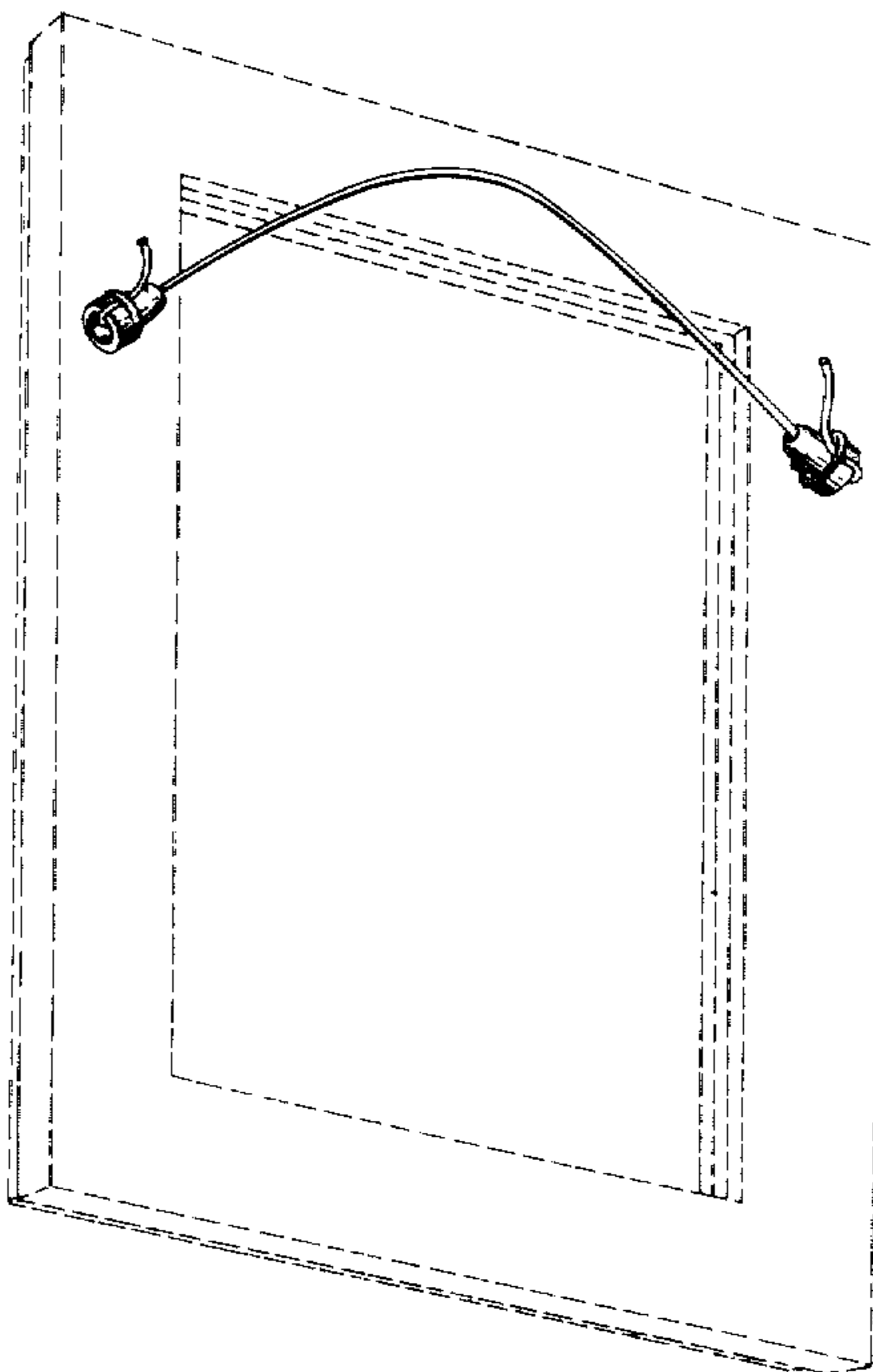
FIG. 1 is a perspective view of an adjustable readily detachable picture hanging device showing its attachment to the back of a picture shown in dash lines for purposes of illustration;

FIG. 2 is a perspective view of one side and end of one of two similar plugs shown in FIG. 1;

FIG. 3 is a perspective view of the other end and side of the plug shown in FIG. 2;

FIG. 4 is a cross-sectional view of FIG. 2 taken along the line 4-4; and

FIGS. 5, 6 and 7 are perspective views of the sequential steps of mounting one of the plugs of the invention at a selected point along a frame supporting cord of the picture frame shown in cooperation with an eye screw.



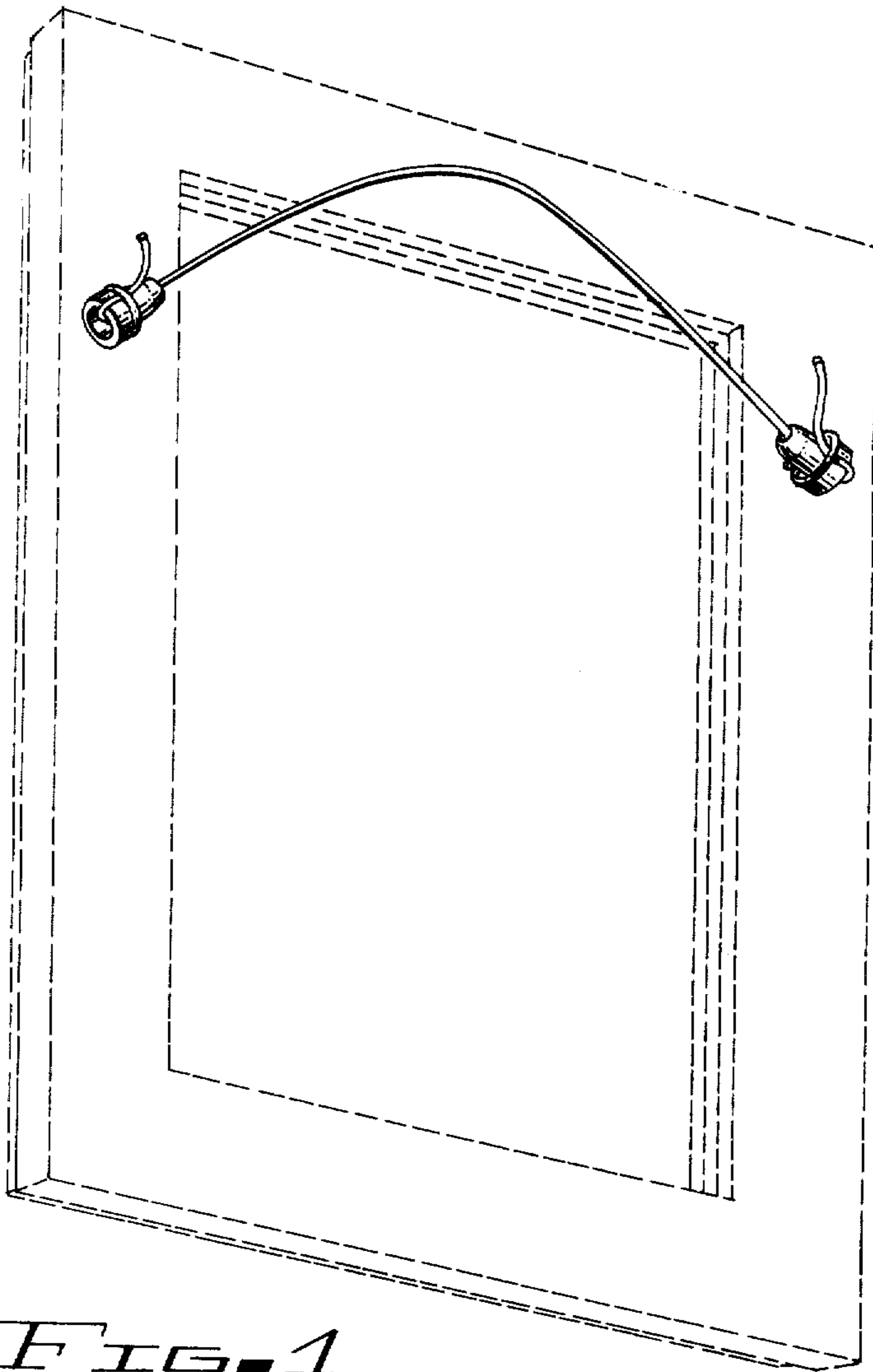


FIG. 1

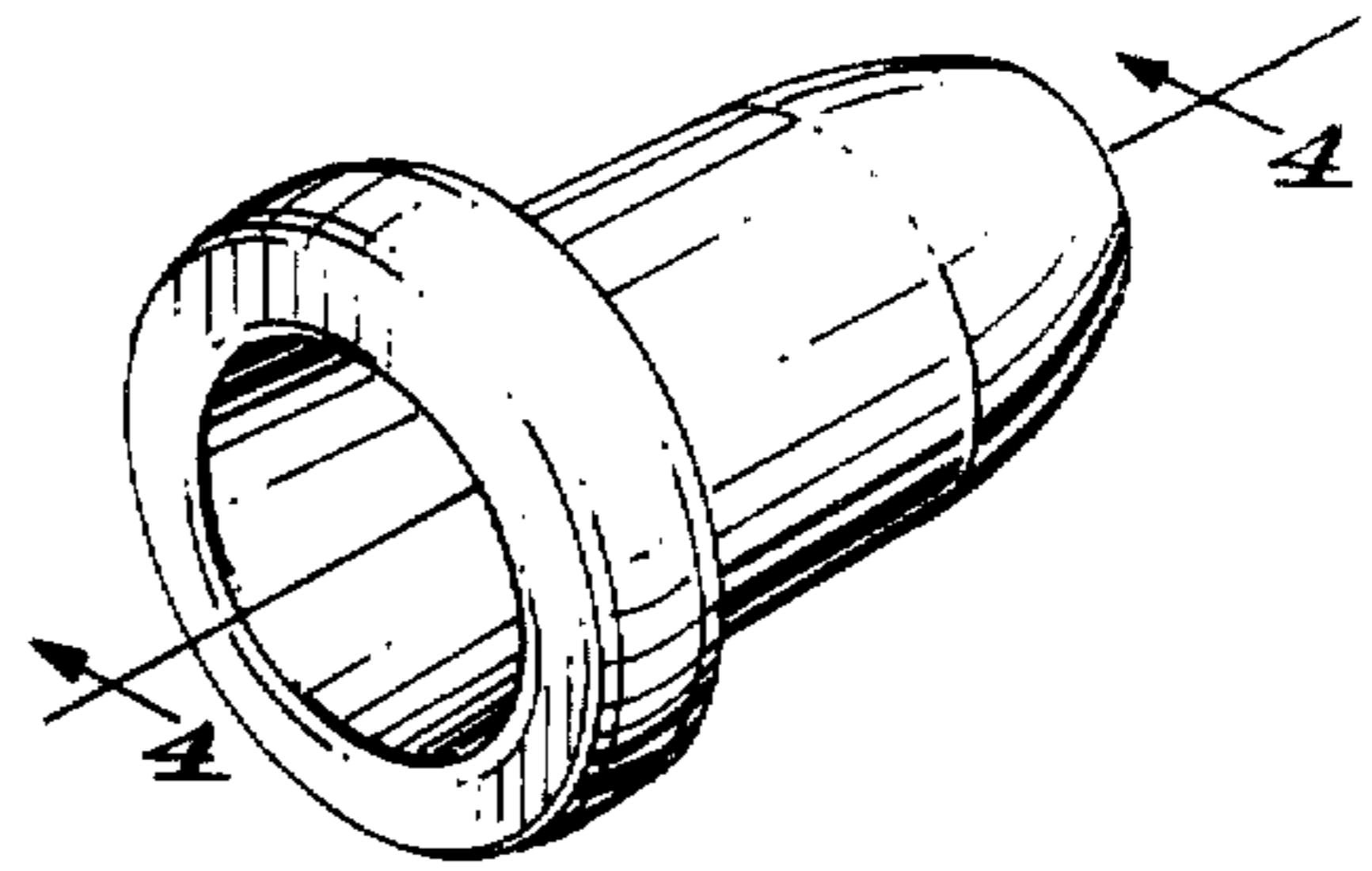


FIG. 2

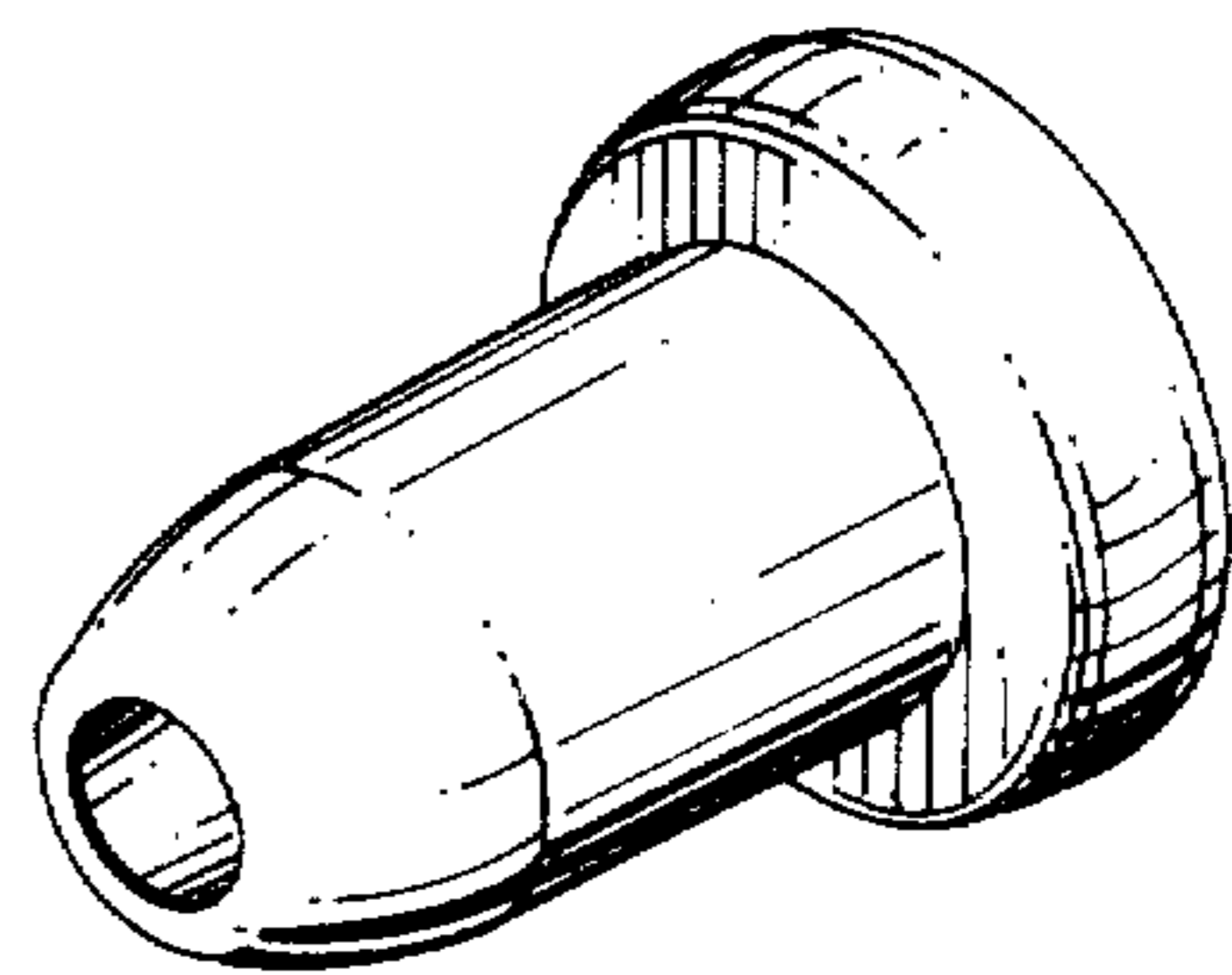


FIG. 3

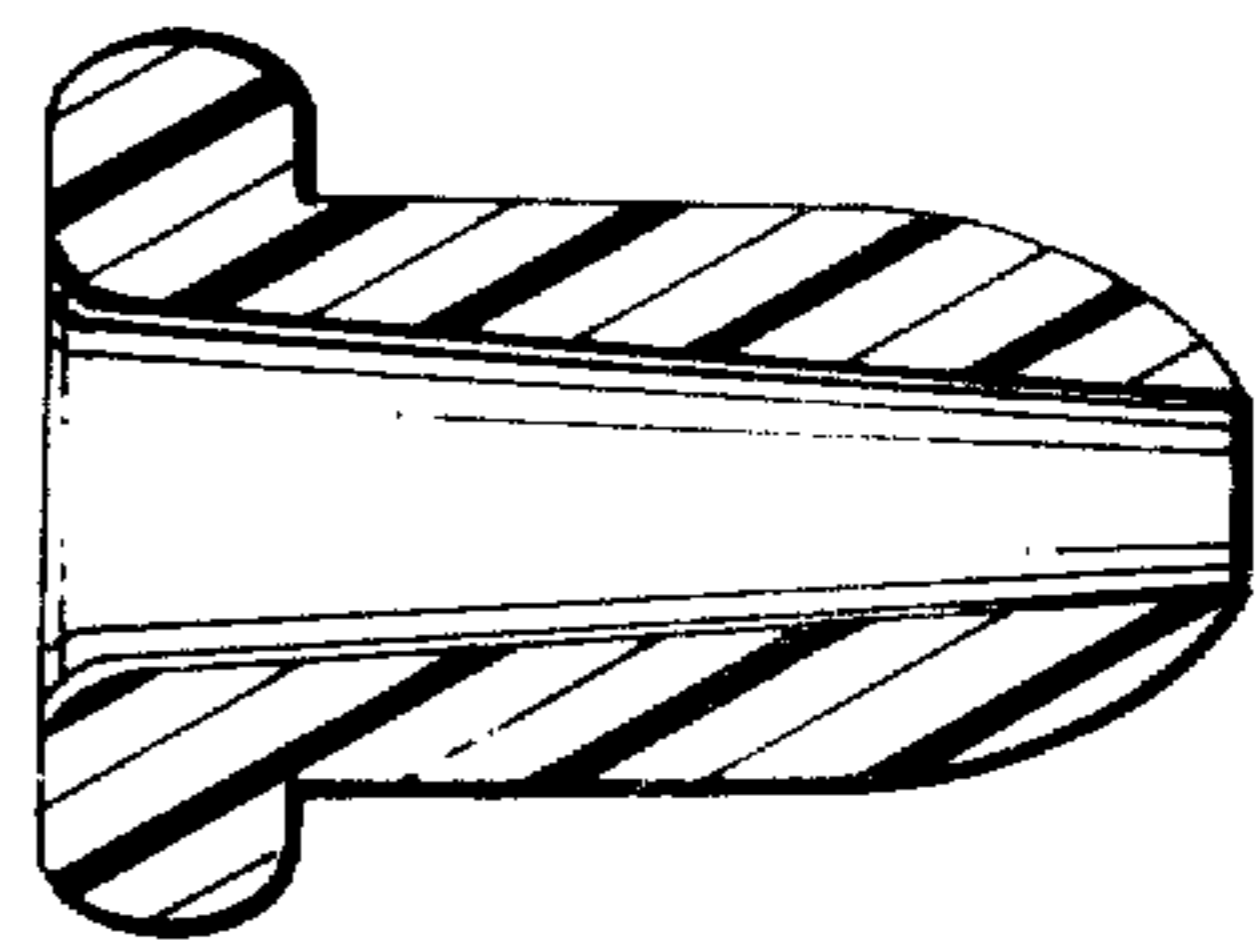


FIG. 4

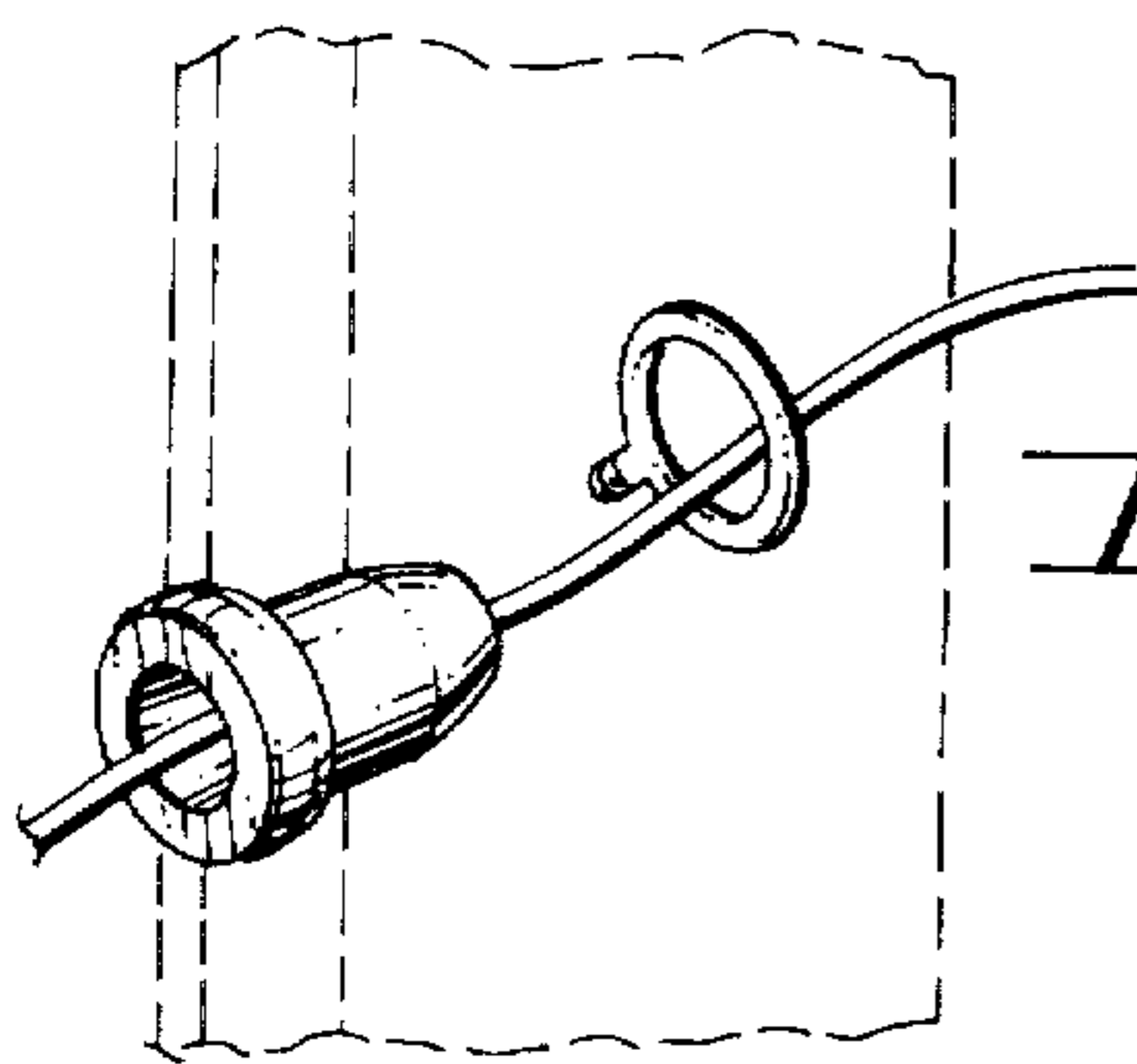


FIG. 5

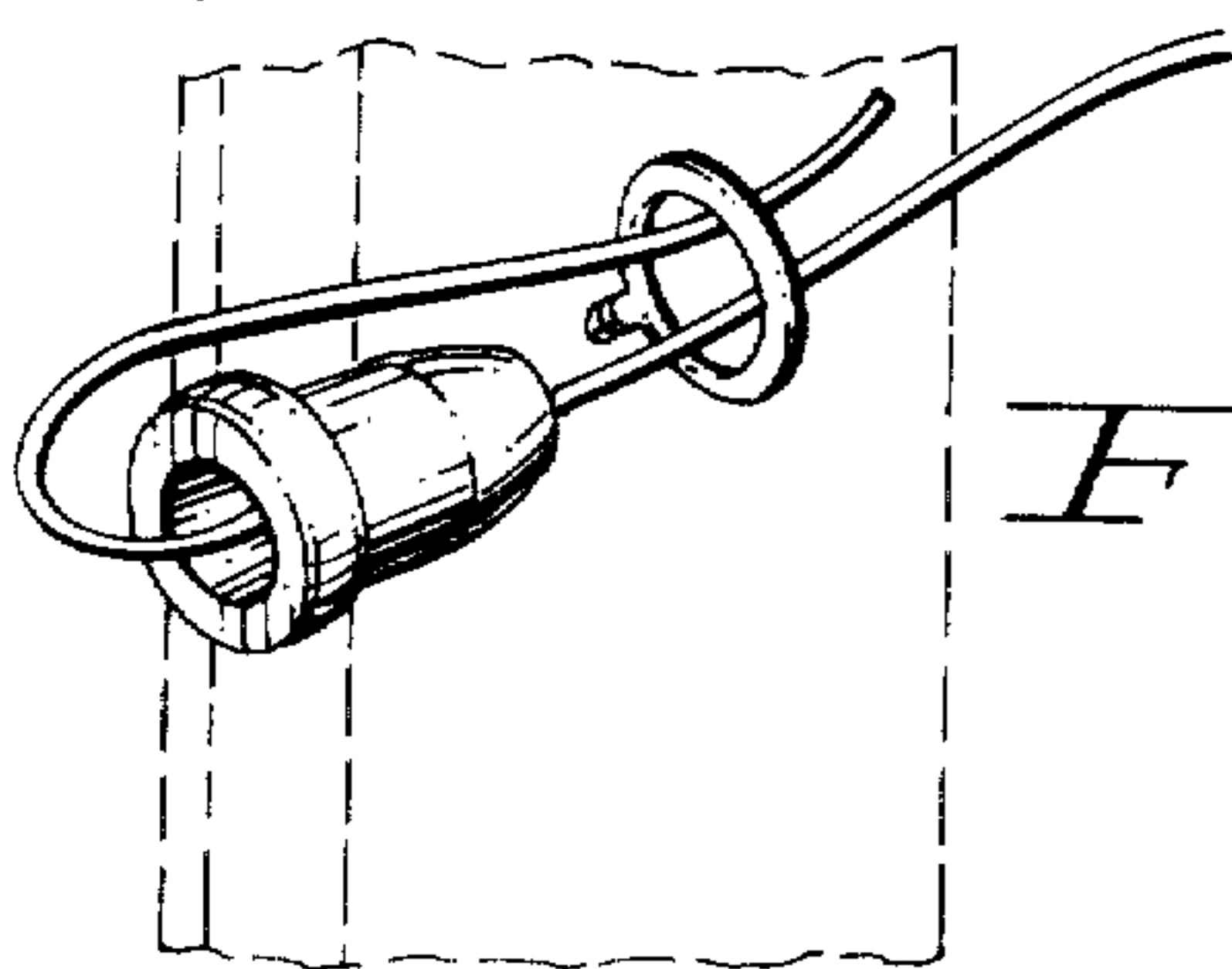


FIG. 6

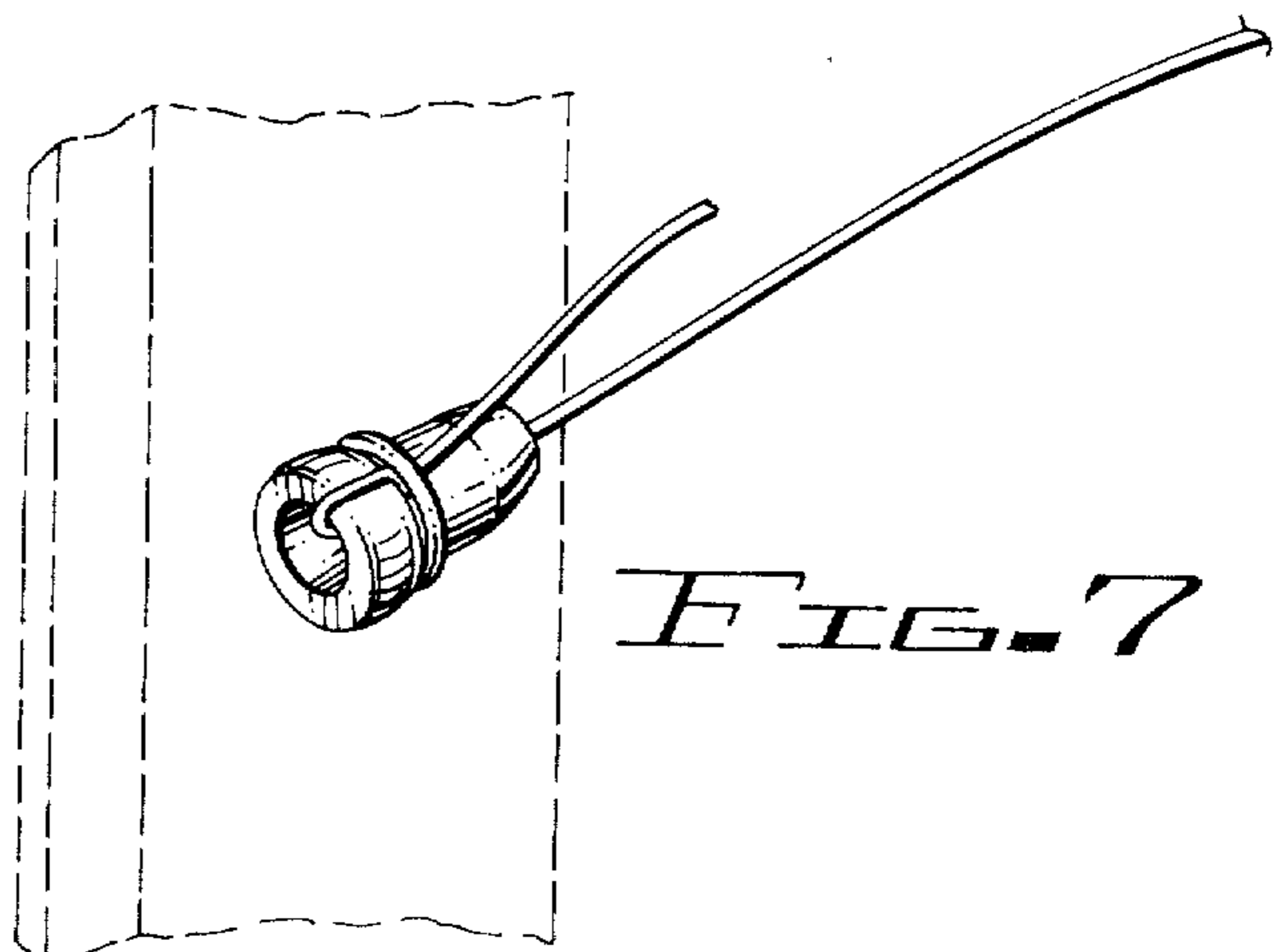


FIG. 7