

[54] ONION SCOOP OR THE LIKE

[75] Inventor: Robert H. C. M. Daenen, Hekelgem, Belgium

[73] Assignee: Dart Industries Inc., Los Angeles, Calif.

[**] Term: 14 Years

[21] Appl. No.: 144,468

[22] Filed: Apr. 28, 1980

[51] Int. Cl. DO7-06

[52] U.S. Cl. D7/148; D7/104; D7/106; D7/140

[58] Field of Search D7/42, 100, 99, 106, D7/102, 104, 138, 148, 149, 140; 30/322, 324, 150, 325

[56] **References Cited**

U.S. PATENT DOCUMENTS

D. 45,189 2/1914 Ford D7/149

D. 240,790 8/1976 Daenen D7/138 X

D. 250,080 10/1978 Kavalaris D7/102 X

D. 255,973 7/1980 Morin D7/138

FOREIGN PATENT DOCUMENTS

737471 7/1943 Fed. Rep. of Germany 30/322

213024 1/1941 Switzerland D7/140

Primary Examiner—Winifred E. Herrmann

Attorney, Agent, or Firm—Leigh B. Taylor

[57] CLAIM

The ornamental design for an onion scoop or the like, substantially as shown.

DESCRIPTION

FIG. 1 is a top perspective view of an onion scoop or the like showing my new design;

FIG. 2 is a bottom perspective view thereof;

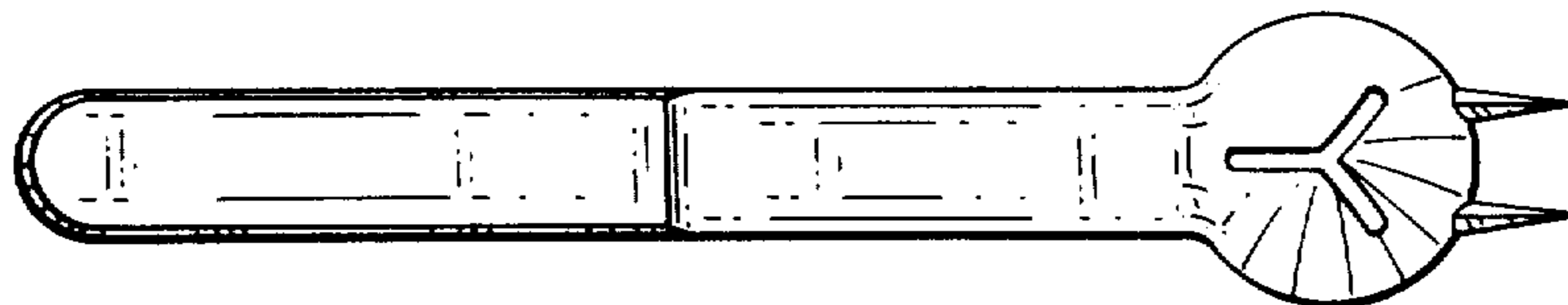
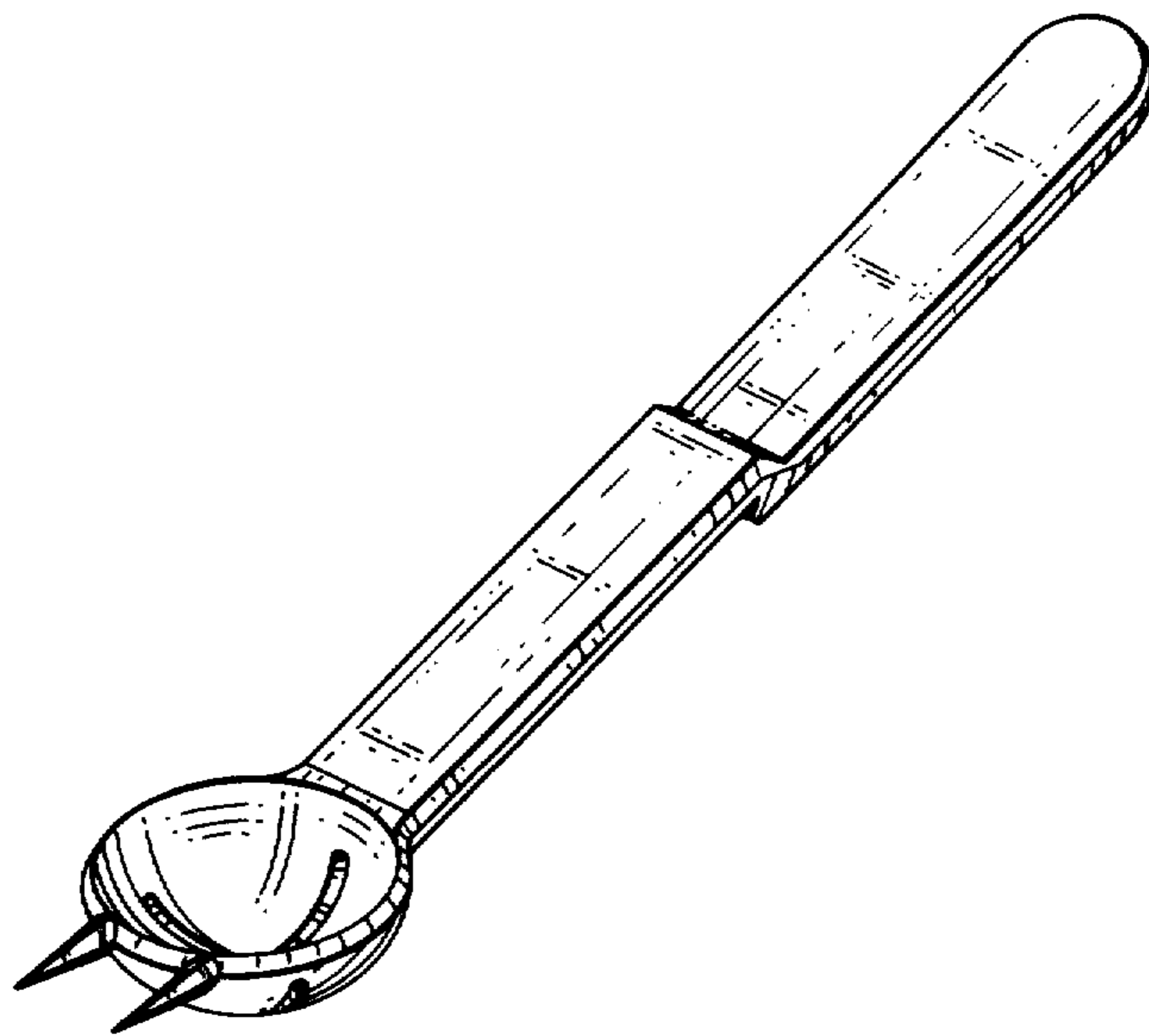
FIG. 3 is a side elevational view thereof;

FIG. 4 is a top plan view thereof;

FIG. 5 is a bottom plan view thereof;

FIG. 6 is a front elevational view thereof; and

FIG. 7 is a rear elevational view thereof.



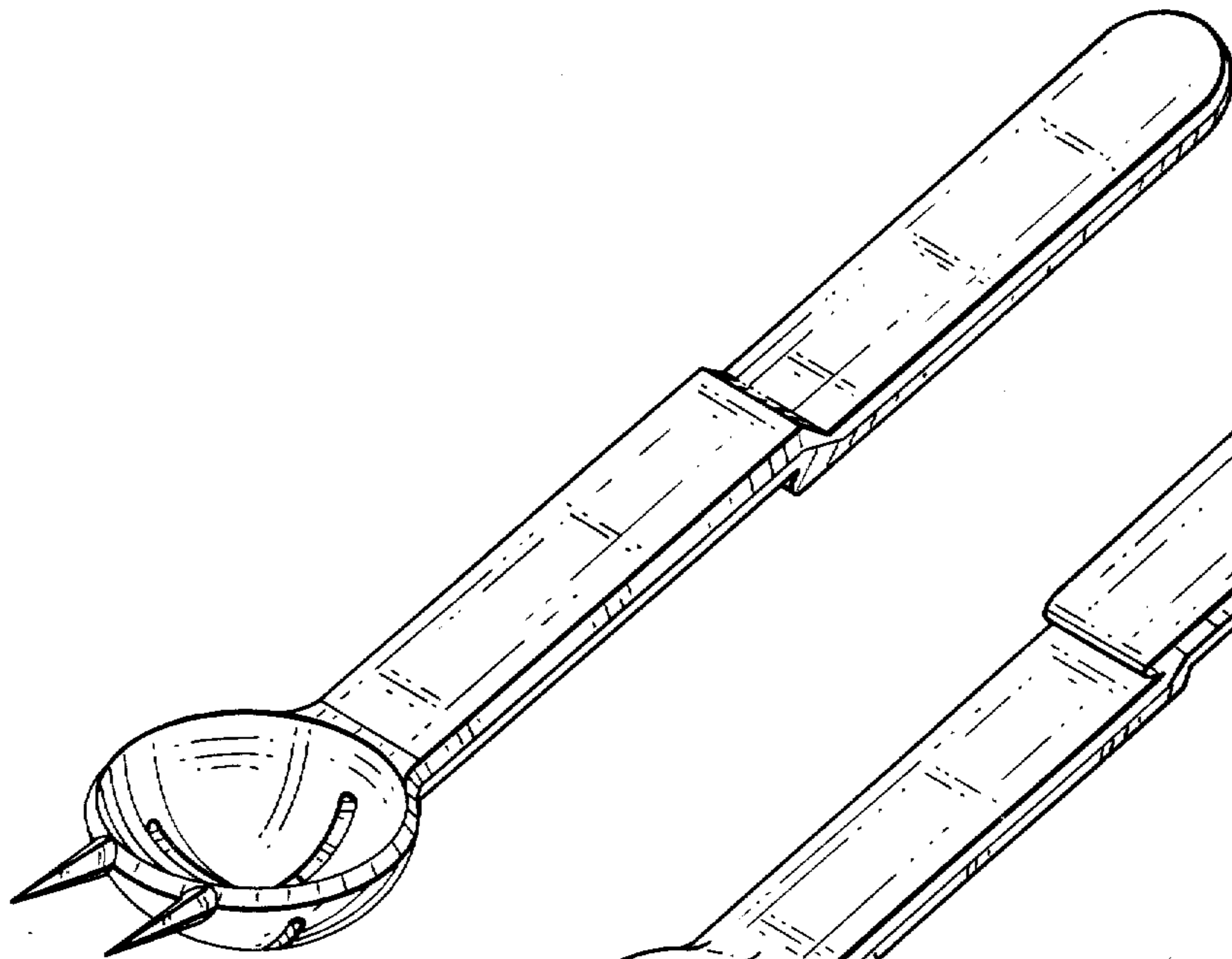


FIG. 1

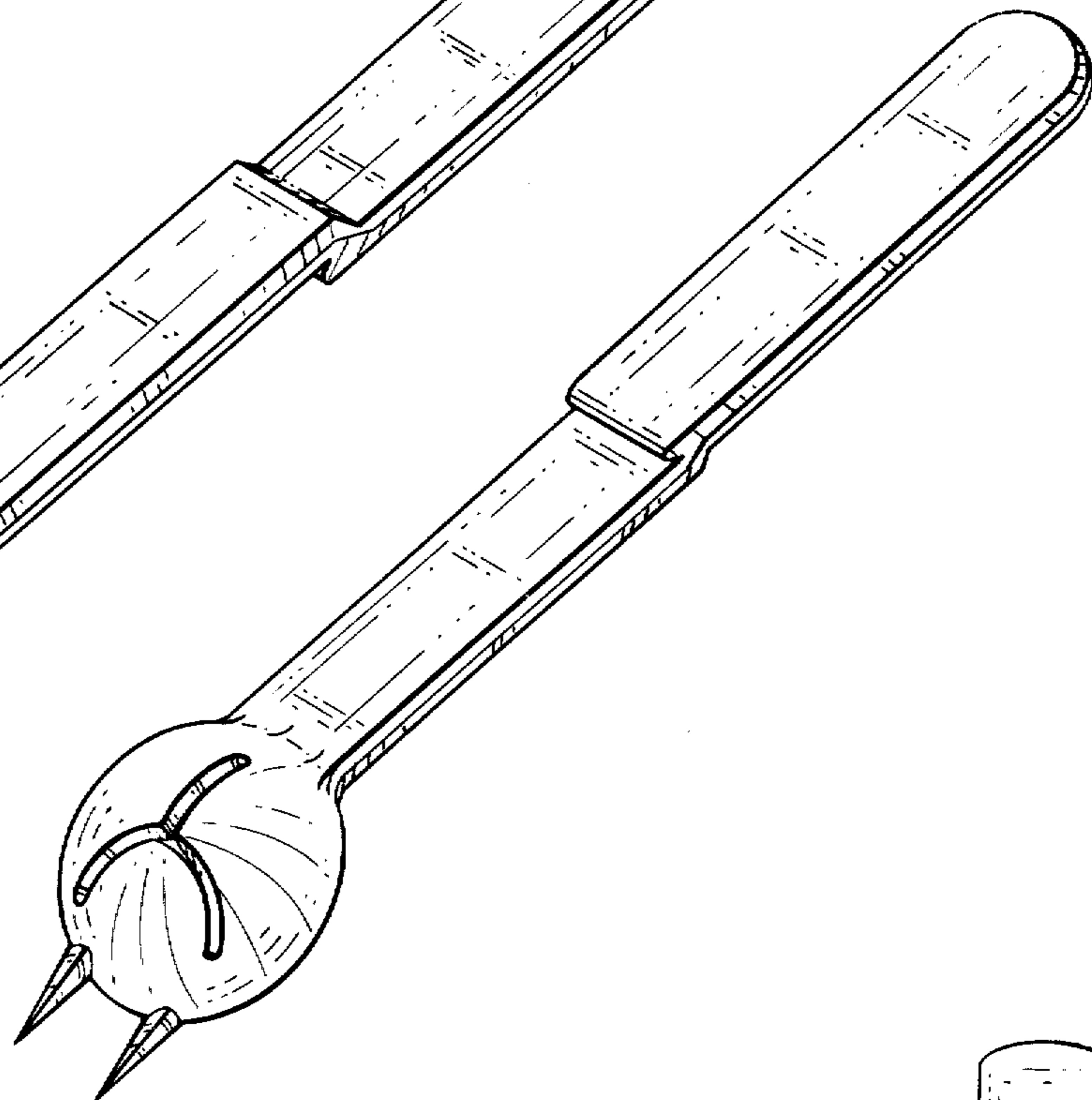


FIG. 2

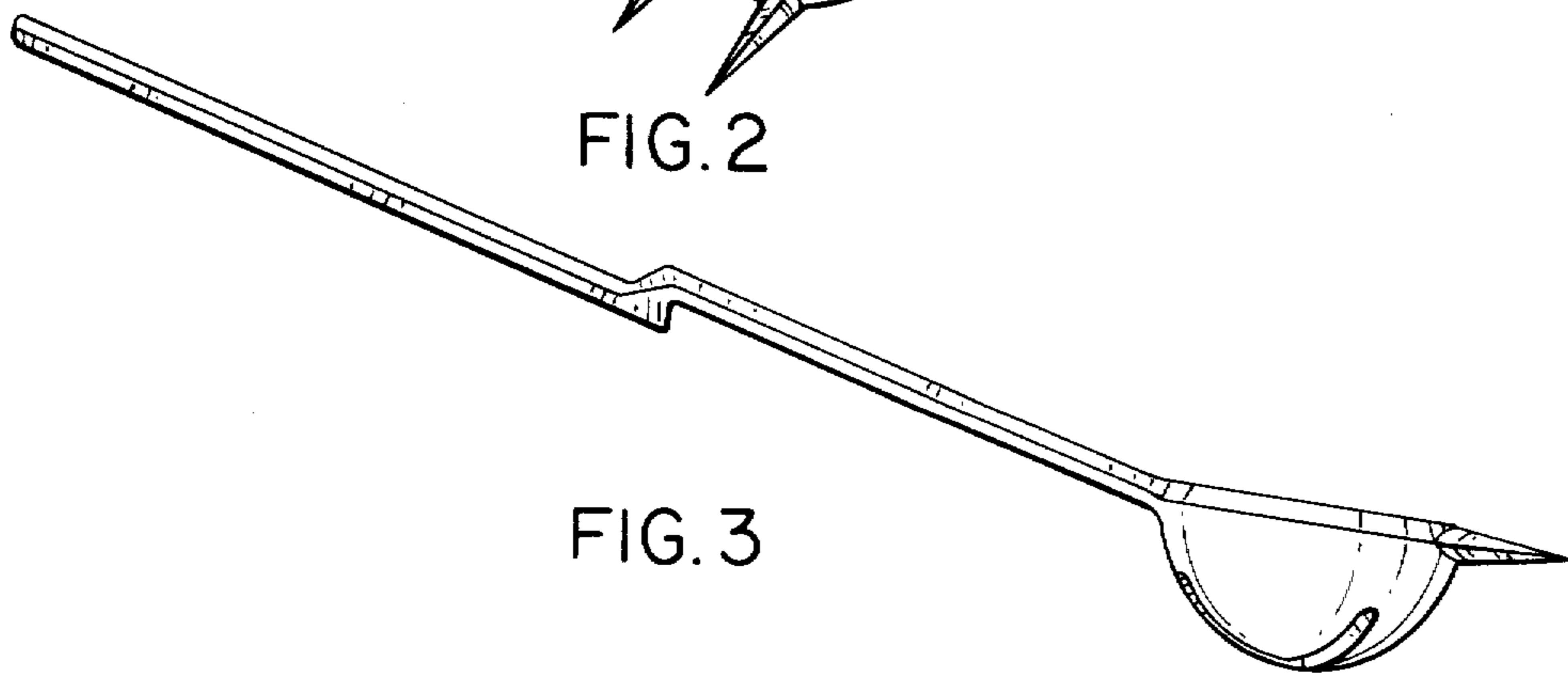


FIG. 3

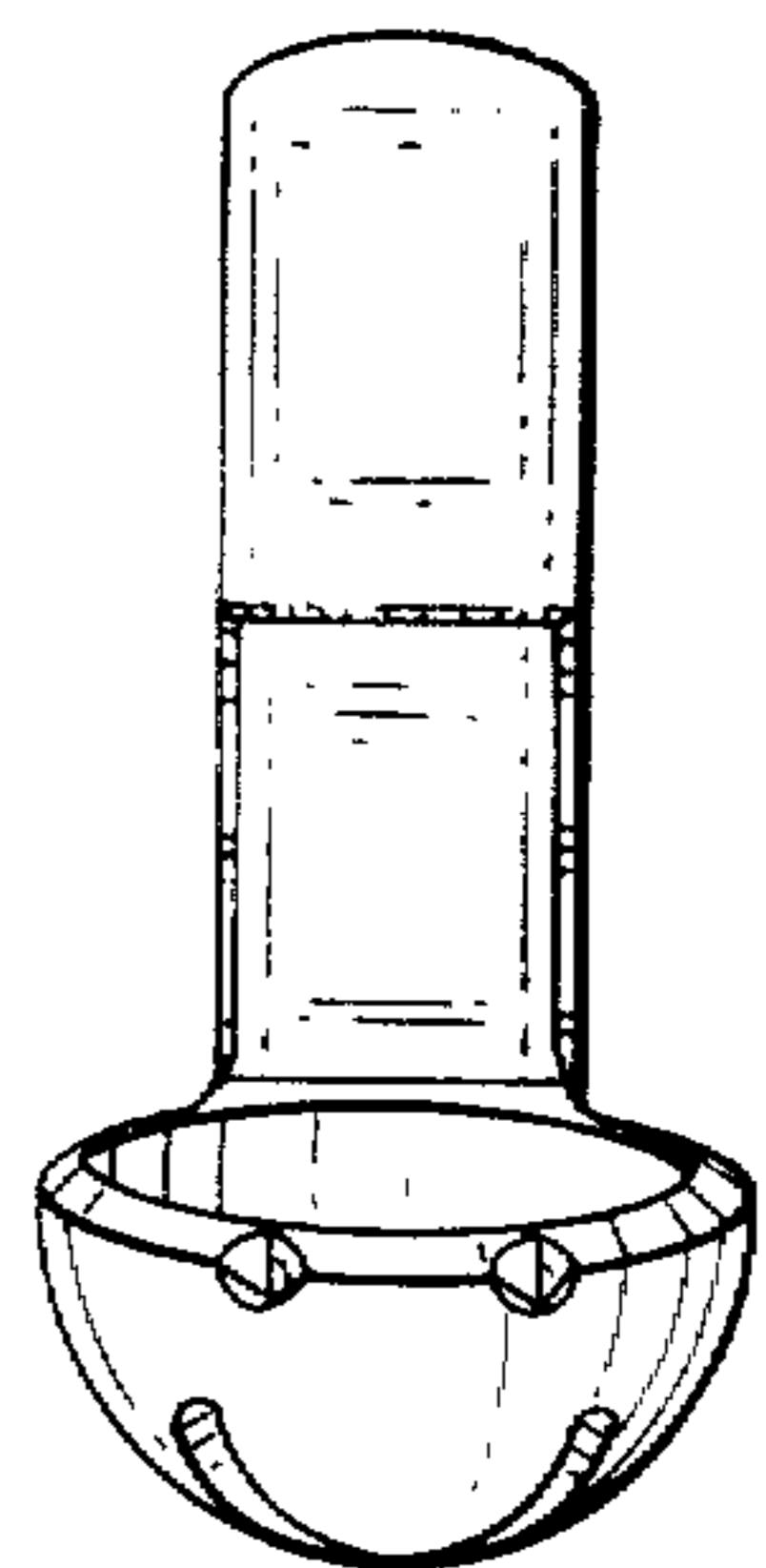


FIG. 6

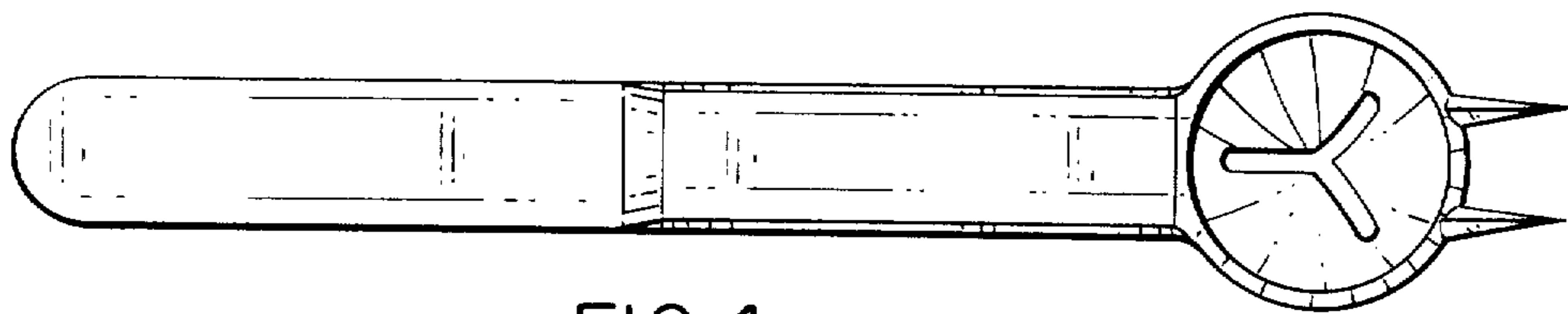


FIG. 4

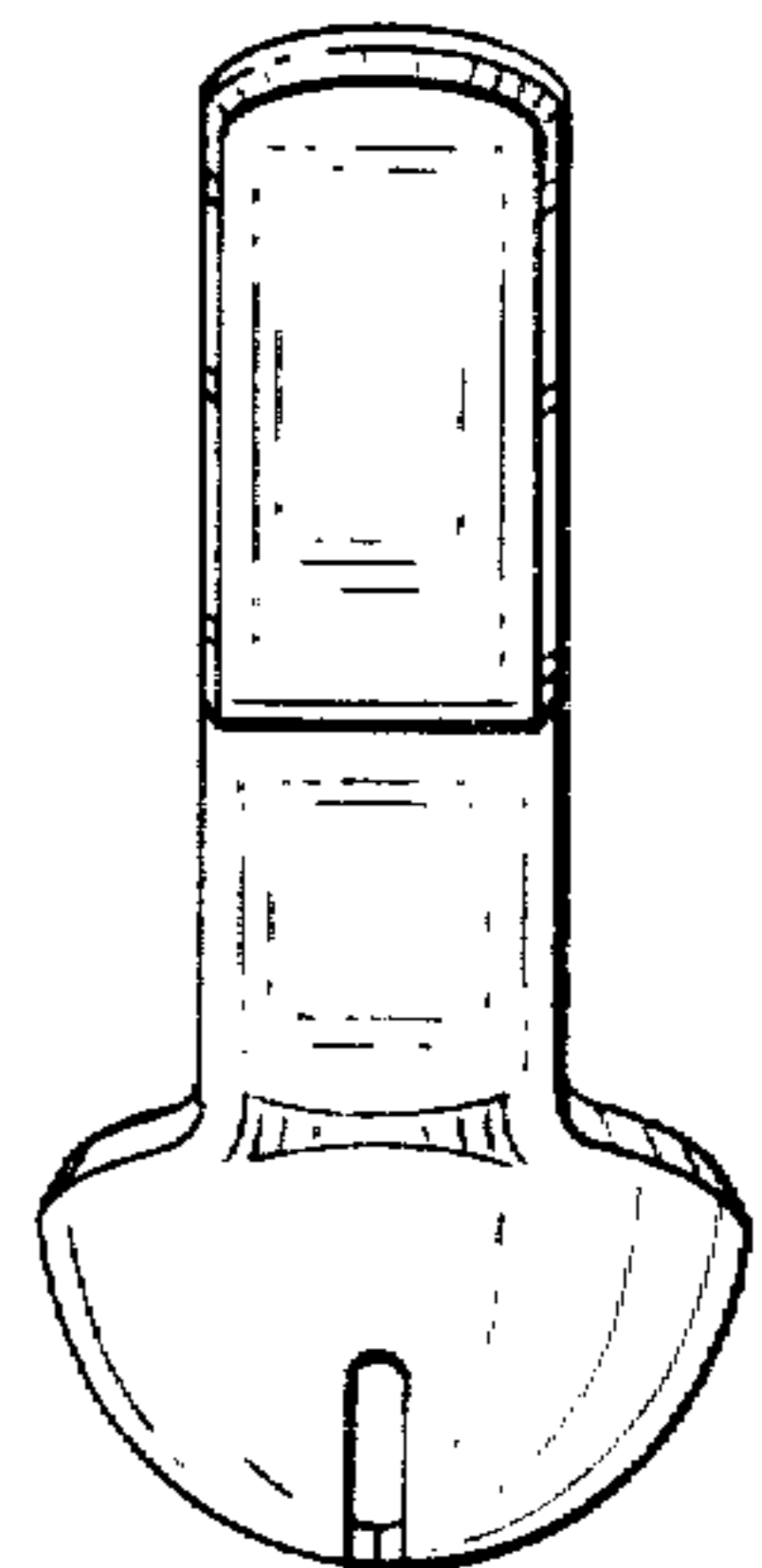


FIG. 7

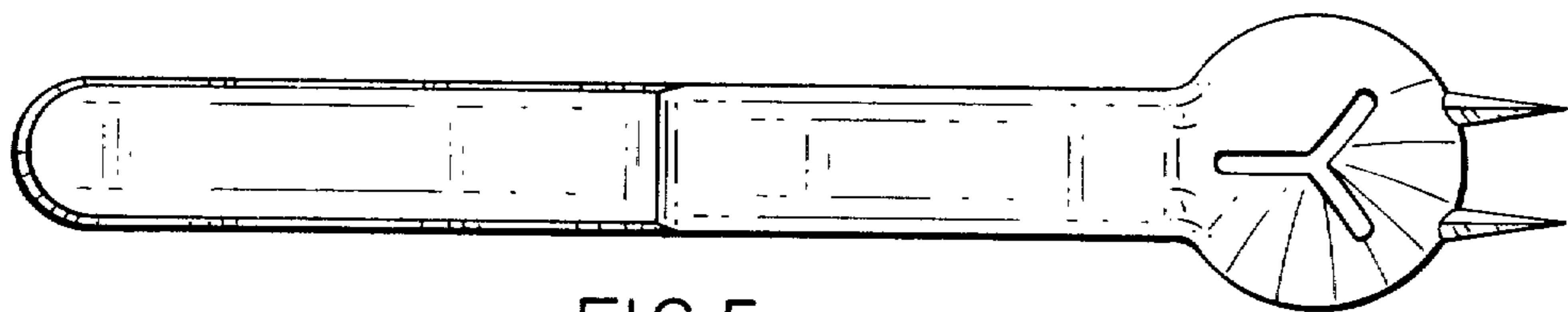


FIG. 5