

[54] HOT AIR GRILL

4,178,500 12/1979 Brindöpke 99/374 X

[75] Inventor: Jurgen Assmann, Michelbach, Fed. Rep. of Germany

Primary Examiner—Winifred E. Herrmann
Attorney, Agent, or Firm—Robert E. Burns; Emmanuel J. Lobato; Bruce L. Adams

[73] Assignee: Grossag GmbH, Fed. Rep. of Germany

[57] CLAIM

[**] Term: 14 Years

The ornamental design for a hot air grill, as shown and described.

[21] Appl. No.: 913,123

[22] Filed: Jun. 6, 1978

[30] Foreign Application Priority Data

Dec. 6, 1977 [DE] Fed. Rep. of Germany 3488[U]

[51] Int. Cl. DO7-02

[52] U.S. Cl. D7/85; D7/87; D7/94; D7/126

[58] Field of Search D7/109, 128, 41, 85, D7/97, 94, 91, 89, 87, 88, 126; D15/92, 104, 108; 126/21 A; 219/400

[56] References Cited

U.S. PATENT DOCUMENTS

- 3,586,516 6/1971 Terc 219/400
- 4,010,341 3/1977 Ishammar 219/400
- 4,034,663 7/1977 Jenn et al. 126/21 A X

DESCRIPTION

FIG. 1 is a front perspective view of a hot air grill showing my new design and comprising a foldable base and removable transparent split shell.

FIG. 2 is a top perspective view thereof.

FIG. 3 is a left side perspective view thereof.

FIG. 4 is a right side perspective view thereof.

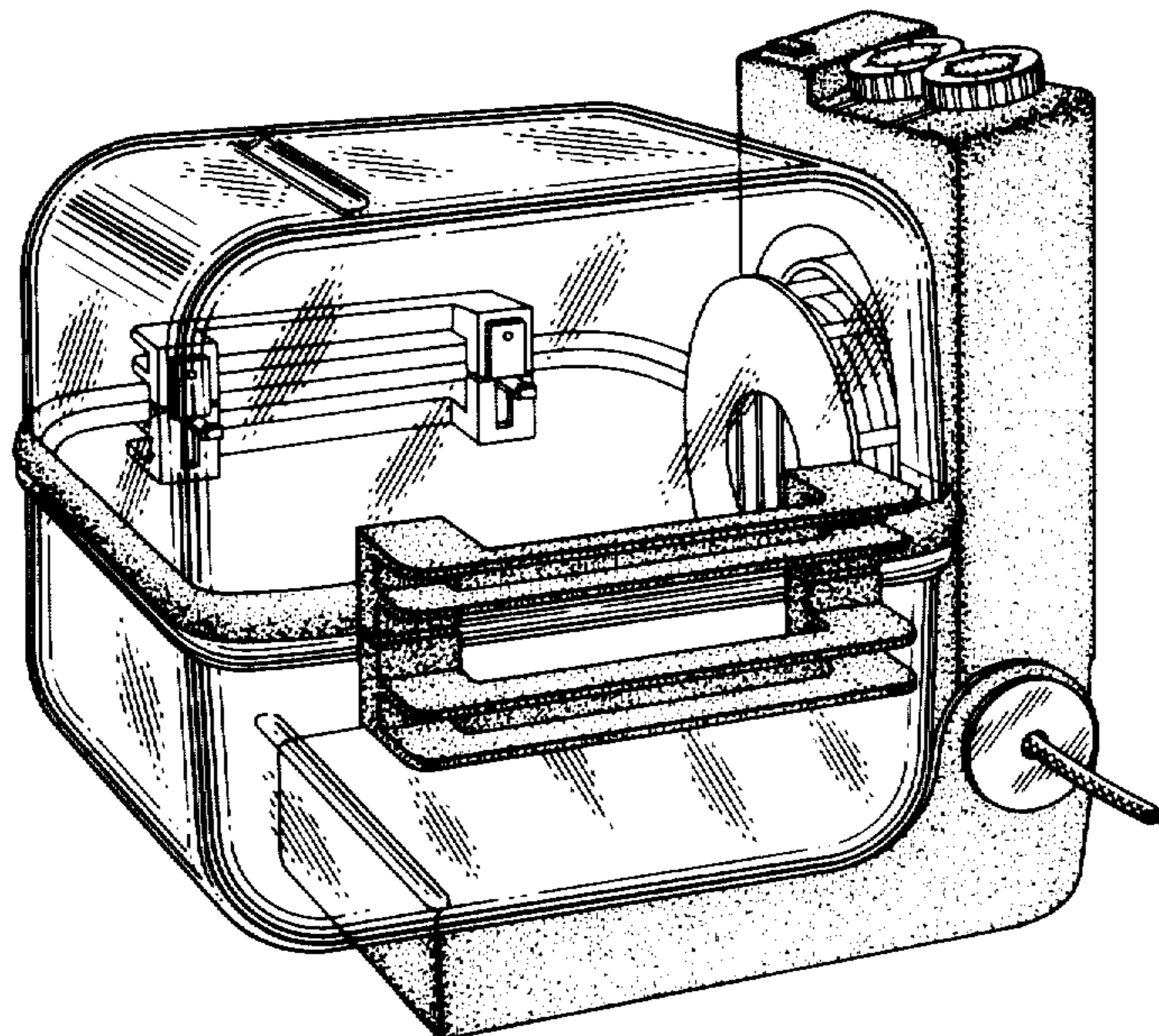
FIG. 5 is a back perspective view thereof.

FIG. 6 is a perspective view of the base shown in folded condition with the shell removed, the sides not shown in FIG. 6 being seen in FIGS. 3 and 5.

FIG. 7 is a bottom perspective view thereof.

FIG. 8 is a top perspective view of a modification thereof, and

FIG. 9 is a perspective view of the modification shown in FIG. 8, the modification being otherwise as shown in FIGS. 1 to 7.



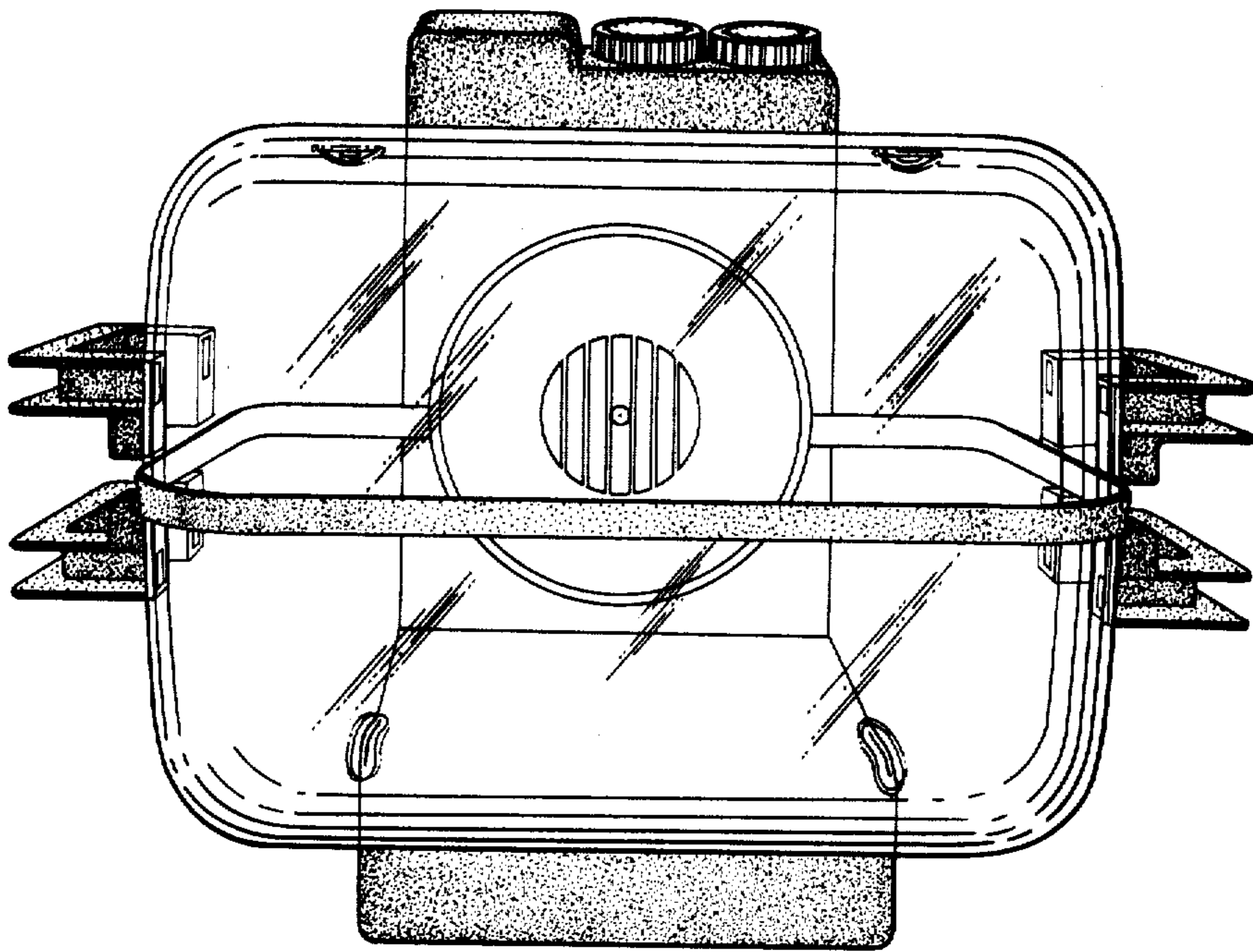


FIG. 1

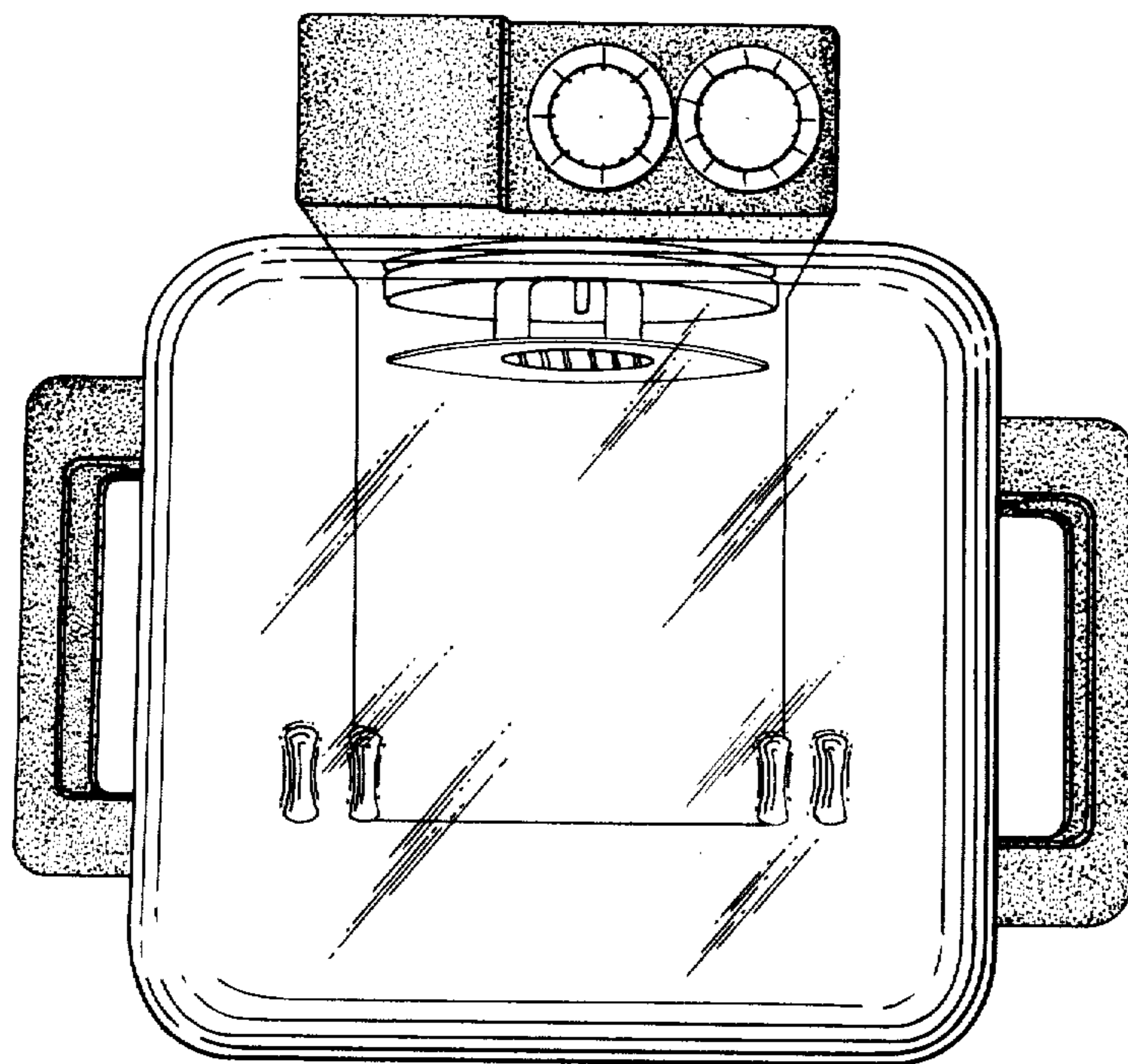


FIG. 2

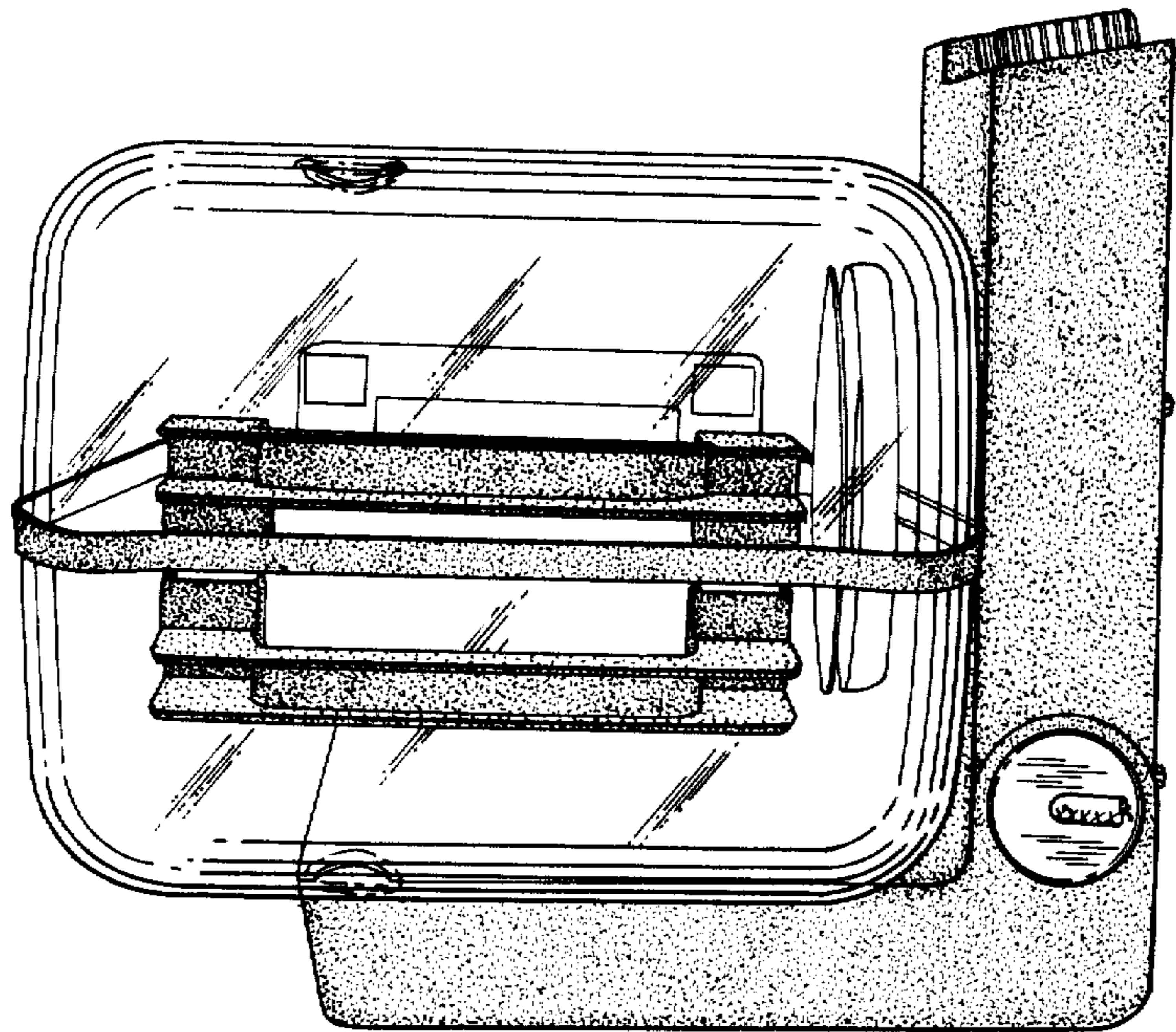


FIG. 3

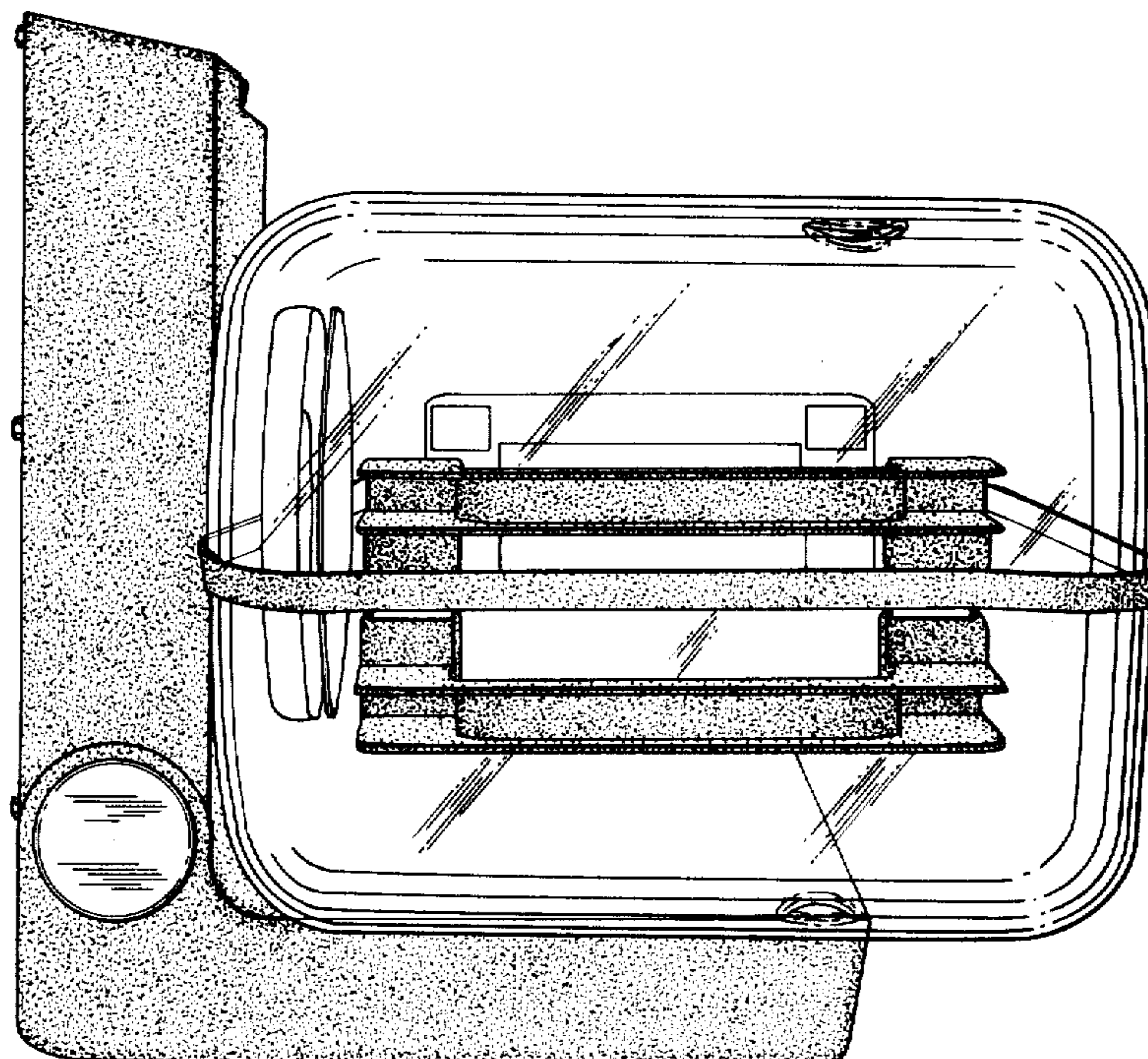


FIG. 4

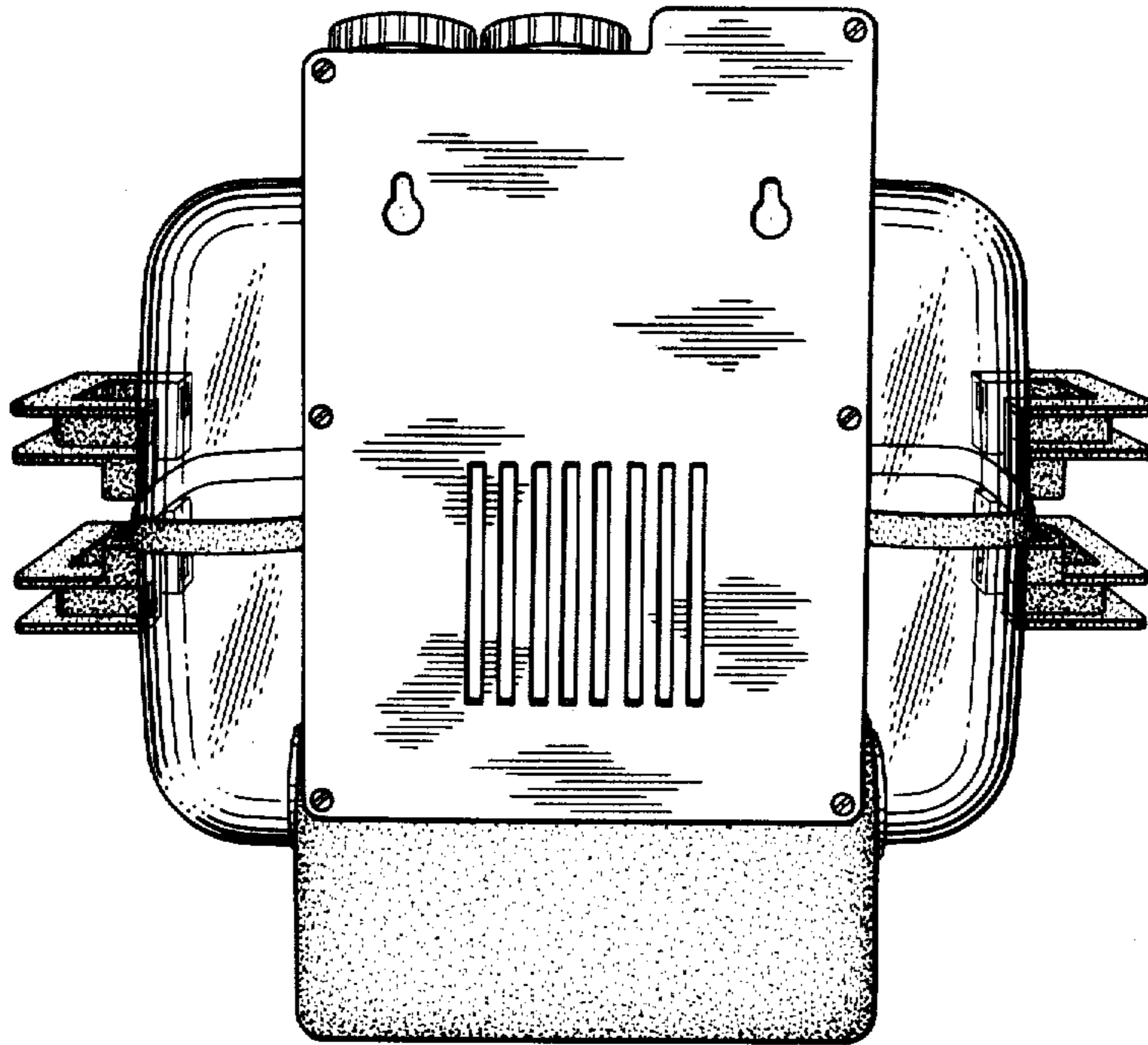


FIG. 5

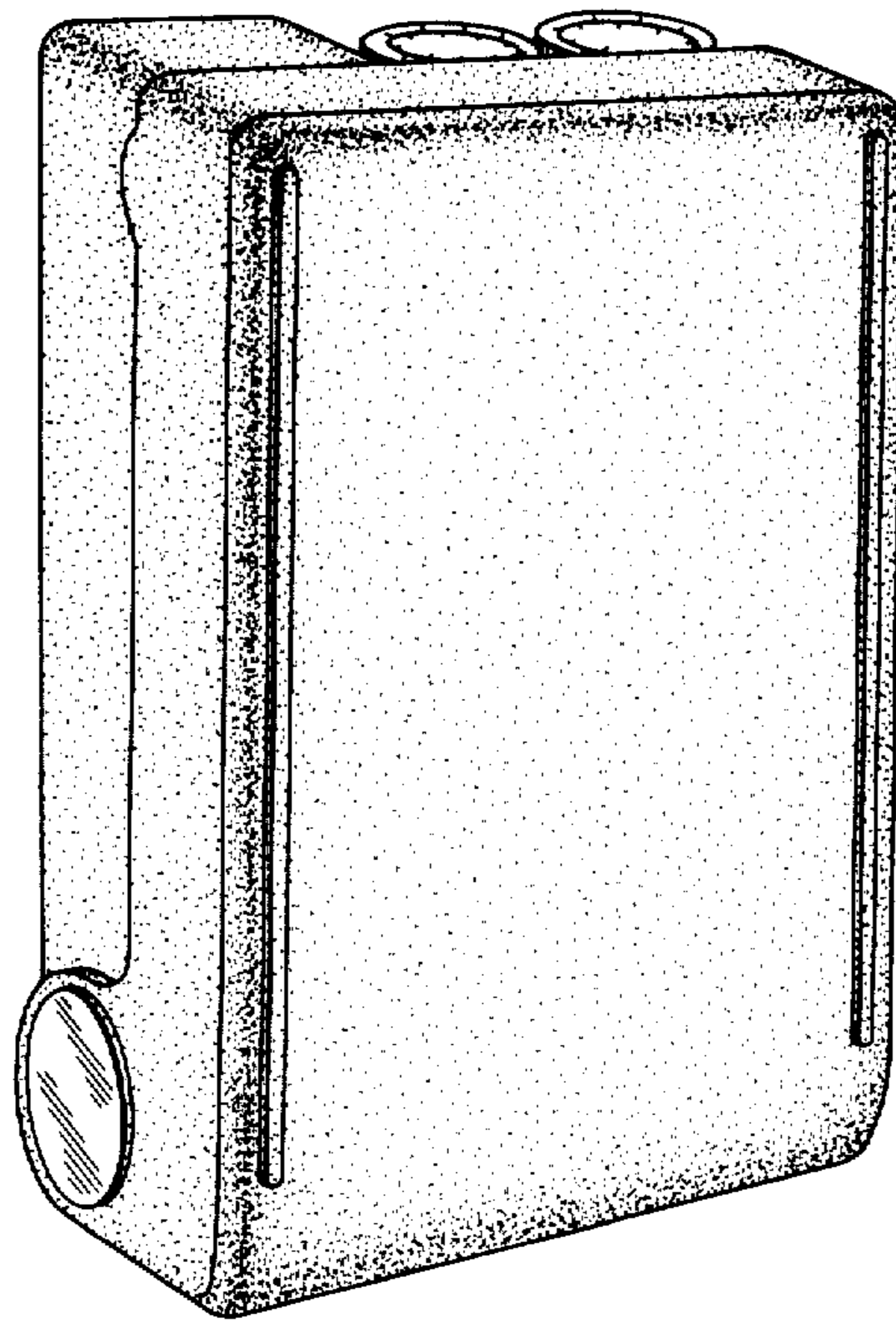


FIG. 6

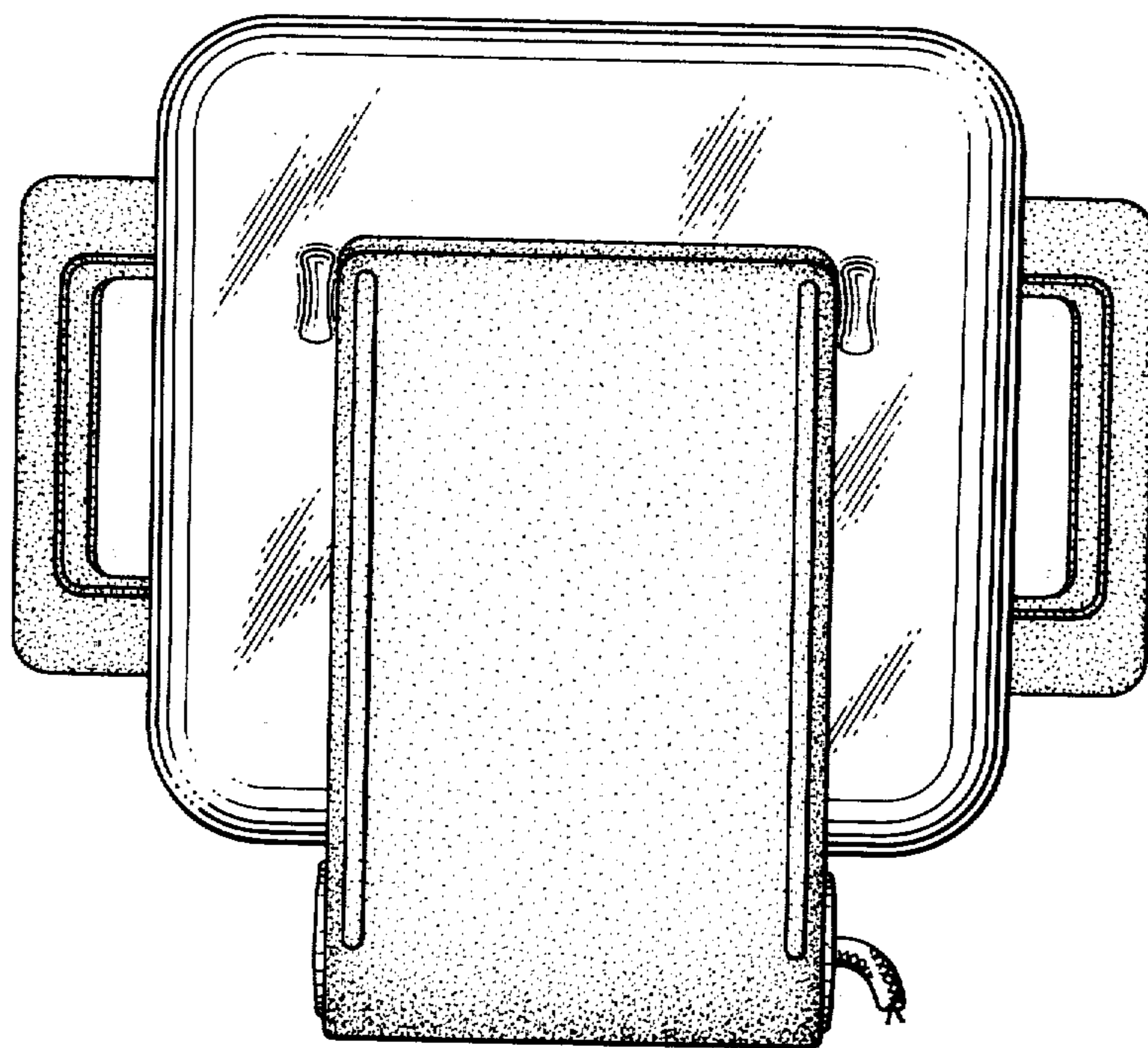


FIG. 7

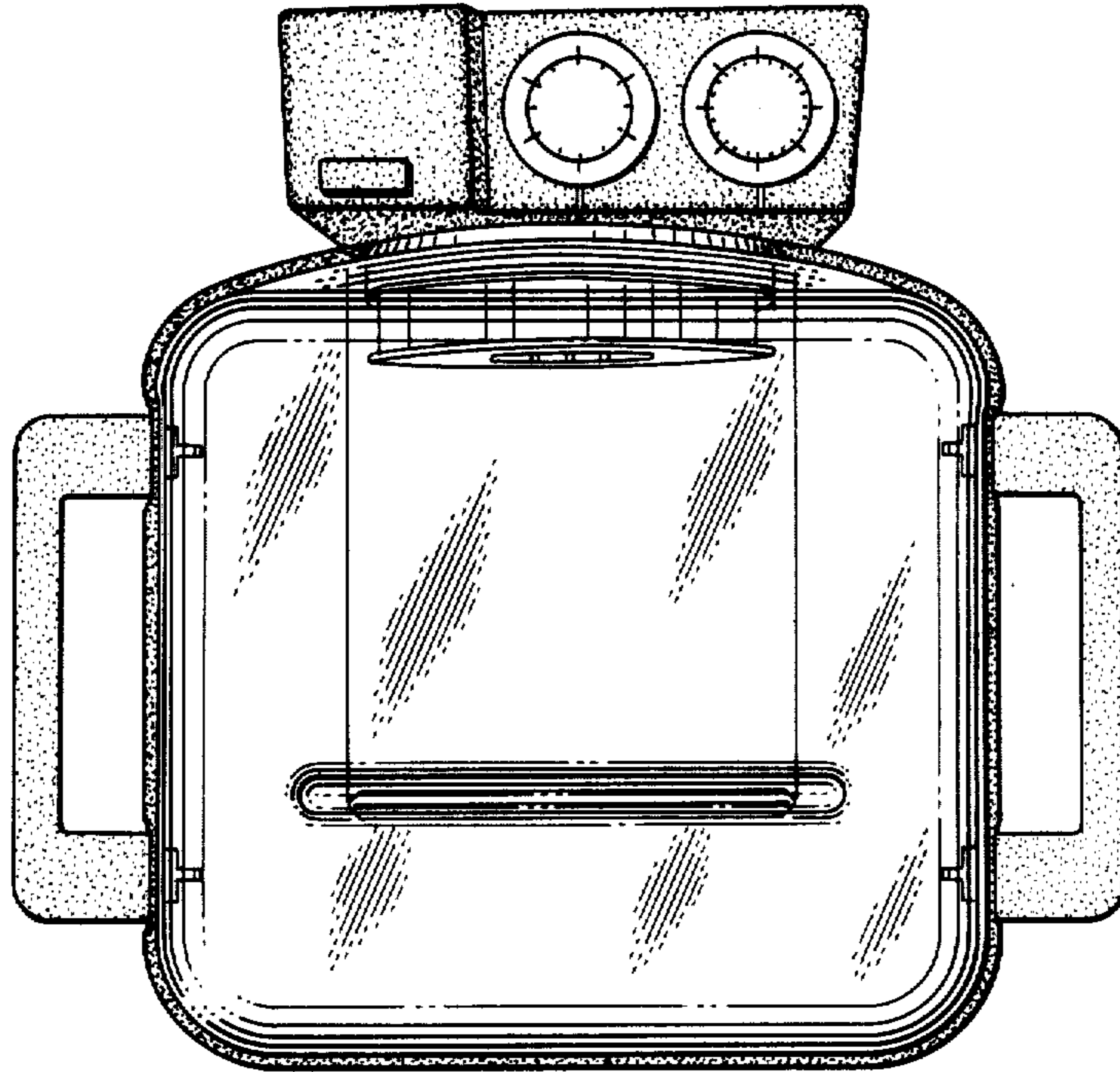


FIG. 8

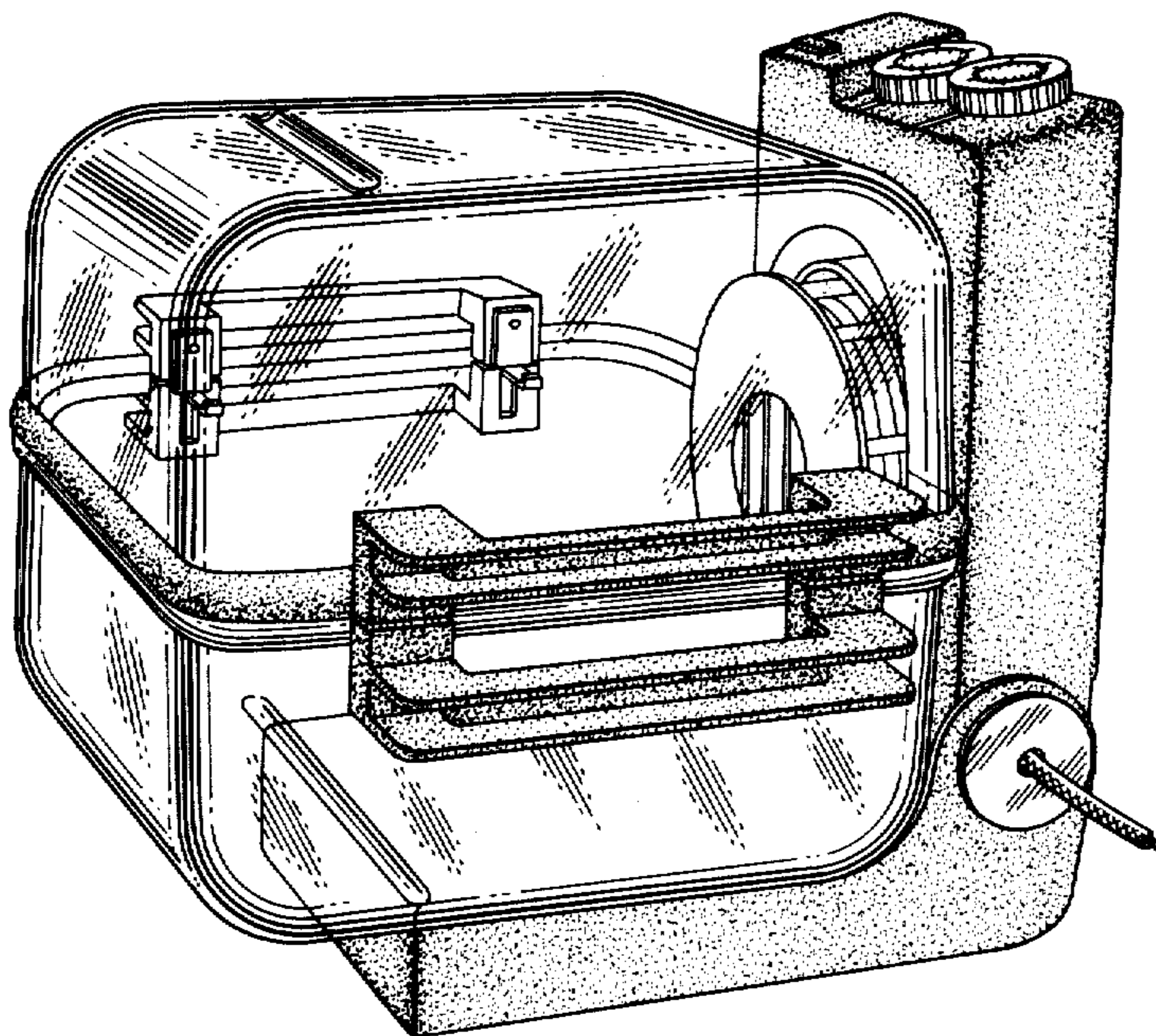


FIG. 9