

[54] **FOOD MIXING BOWL**

[75] Inventor: **Andre Morin, Montreal, Canada**

[73] Assignee: **Les Industries Provinciales Ltee., St. Damien, Canada**

[**] Term: **14 Years**

[21] Appl. No.: **55,598**

[22] Filed: **Jul. 9, 1979**

[30] **Foreign Application Priority Data**
 Jun. 21, 1979 [CA] Canada 2106798

[51] Int. Cl. **D7-01**

[52] U.S. Cl. **D7/64**

[58] Field of Search **D7/20, 59, 60, 64, 65**

[56] **References Cited**
U.S. PATENT DOCUMENTS

D. 167,166 7/1952 Rodier **D7/64**
 D. 184,875 4/1959 Johnson **D7/20**

D. 199,990 1/1965 Wright **D7/64**
 D. 236,409 8/1975 Cyren **D7/64**
 D. 256,312 8/1980 Ernest **D7/64**

OTHER PUBLICATIONS

W. Bell & Co., 78 Catalog, p. 288, Item No. 0, Mixing Bowls in Copco Panel, bottom, 2nd from right.

Primary Examiner—Louis S. Zarfes
Attorney, Agent, or Firm—Goudreau, Gage & Dubuc

[57] **CLAIM**

The ornamental design for a food mixing bowl, as shown and described.

DESCRIPTION

FIG. 1 is a perspective view of a food mixing bowl showing my new design;

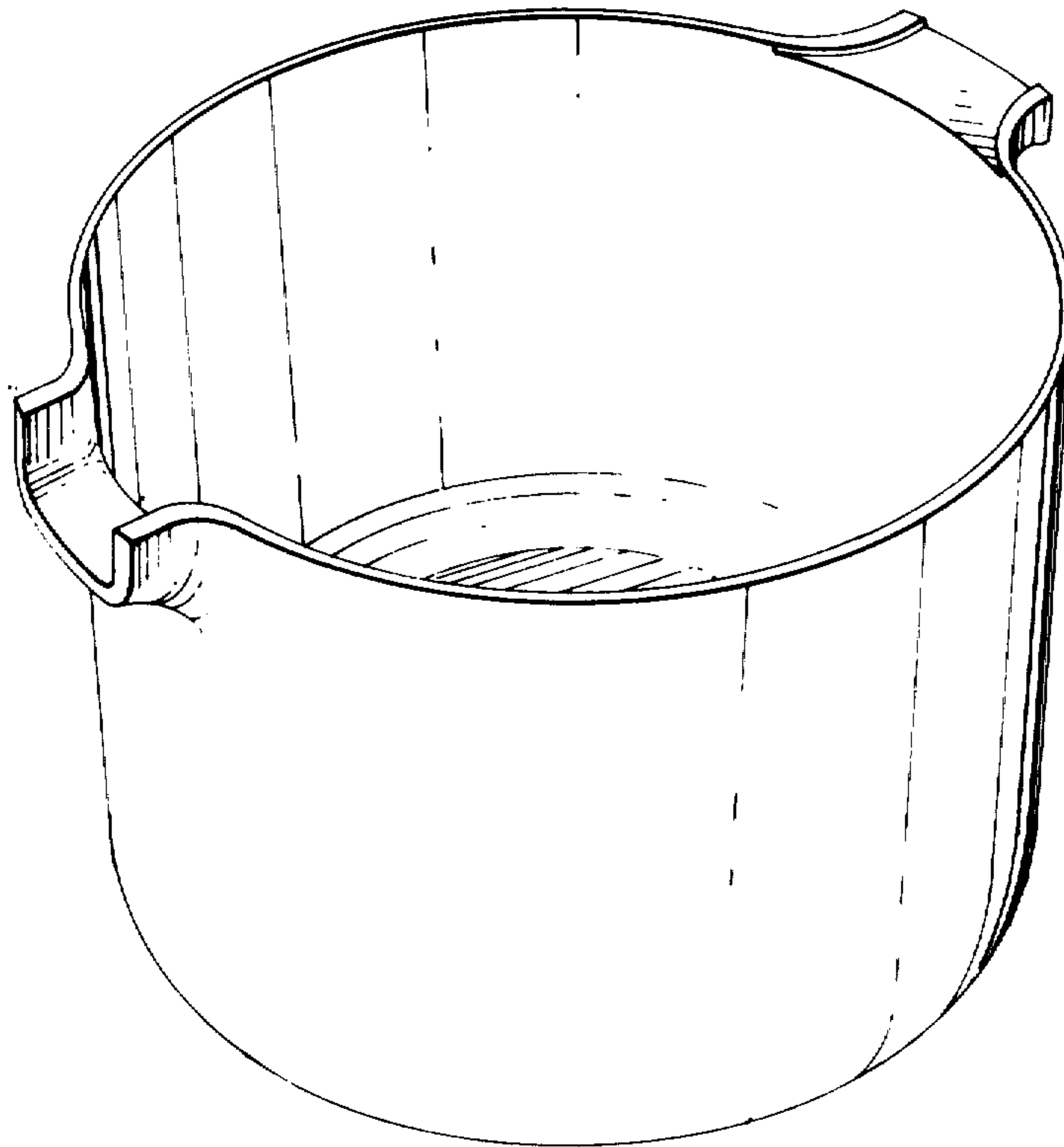
FIG. 2 is a side elevational view thereof;

FIG. 3 is a rear elevational view thereof;

FIG. 4 is a front elevational view thereof; and

FIG. 5 is a top view thereof.

The bottom is flat and unornamented.



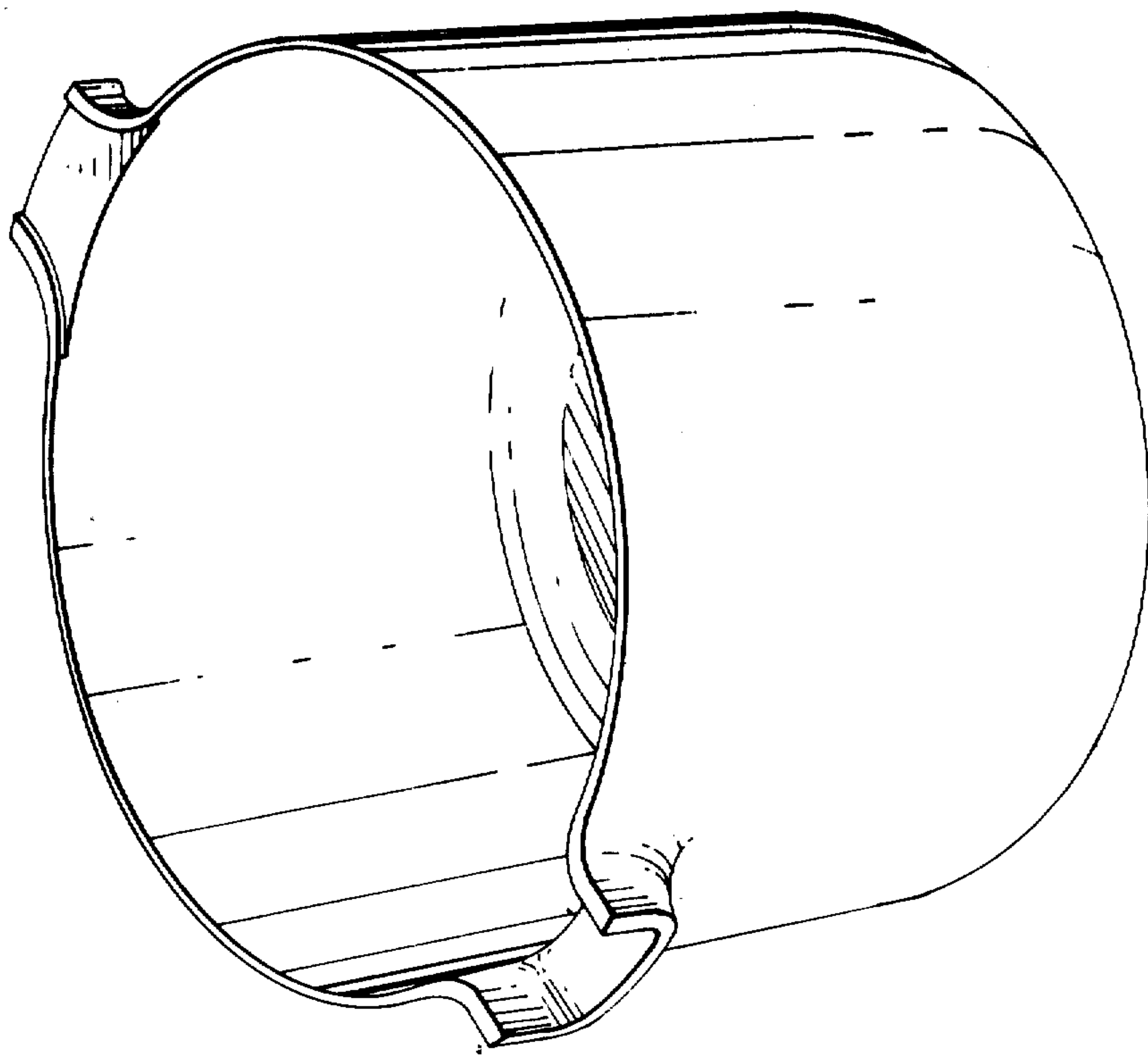


fig-1

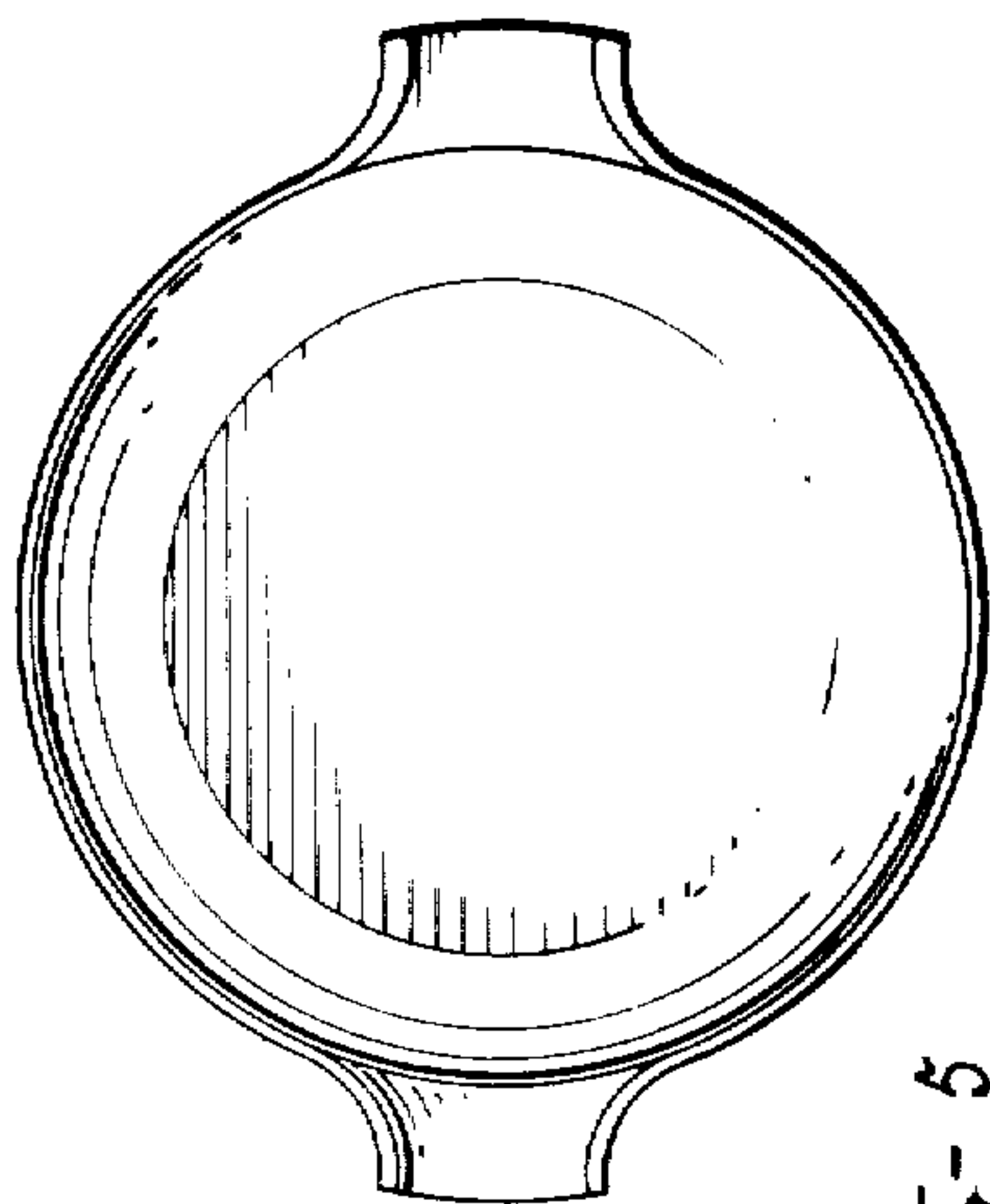


fig-5

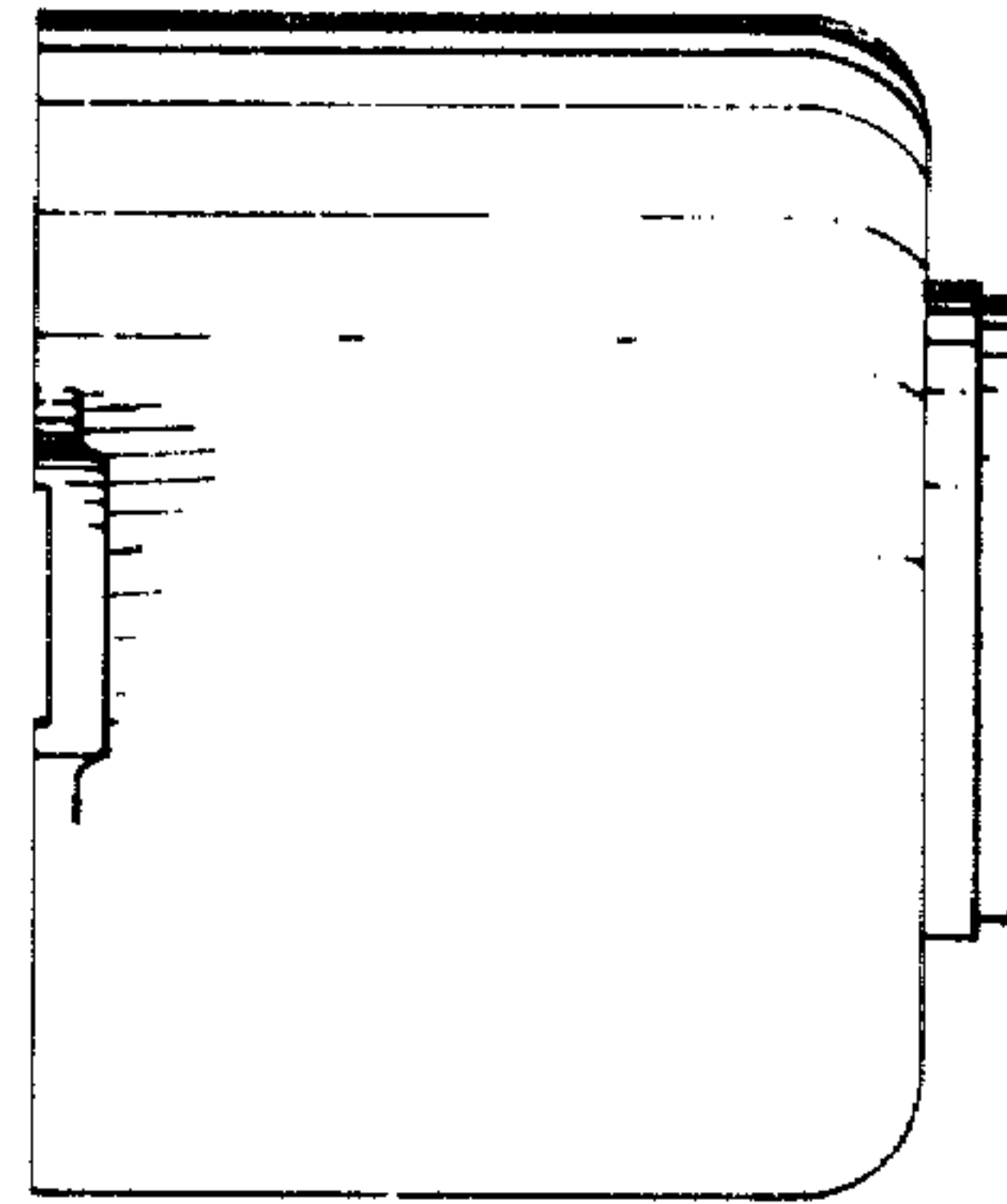


fig-3

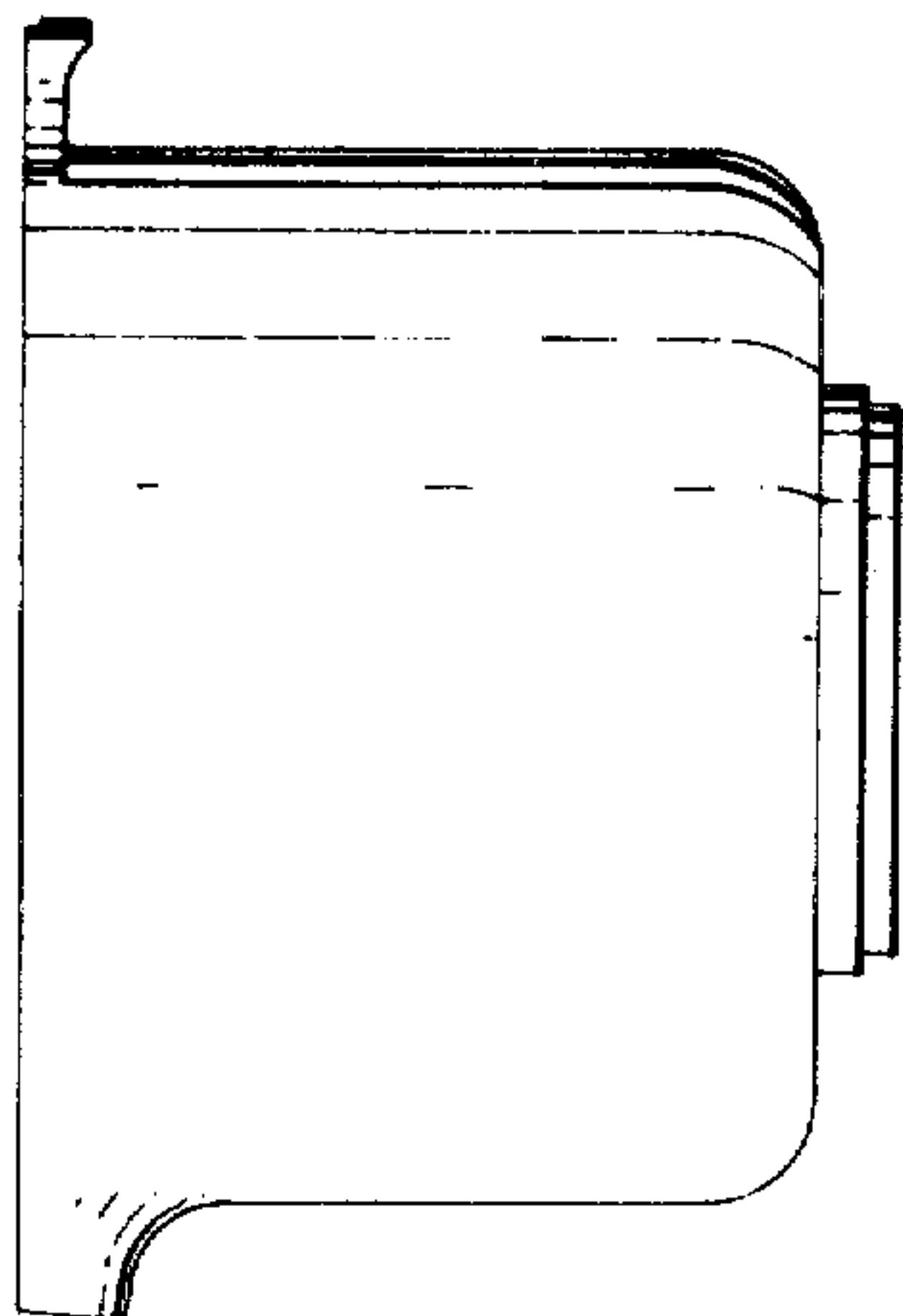


fig-2

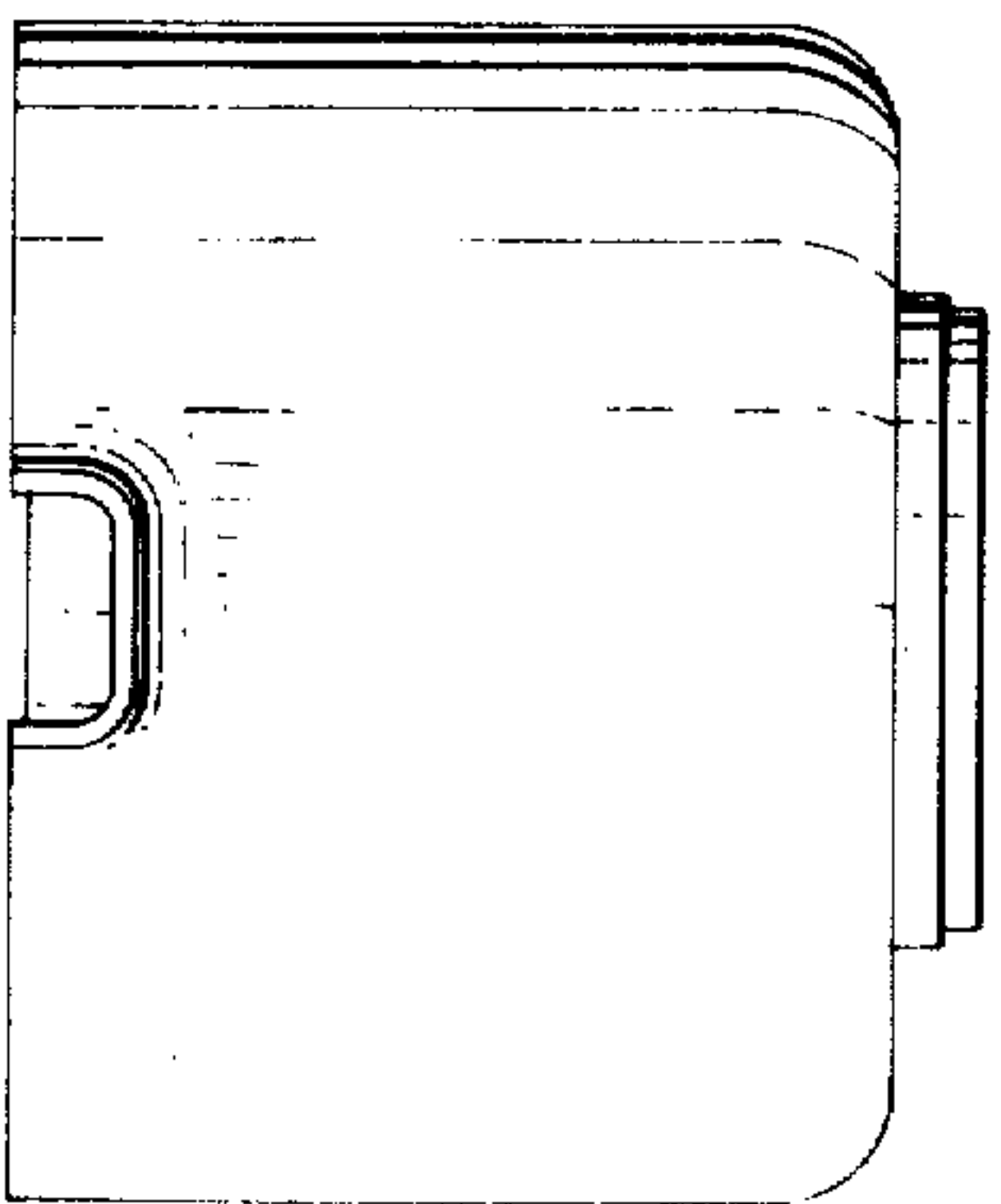


fig-4