

[54] **CUP**

[75] **Inventors:** **Bryan E. C. Lack**, Banbury; **Robert E. Coles**, Leamington Spa, both of England

[73] **Assignee:** **General Foods Ltd.**, Oxfordshire, England

[\*\*] **Term:** **14 Years**

[21] **Appl. No.:** **26,072**

[22] **Filed:** **Apr. 2, 1979**

[30] **Foreign Application Priority Data**

Oct. 6, 1978 [GB] United Kingdom ..... 986742

[51] **Int. Cl.** ..... **D7-01**

[52] **U.S. Cl.** ..... **D7/6**

[58] **Field of Search** ..... **D7/3, 9, 6, 14; D9/220; 229/1.5 B**

[56]

**References Cited**

**U.S. PATENT DOCUMENTS**

|           |        |                 |       |             |
|-----------|--------|-----------------|-------|-------------|
| 3,139,213 | 6/1964 | Edwards         | ..... | D7/6 X      |
| 3,178,051 | 4/1965 | Edwards         | ..... | 229/1.5 B X |
| 3,327,895 | 6/1967 | Mueller         | ..... | D7/15 X     |
| 3,375,954 | 4/1968 | Honkanen et al. | ..... | D9/220 X    |

*Primary Examiner*—Leland A. Sebastian

*Attorney, Agent, or Firm*—Kenyon & Kenyon

[57]

**CLAIM**

The ornamental design for a cup, substantially as shown.

**DESCRIPTION**

FIG. 1 is a bottom rear side perspective view of a cup showing our new design;

FIG. 2 is a side elevational view thereof; and

FIG. 3 is a top front side perspective view thereof.

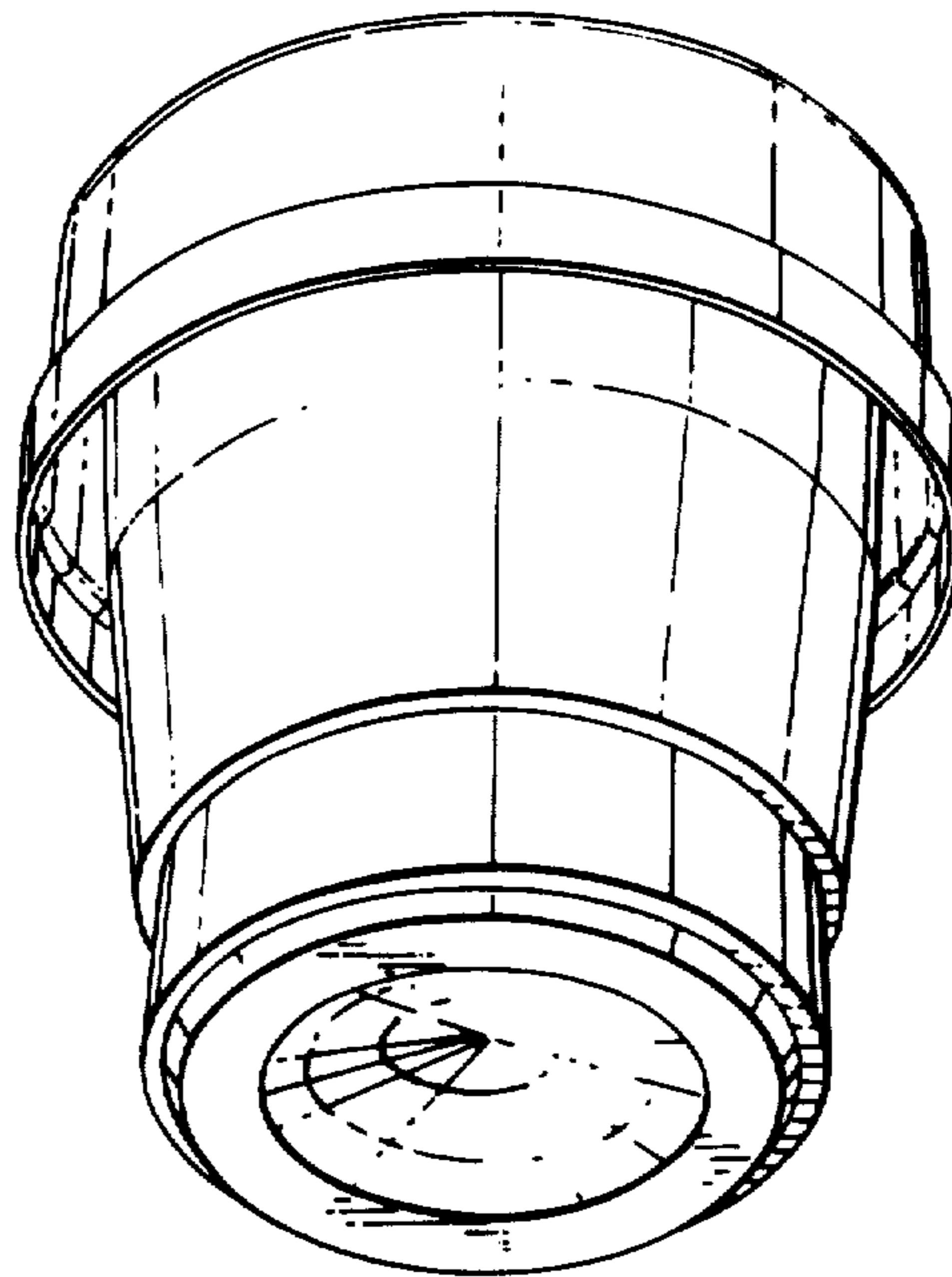


FIG. 1.

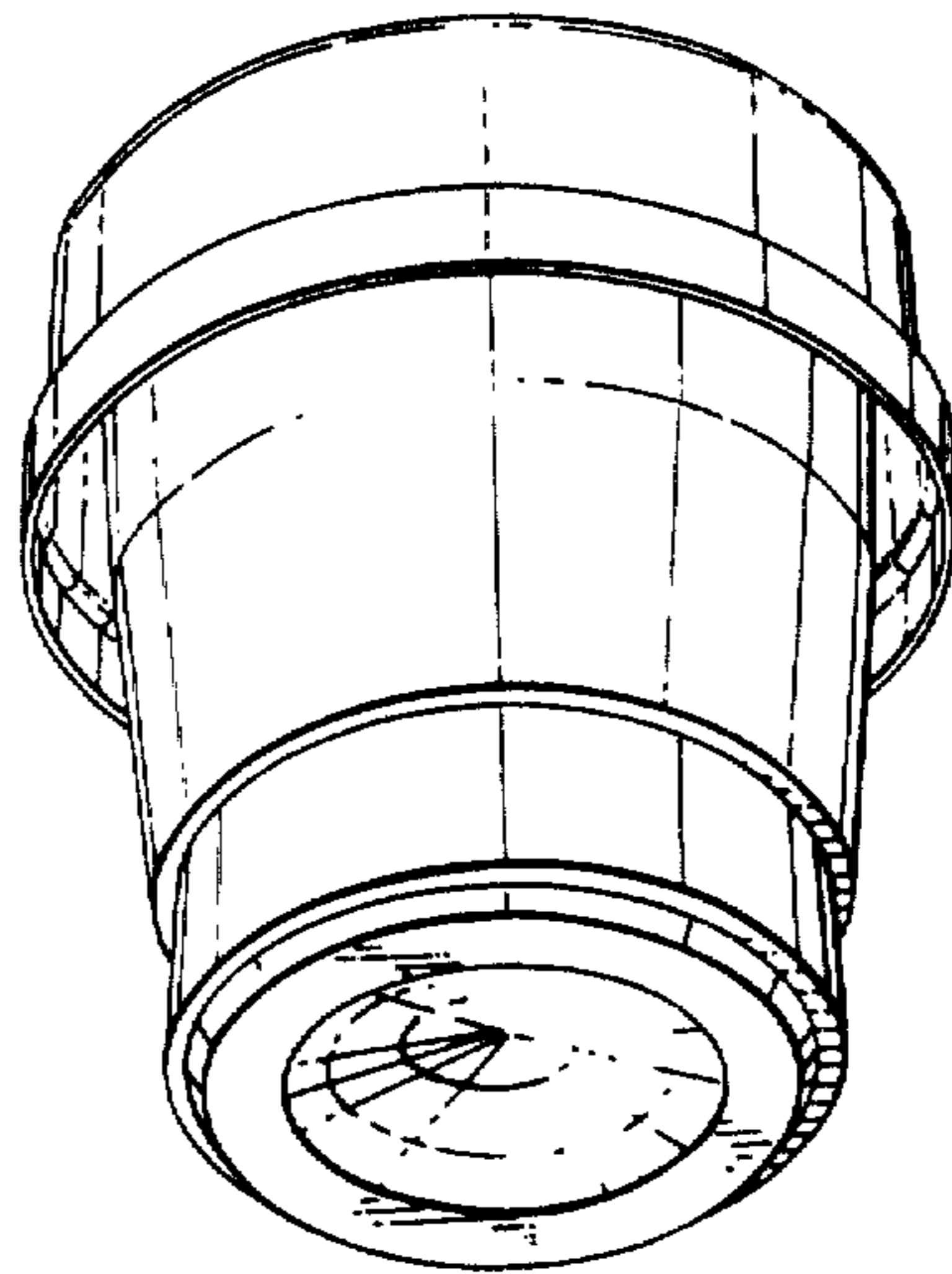


FIG. 2.

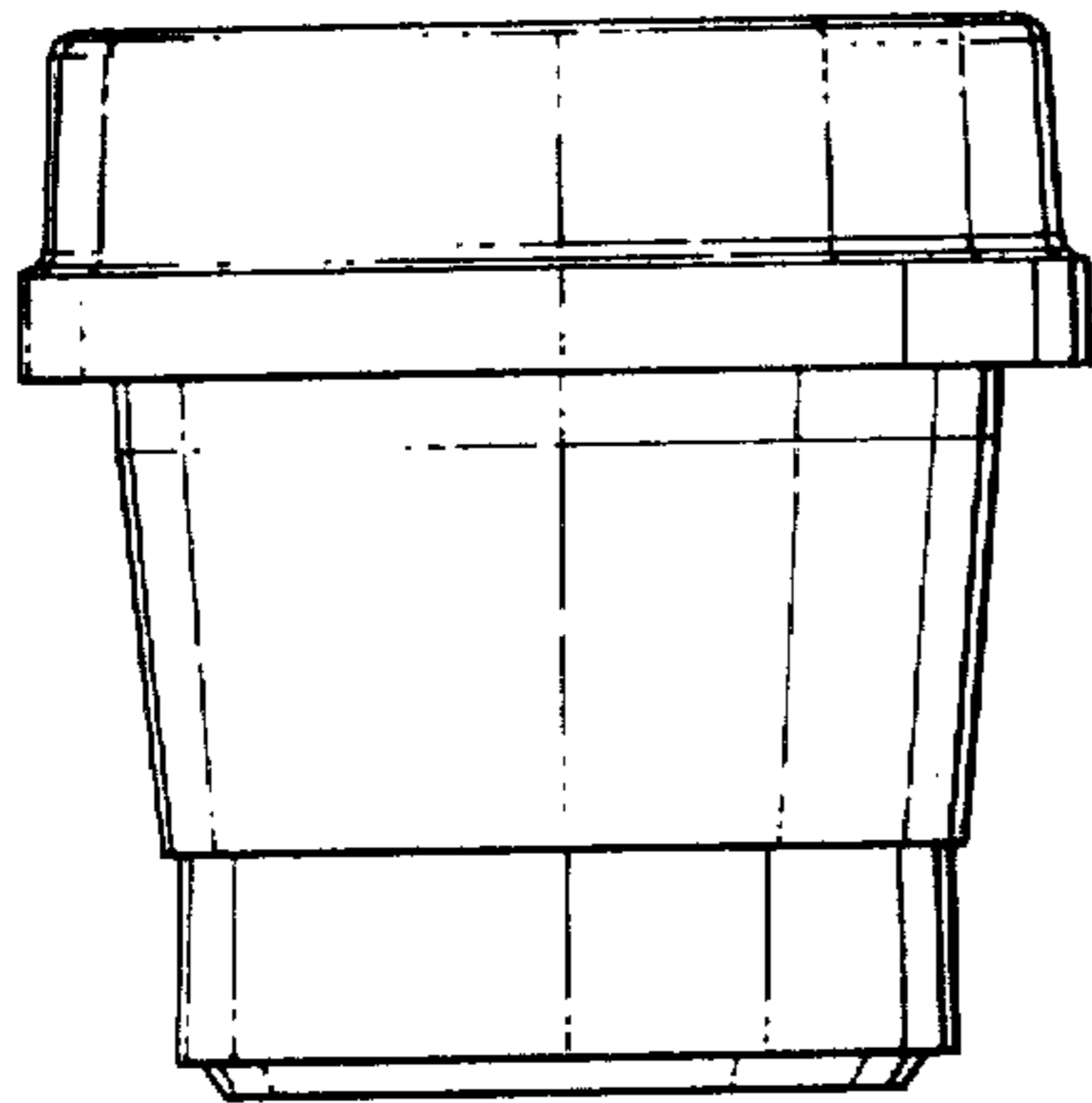


FIG. 3.

