

[54] ARMCHAIR

[76] Inventor: David L. Rowland, 8 E. 62nd St., New York, N.Y. 10021

[\*\*] Term: 14 Years

[21] Appl. No.: 47,482

[22] Filed: Jun. 11, 1979

[51] Int. Cl. .... D6-01

[52] U.S. Cl. .... D6/69

[58] Field of Search ..... D6/47-78; 297/239, 245

[56] References Cited

U.S. PATENT DOCUMENTS

- D. 95,411 4/1935 Goldberg ..... D6/69
- D. 237,847 12/1975 Sklaroff ..... D6/75 X
- D. 256,744 9/1980 Mark ..... D6/69

FOREIGN PATENT DOCUMENTS

- 2619037 1/1977 Fed. Rep. of Germany ..... 355/297

OTHER PUBLICATIONS

Domvs, Jan. 1961, p. 53, chair, bottom left. "Concept" by Cosco, side chair, upper right. Circa Catalog pp. 4 and 5; chair on market in 1976, according to information and belief.

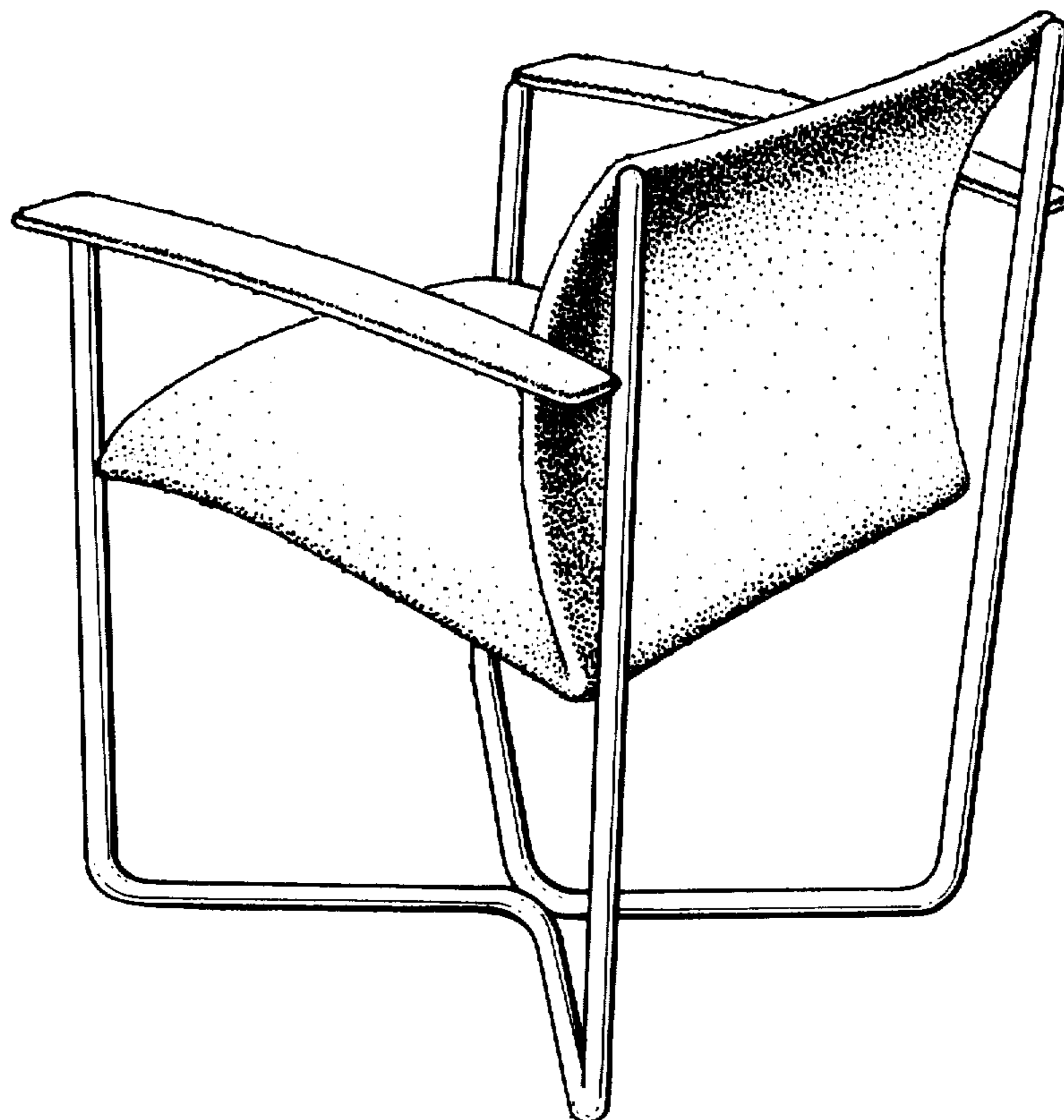
Primary Examiner—Bruce W. Dunkins  
Attorney, Agent, or Firm—Owen, Wickersham & Erickson

[57] CLAIM

The ornamental design for an armchair, substantially as shown.

DESCRIPTION

FIG. 1 is a perspective view of an armchair showing my new design.  
 FIG. 2 is a perspective view of the same from a different viewpoint.  
 FIG. 3 is a frontal perspective view of the same looking from above.  
 FIG. 4 is a perspective view of the same from above and at one side.  
 FIG. 5 is a rear perspective view of the same looking down from above.



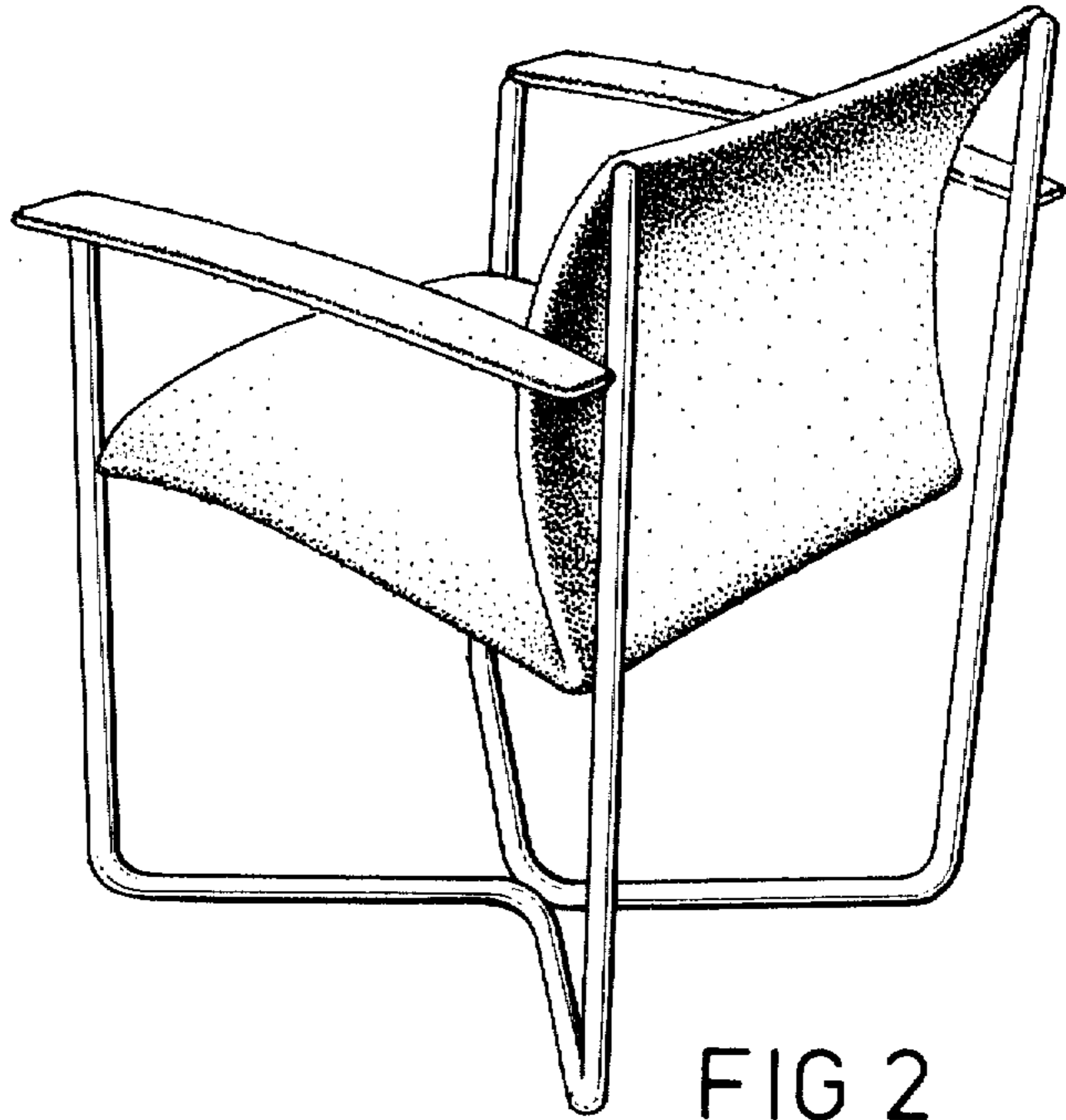


FIG 2

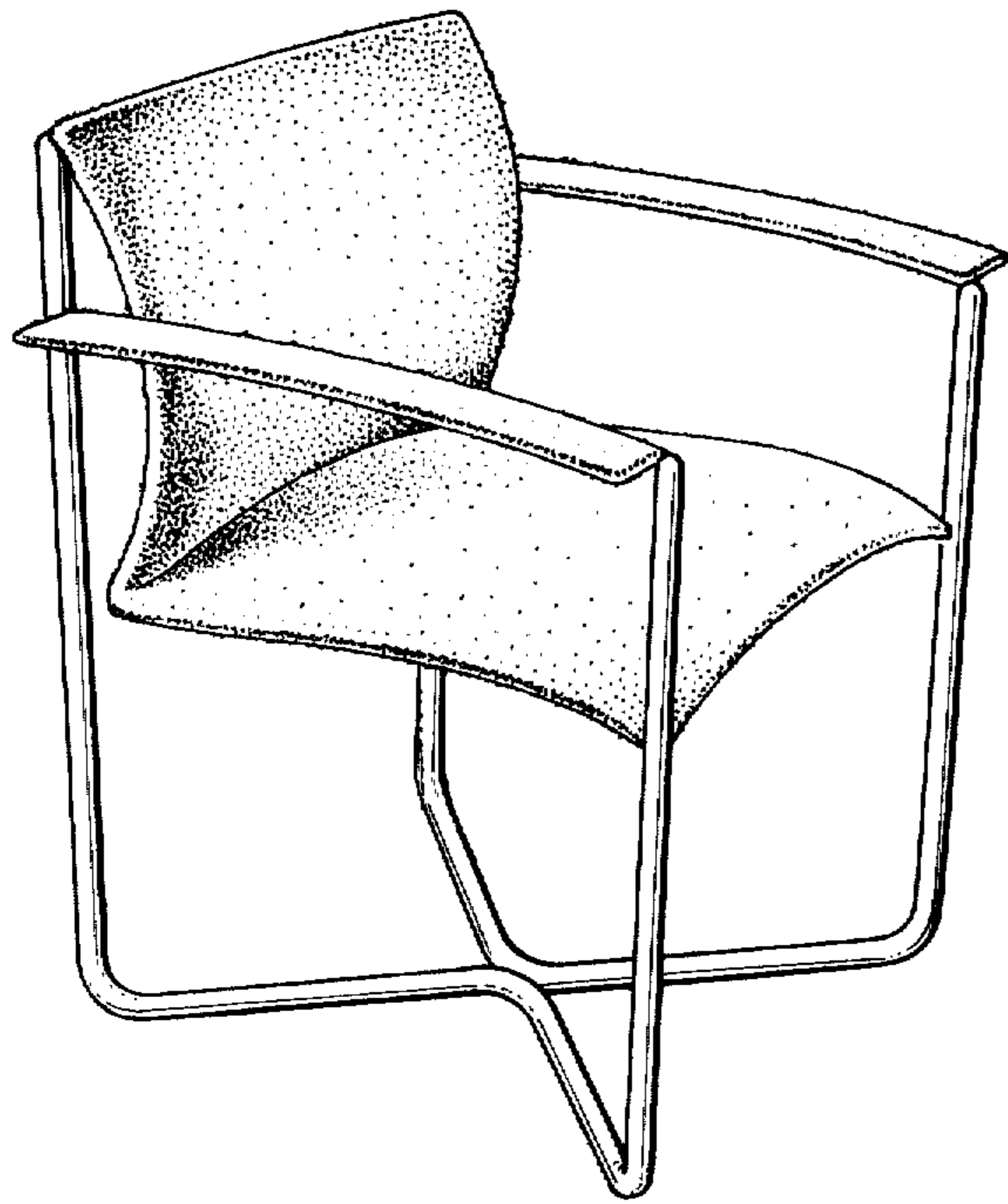


FIG 1

FIG 3

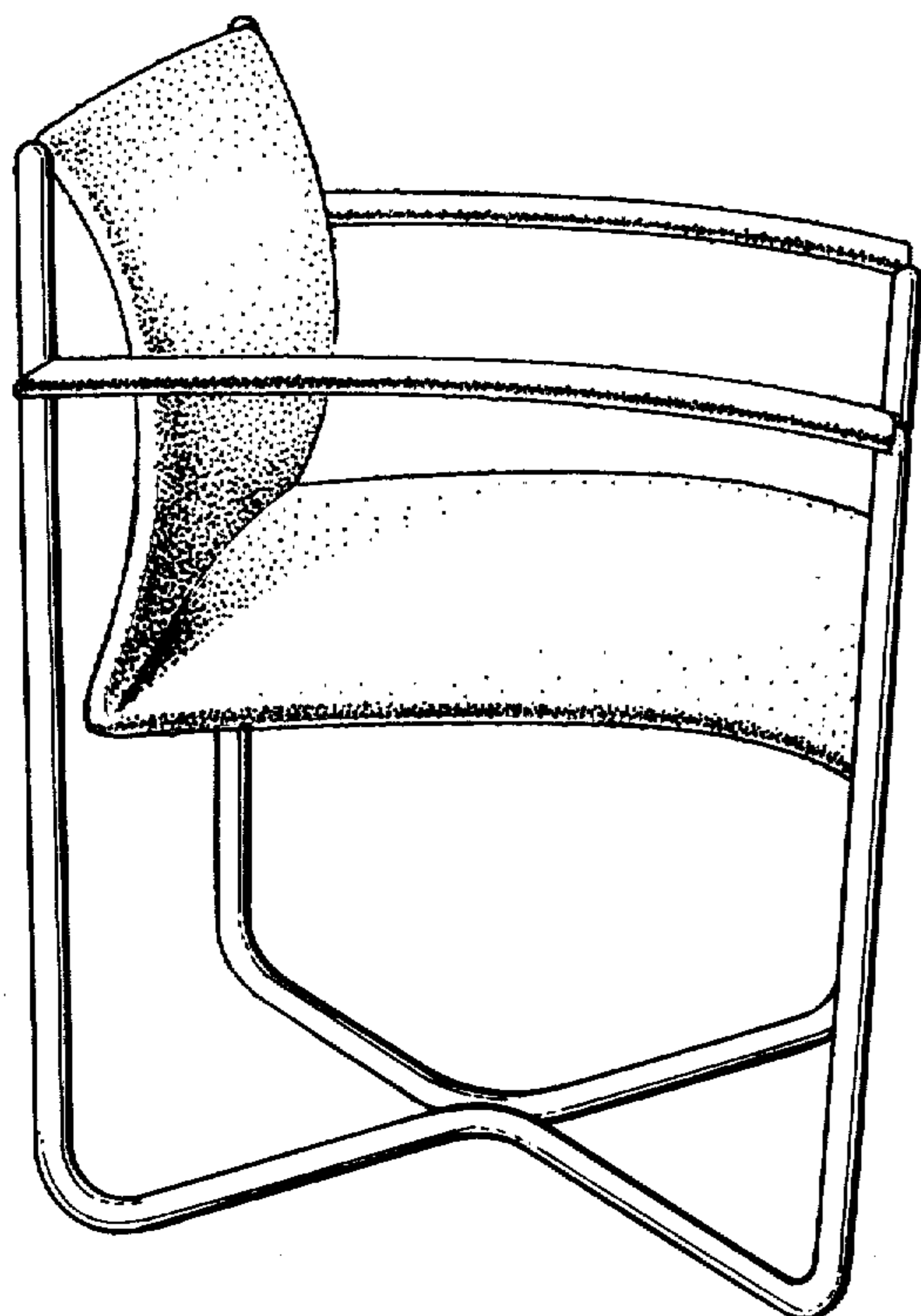
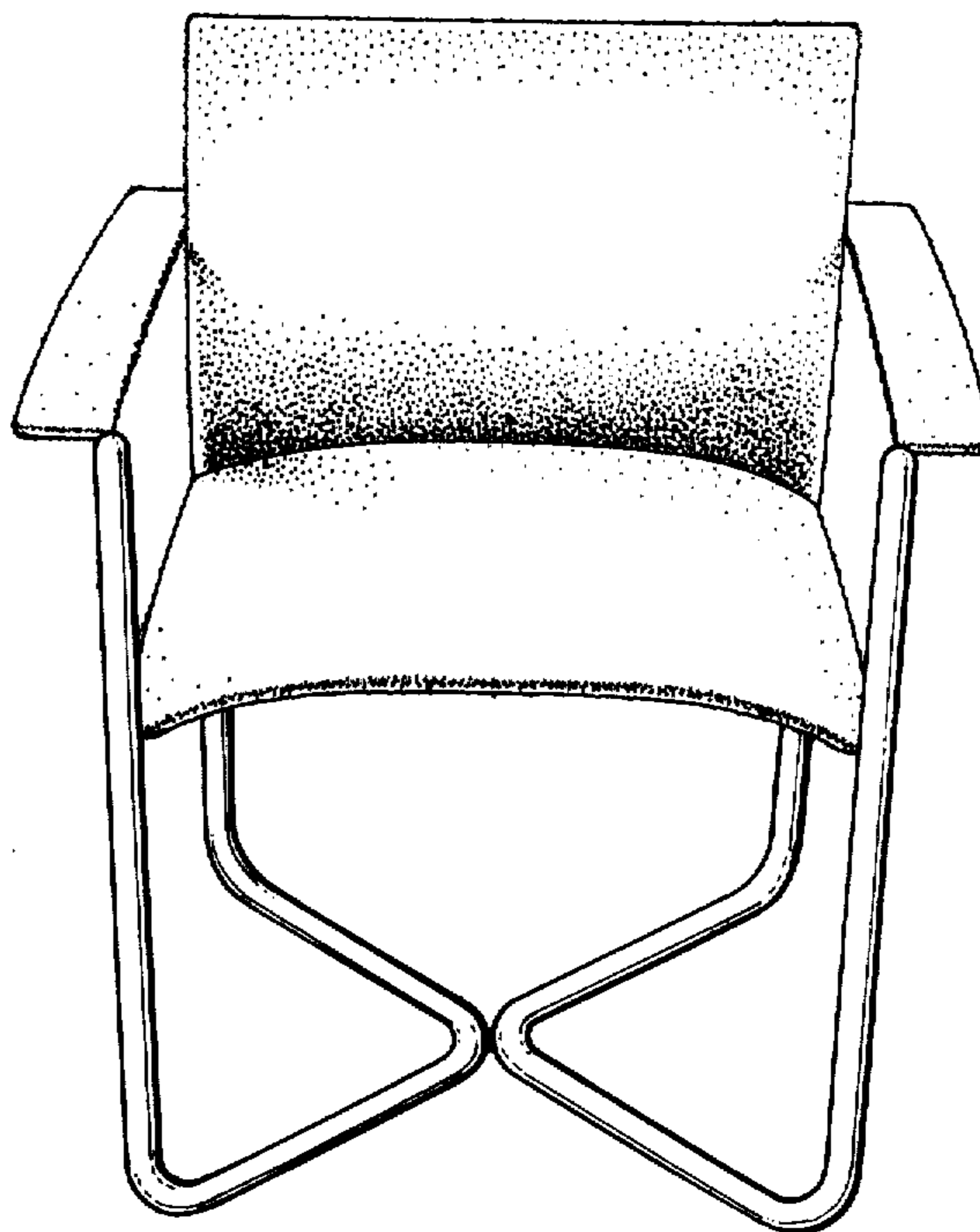


FIG 4

FIG 5

