

[54] AIR POWERED ROTARY SCRUBBING BRUSH

[75] Inventor: Martin Wellin, Oak Park, Mich.

[73] Assignee: U.S. Industrial Tool & Supply Co., Detroit, Mich.

[\*\*] Term: 14 Years

[21] Appl. No.: 6,321

[22] Filed: Jan. 25, 1979

[51] Int. Cl. .... D4-01

[52] U.S. Cl. .... D4/02

[58] Field of Search ..... D4/1-4, D4/10-12, 38.1; 15/23, 24, 230.11

[56] References Cited

U.S. PATENT DOCUMENTS

2,654,107	10/1953	Magoon	15/230.11	X
2,723,407	11/1955	Bardon	15/24	
3,172,138	3/1965	Price	15/23	X
4,102,290	7/1978	Weiss	15/24	X
4,204,292	5/1980	Lester et al.	15/28	

FOREIGN PATENT DOCUMENTS

570134 12/1975 Switzerland ..... 15/24

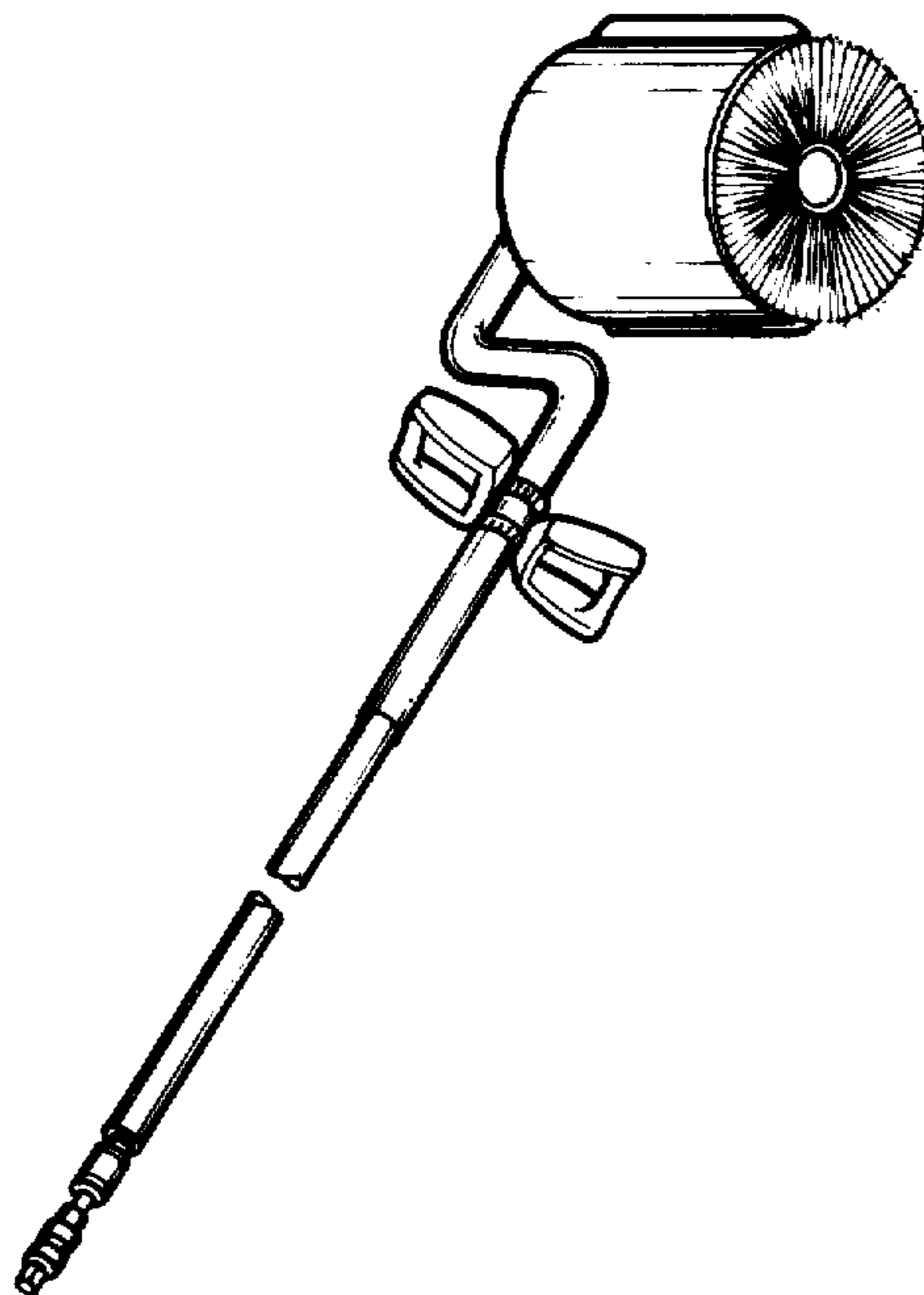
Primary Examiner—Catherine E. Kemper  
Attorney, Agent, or Firm—Krass, Young & Schivley

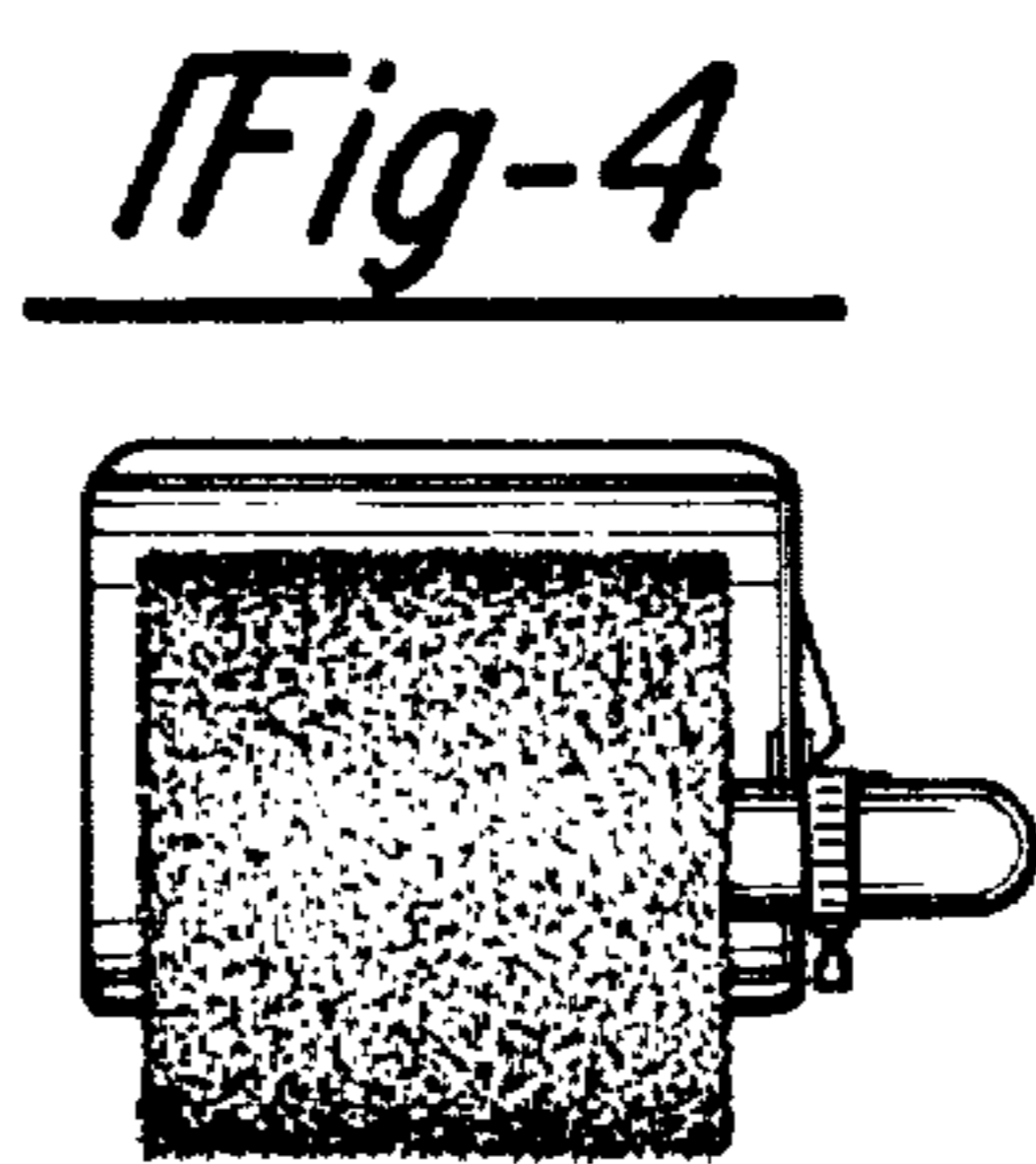
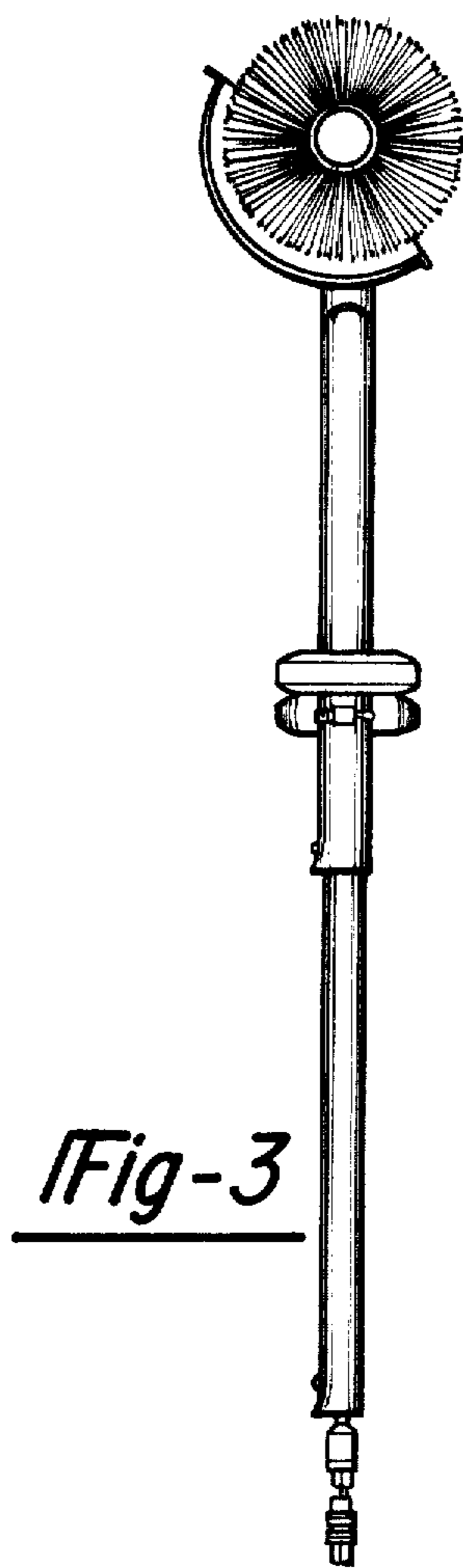
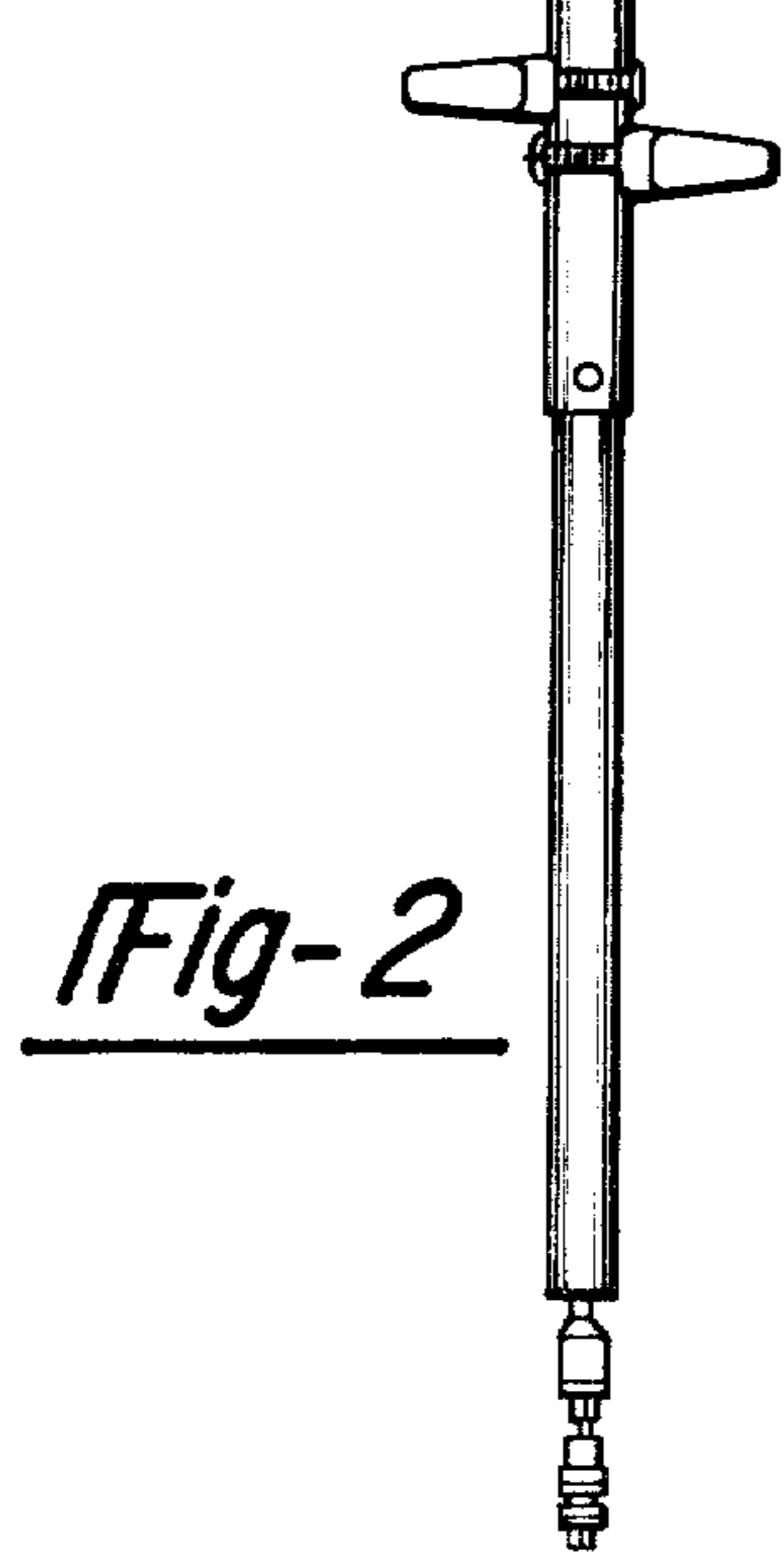
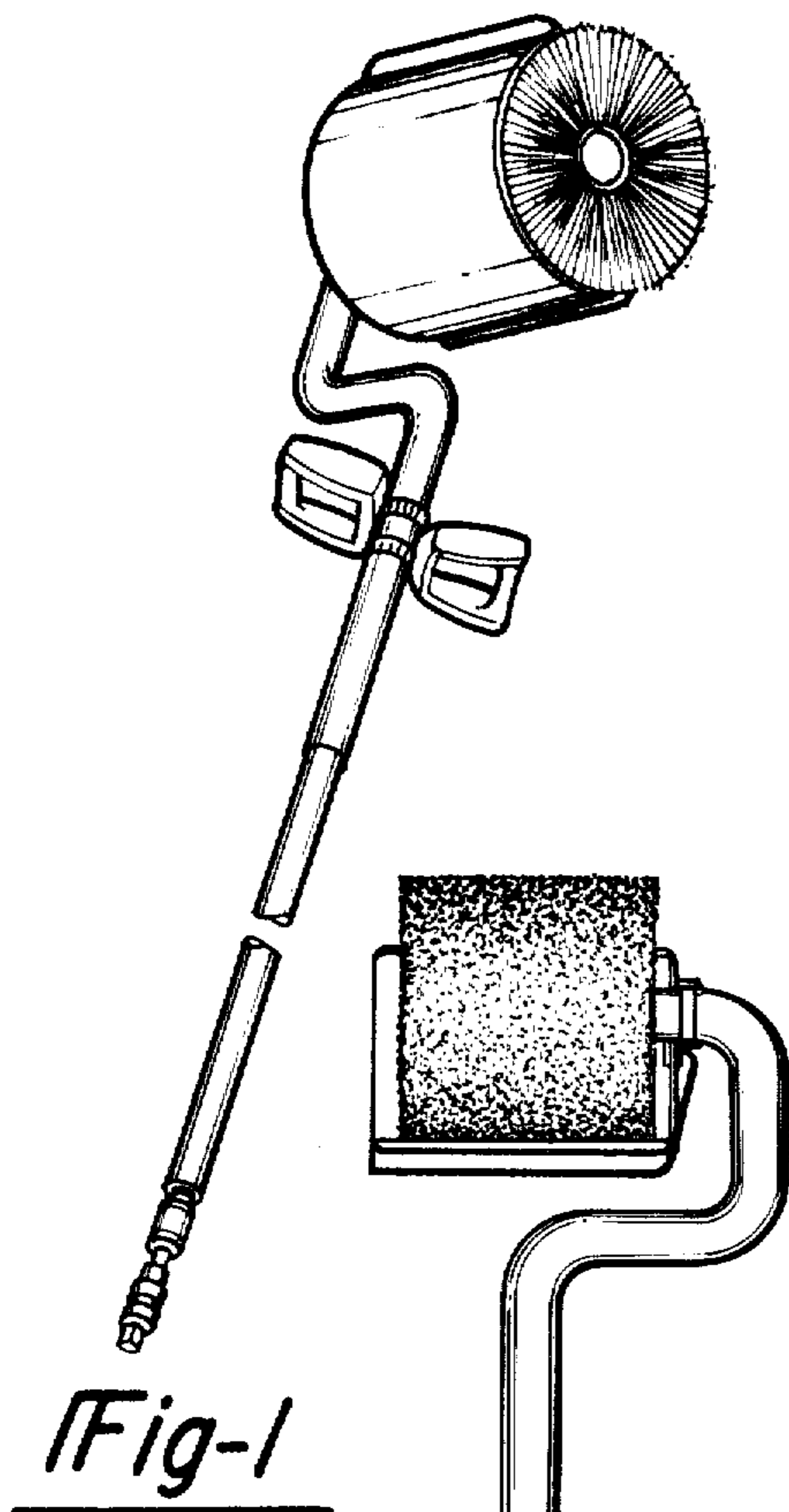
[57] CLAIM

The ornamental design for an air powered rotary scrubbing brush, as shown and described.

DESCRIPTION

FIG. 1 is a perspective view of an air powered rotary scrubbing brush, showing my new design;  
 FIG. 2 is a front elevational view thereof;  
 FIG. 3 is a right side elevational view thereof;  
 FIG. 4 is a top plan view thereof;  
 FIG. 5 is a left side elevational view thereof;  
 FIG. 6 is a rear elevational view thereof;  
 FIG. 7 is a bottom plan view thereof;  
 FIG. 8 is a right side elevational view of a second embodiment of an air powered rotary scrubbing brush, wherein the only difference resides in the configuration of the handle element;  
 FIG. 9 is a bottom plan view thereof.





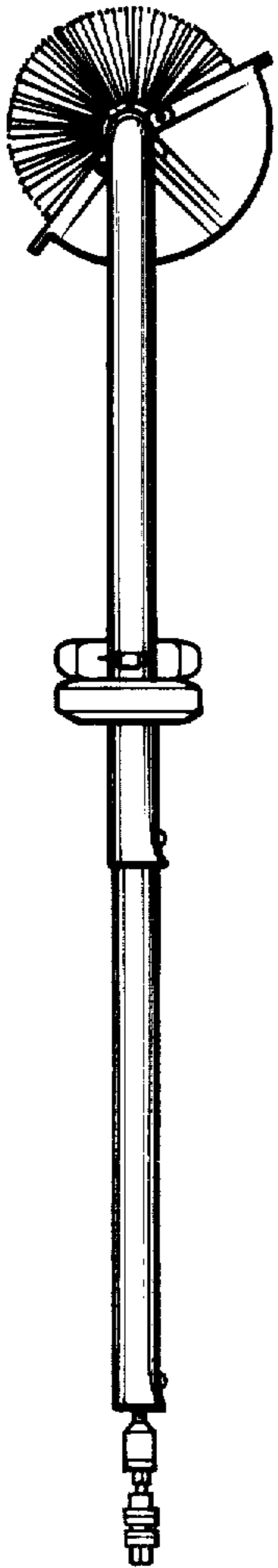


Fig-5

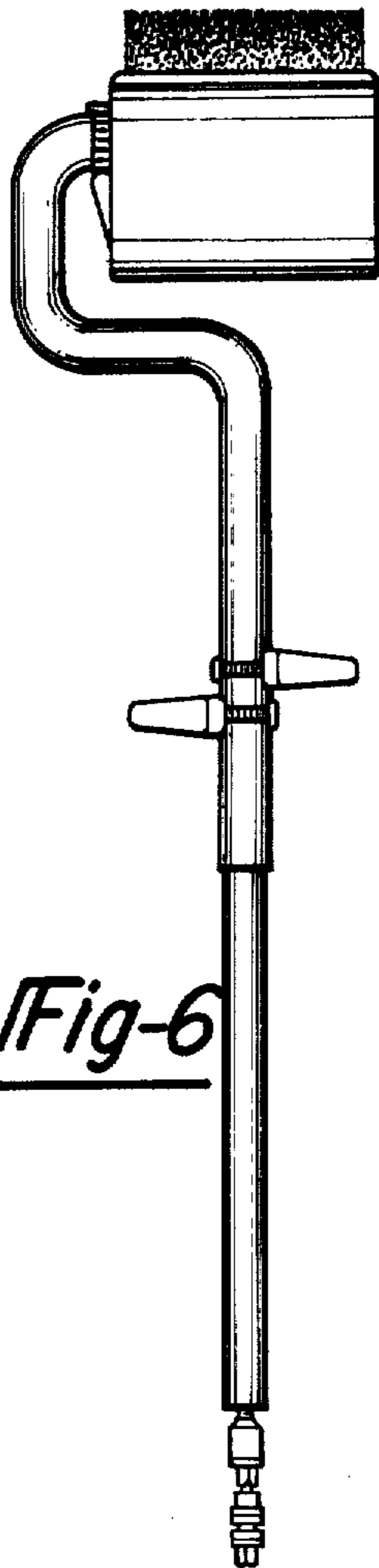


Fig-6

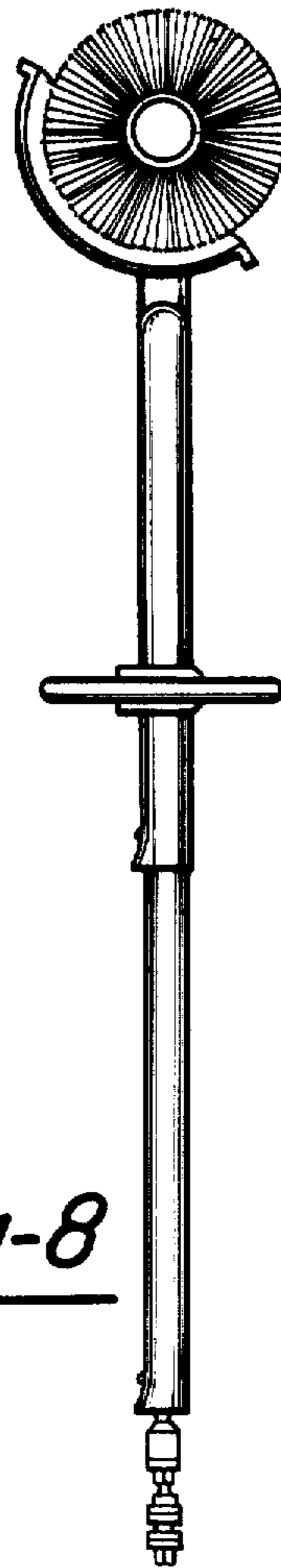


Fig-8

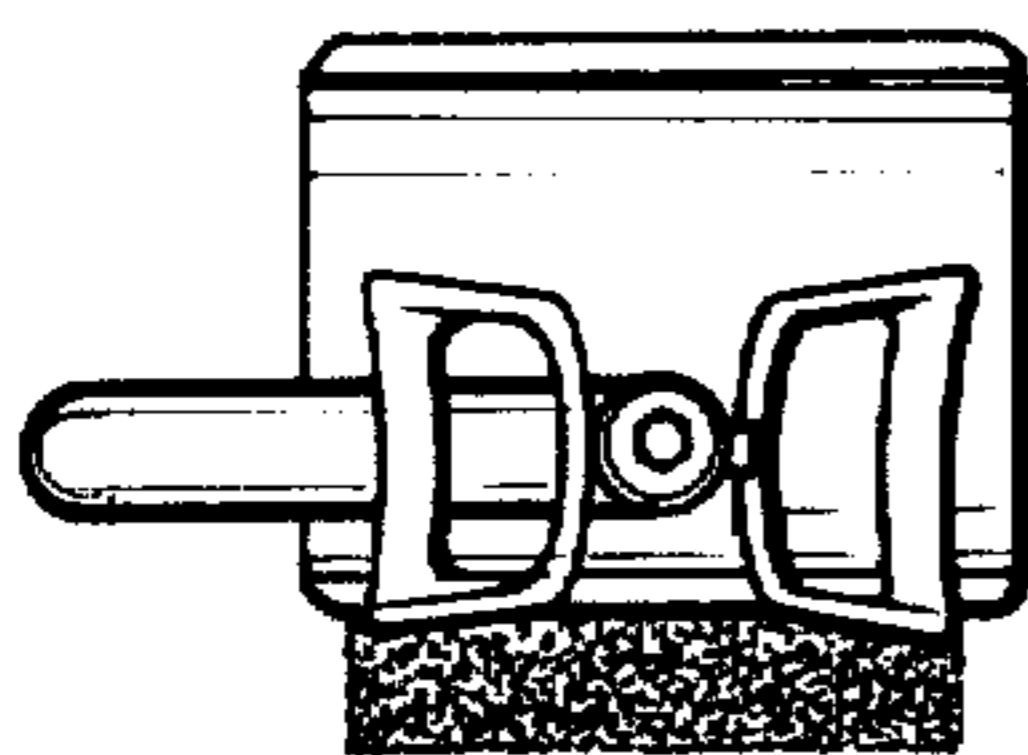


Fig-7

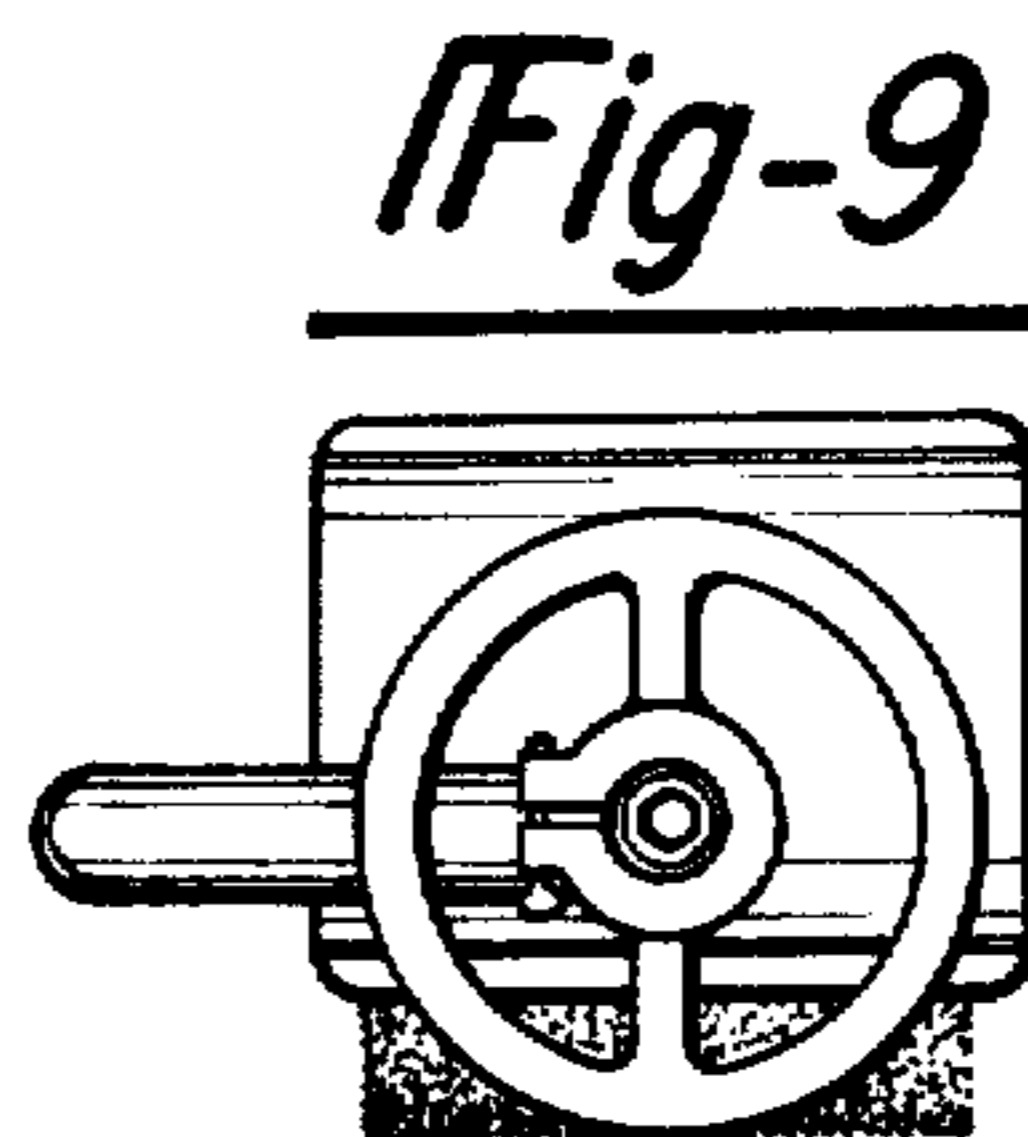


Fig-9