

[54] **HAND KNITTER'S SUPPORT STAND FOR YARN PACKAGES**

[75] **Inventor: Milton E. Tager, Gastonia, N.C.**

[73] **Assignee: Delaine Worsted Mills, Inc., Gastonia, N.C.**

[**] **Term: 14 Years**

[21] **Appl. No.: 34,462**

[22] **Filed: Apr. 30, 1979**

[51] **Int. Cl. D02-99**

[52] **U.S. Cl. D3/23; D3/26; D6/186**

[58] **Field of Search** D6/181, 184, 185, 186, D6/187, 188, 189, 85; 108/91, 59, 107; 211/126, 186, 135; 224/45 R; D9/193; 312/107, 108; 223/106, 107, 108, 120; D3/18, 20, 23, 26

[56] **References Cited**

U.S. PATENT DOCUMENTS

D. 30,064 1/1899 Andreen 211/135
 D. 234,894 4/1975 Vandenbeuck D6/181

D. 255,194 6/1980 Cohen et al. D6/186
 3,069,216 12/1962 Vaeth 211/186
 3,834,324 9/1974 Lang 108/91
 4,153,311 5/1979 Takahashi 211/186
 4,182,244 1/1980 Hutchins, Jr. et al. D6/186

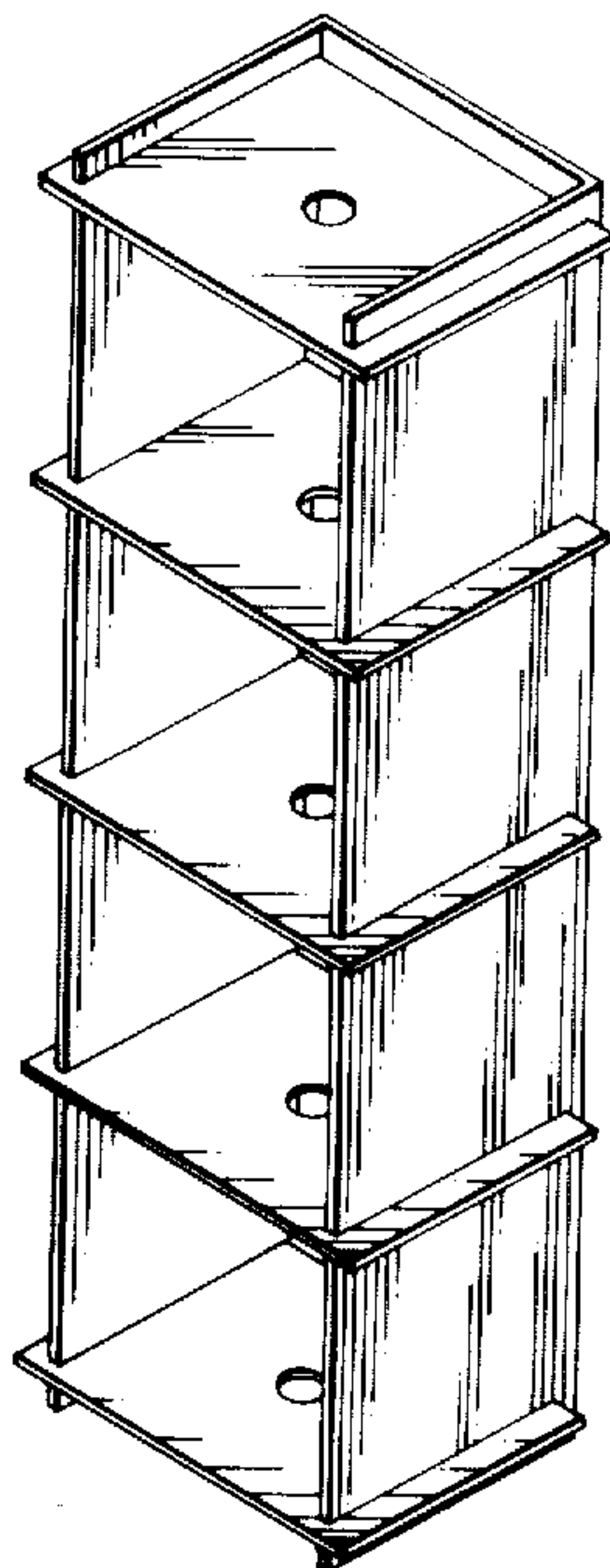
Primary Examiner—George P. Word
Assistant Examiner—Carmen H. Vales
Attorney, Agent, or Firm—Bell, Seltzer, Park & Gibson

[57] **CLAIM**

The ornamental design for hand knitter's support stand for yarn packages, substantially as shown and described.

DESCRIPTION

FIG. 1 is a perspective view of the hand knitter's support stand for yarn packages showing my new design; FIG. 2 is a front elevational view thereof on a reduced scale; the broken line showing of the spools of yarn being for illustrative purposes only; FIG. 3 is a left end elevational view thereof; the end opposite being substantially a mirror image thereof; and FIG. 4 is a top plan view of FIG. 1. The rear of the hand knitter's support stand for yarn packages is flat and unornamented.



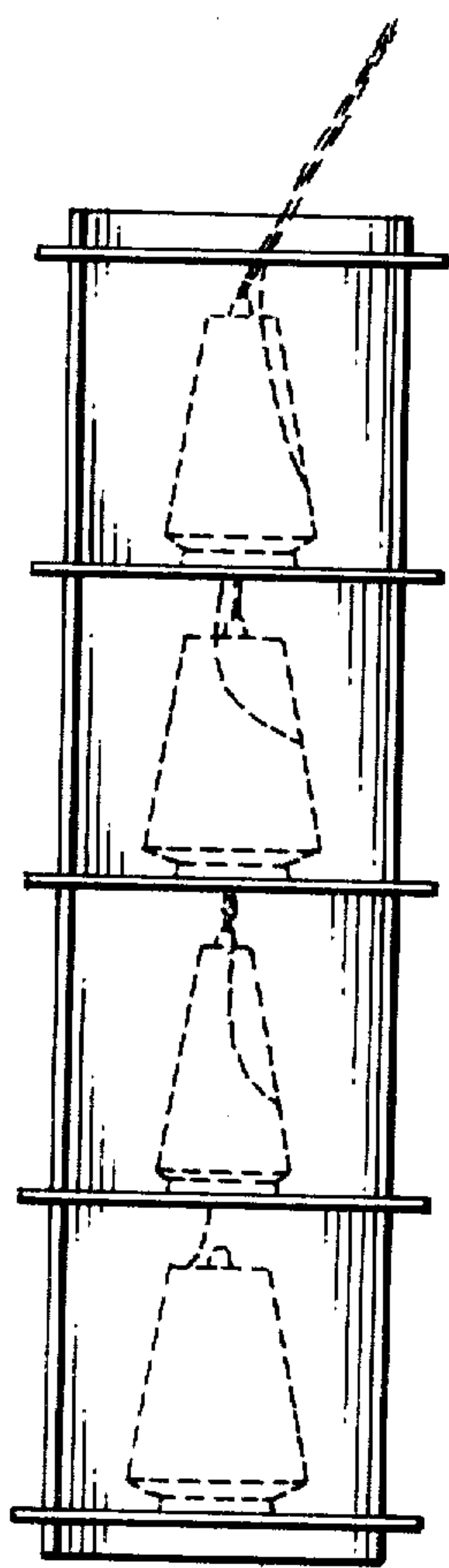


FIG-2

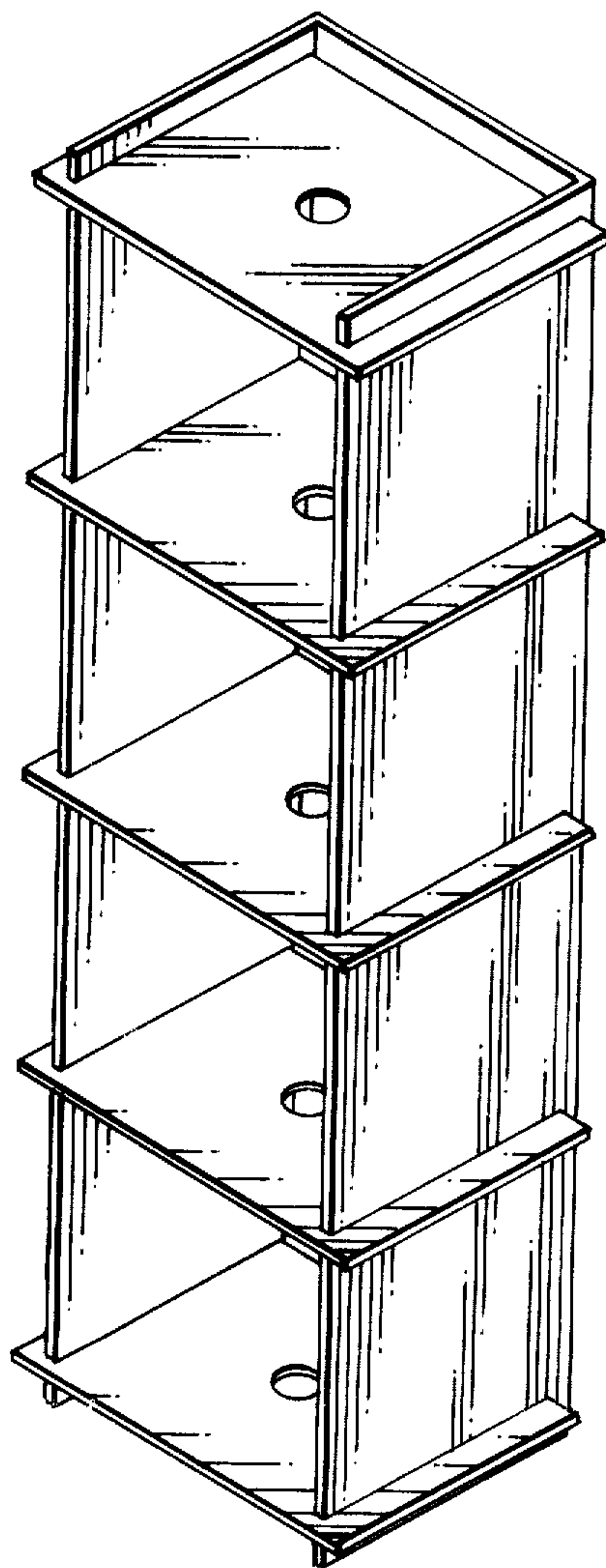


FIG-1

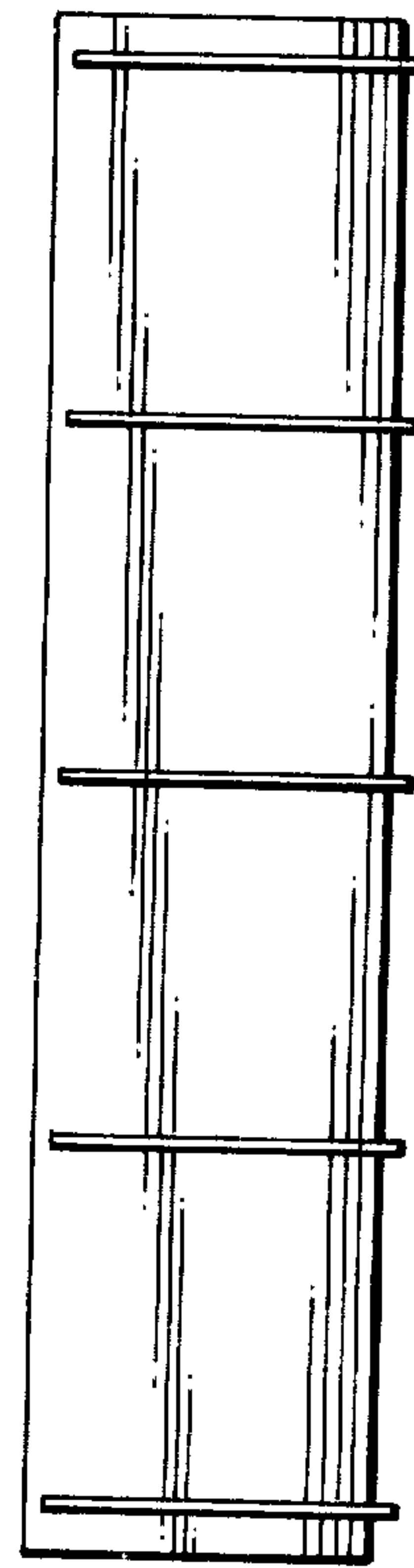


FIG-3

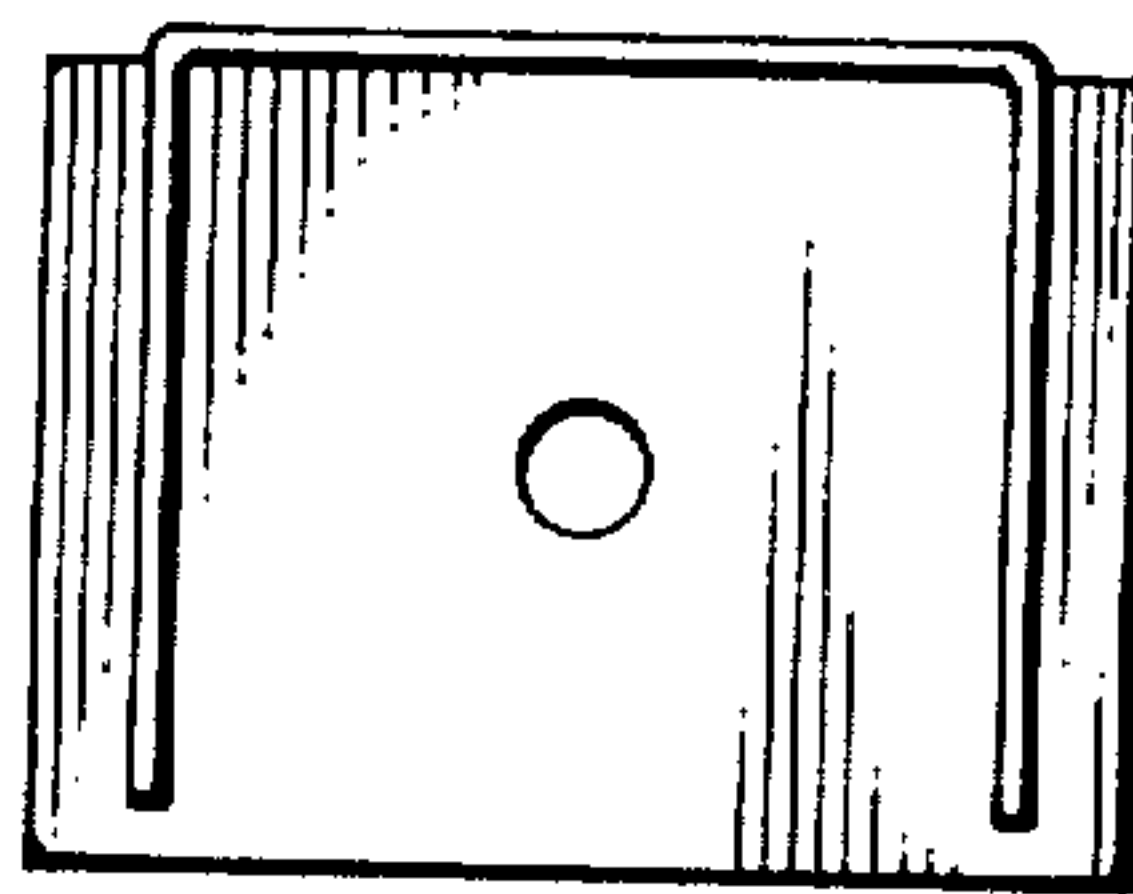


FIG-4