

[54] **TEAT DILATOR**

[76] **Inventor:** Mark L. Anderson, R.R. 2,  
Elmwood, Wis. 54740

[\*\*] **Term:** 14 Years

[21] **Appl. No.:** 89,854

[22] **Filed:** Oct. 31, 1979

[51] **Int. Cl.** ..... D24—02

[52] **U.S. Cl.** ..... D24/23; D24/54;  
D24/99; 119/14.21; 128/348

[58] **Field of Search** ..... 128/348, 350 R;  
119/14.19, 14.2, 14.21; D24/54, 61, 99, 23

[56]

**References Cited**

**U.S. PATENT DOCUMENTS**

D. 232,780	9/1974	Zackheim	.....	D24/23
1,995,051	3/1935	Benson	.....	119/14.21
2,704,076	3/1955	Larson	.....	128/348
3,058,472	10/1962	Thornton, Jr.	.....	128/348
4,236,520	12/1980	Anderson	.....	128/348

*Primary Examiner*—Bernard Ansher

*Attorney, Agent, or Firm*—Edward H. Loveman

[57]

**CLAIM**

The ornamental design for a teat dilator, as shown and described.

**DESCRIPTION**

FIG. 1 is a top plan view of a teat dilator showing my new design;

FIG. 2 is a front elevation view thereof; and

FIG. 3 is a bottom plan view thereof.

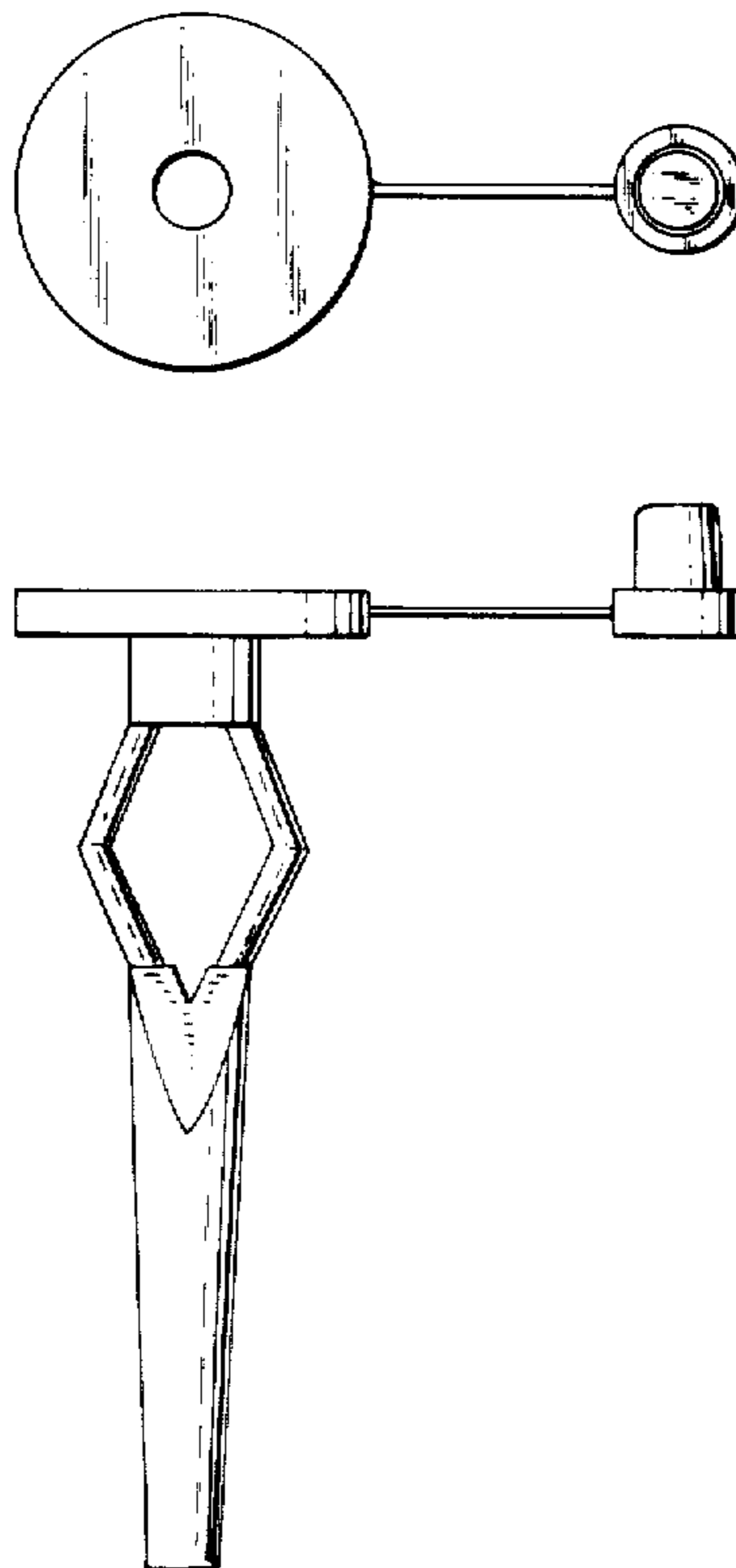


Fig. 1

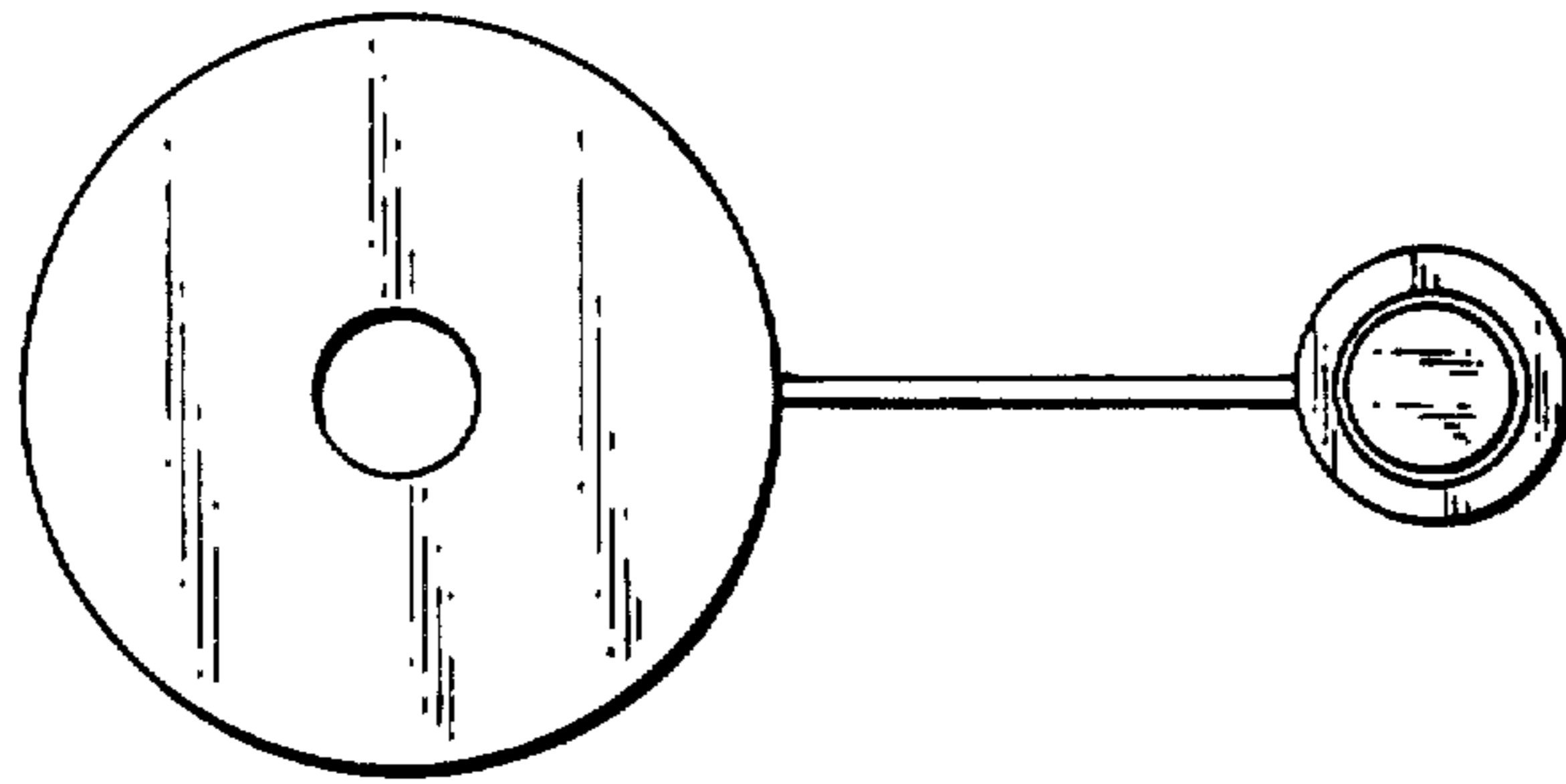


Fig. 2

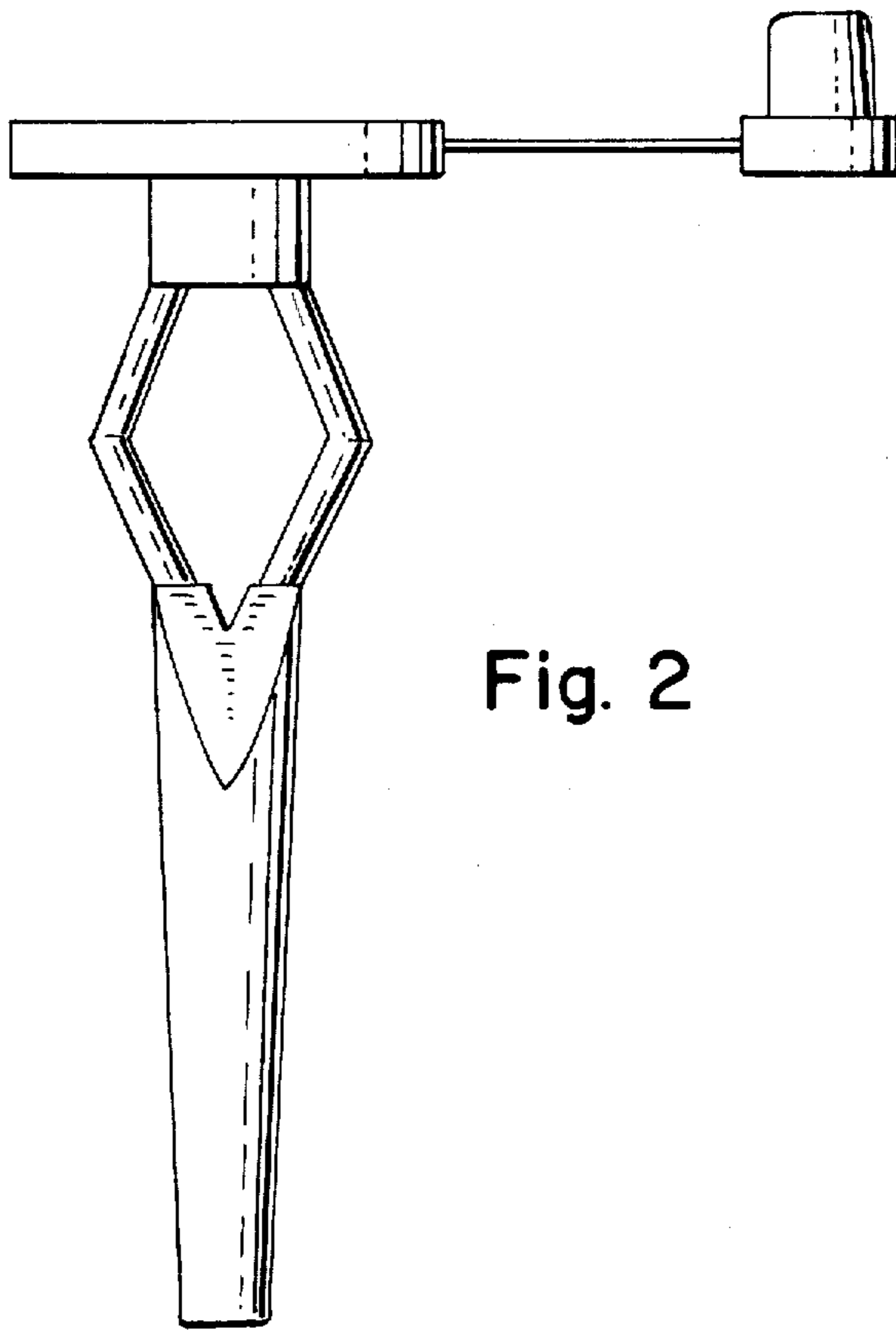


Fig. 3

