

- [54] **INCUBATOR OXYGEN DOME**
[76] Inventor: **John K. Koh**, 2593 Esch, Ann Arbor, Mich. 48104
[**] Term: **14 Years**
[21] Appl. No.: **111,805**
[22] Filed: **Jan. 14, 1980**
[51] Int. Cl. **D24—01**
[52] U.S. Cl. **D24/1.1; D24/99**
[58] Field of Search 128/205.26, 1 D; D24/1.1, 99

4,223,669 9/1980 Morledge 128/205.26 X

OTHER PUBLICATIONS

American Journal of Nursing, Dec. 1975, pp. 2185, 2186, The Oxygen Hood.

Primary Examiner—Bernard Ansher
Attorney, Agent, or Firm—James M. Deimen

[57] **CLAIM**

The ornamental design for an incubator oxygen dome, as shown.

DESCRIPTION

FIG. 1 is a top plan view of the incubator oxygen dome showing my new design;
FIG. 2 is a bottom plan view of the incubator oxygen dome;
FIG. 3 is a side view of the incubator oxygen dome;
FIG. 4 is a front view of the incubator oxygen dome; and,
FIG. 5 is a rear view of the incubator oxygen dome.

[56] **References Cited**
U.S. PATENT DOCUMENTS

- D. 247,720 4/1978 Wilhelm D24/99
D. 255,833 7/1980 Crandall D24/1.1
3,710,791 1/1973 Deaton 128/205.26
3,889,670 6/1975 Loveland et al. 128/205.26 X
4,181,129 1/1980 Cameto et al. 128/205.26

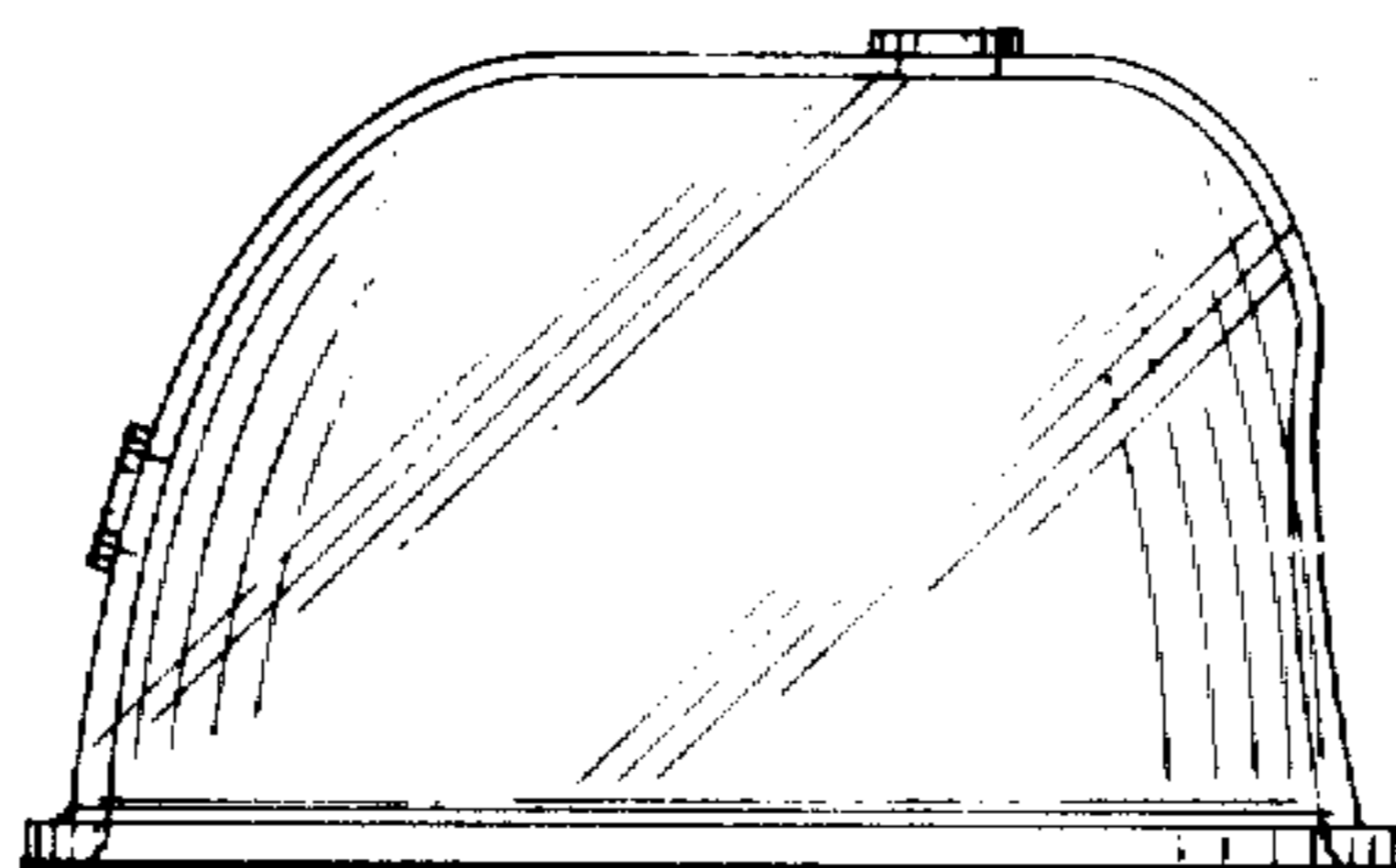
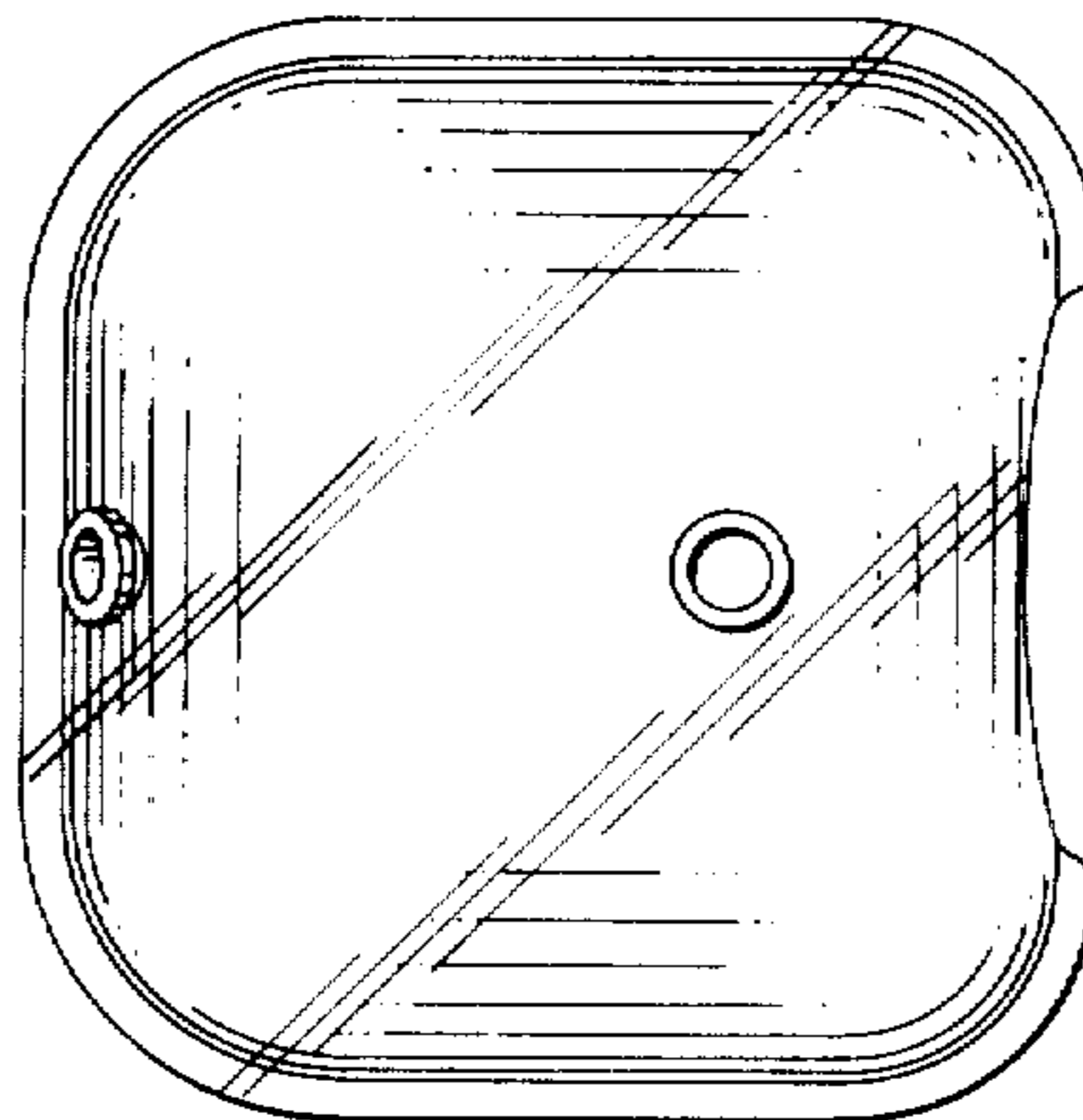


FIG. 1

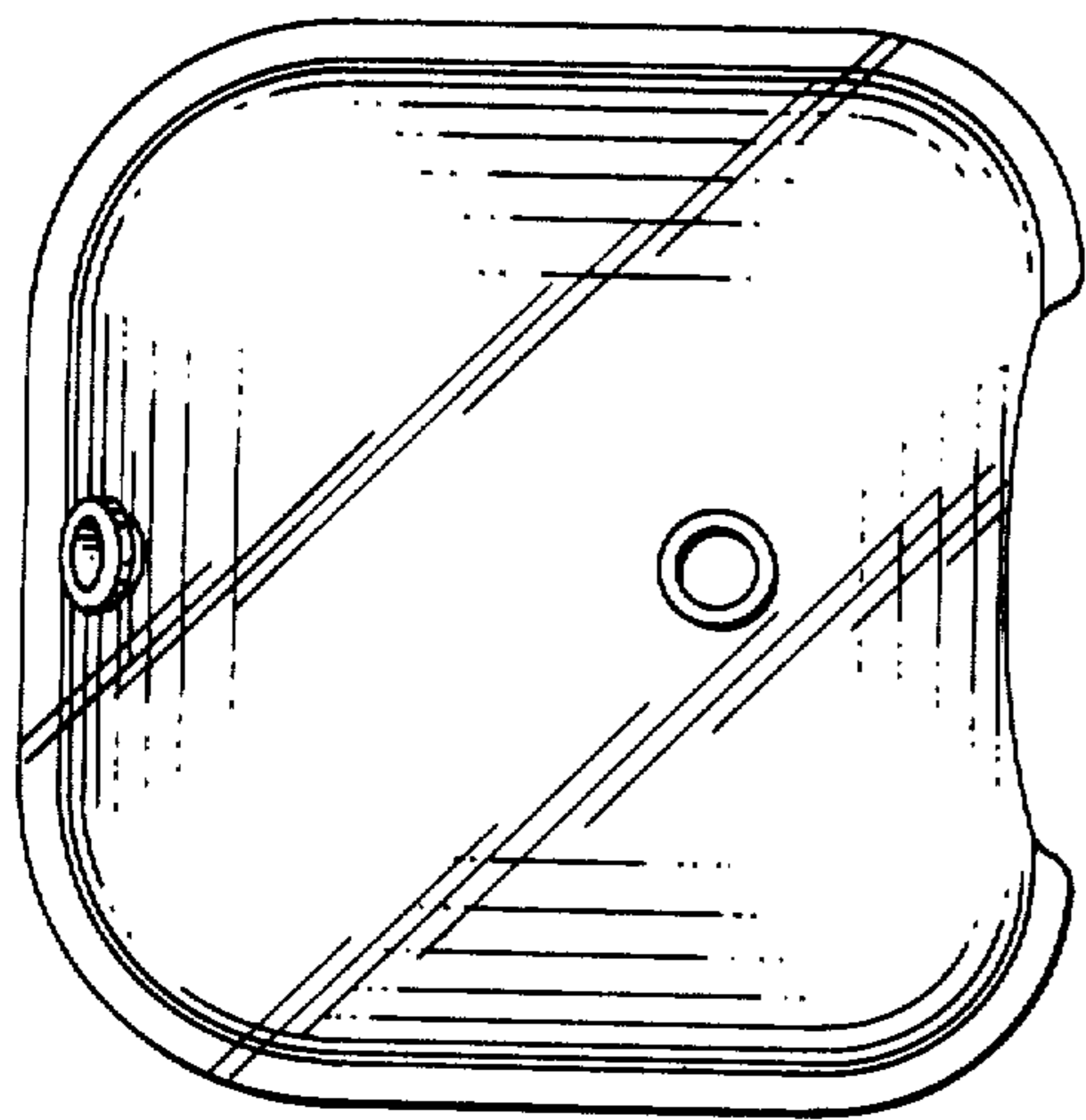


FIG. 2

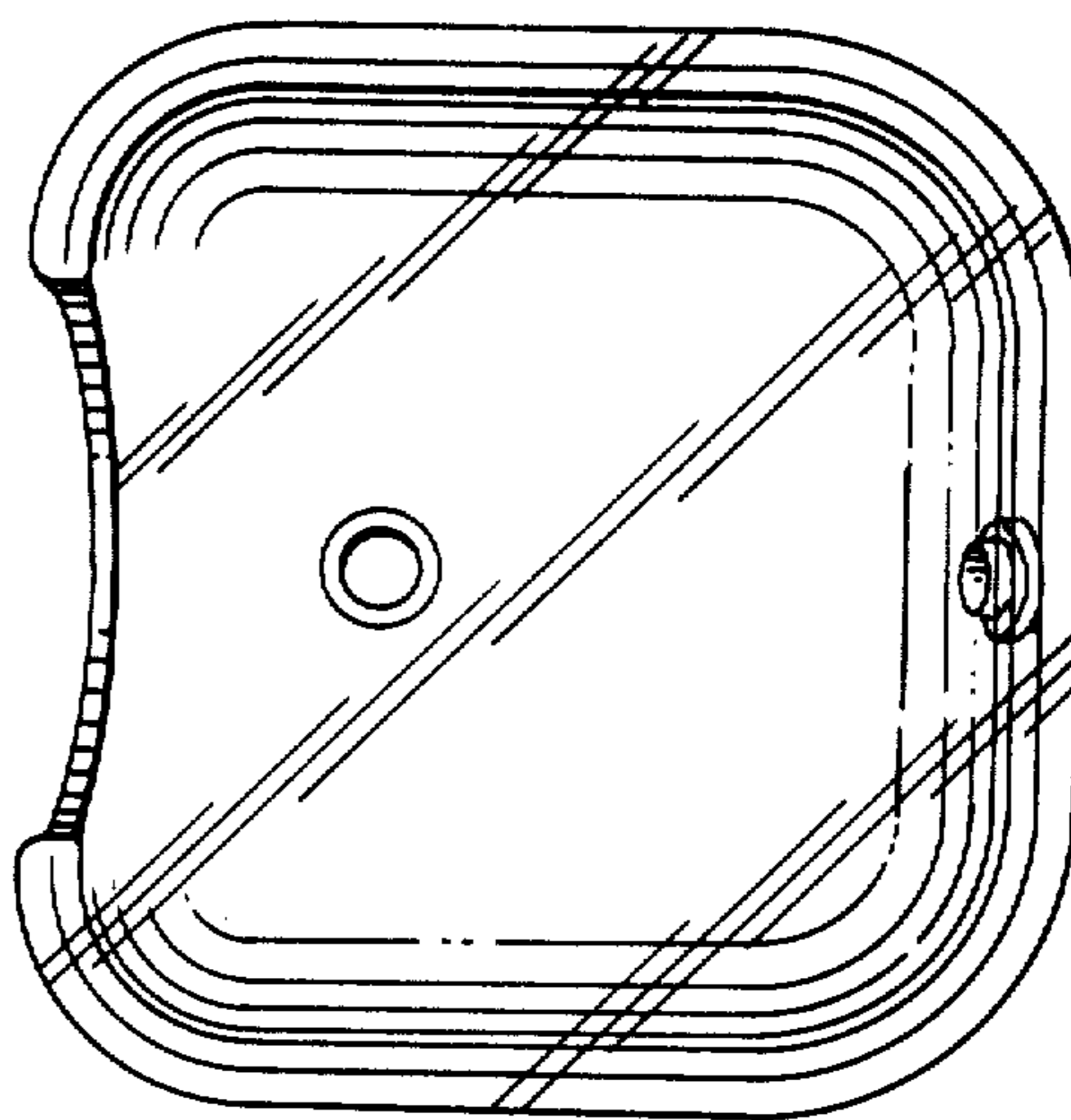


FIG. 3

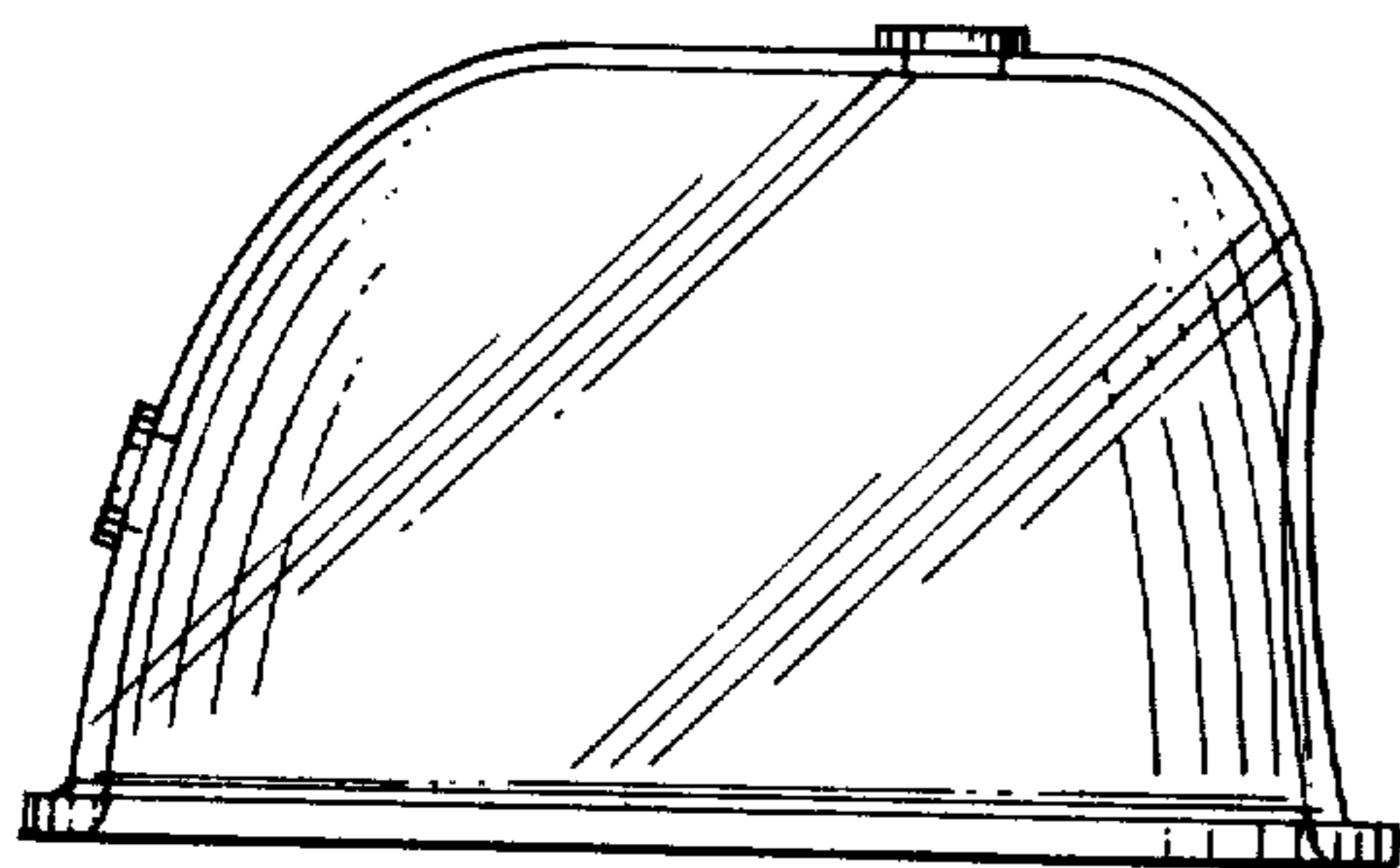


FIG. 4

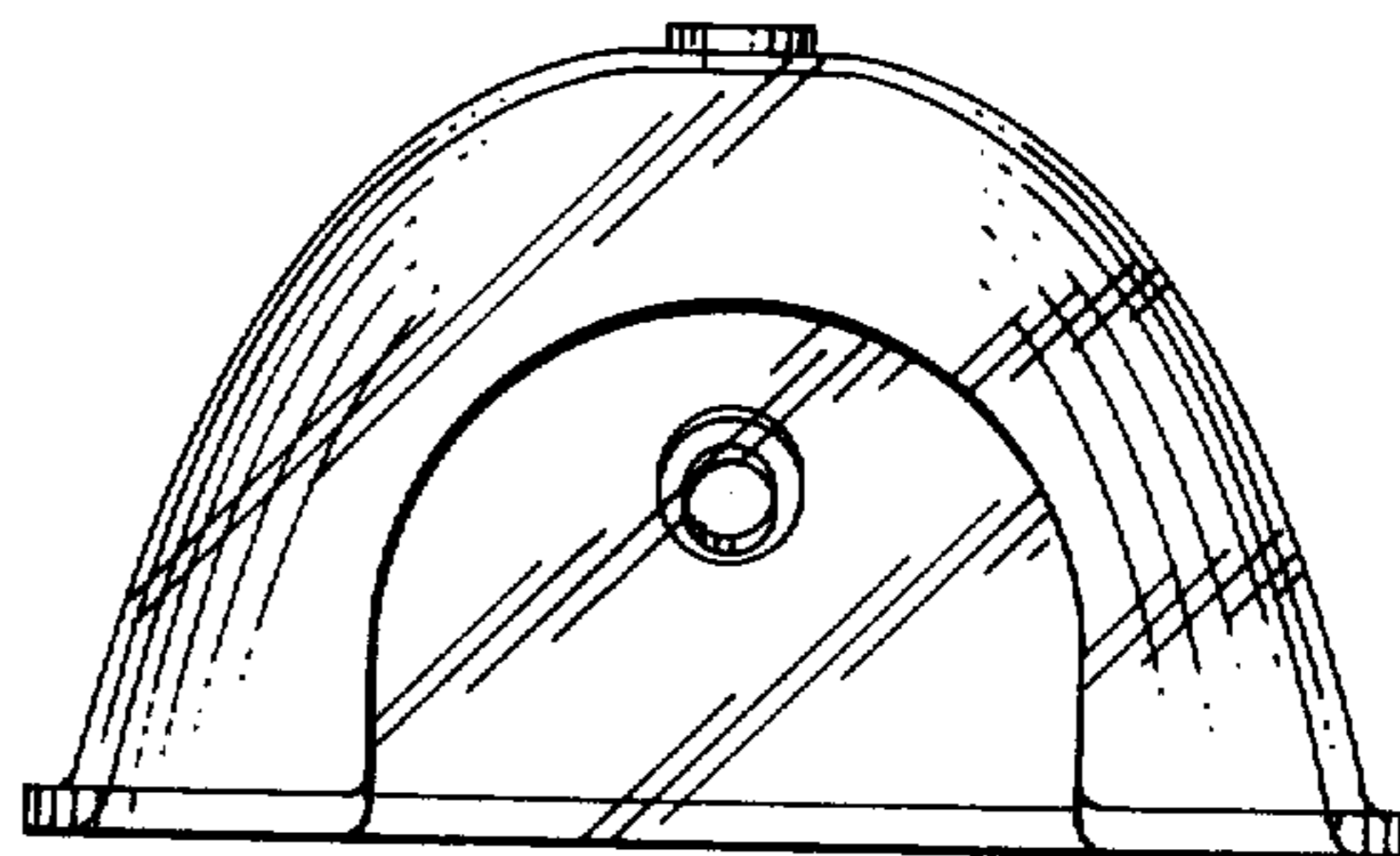


FIG. 5

