

[54] **WOOD STOVE**

[76] Inventor: **George D. Louderback**, 1420
Coolidge St., Sterling, Colo. 80751

[**] Term: **14 Years**

[21] Appl. No.: **87,384**

[22] Filed: **Oct. 22, 1979**

[51] Int. Cl. **D23—03**
[52] U.S. Cl. **D23/97**
[58] Field of Search D23/72, 86, 89, 92,
D23/93, 94, 97, 105, 107, 108, 127, 128;
D7/112, 113, 114; 126/4, 6, 58-66, 120, 121,
123, 126

[56]

References Cited

U.S. PATENT DOCUMENTS

D. 253,370 11/1979 Chalmers D23/97
D. 254,865 4/1980 Saye D23/97

Primary Examiner—Catherine E. Kemper
Attorney, Agent, or Firm—Charles E. Brown

[57]

CLAIM

The ornamental design for wood stove, as shown and described.

DESCRIPTION

FIG. 1 is a front perspective view of the wood stove showing my new design.

FIG. 2 is a front elevational view thereof.

FIG. 3 is a side elevational view, the other side being a mere image thereof.

FIG. 4 is a rear elevational view thereof.

FIG. 5 is a top plan view thereof.

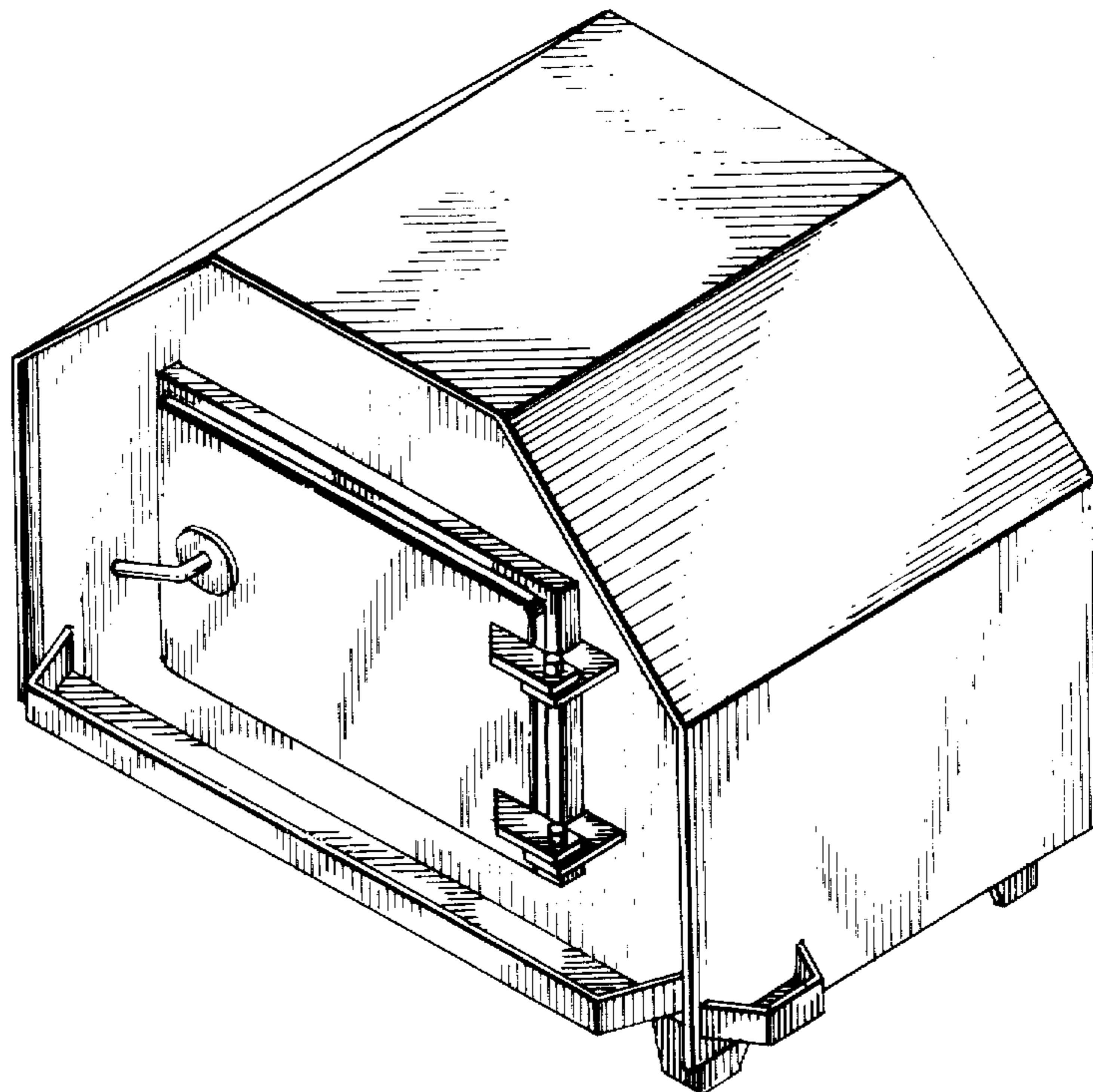


FIG. 1

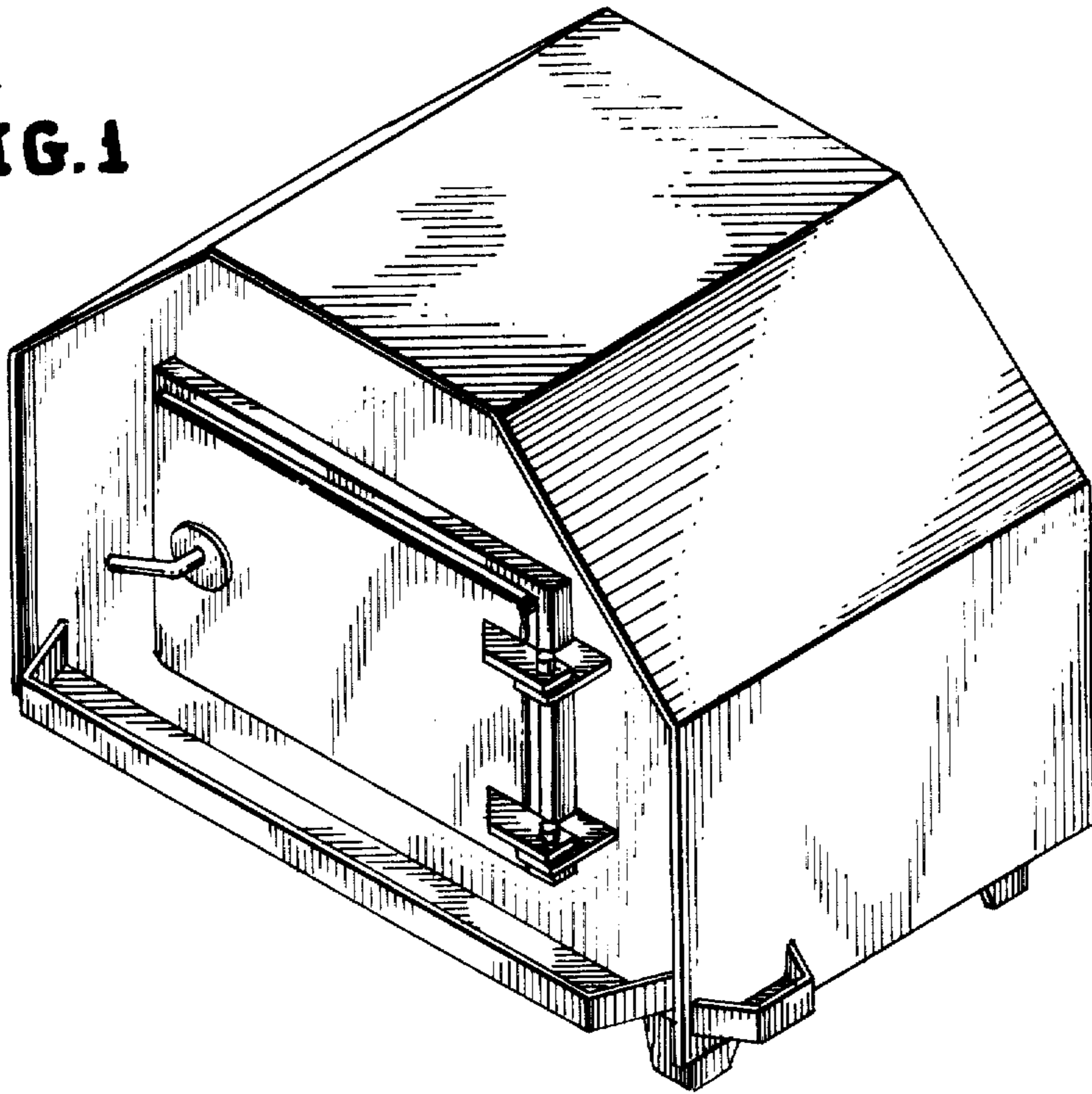


FIG. 2

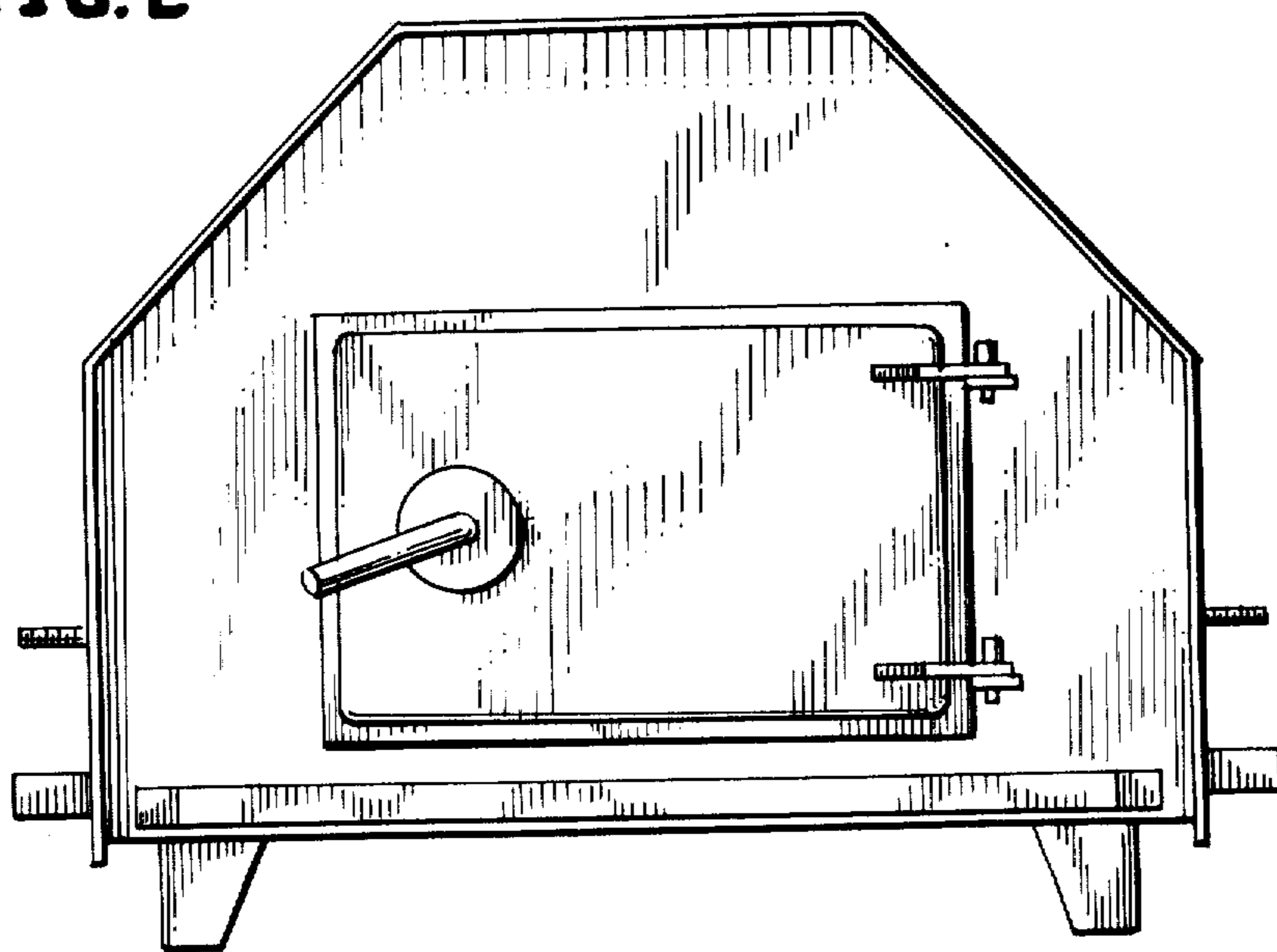


FIG. 4

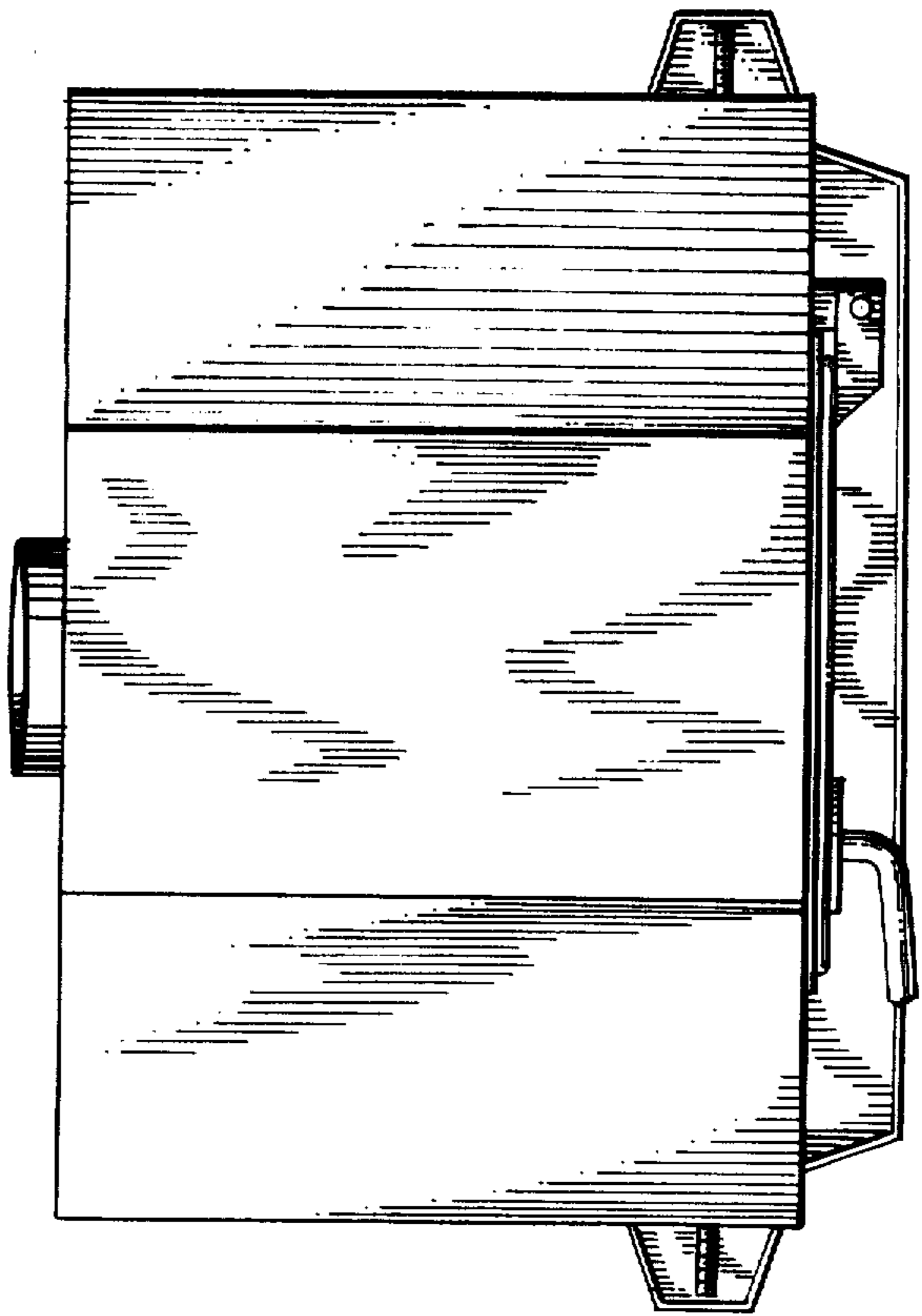
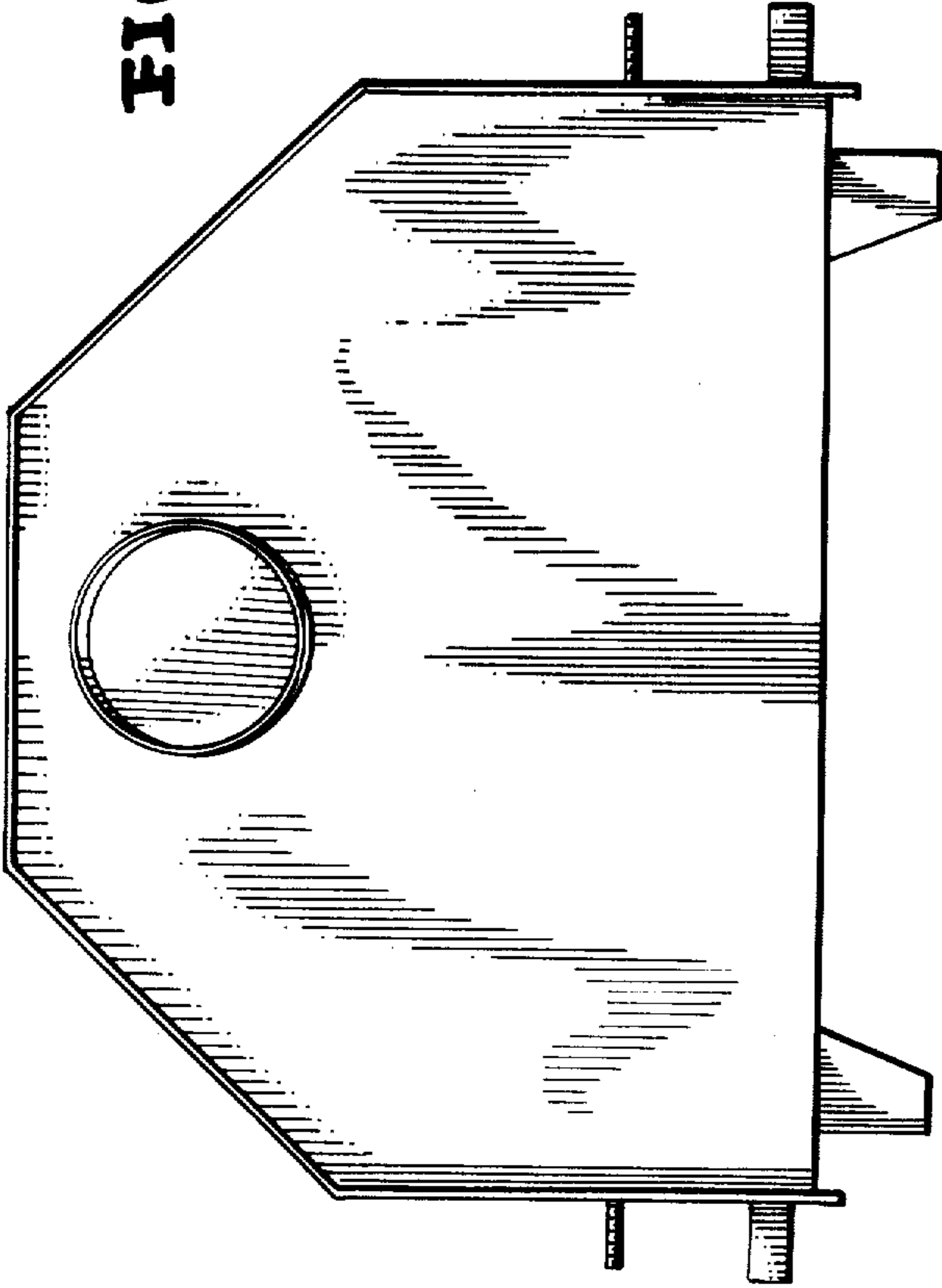


FIG. 5

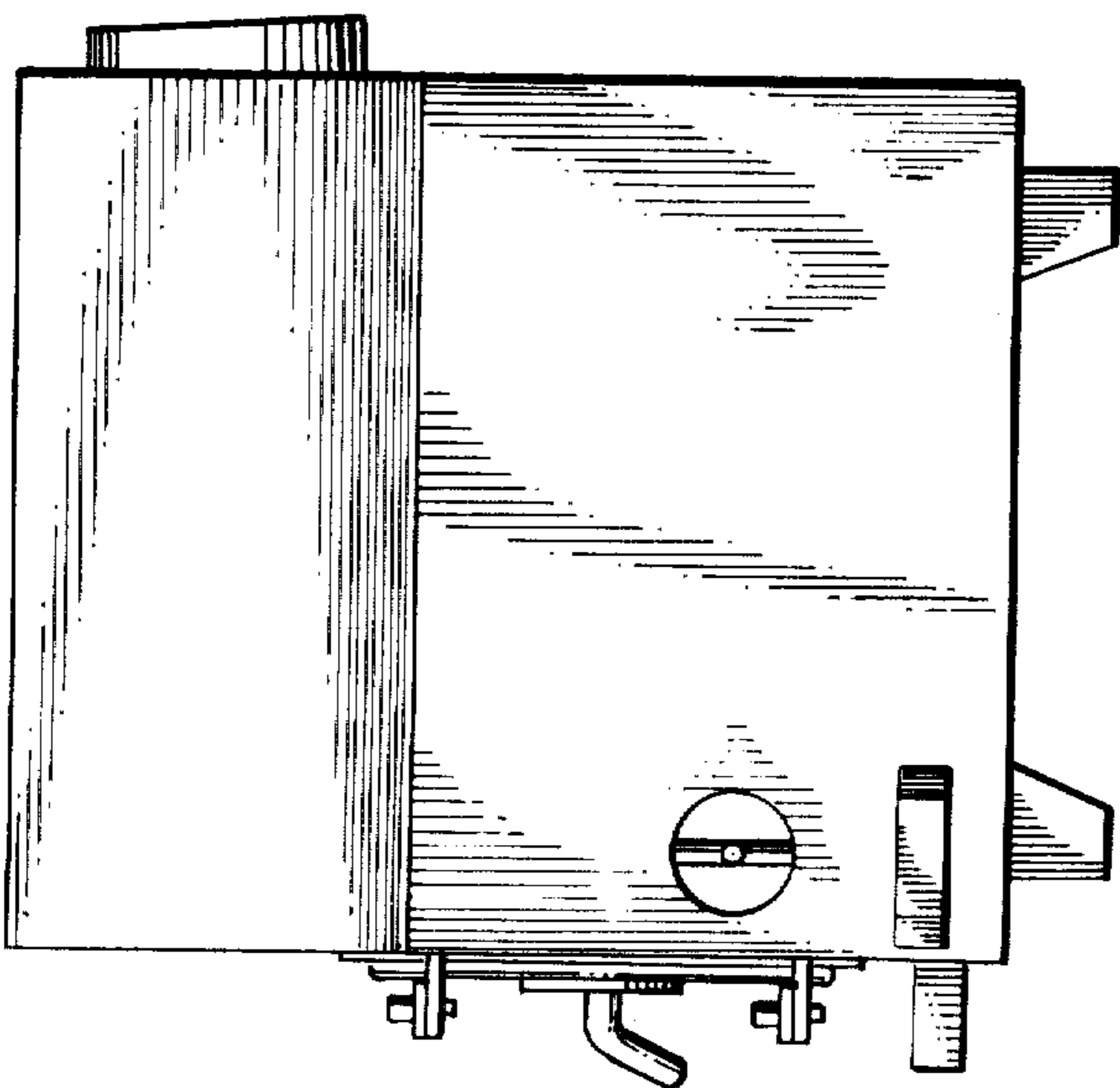


FIG. 6