

[54] **TOY ROBOT**

[75] **Inventor:** Hiu Wong, Hong Kong, Hong Kong

[73] **Assignee:** Blue Box Toy Factory Limited, Hong Kong, Hong Kong

[**] **Term:** 14 Years

[21] **Appl. No.:** 103,808

[22] **Filed:** Dec. 14, 1979

[30] **Foreign Application Priority Data**

Jul. 3, 1979 [GB] United Kingdom 9905664/79

[51] **Int. Cl.** D21-01

[52] **U.S. Cl.** D21/150

[58] **Field of Search** D21/150, 166; 46/104, 46/105, 107

[56]

References Cited

PUBLICATIONS

Montgomery Ward Xmas Cat., 1973, p. 297, lower right, Robot.

F.A.O. Schwarz, Fall-Winter, 1975-1976, p. 37, upper right, Item D, Robot.

Playthings, Aug., 1977, p. 55, middle robot, "Mazinga".

Primary Examiner—Melvin B. Feifer

Attorney, Agent, or Firm—Pollock, Vande Sande & Priddy

[57]

CLAIM

The ornamental design for a toy robot, as shown.

DESCRIPTION

FIG. 1 is a front perspective view from above and one side of a toy robot showing my new design;

FIG. 2 is a view of other side; and

FIG. 3 is a rear view.

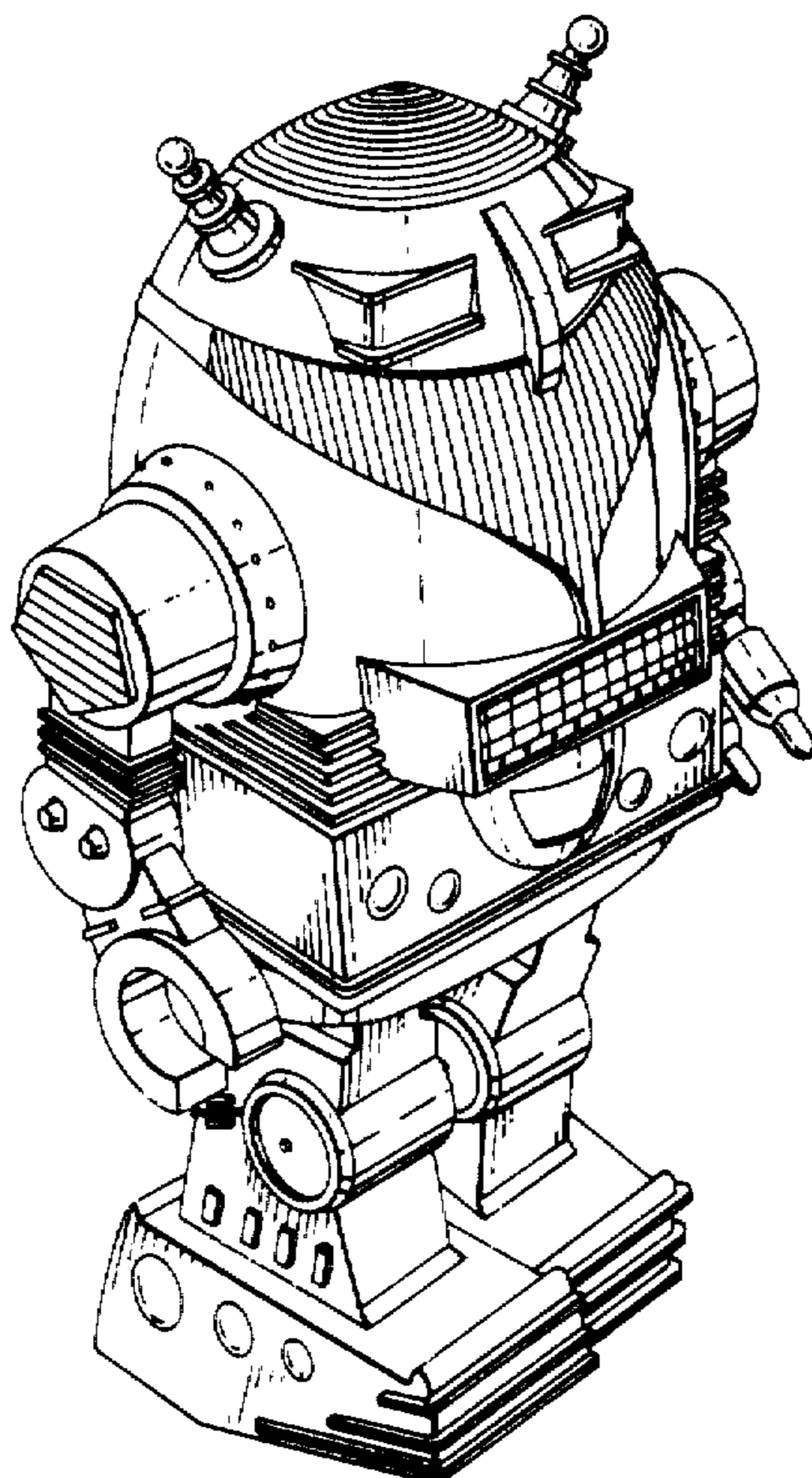


FIG. 1.

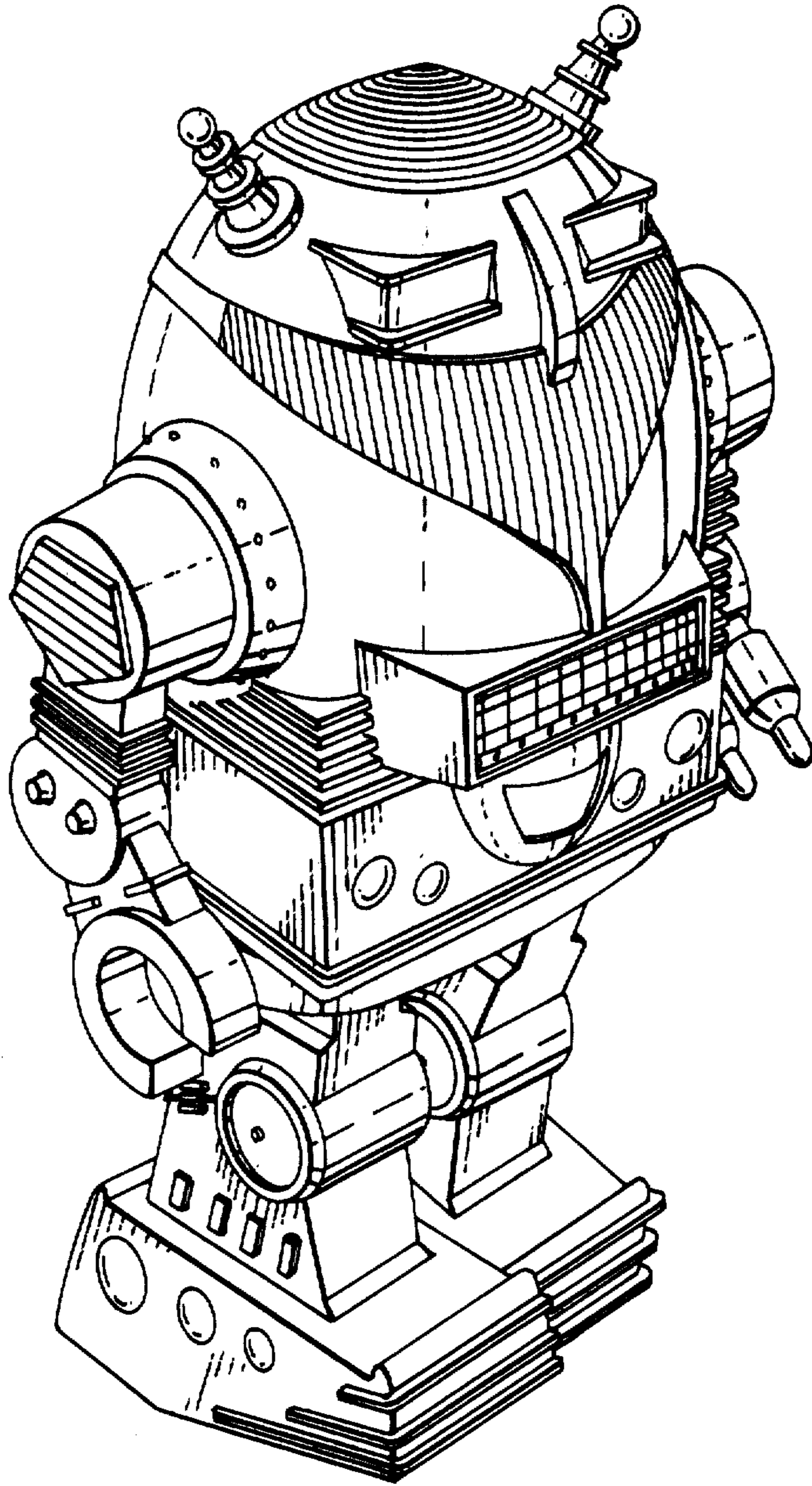


FIG. 2

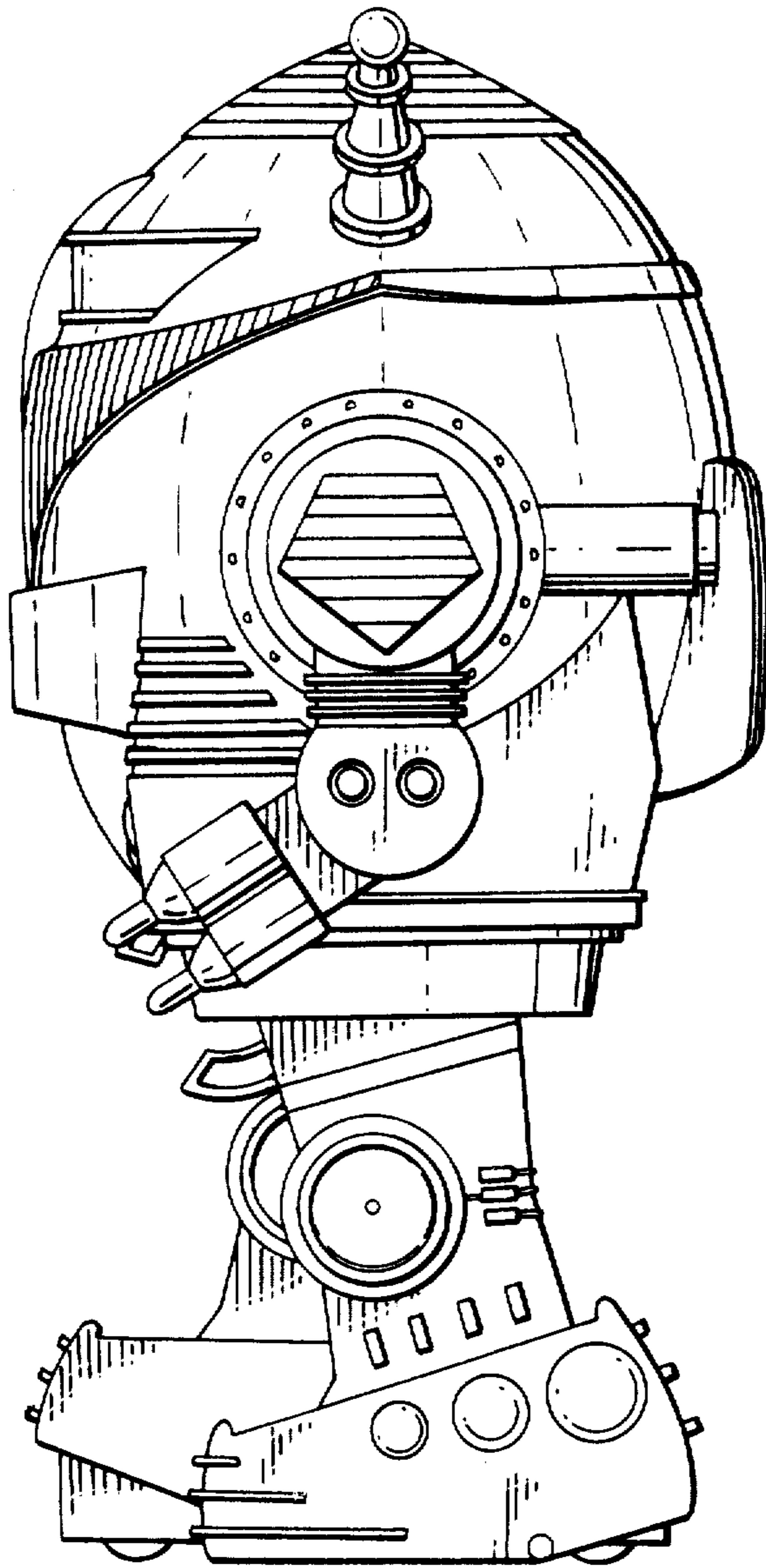


FIG. 3

