

[54] TRIPOD HEAD

[75] Inventor: Osamu Iwasaki, Tokorozawa, Japan

[73] Assignee: Slik Tripod Co., Ltd., Saitama, Japan

[**] Term: 14 Years

[21] Appl. No.: 103,172

[22] Filed: Dec. 13, 1979

[30] Foreign Application Priority Data

Jun. 19, 1979 [JP] Japan 54-25209
Jun. 29, 1979 [JP] Japan 54-26871

[51] Int. Cl. D16-05

[52] U.S. Cl. D16/46

[58] Field of Search D16/44, 45, 46;
248/177, 178, 179, 183, 184, 185

[56] References Cited

U.S. PATENT DOCUMENTS

D. 152,247	1/1949	Flesh	D16/46
D. 155,279	9/1949	Flesch	D16/46
D. 155,280	9/1949	Flesch	D16/46
D. 160,136	9/1950	Welt	D16/46
D. 176,471	12/1955	Mooney	D16/45
D. 179,828	3/1957	Welt	D16/45
D. 198,412	6/1964	Mooney	D16/46
D. 222,596	11/1971	Leubner	D16/46
D. 257,259	10/1980	Shiraishi	D16/44
D. 257,260	10/1980	Shiraishi	D16/45
D. 257,261	10/1980	Shinohara	D16/45

Primary Examiner—Nelson C. Holtje

Attorney, Agent, or Firm—Frishauf, Holtz, Goodman and Woodward

[57] CLAIM

The ornamental design for a tripod head, as shown and described.

DESCRIPTION

FIG. 1 is a rear perspective view of a tripod head showing my design;
 FIG. 2 is a front perspective view thereof;
 FIG. 3 is a front elevational view thereof;
 FIG. 4 is a right side elevational view thereof;
 FIG. 5 is a left side elevational view thereof;
 FIG. 6 is a top plan view thereof;
 FIG. 7 is a rear elevational view thereof;
 FIG. 8 is a bottom plan view thereof;
 FIG. 9 is a rear perspective view of a second embodiment of my new design of FIG. 1;
 FIG. 10 is a front perspective view thereof;
 FIG. 11 is a front elevational view thereof;
 FIG. 12 is a right side elevational view thereof;
 FIG. 13 is a left side elevational view thereof;
 FIG. 14 is a top plan view thereof;
 FIG. 15 is a rear elevational view thereof;
 FIG. 16 is a bottom plan view thereof;
 FIG. 17 is a rear perspective view of a third embodiment of my new design of FIG. 1;
 FIG. 18 is a front perspective view thereof;
 FIG. 19 is a front elevational view thereof;
 FIG. 20 is a right side elevational view thereof;
 FIG. 21 is a left side elevational view thereof;
 FIG. 22 is a top plan view thereof;
 FIG. 23 is a rear elevational view thereof; and
 FIG. 24 is a bottom plan view thereof.

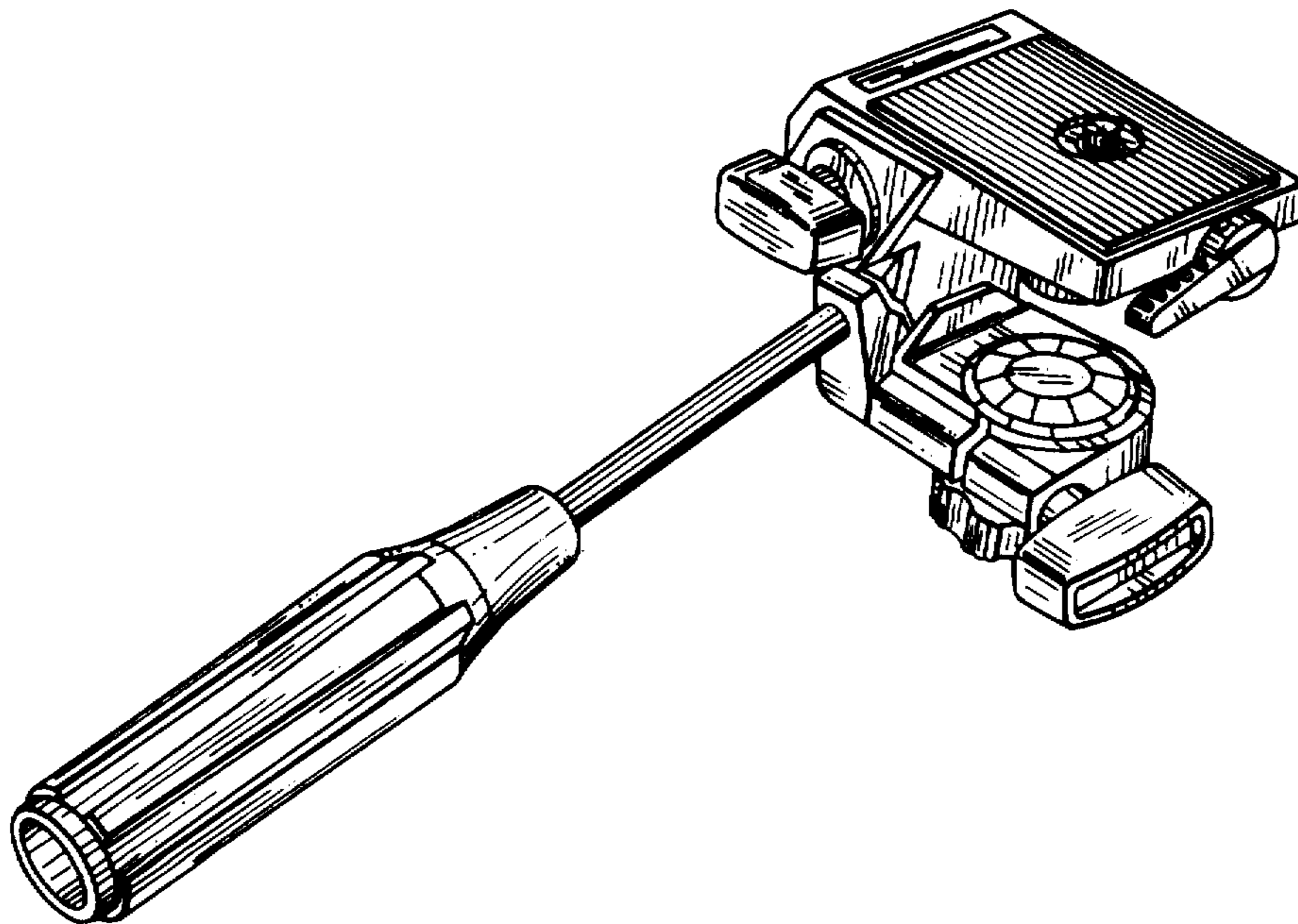


FIG. 1

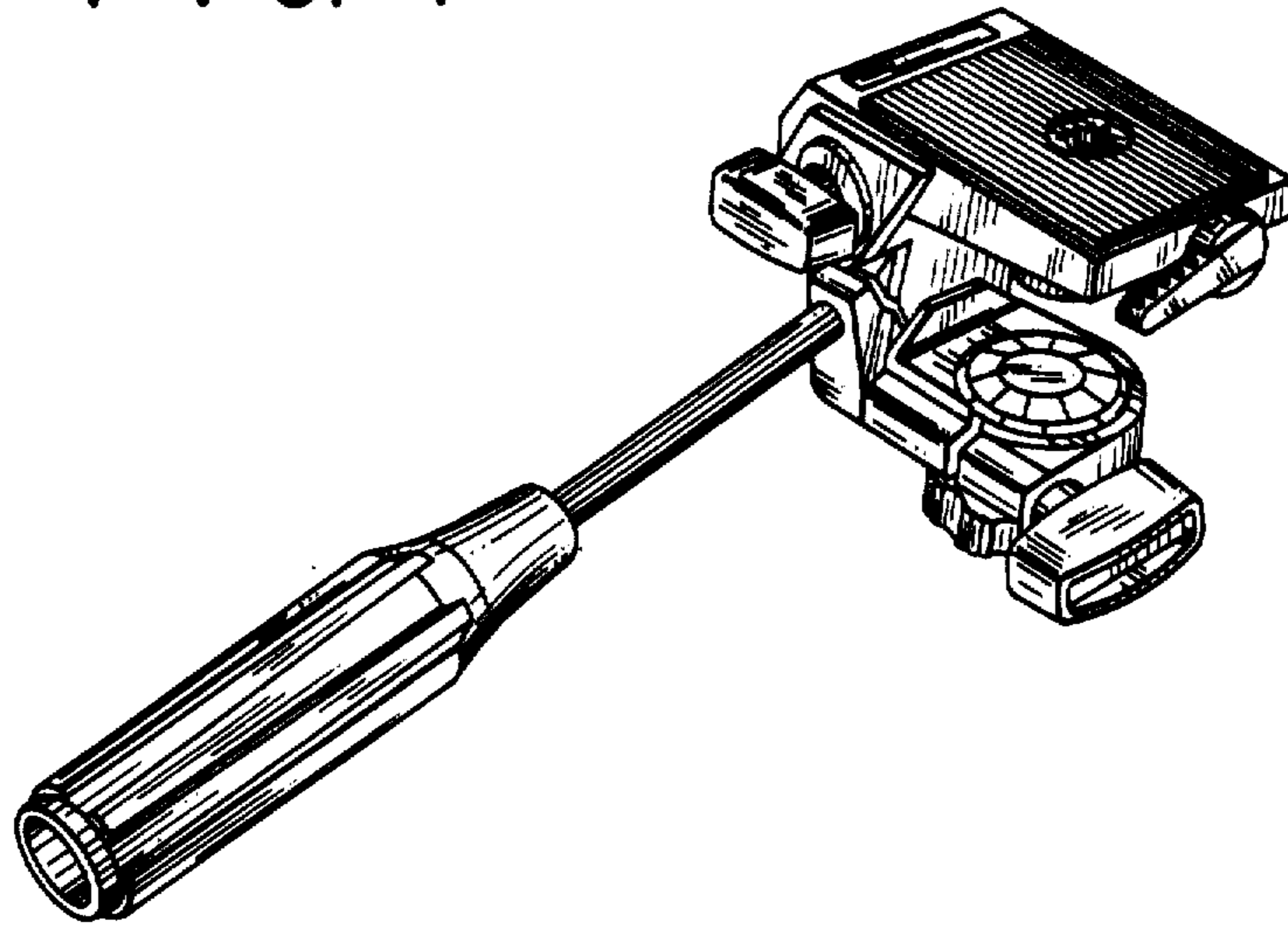


FIG. 2

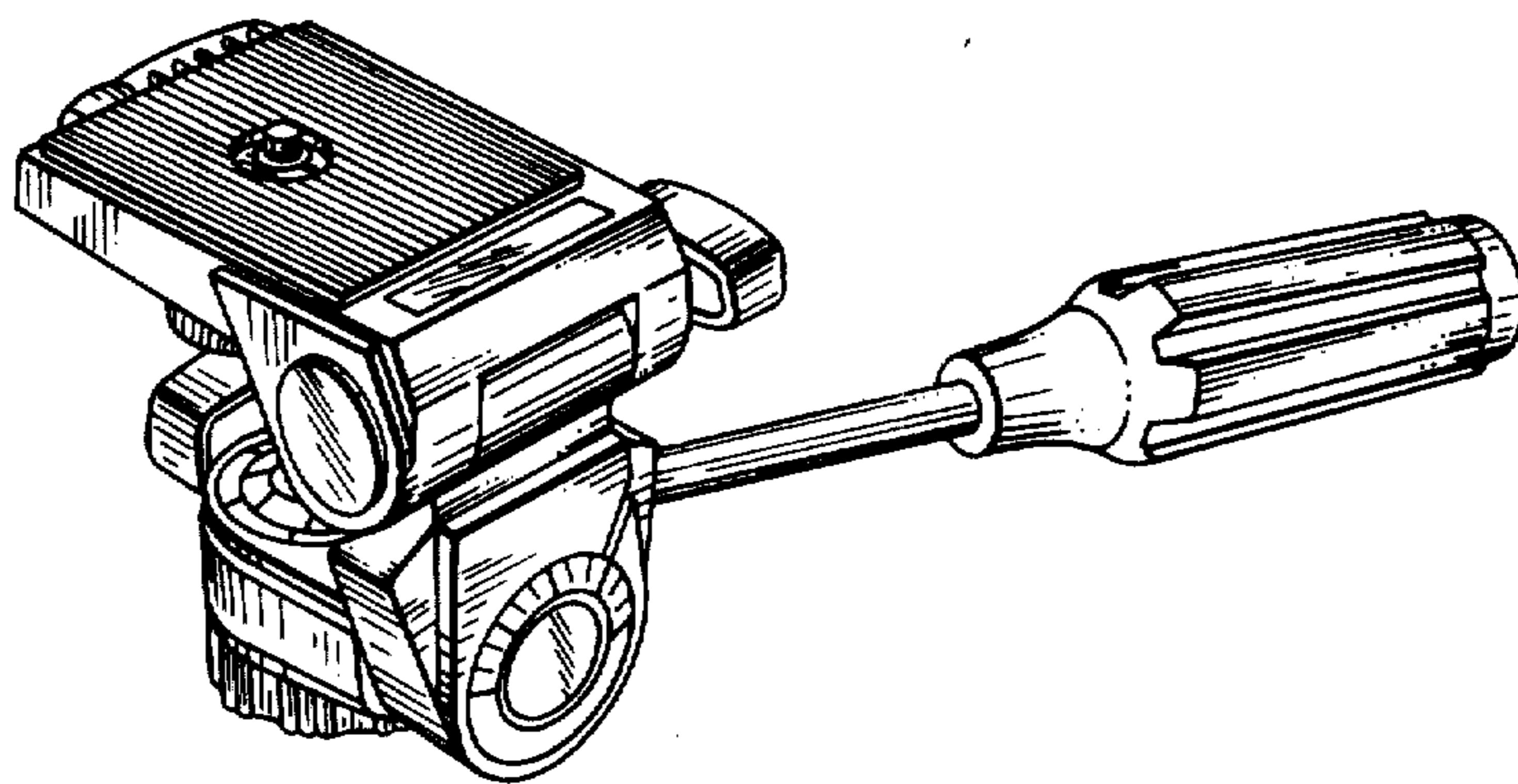


FIG. 3

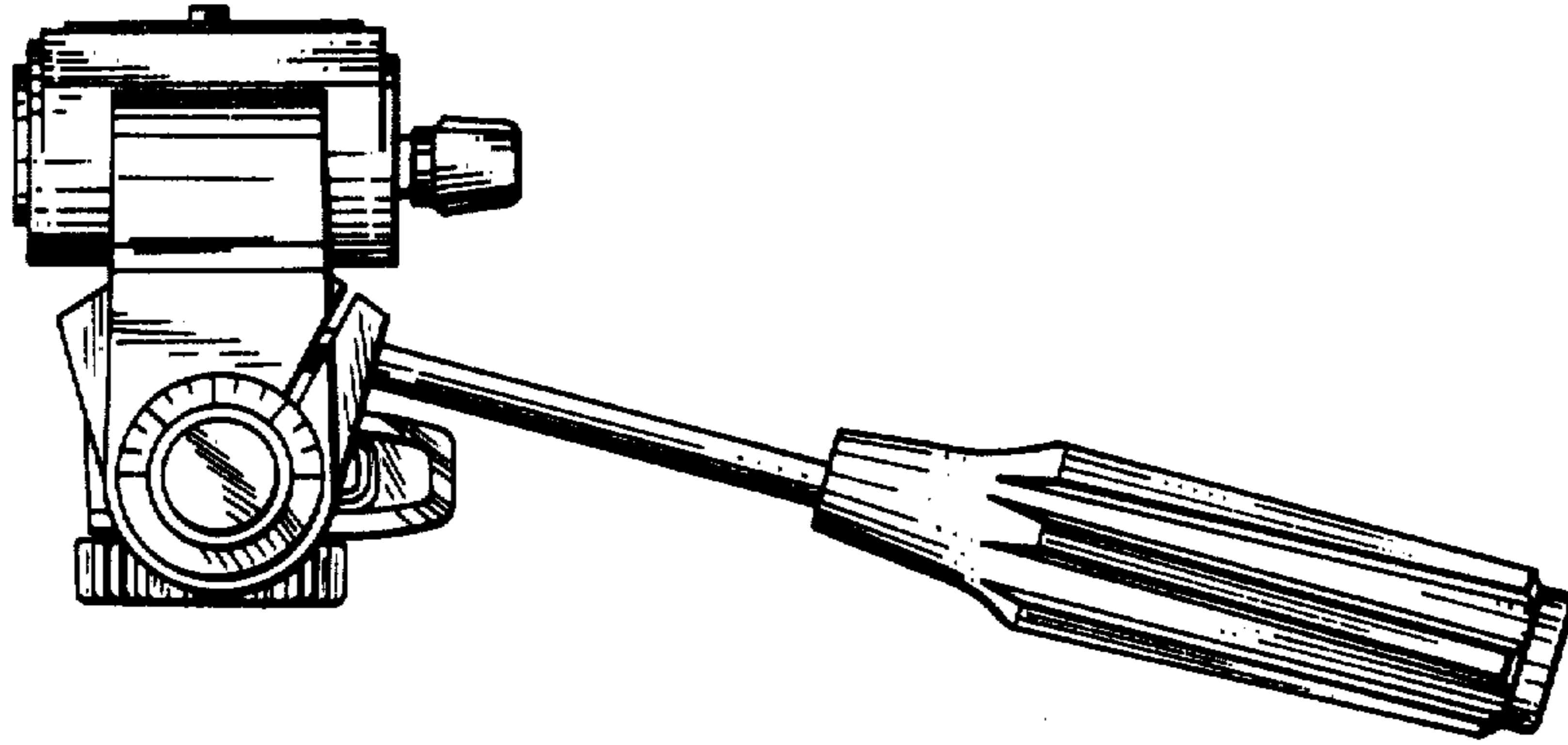


FIG. 4

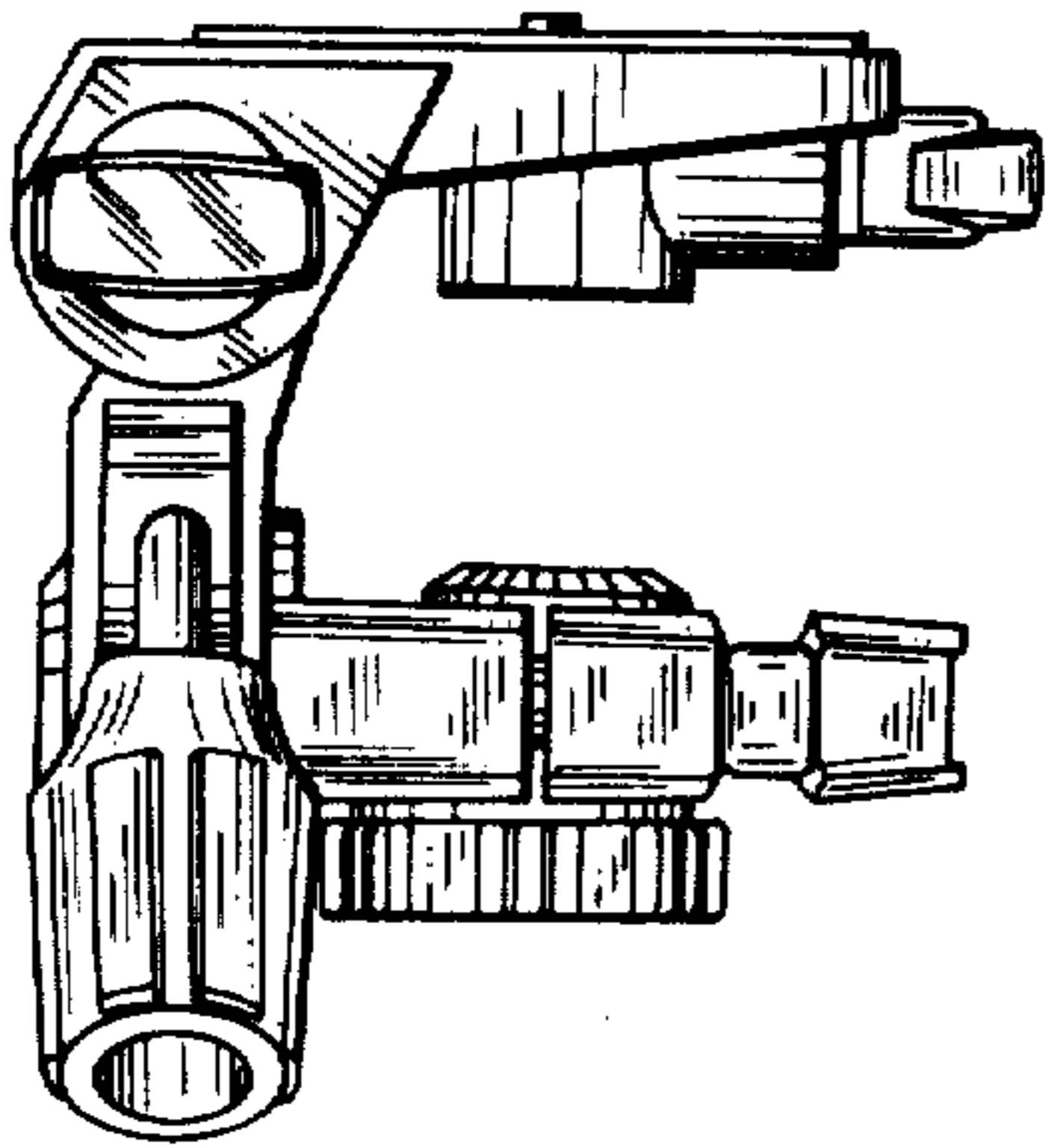
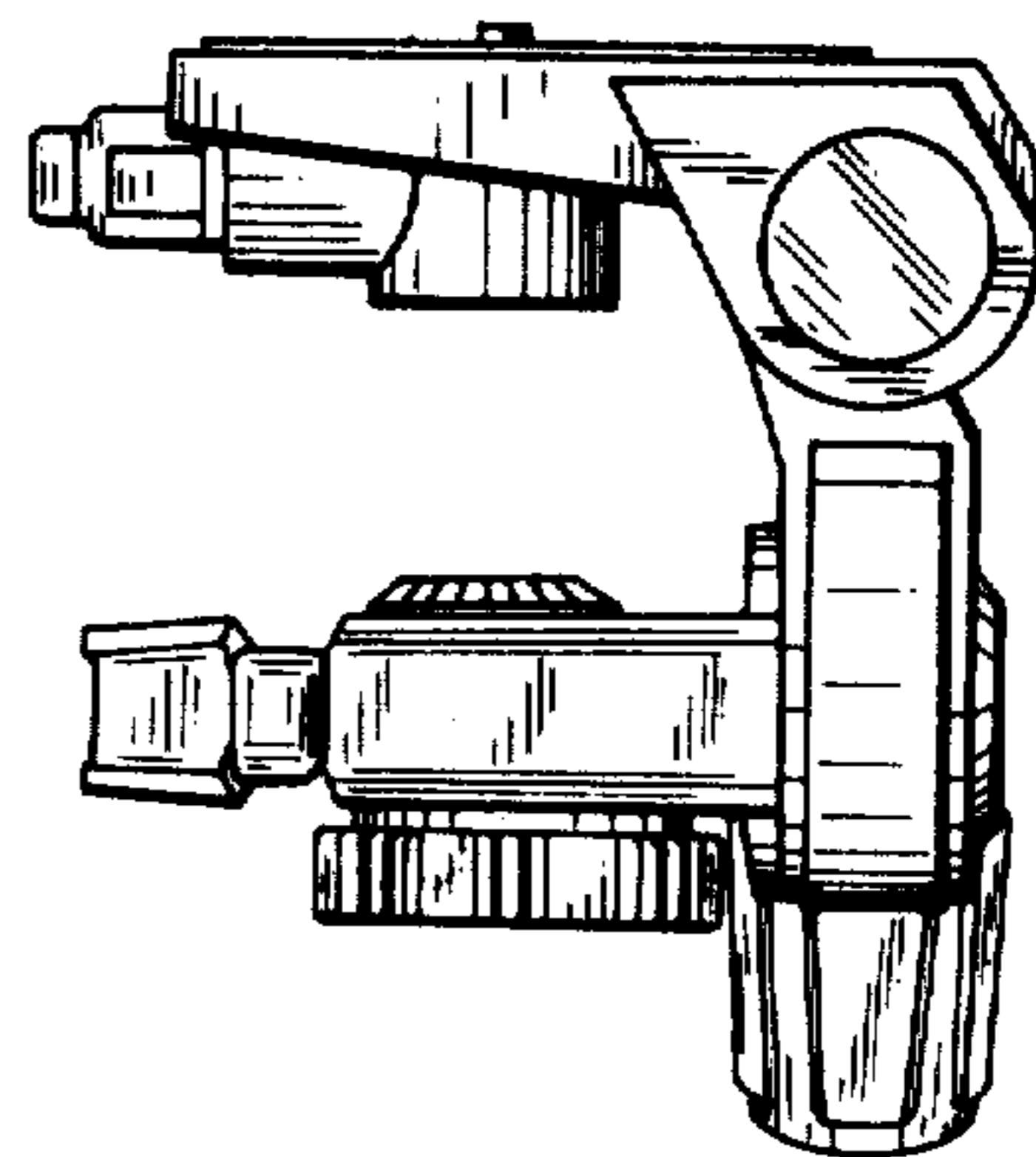


FIG. 5



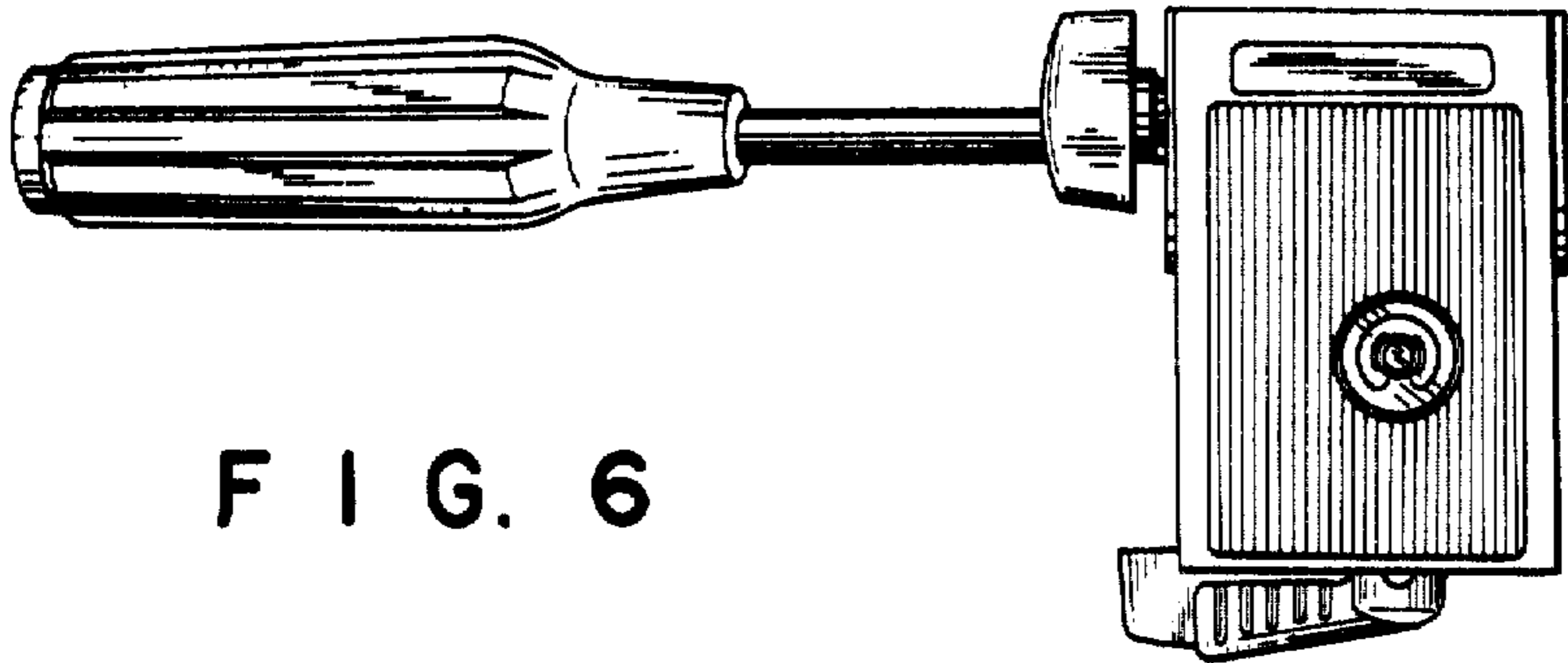


FIG. 6

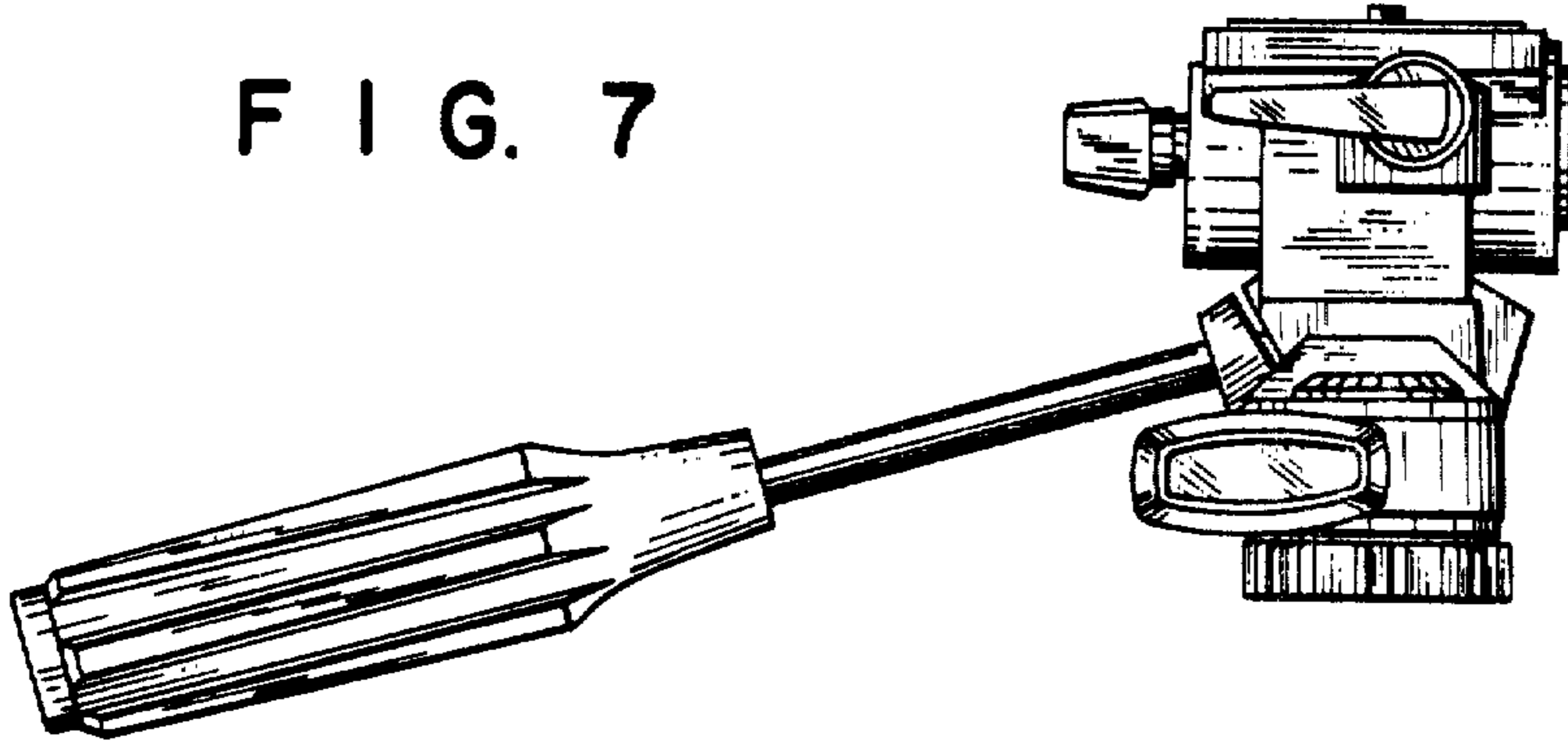


FIG. 7

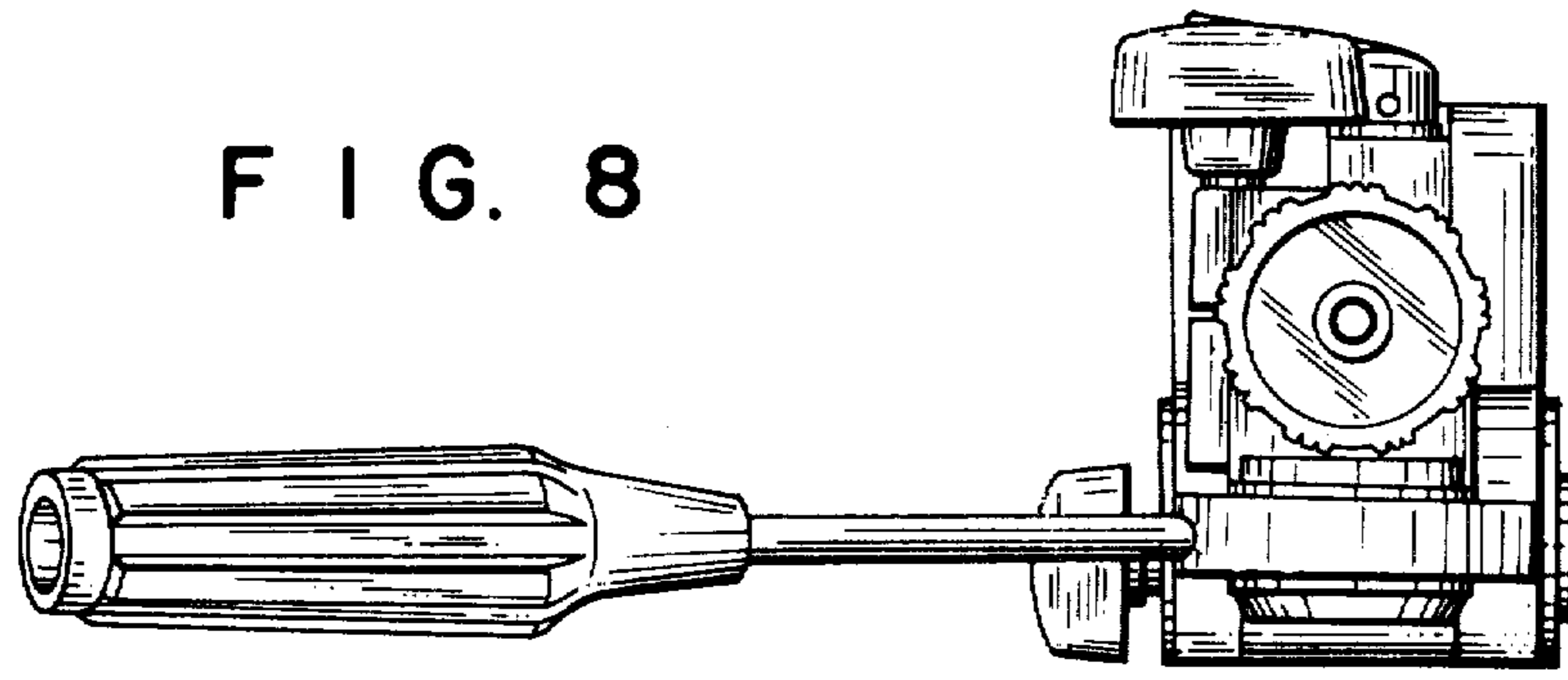
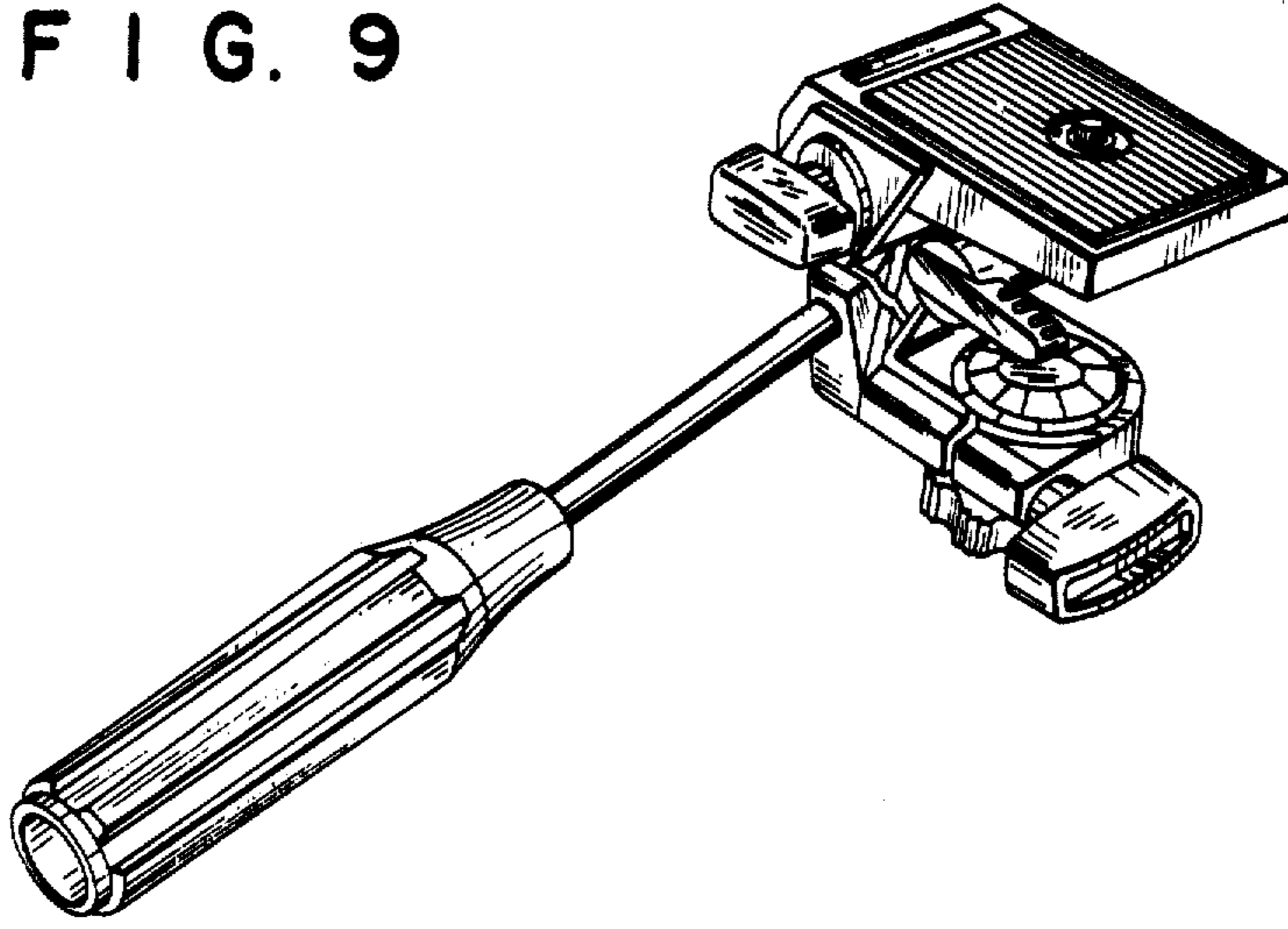


FIG. 8

F I G. 9



F I G. 10

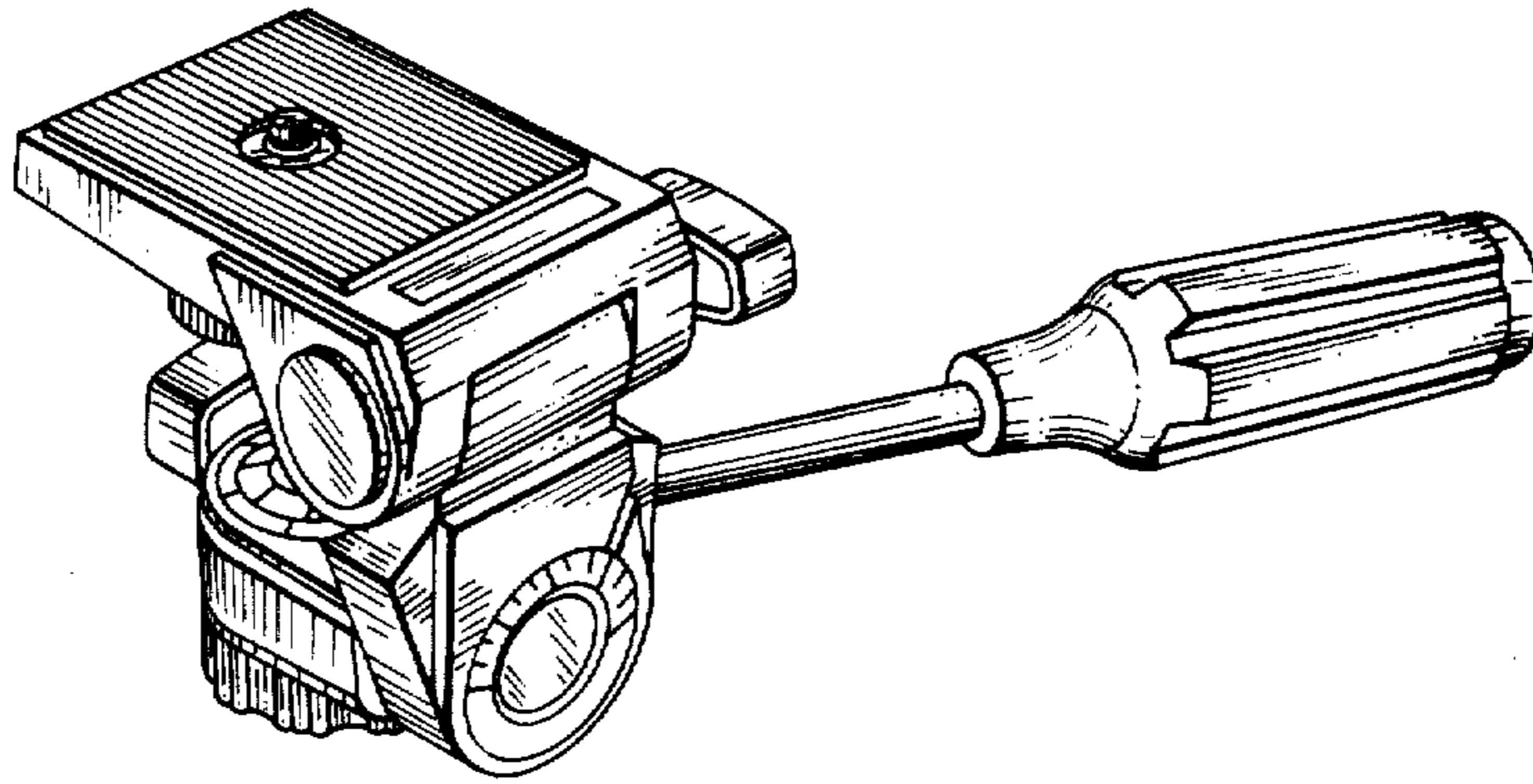


FIG. 11

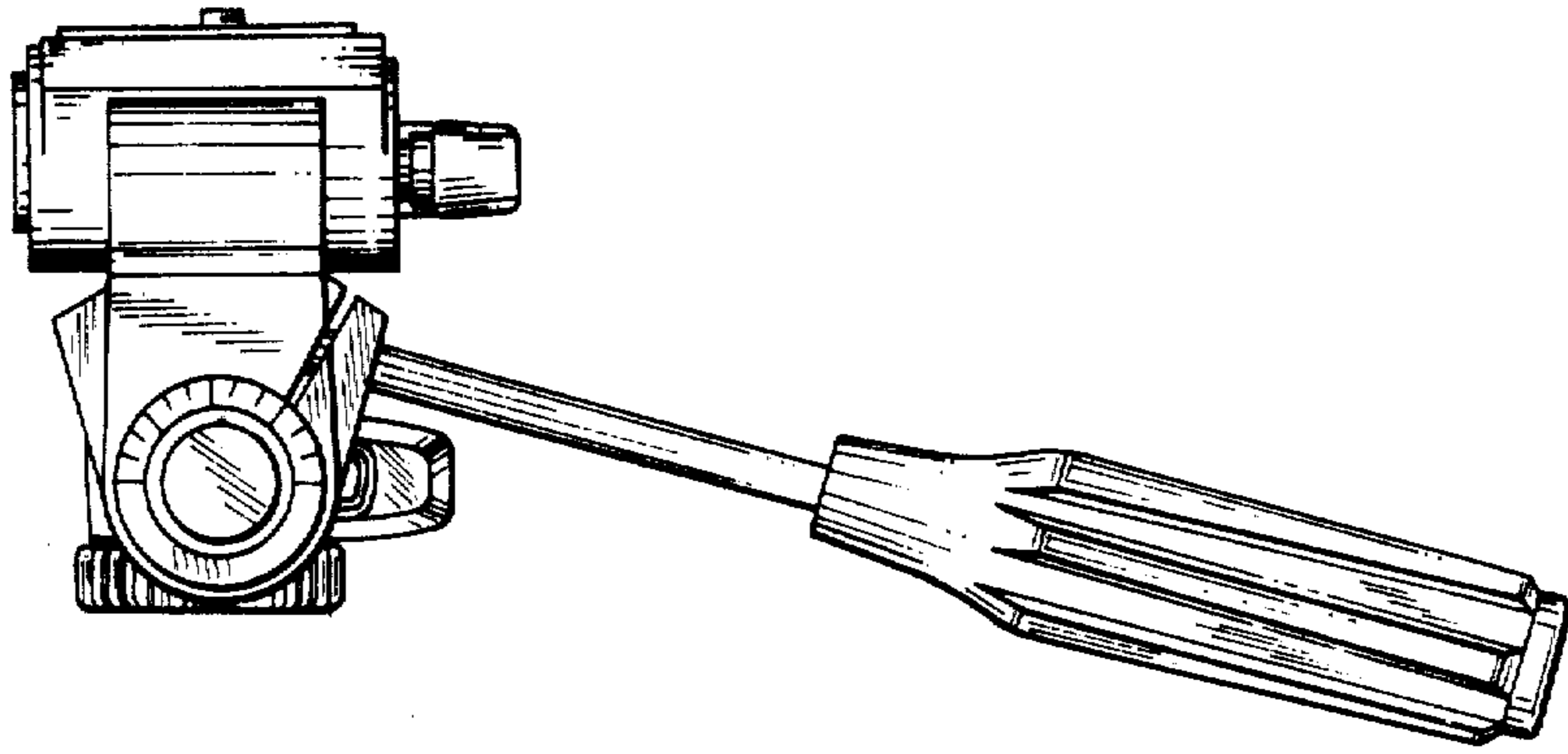


FIG. 12

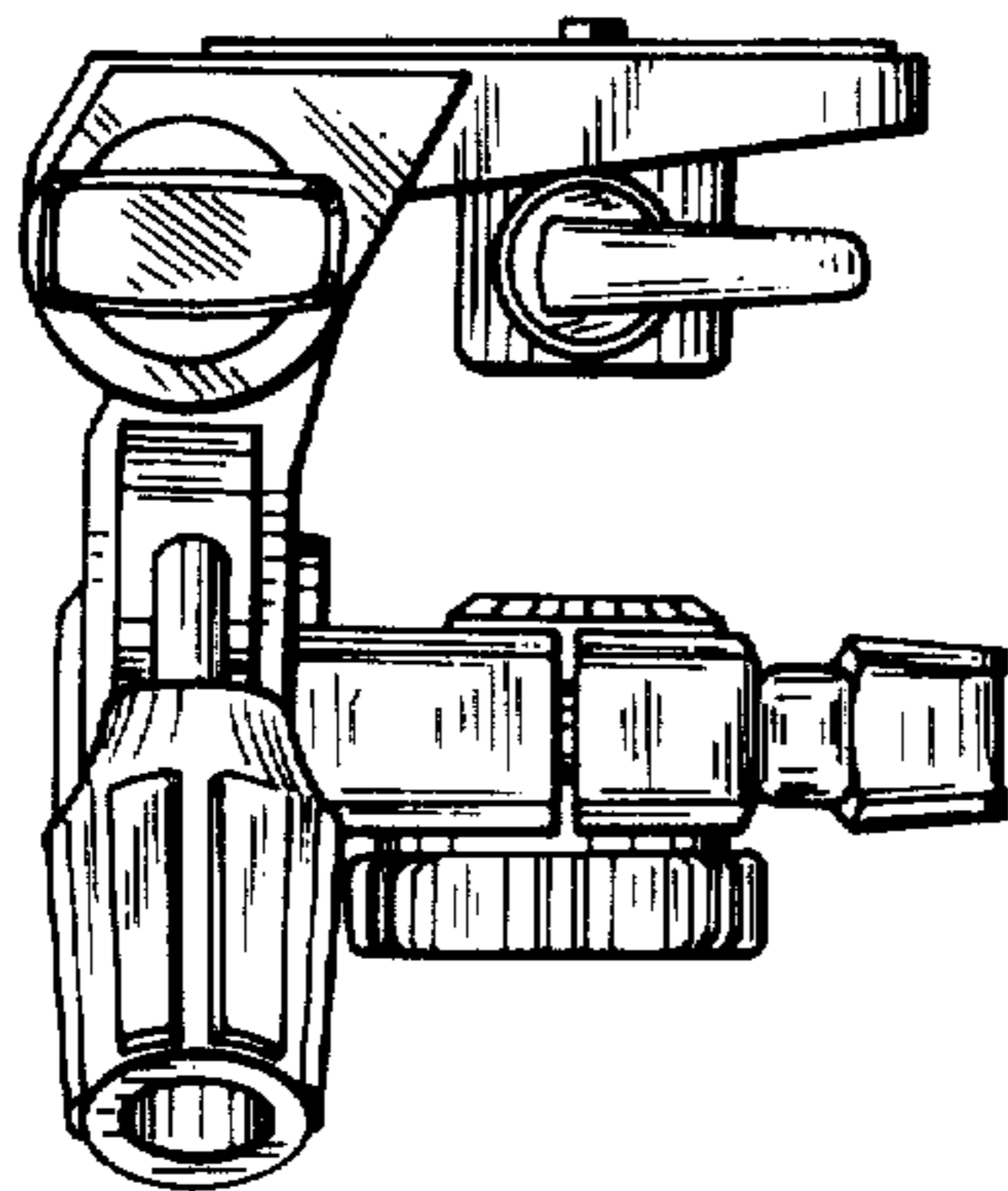
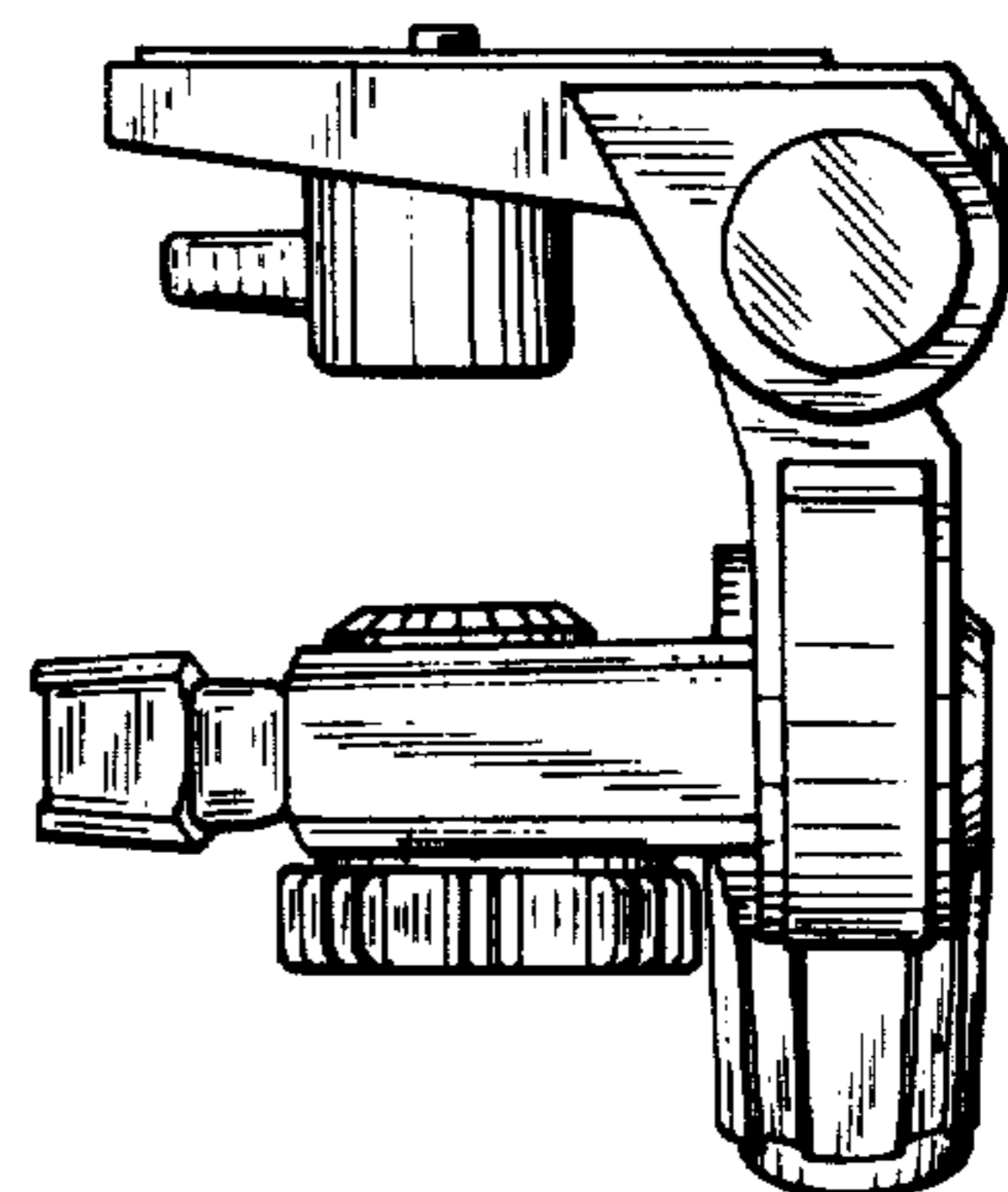


FIG. 13



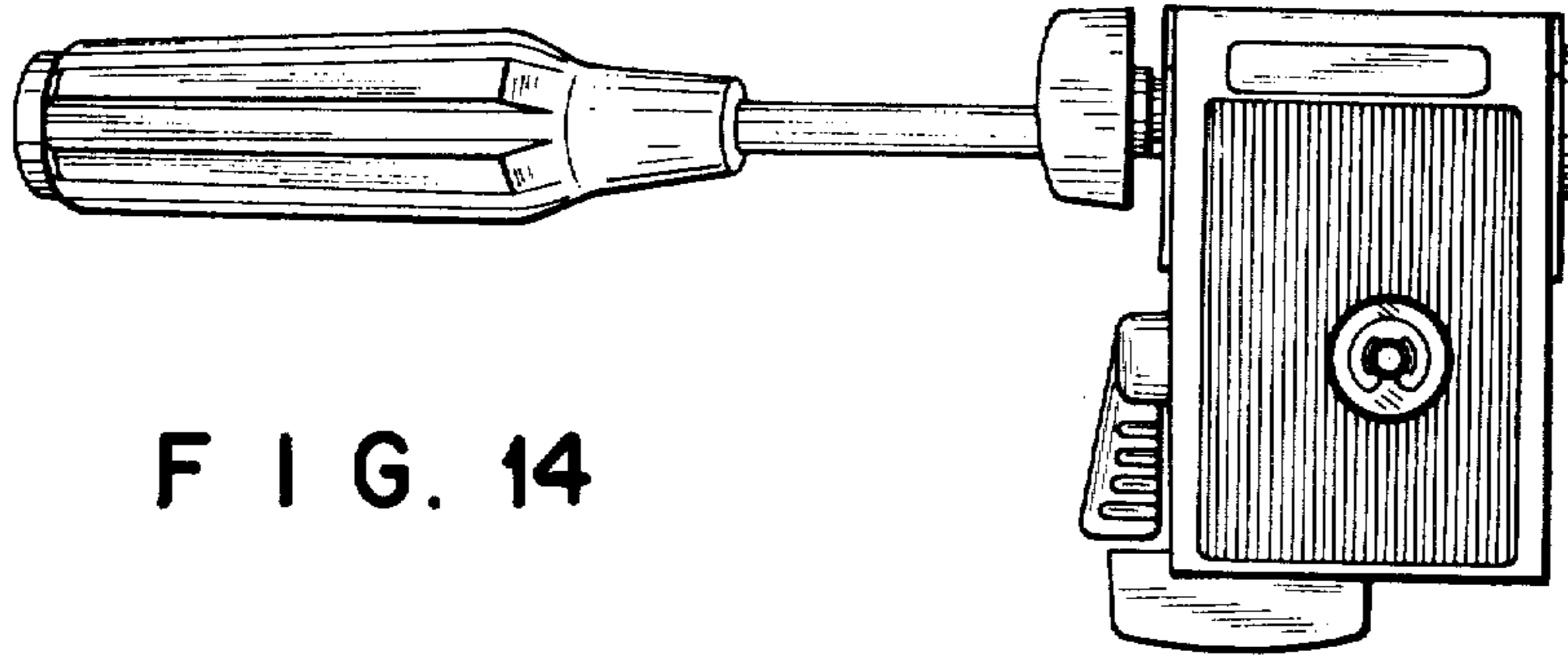


FIG. 14

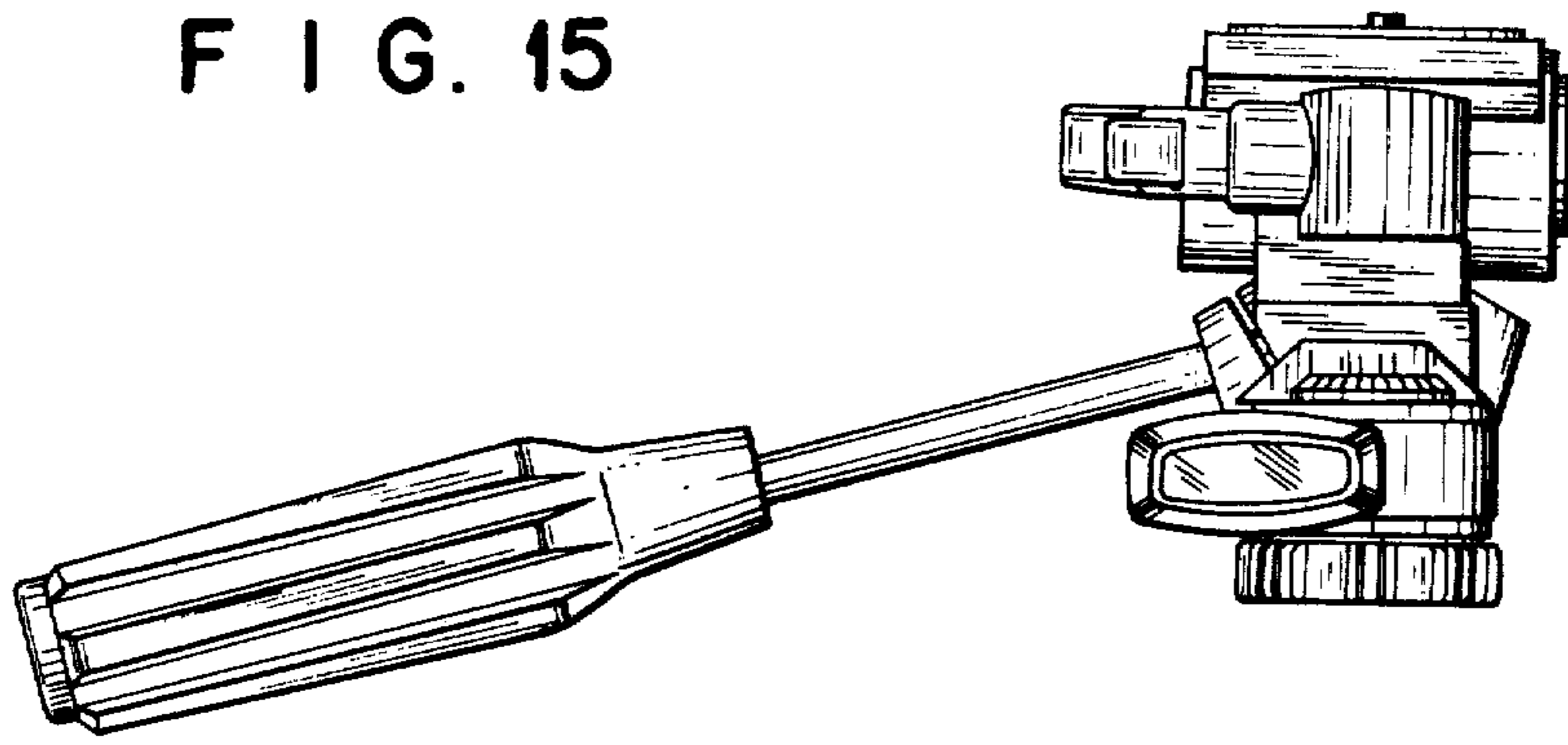


FIG. 15

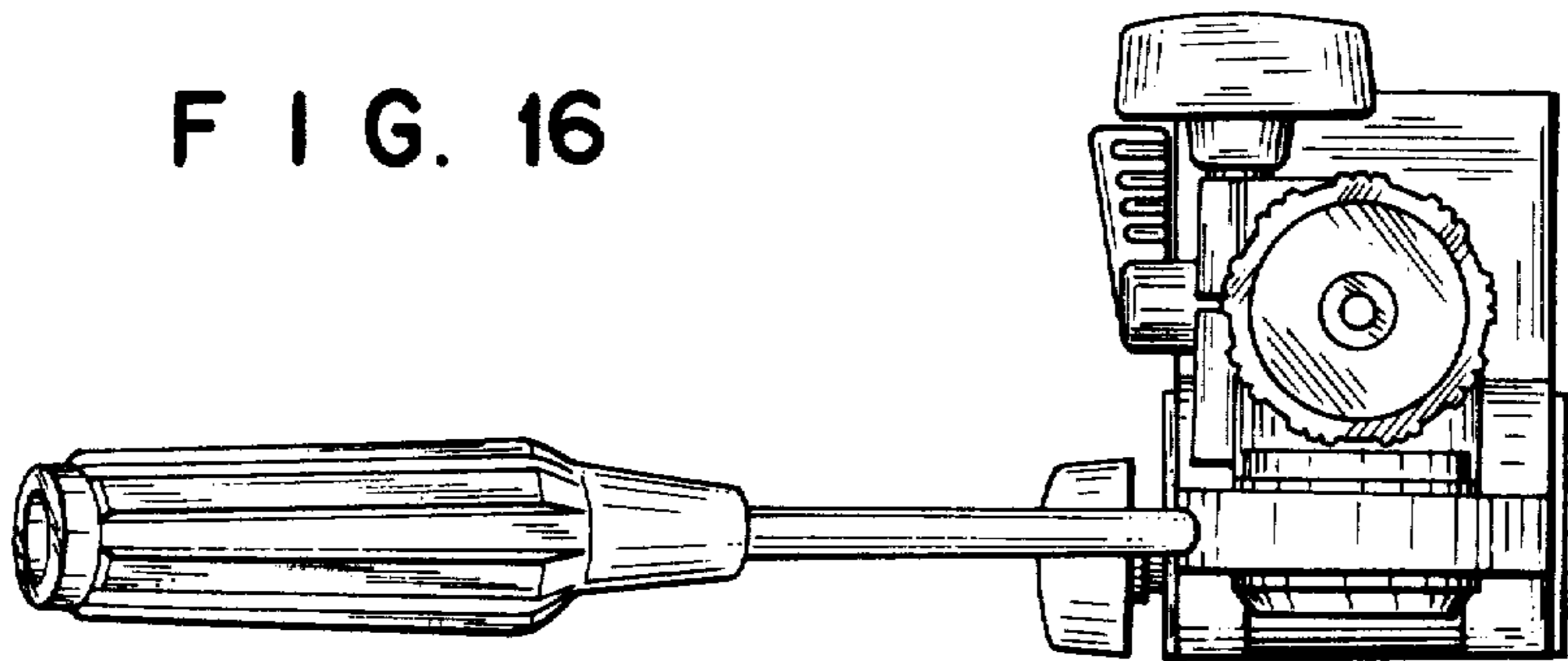
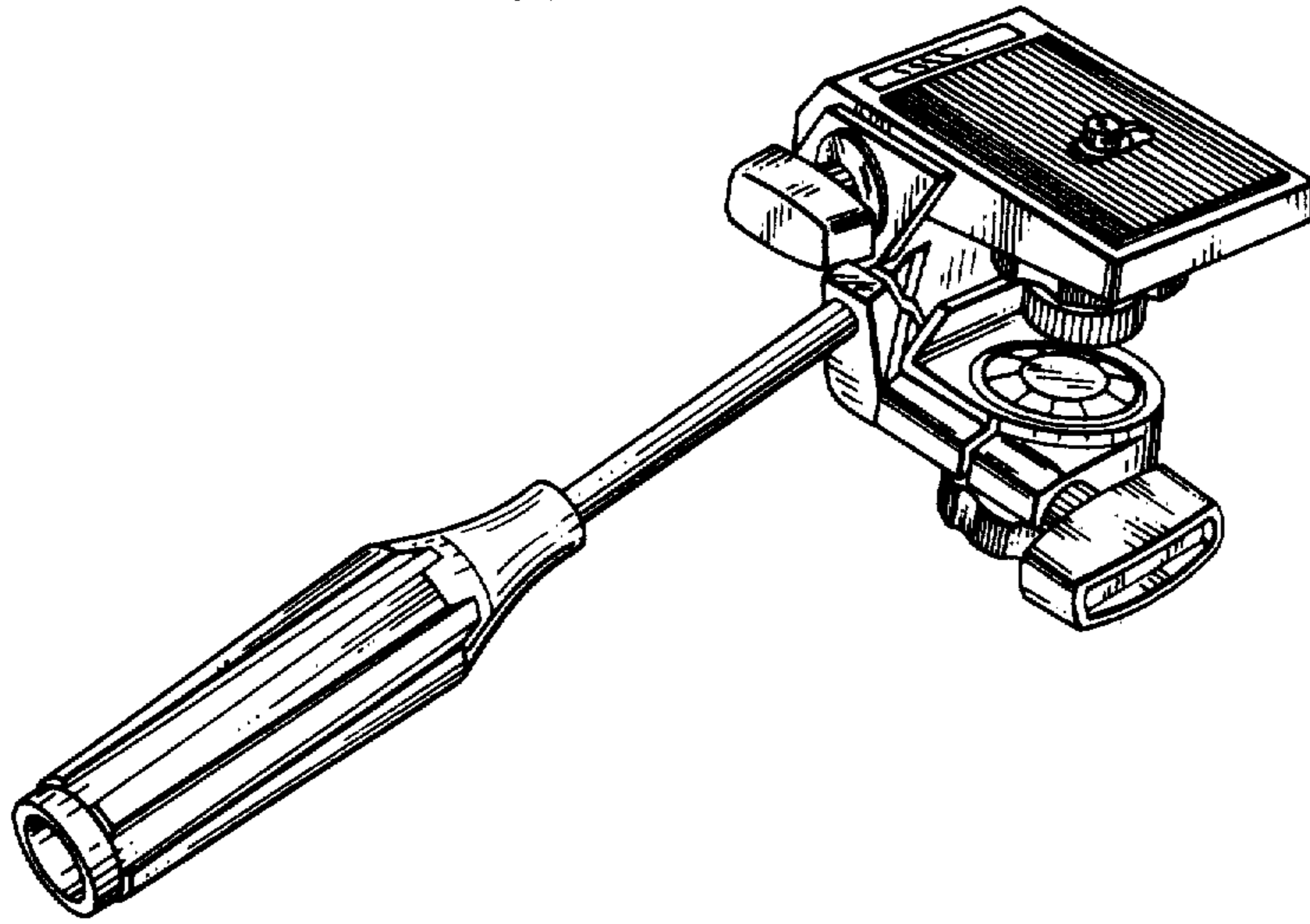


FIG. 16

F I G. 17



F I G. 18

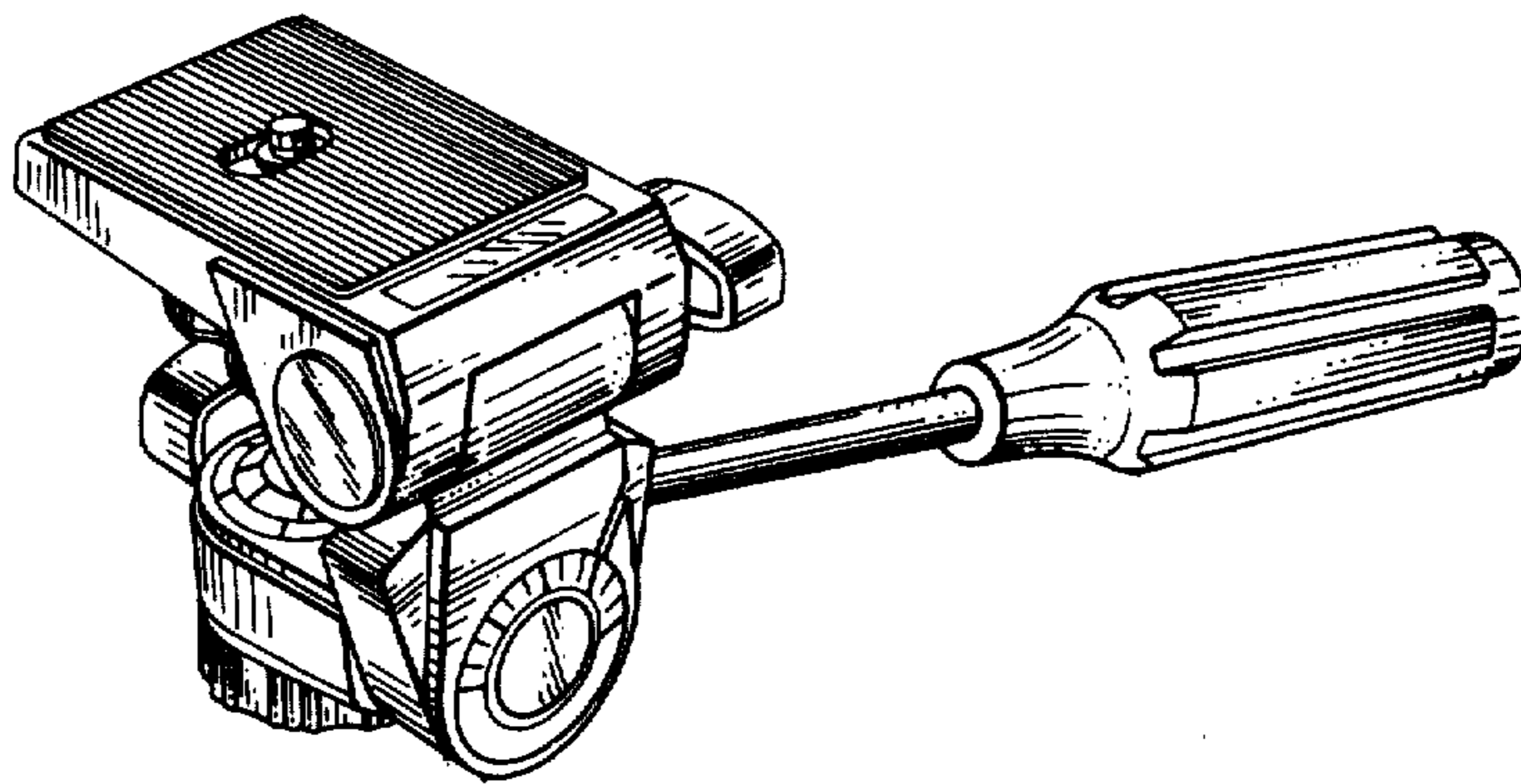


FIG. 19

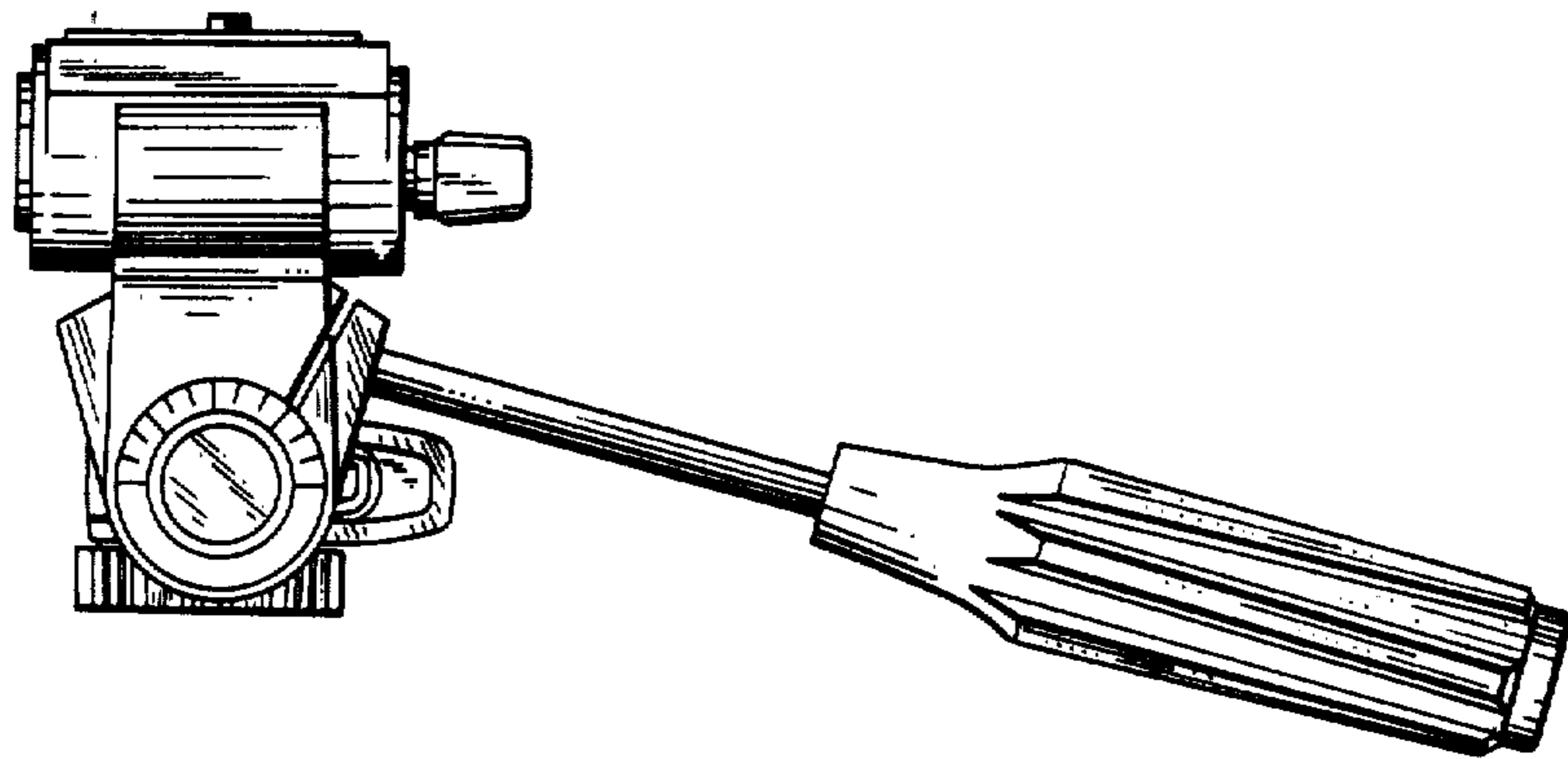


FIG. 20

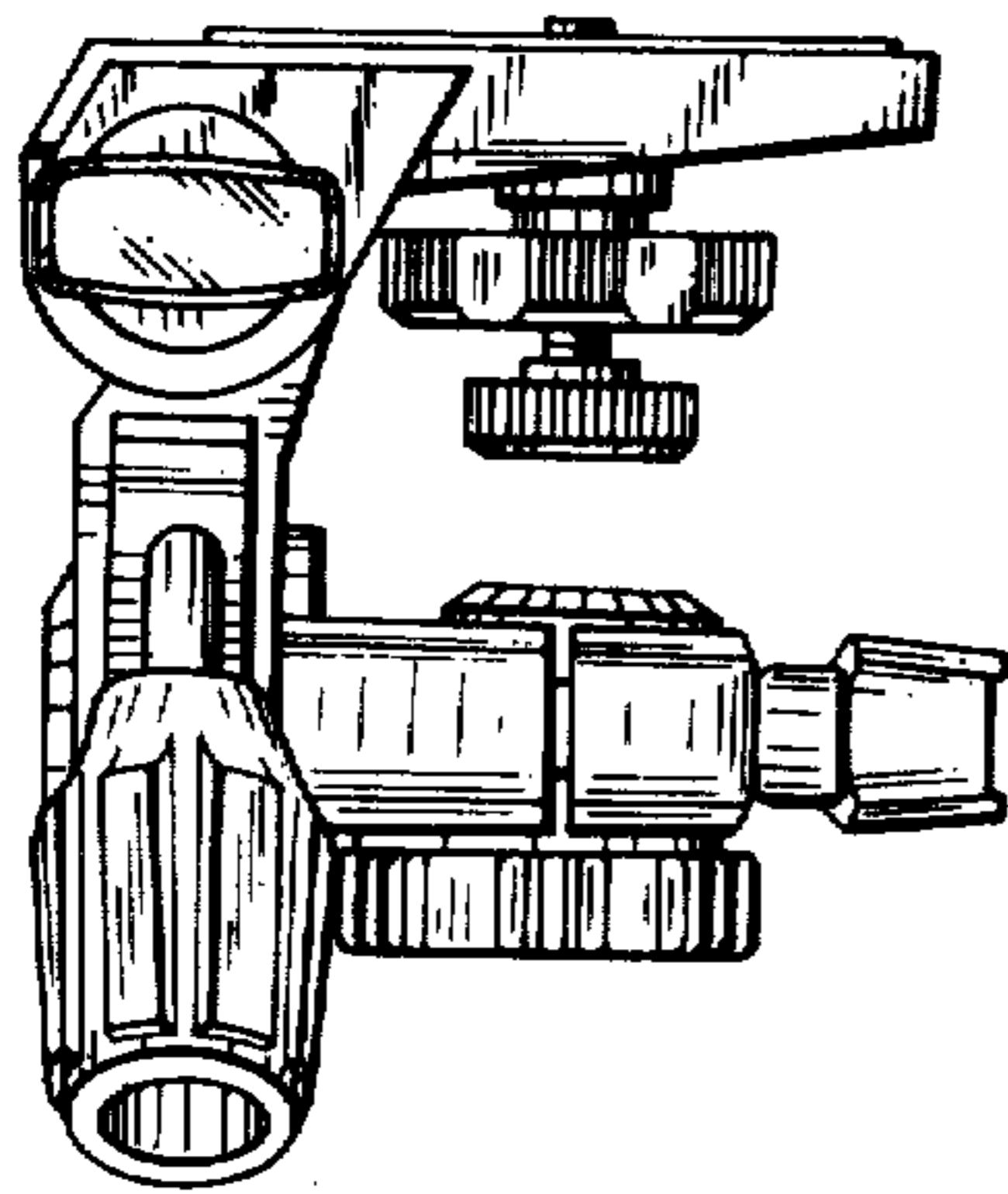
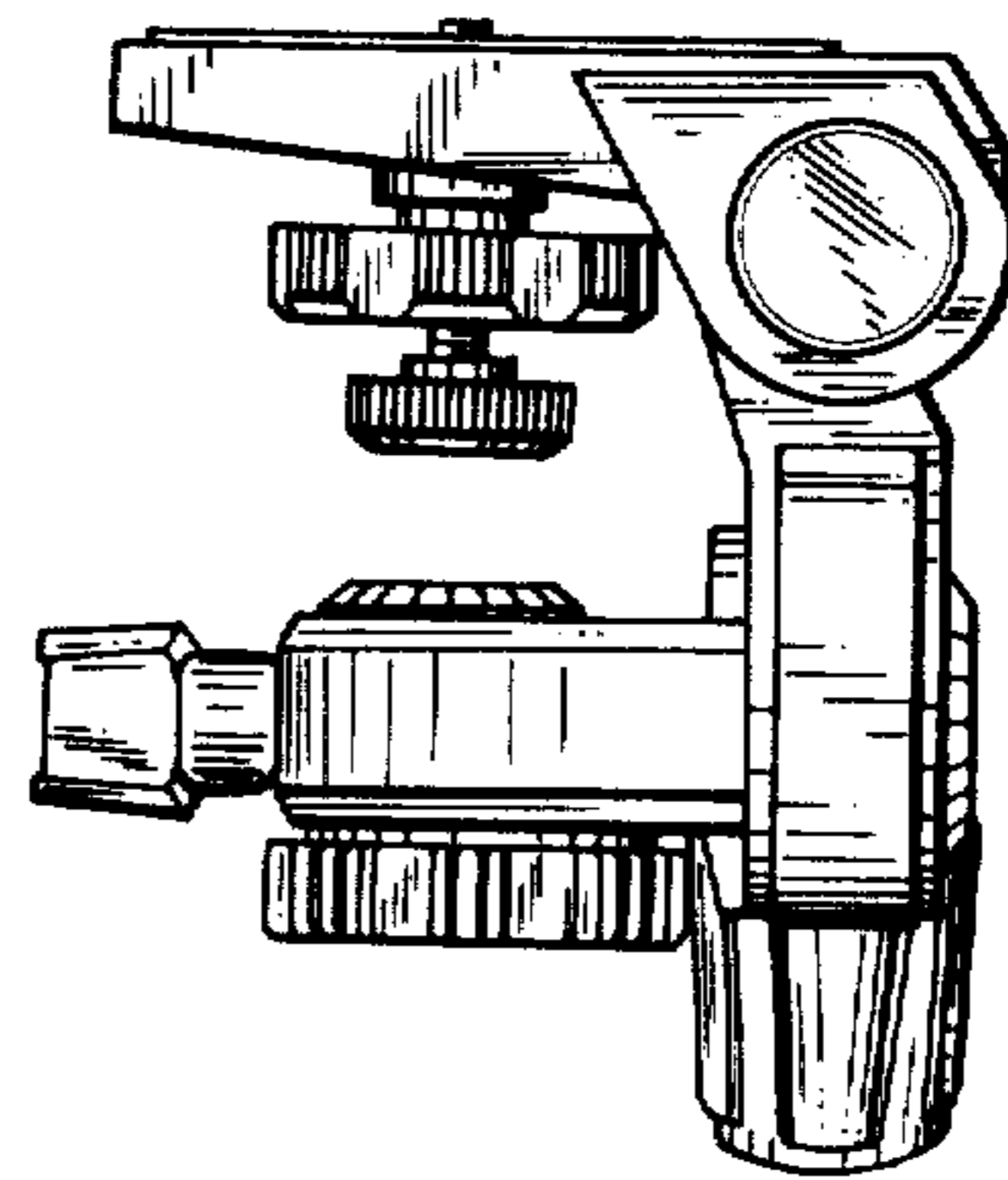


FIG. 21



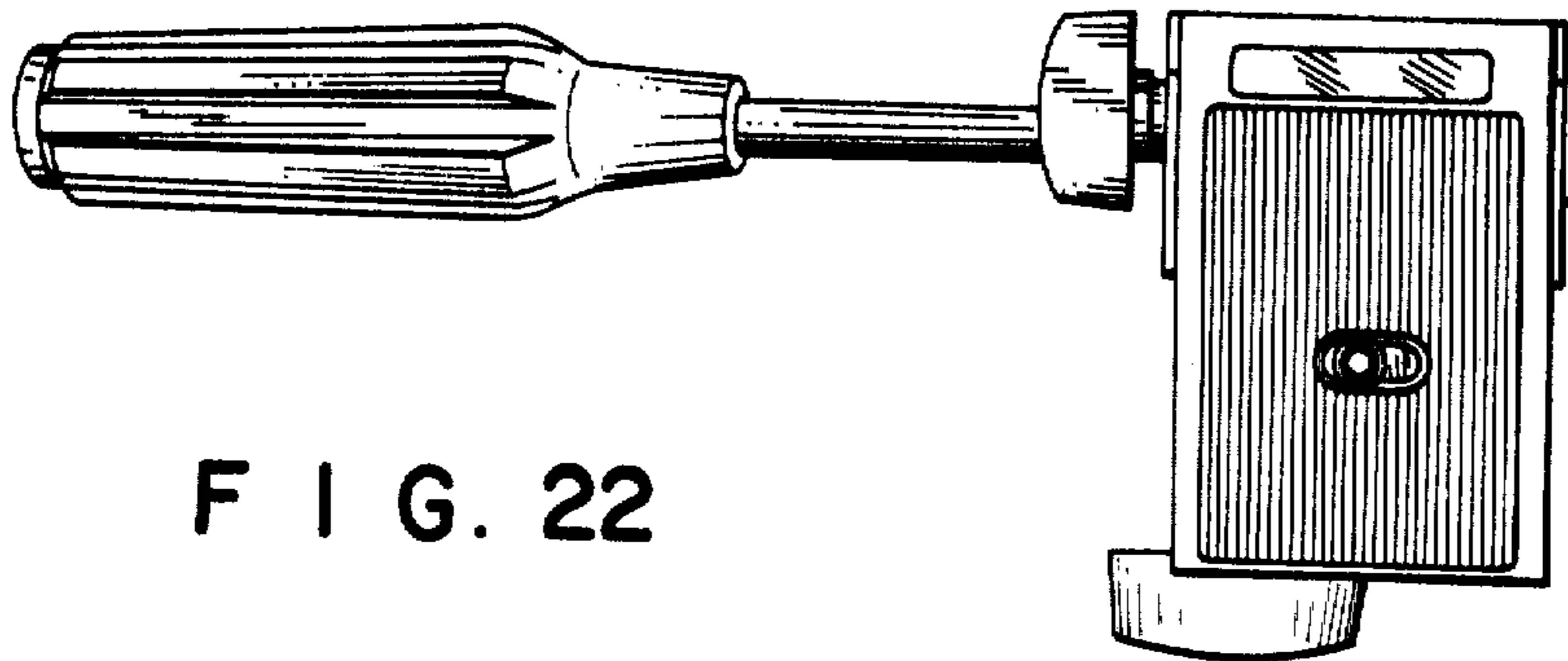


FIG. 22

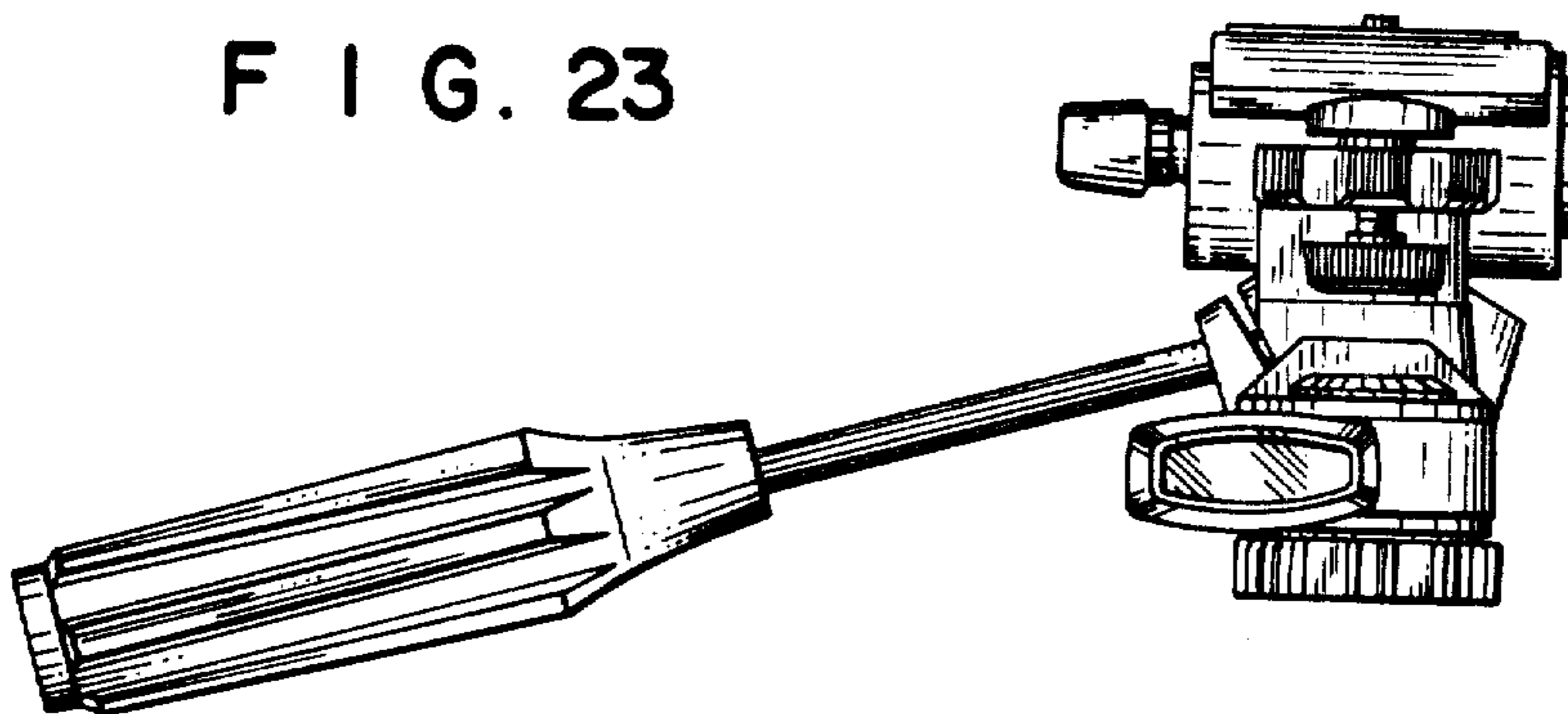


FIG. 23

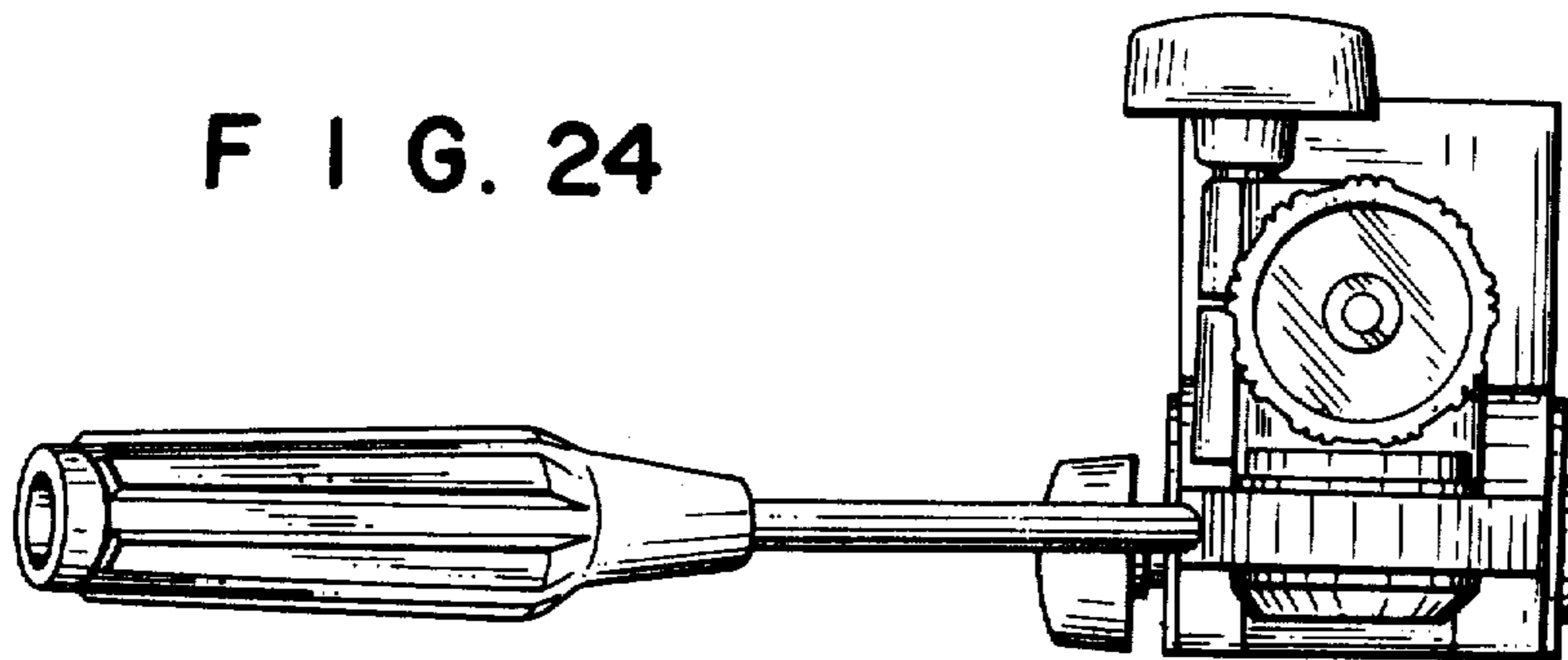


FIG. 24