

[54] **COMBINED BINOCULARS AND
 DETACHABLE CAMERA**

[75] Inventor: **Shogo Yamazaki, Tokyo, Japan**

[73] Assignee: **Ajia Amerikan Boueki Kabushiki
 Kaisha, Tokyo, Japan**

[**] Term: **14 Years**

[21] Appl. No.: **43,593**

[22] Filed: **May 29, 1979**

[30] **Foreign Application Priority Data**
 Feb. 27, 1979 [JP] Japan 54-007282

[51] Int. Cl. **D16-01**

[52] U.S. Cl. **D16/1; D16/133;
 350/36; 350/145; 354/79**

[58] **Field of Search** **D16/1-10,
 D16/59; 350/36, 135, 145; 354/75, 76, 79, 80,
 81, 82, 114, 202**

[56] **References Cited**

U.S. PATENT DOCUMENTS

2,013,288	9/1935	Porter	354/79
2,882,791	4/1959	Moller et al.	354/76
2,933,026	4/1960	Winzenburg	354/79
3,687,031	8/1972	Jahnsman	354/202
4,067,027	1/1978	Yamazaki	354/79

Primary Examiner—Peter M. Caun
Attorney, Agent, or Firm—James C. Wray

[57] **CLAIM**

The ornamental design for combined binoculars and detachable camera, as shown.

DESCRIPTION

FIG. 1 is a front elevation view of combined binoculars and detachable camera, showing my new design.
 FIG. 2 is a top plan view thereof.
 FIG. 3 is a rear elevation view thereof.
 FIG. 4 is a bottom view thereof.
 FIG. 5 is a side elevation view thereof.
 FIG. 6 is an opposite side elevation view thereof.
 FIG. 7 is a perspective view thereof.

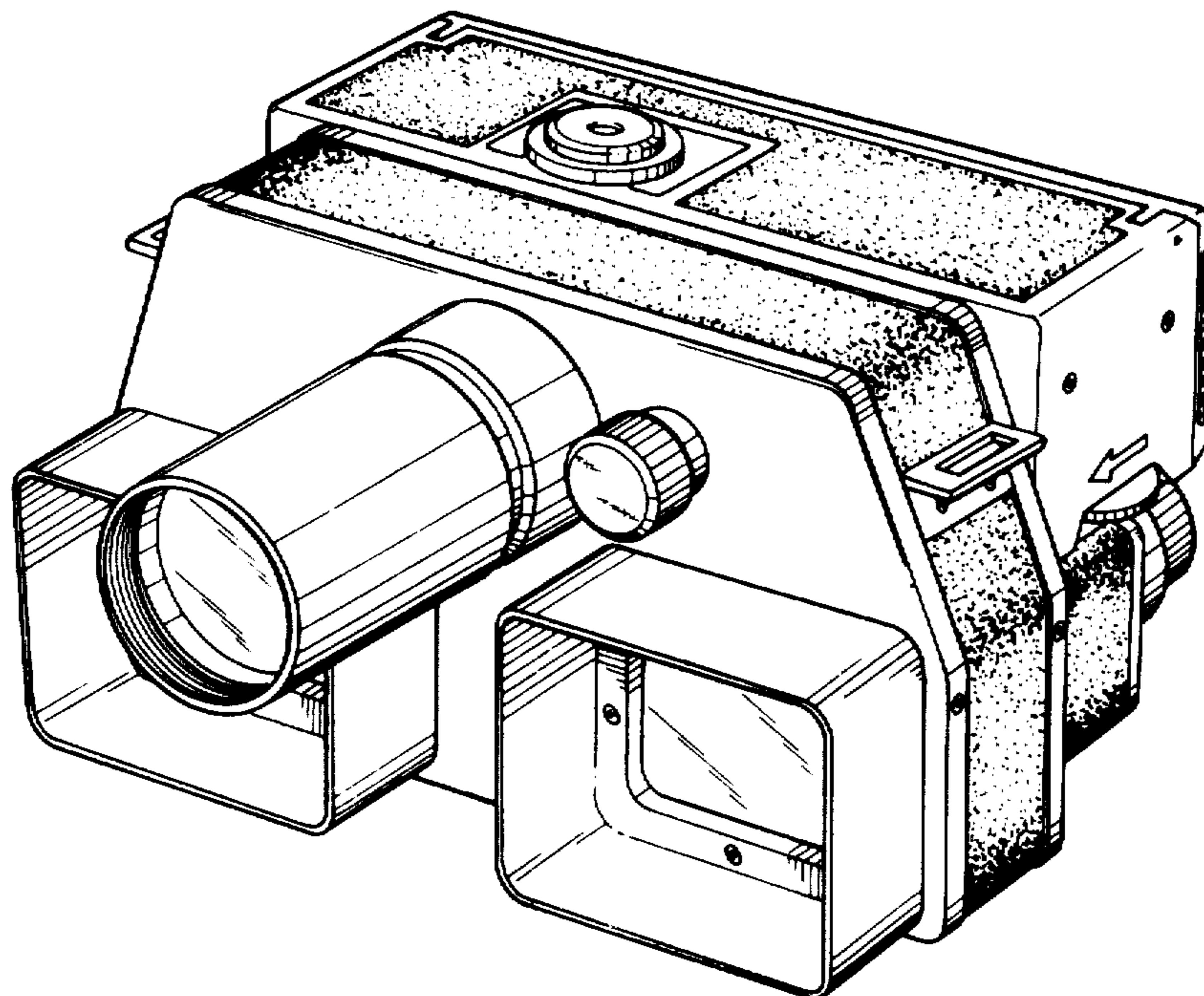


FIG.1

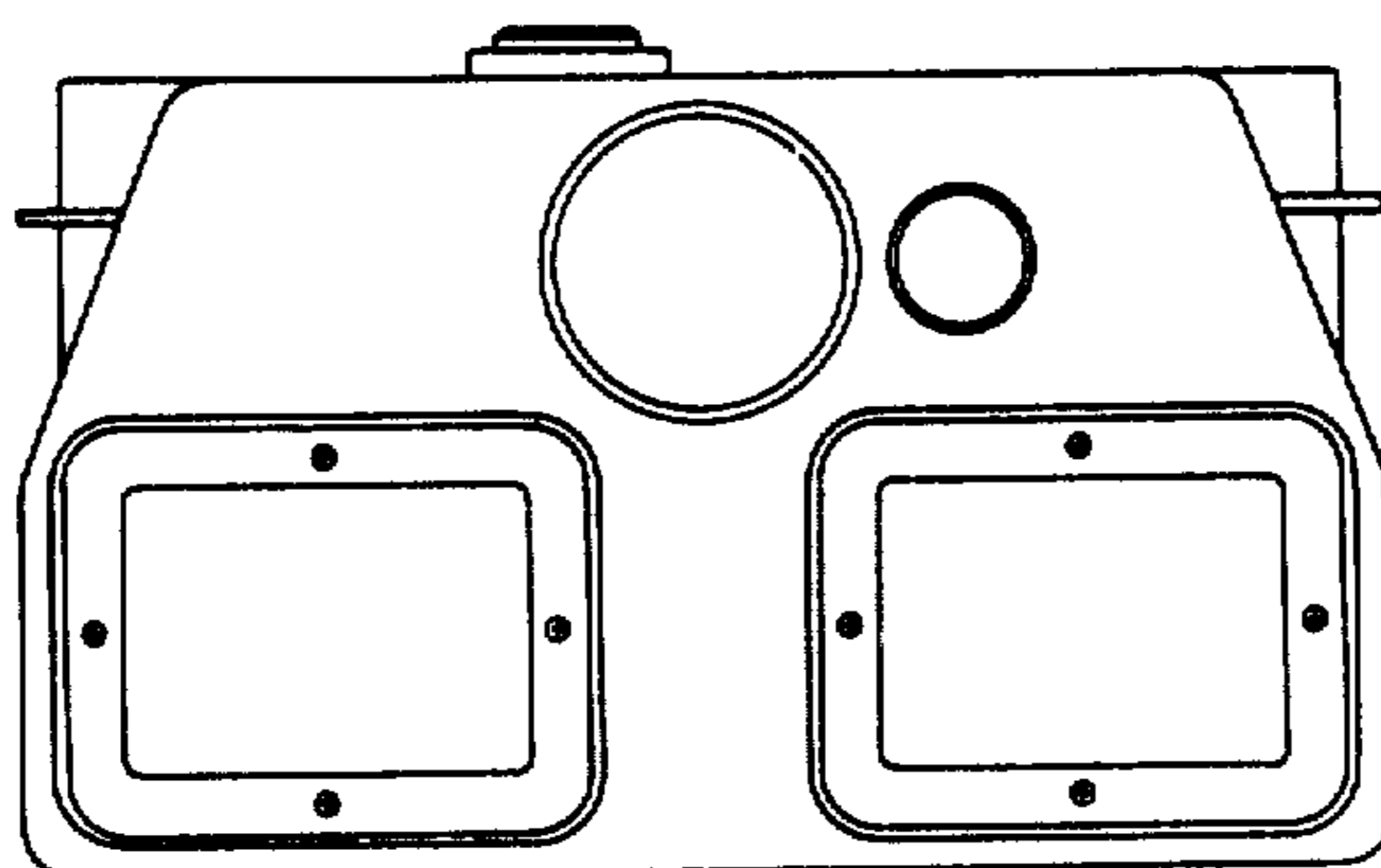


FIG.2

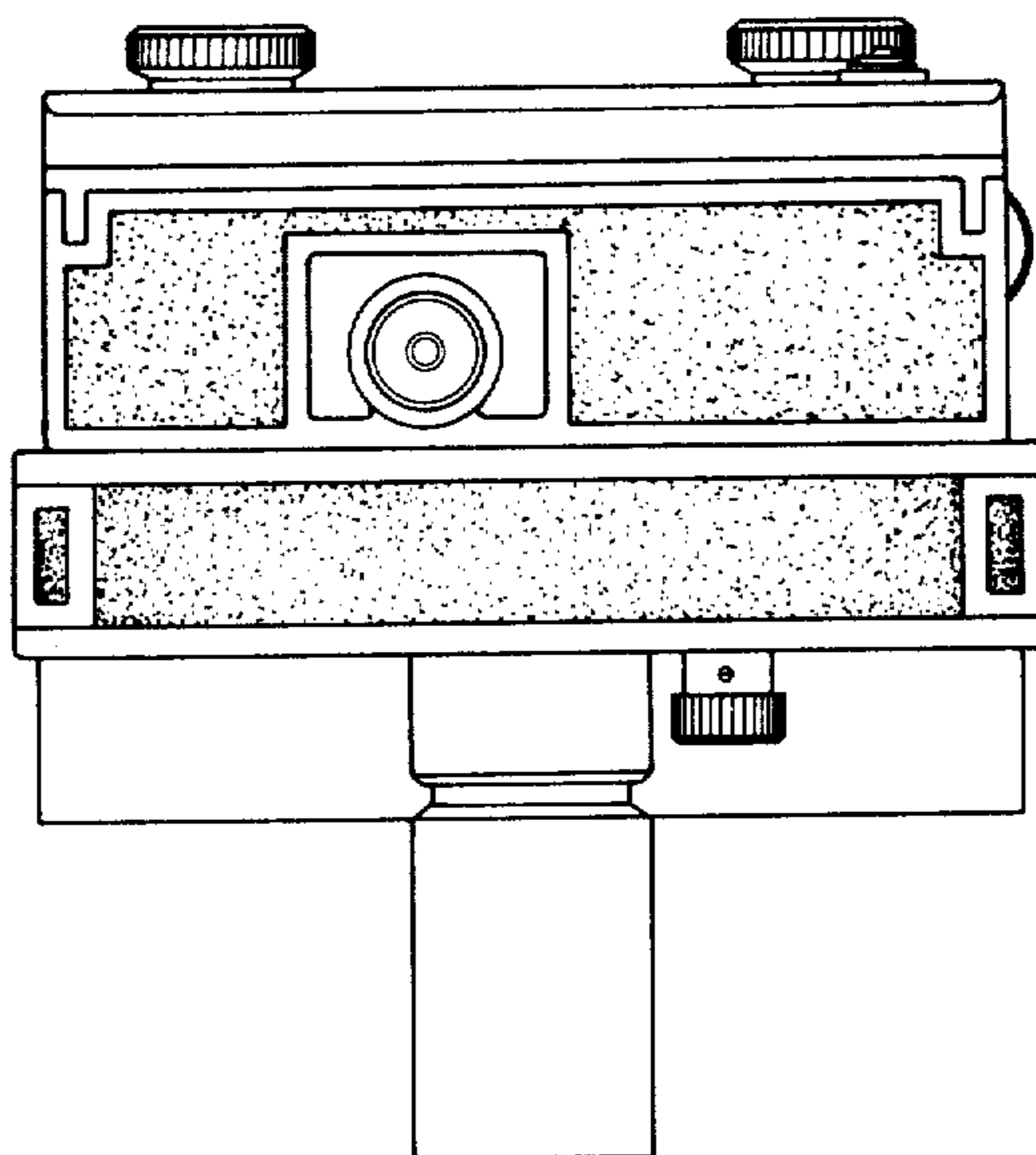


FIG.3

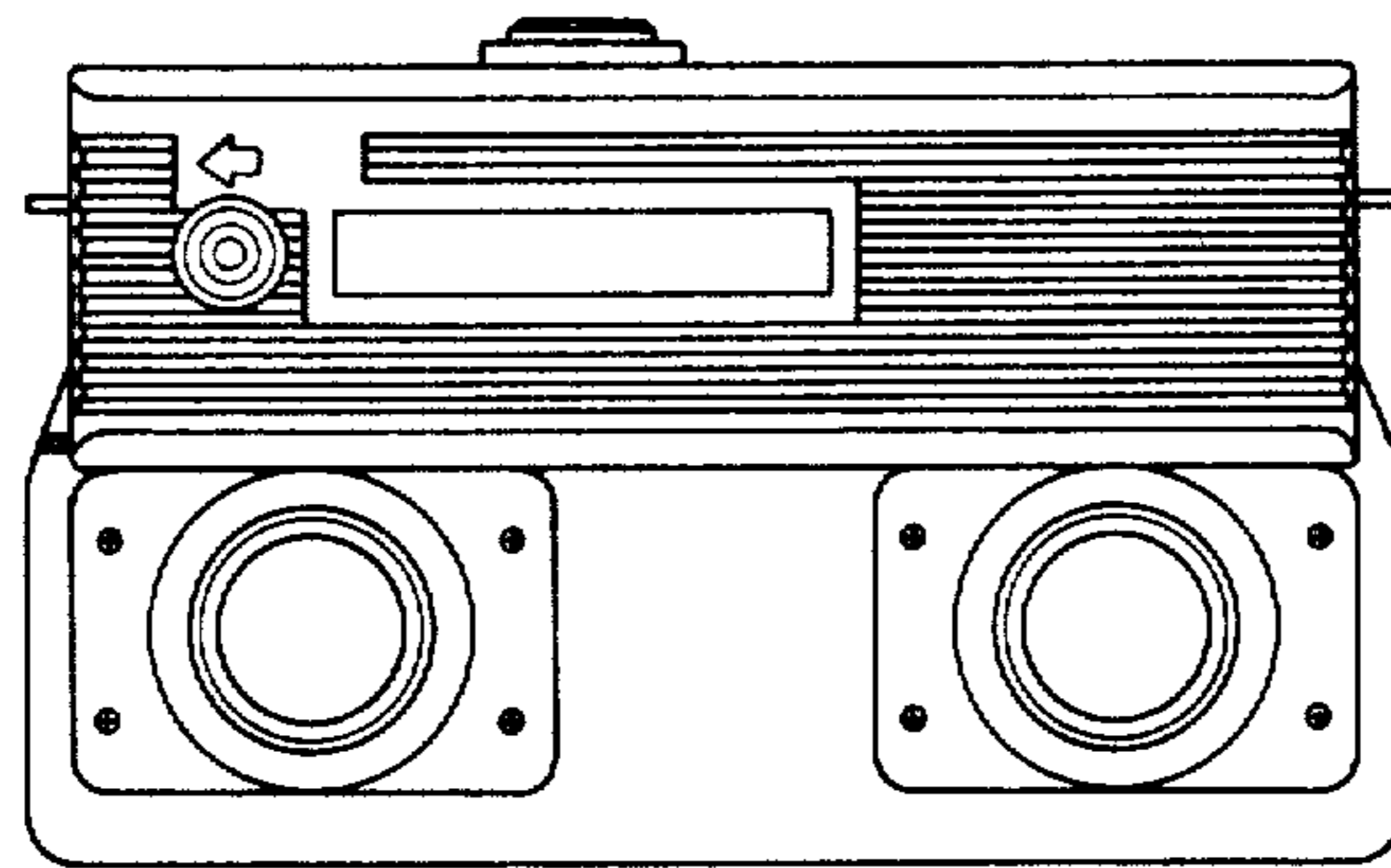


FIG.4

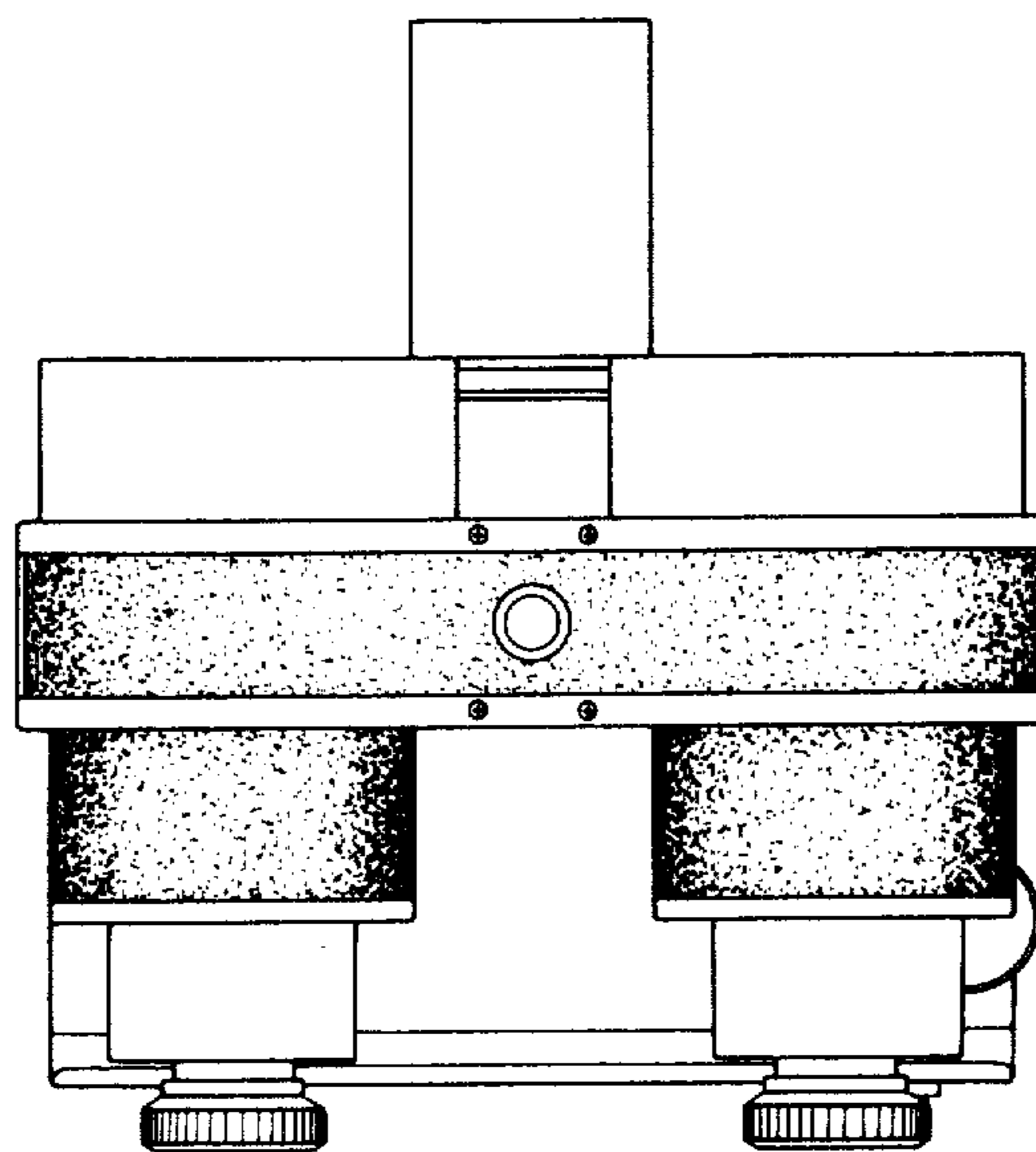


FIG.5

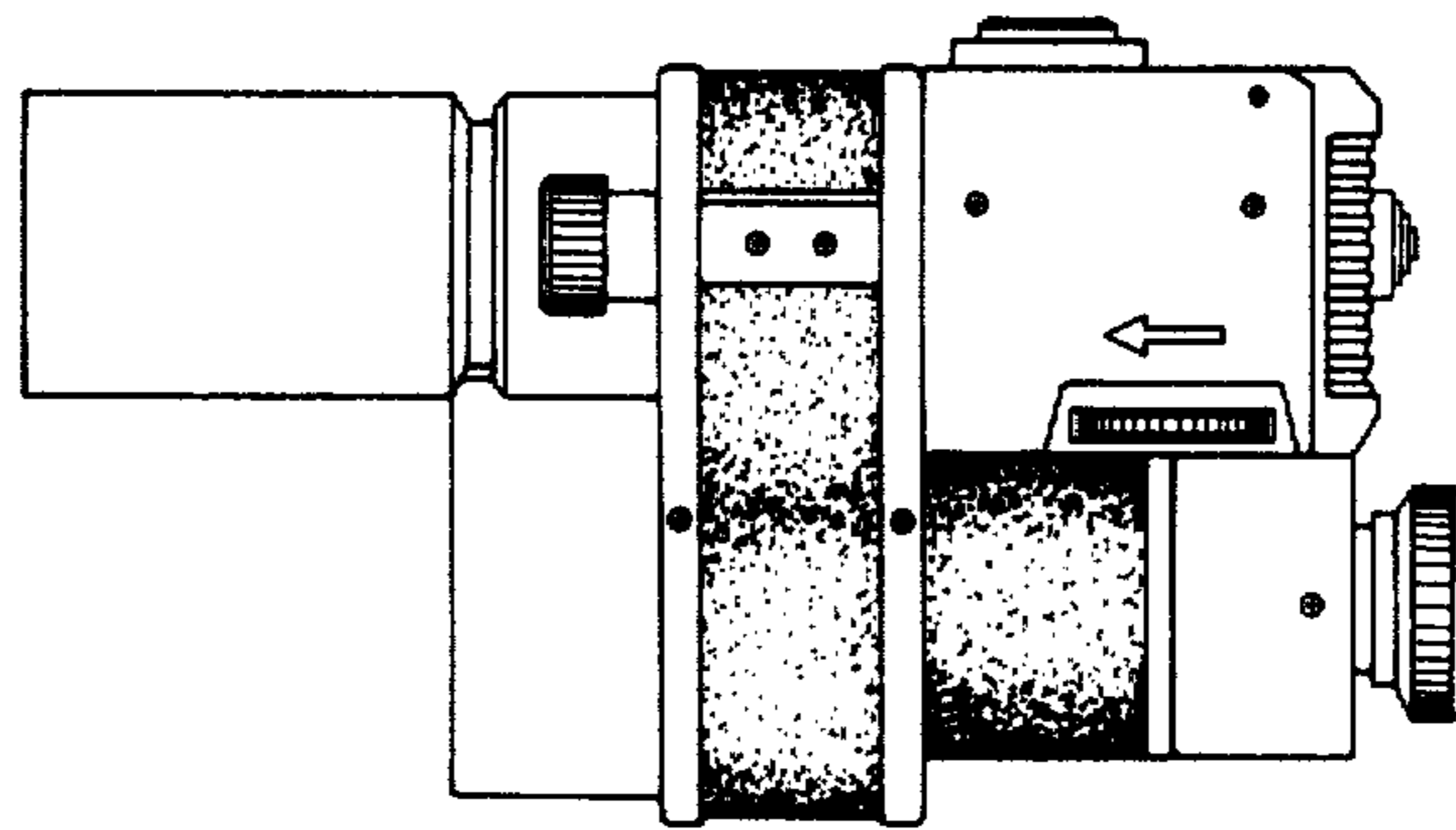


FIG.6

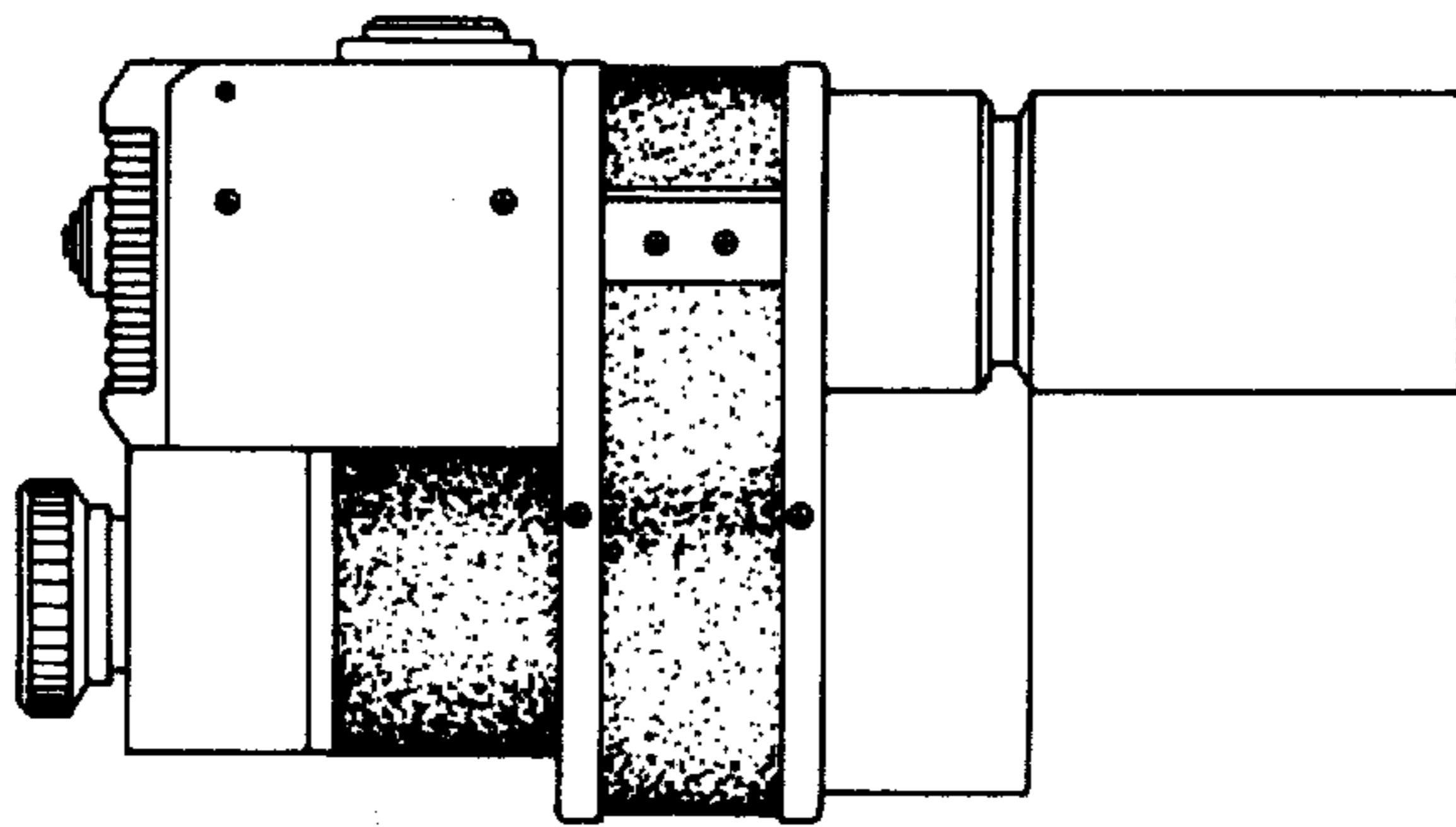


FIG.7

