

[54] LABEL APPLYING MACHINE

[75] Inventors: **Richard A. Branstner**, Birmingham;
Richard G. Clayton, Detroit; **Jerry J. Sims**, Southfield; **Jay Sucre**, Grosse Pointe Farms, all of Mich.

[73] Assignee: **Burroughs Corporation**, Detroit, Mich.

[**] Term: **14 Years**

[21] Appl. No.: **913,451**

[22] Filed: **Jun. 7, 1978**

[51] Int. Cl. **D18—02**

[52] U.S. Cl. **D15/145; D18/14; D18/99**

[58] Field of Search **D19/75; D18/34, 14, D18/99; D15/145, 199; 156/DIG. 1, 28, 33, 351, 361, 542, 442**

[56]

References Cited

U.S. PATENT DOCUMENTS

D. 201,391 6/1965 Hollerith D15/145
D. 228,810 10/1973 Zinni D18/99
3,676,257 7/1972 Ingalls 156/351

OTHER PUBLICATIONS

Office Products, 3/76, p. 24, Item bottom right cor.

Primary Examiner—George P. Word
Attorney, Agent, or Firm—Charles E. Quarton; Carl Fissell, Jr.; Robert L. Kaner

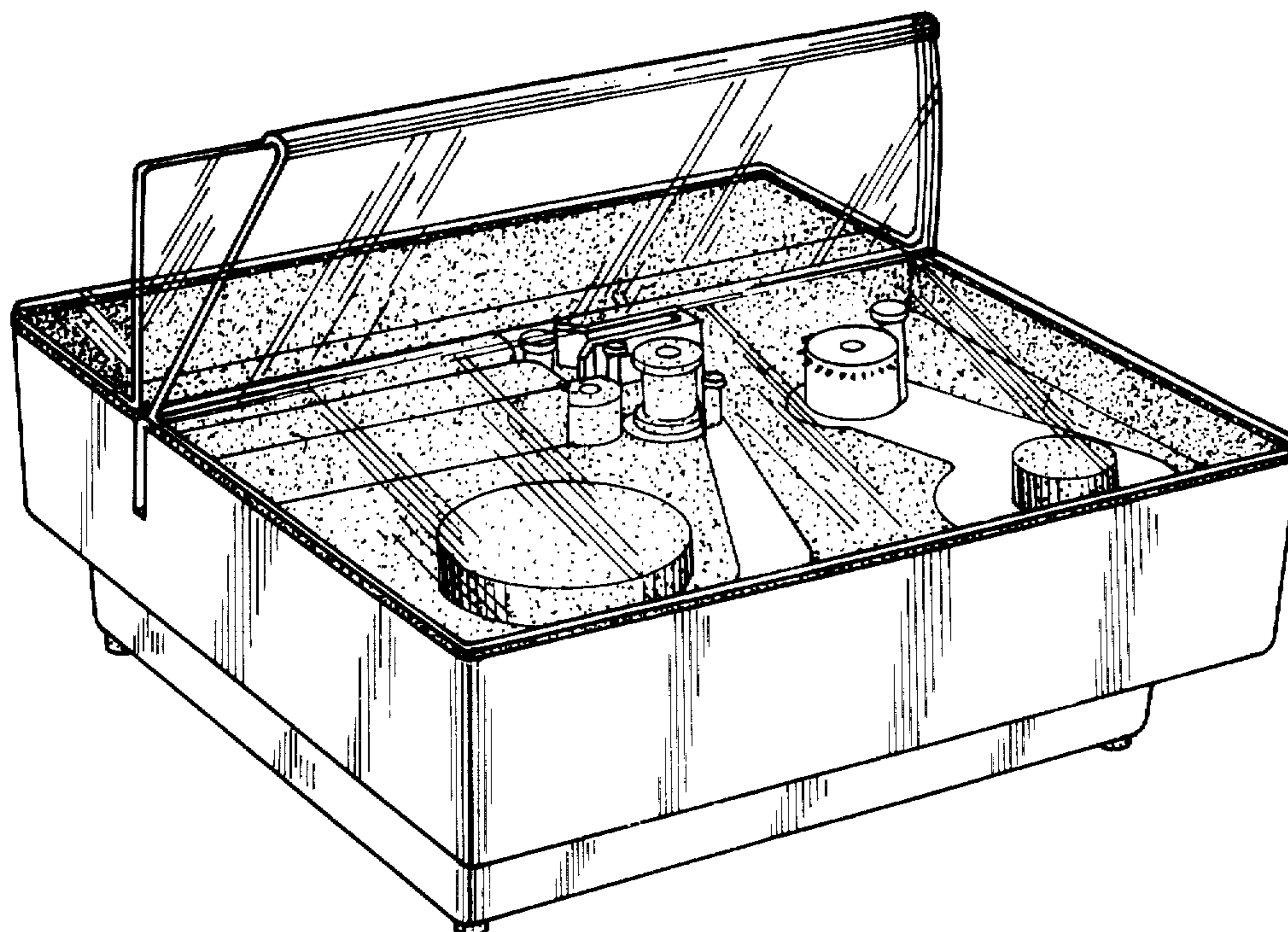
[57]

CLAIM

The ornamental design for a label applying machine, substantially as shown and described.

DESCRIPTION

FIG. 1 is a front perspective view of a label applying machine showing our new design; FIG. 2 is a rear perspective view thereof, a portion of the power cord being omitted for convenience of illustration; and FIG. 3 is a front elevational view thereof.



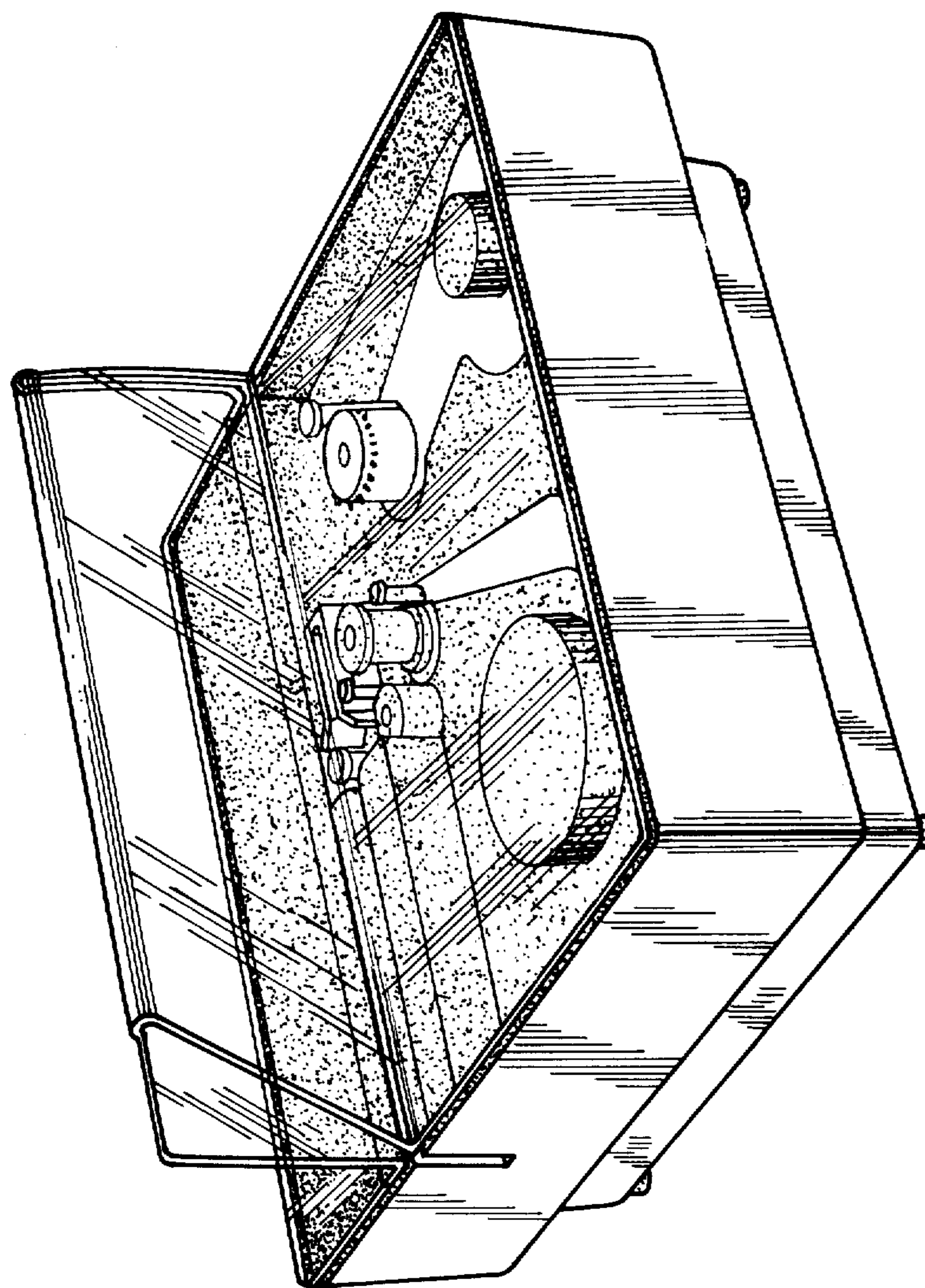


FIG. 1.

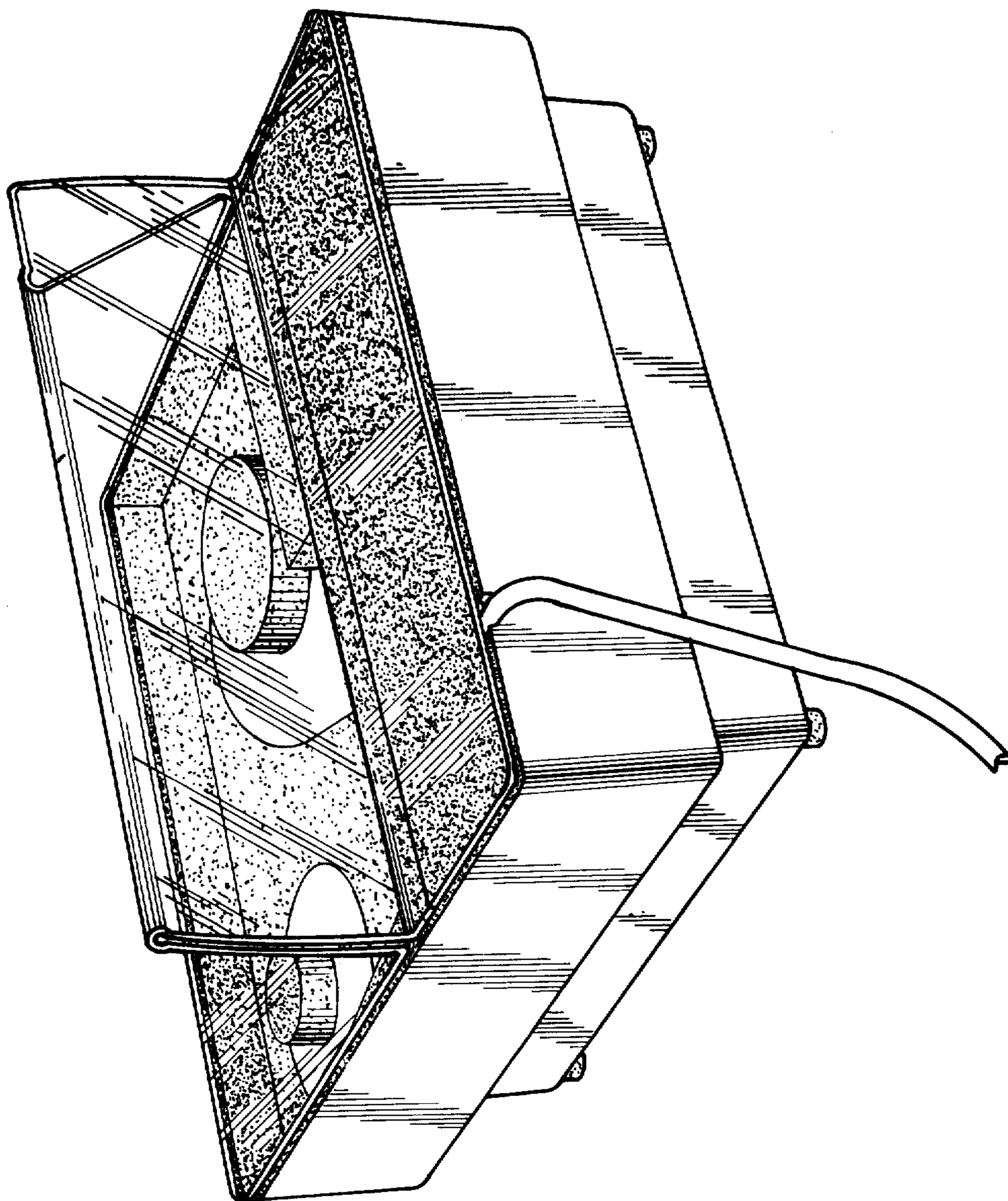


FIG. 2.

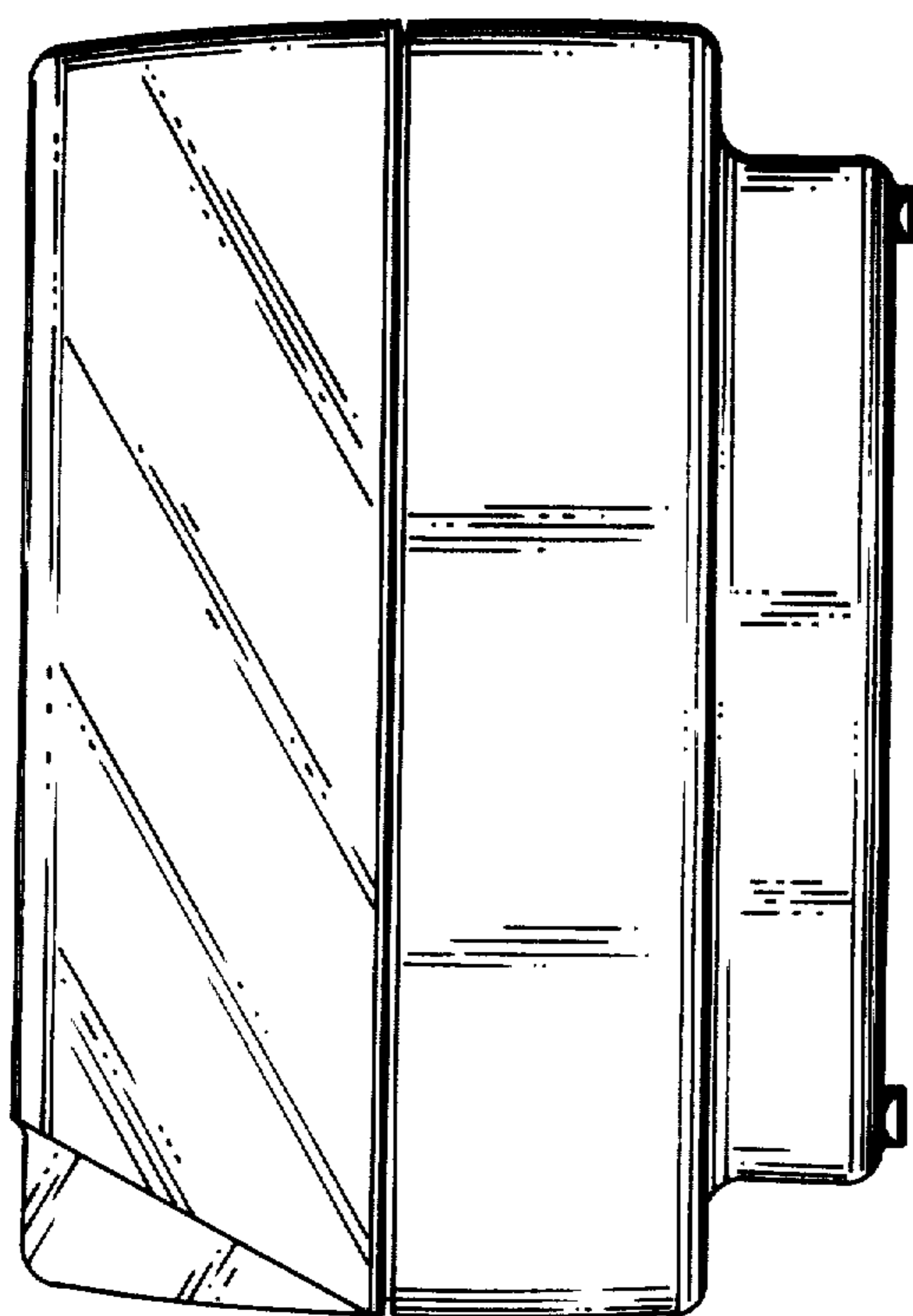


FIG.3.