

[54] AUTOMATIC PAINT COLORANT DISPENSER

3,044,666 7/1962 Dyer ..... 222/145  
3,119,527 1/1964 Dyer ..... 222/144.5

[75] Inventor: Harold L. Meyer, Wheaton, Ill.

Primary Examiner—B. J. Bullock  
Attorney, Agent, or Firm—Mason, Kolehmainen,  
Rathburn & Wyss

[73] Assignee: Miller Paint Equipment, Inc.,  
Addison, Ill.

[\*\*] Term: 14 Years

[57] CLAIM

[21] Appl. No.: 94,199

The ornamental design for an automatic paint colorant dispenser, substantially as shown.

[22] Filed: Nov. 14, 1979

DESCRIPTION

[51] Int. Cl. .... D15—09

[52] U.S. Cl. .... D15/122; D15/199

[58] Field of Search ..... D15/122, 199; 222/129,  
222/144.5, 145, 255

FIG. 1 is a front perspective view of an automatic paint colorant dispenser showing my new design;  
FIG. 2 is a side elevational view taken from the left of FIG. 1;  
FIG. 3 is a top plan view thereof, the bottom being unornamented;  
FIG. 4 is a front elevational view thereof;  
FIG. 5 is a rear elevational view thereof;  
FIG. 6 is a side elevational view taken from the right of FIG. 1.

[56] References Cited

U.S. PATENT DOCUMENTS

- D. 173,685 12/1954 Spilman et al. .... D15/122
- D. 184,967 4/1959 Stuman ..... D15/122
- D. 185,458 6/1959 Morris et al. .... D15/122

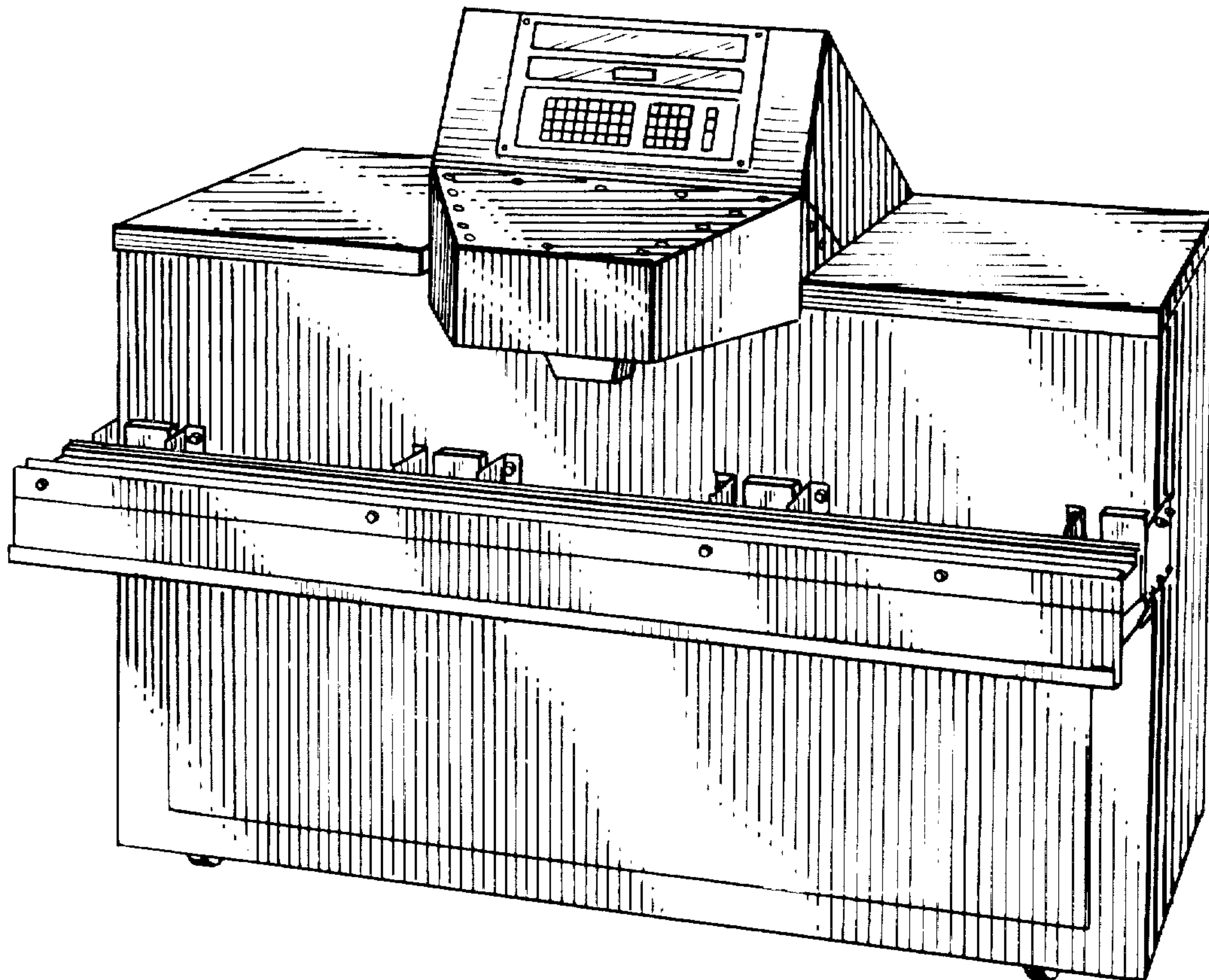


FIG. 1

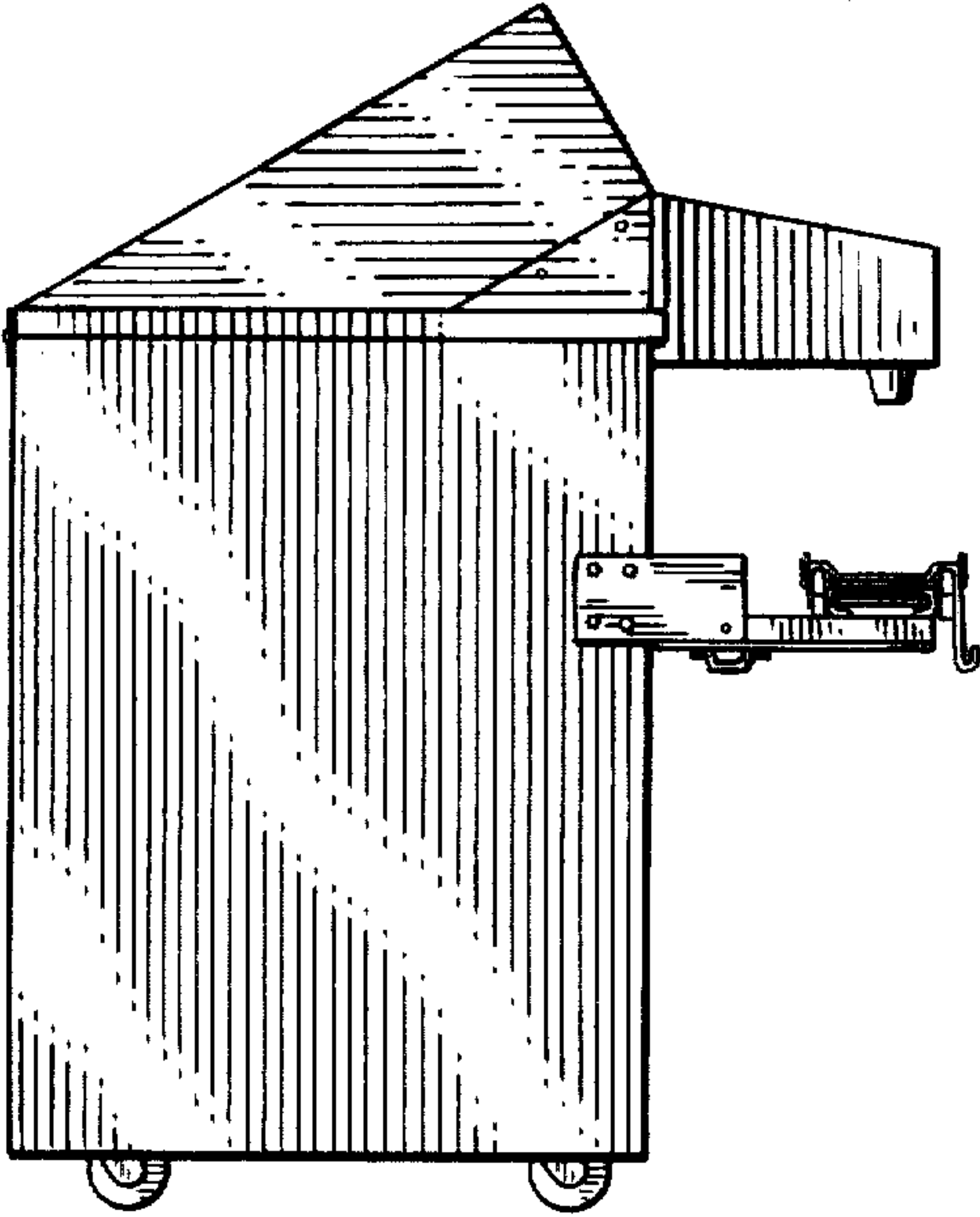
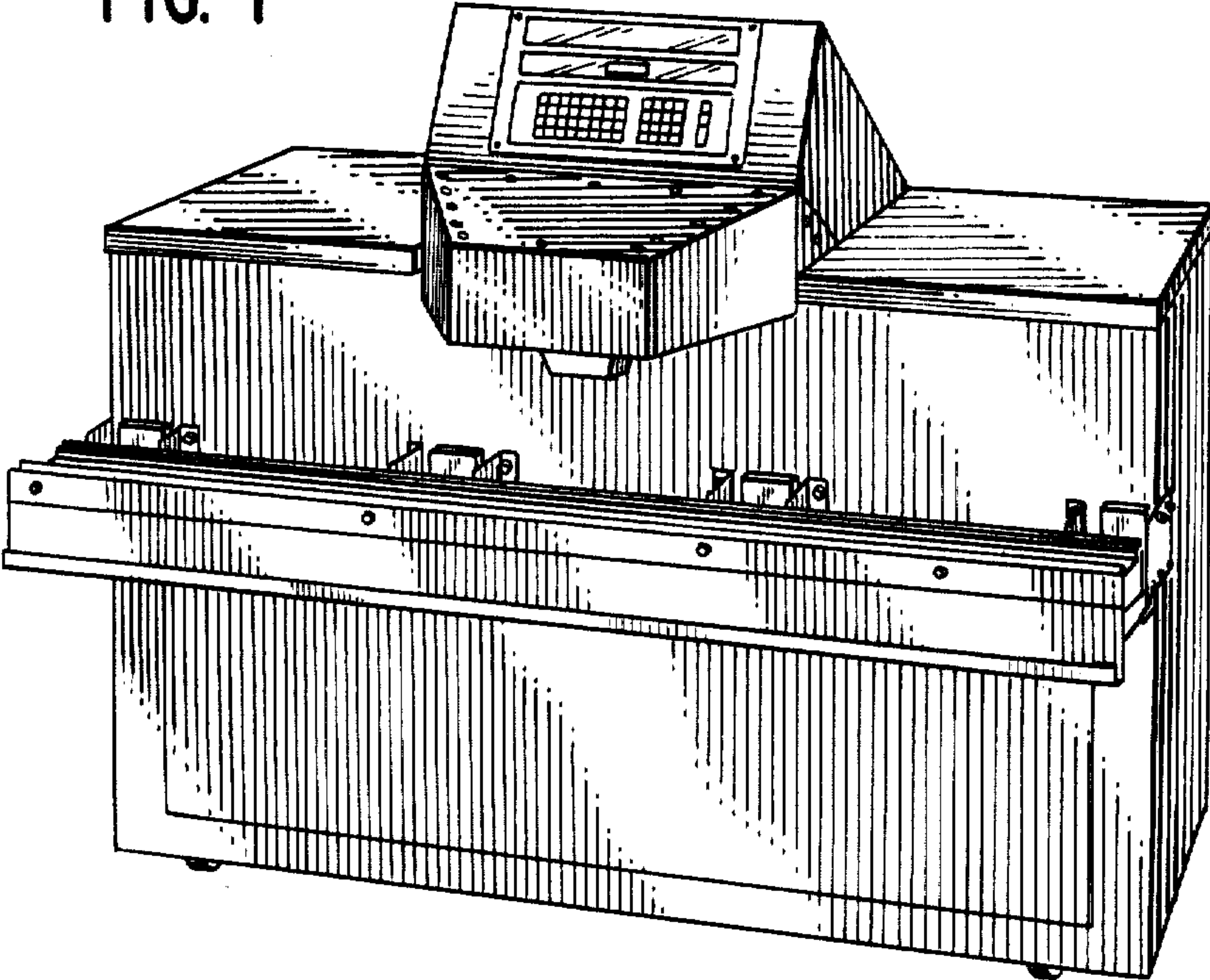


FIG. 2

FIG. 3

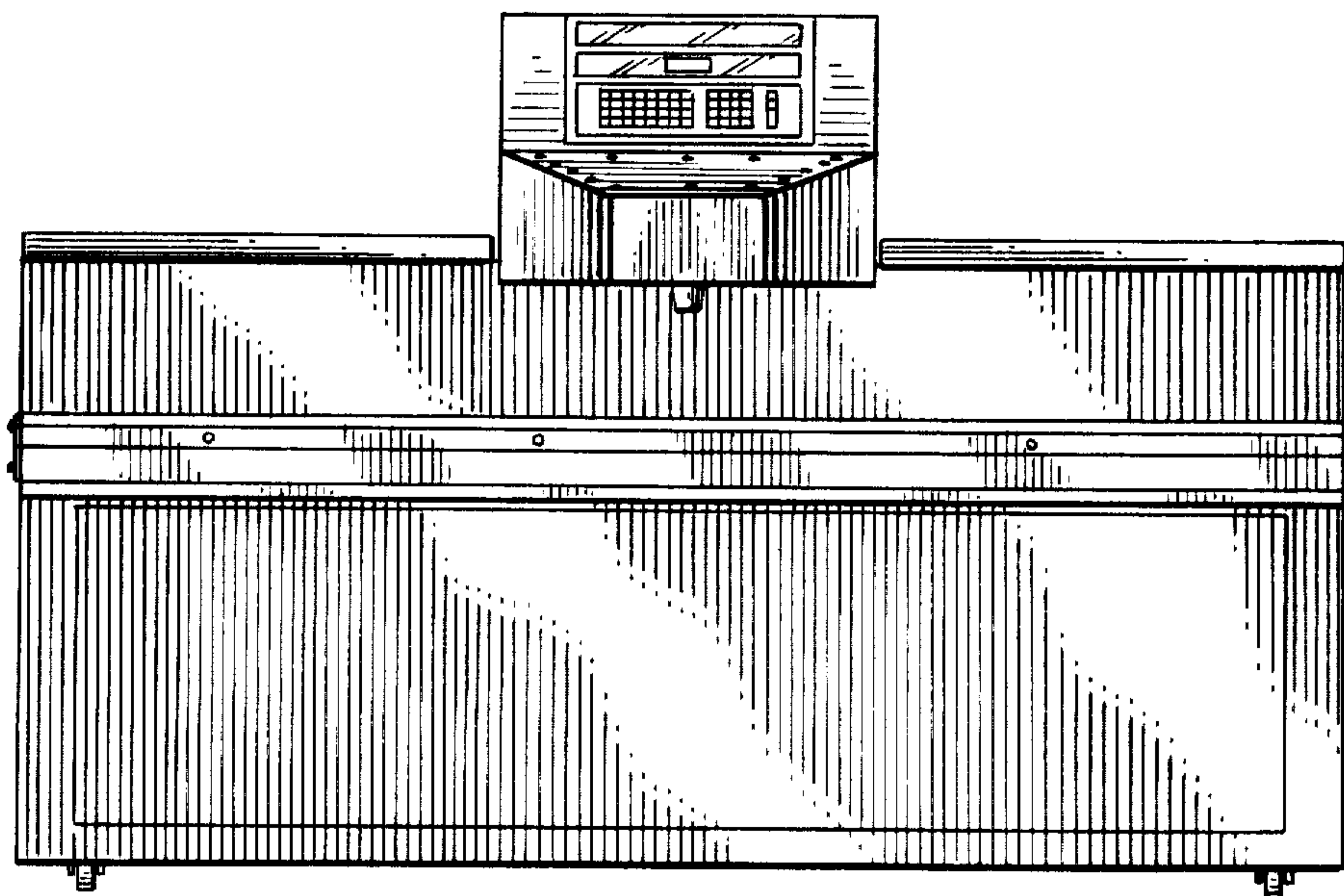
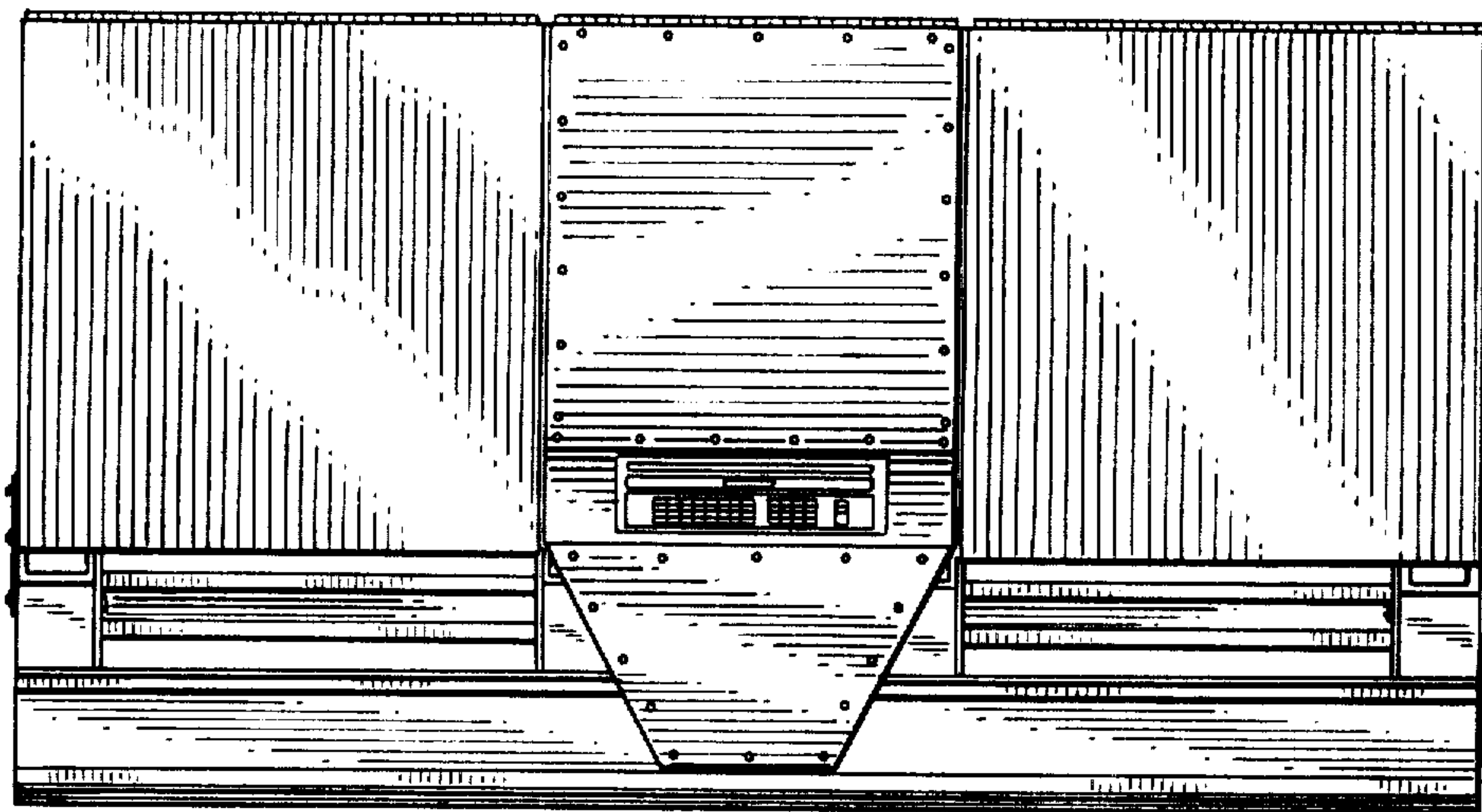


FIG. 4

FIG. 5

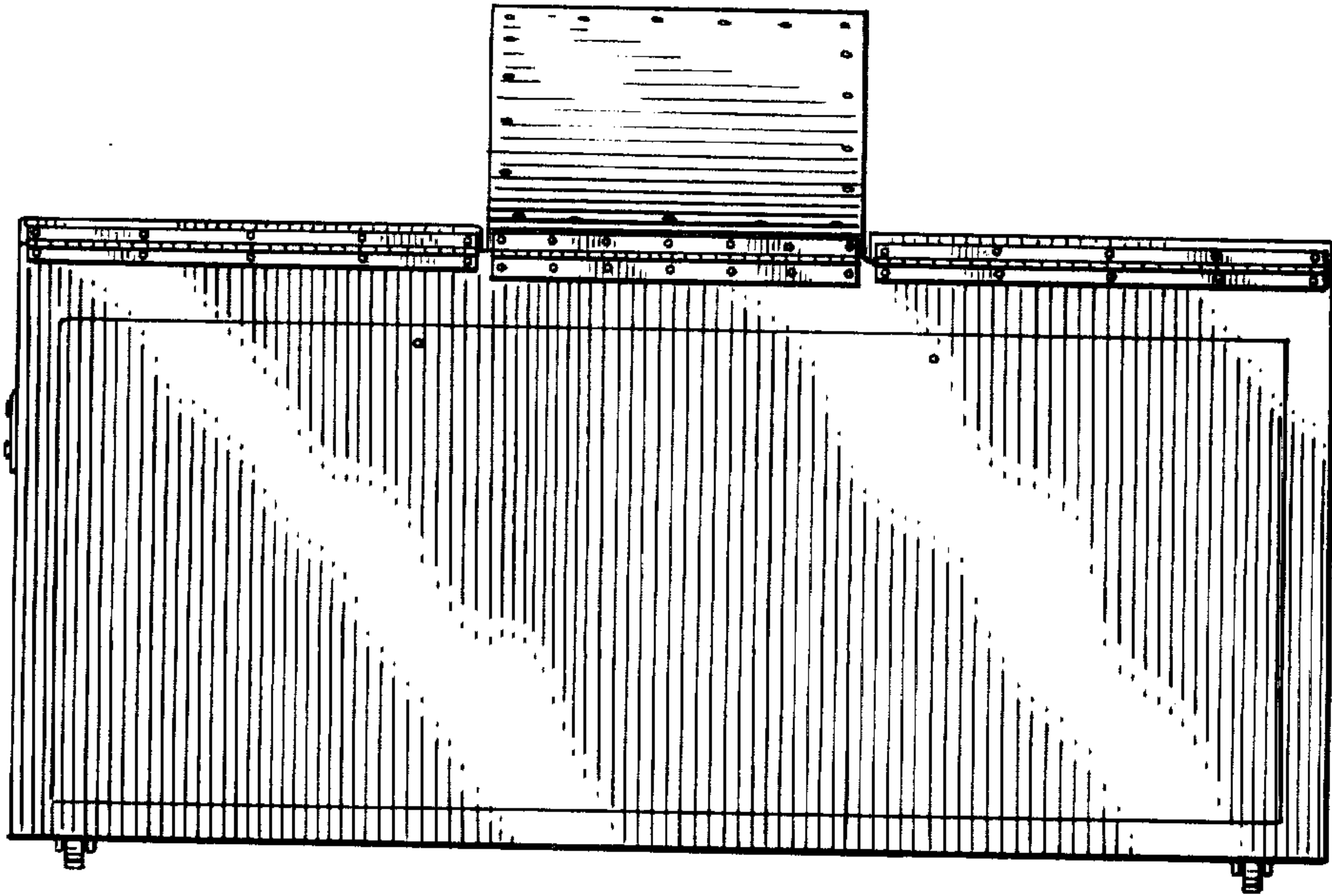


FIG. 6

