

[54] LIQUID APPLICATOR

[75] Inventors: Thomas J. David, Worthington; Jerome A. Waker, Casstown; James F. Wilkinson, Worthington, all of Ohio

[73] Assignee: Chem-Lawn Corporation, Columbus, Ohio

[**] Term: 14 Years

[21] Appl. No.: 67,073

[22] Filed: Aug. 15, 1979

[51] Int. Cl. D15-03

[52] U.S. Cl. D15/13

[58] Field of Search D15/13; 239/146, 157, 239/156

[56] References Cited

U.S. PATENT DOCUMENTS

D. 232,938 9/1974 Hettich et al. D15/13

Primary Examiner—James M. Gandy
Attorney, Agent, or Firm—Biebel, French & Nauman

[57] CLAIM

The ornamental design for a liquid applicator, substantially as shown and described.

DESCRIPTION

FIG. 1 is a perspective view from the right front side of the liquid applicator showing our new design; FIG. 2 is a front elevational view thereof; FIG. 3 is a rear elevational view thereof; FIG. 4 is an elevational view of the left side thereof; FIG. 5 is a top plan view thereof; and FIG. 6 is a bottom plan view thereof.

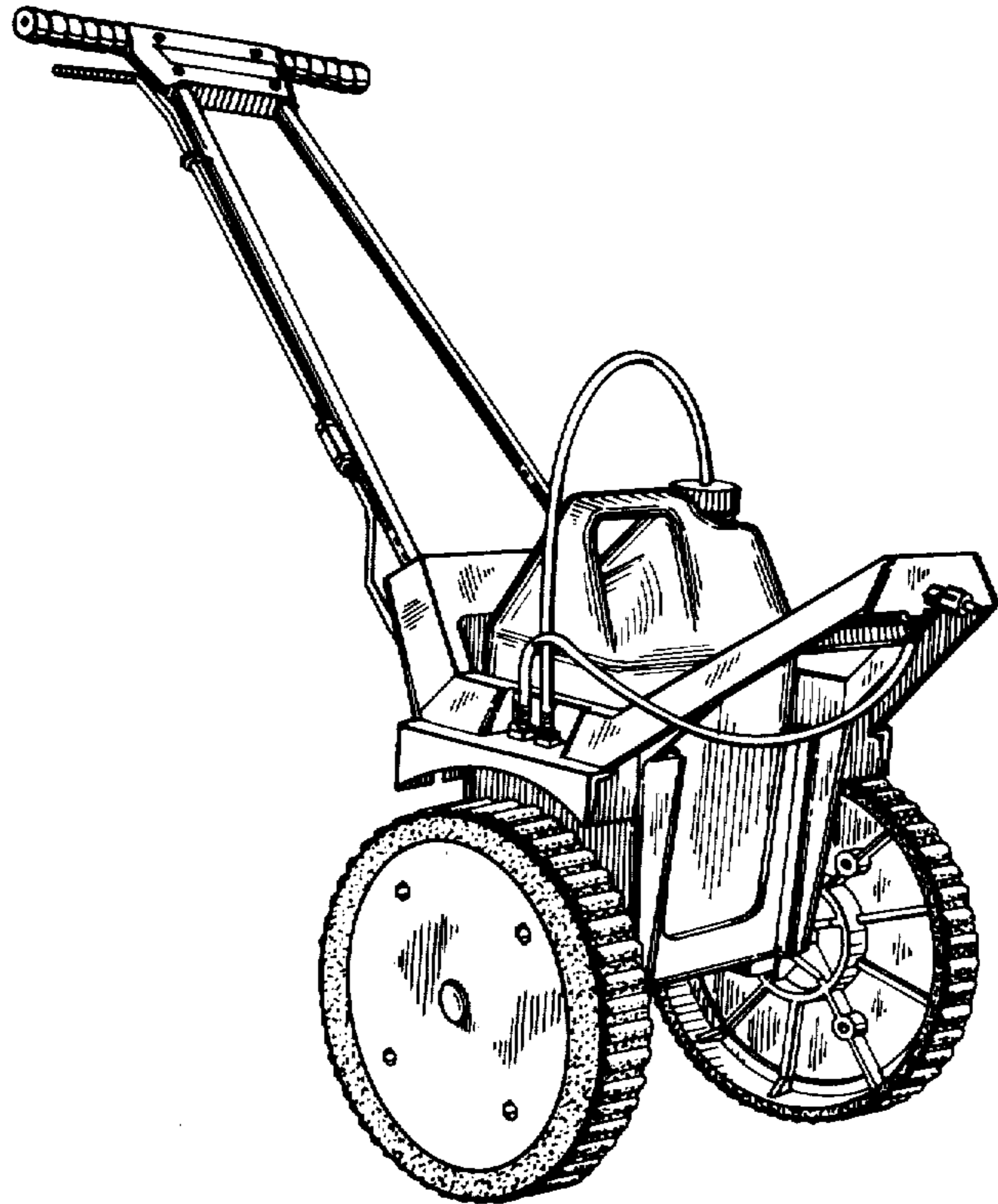


FIG-1

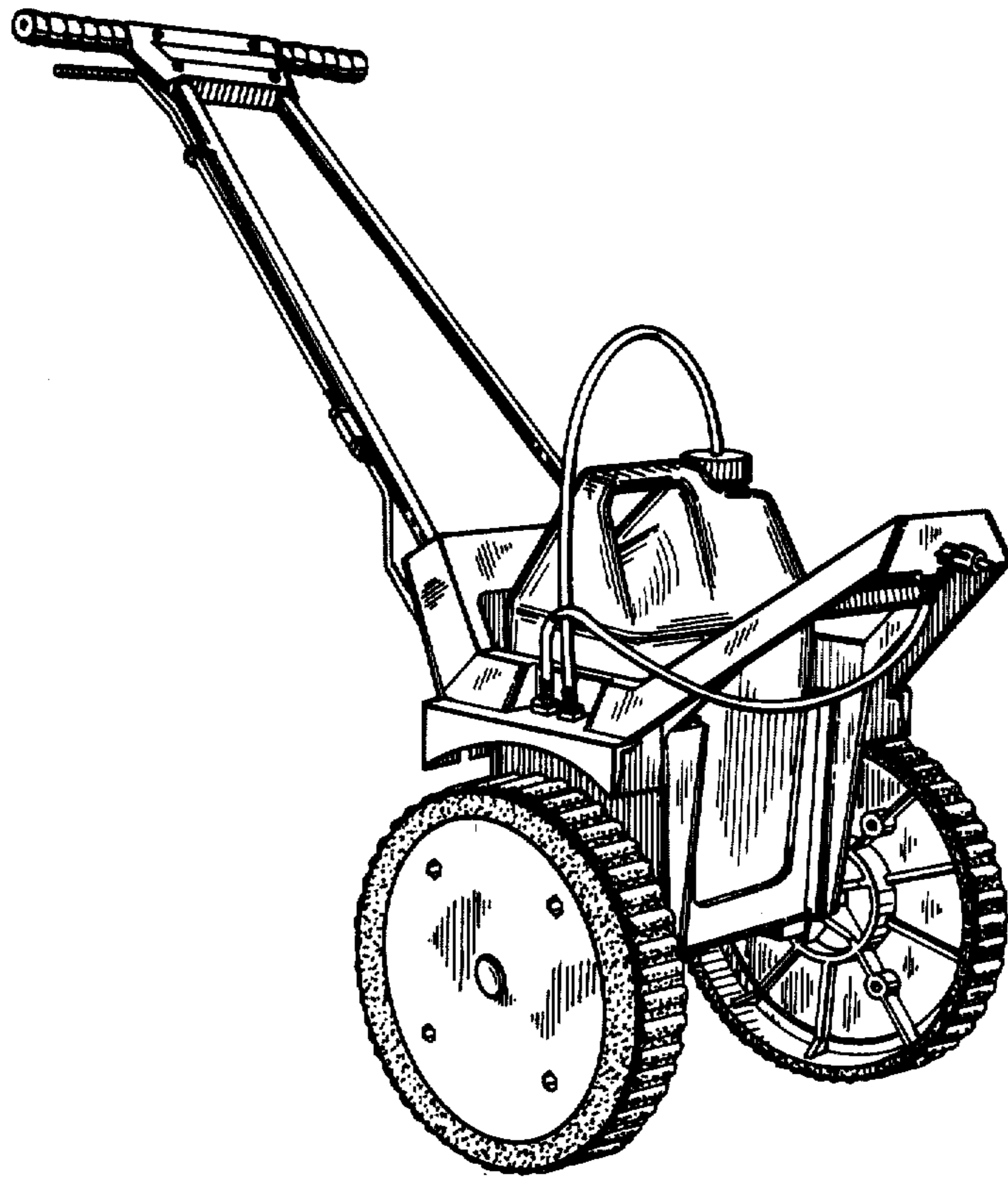


FIG-2

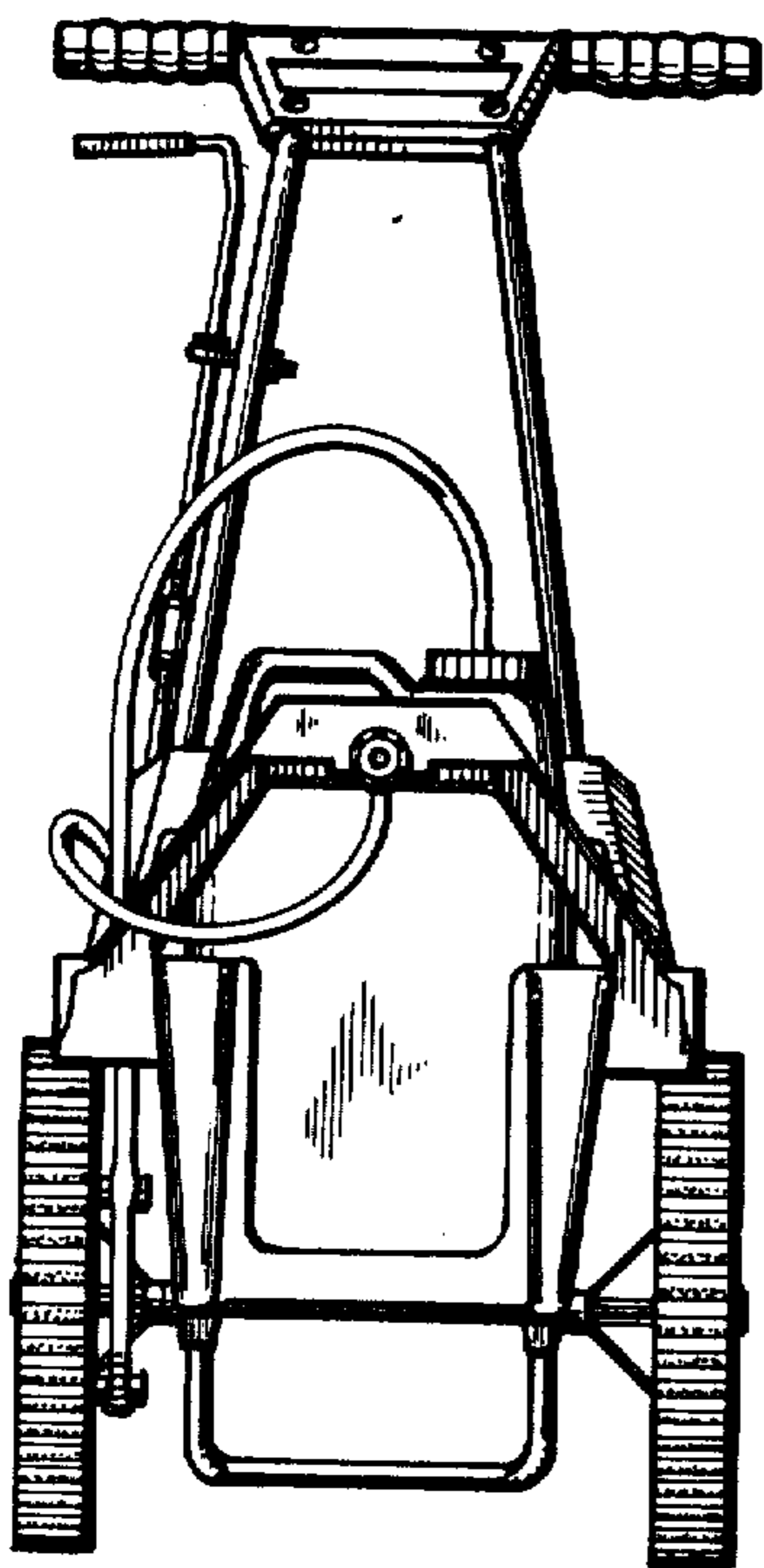


FIG-3

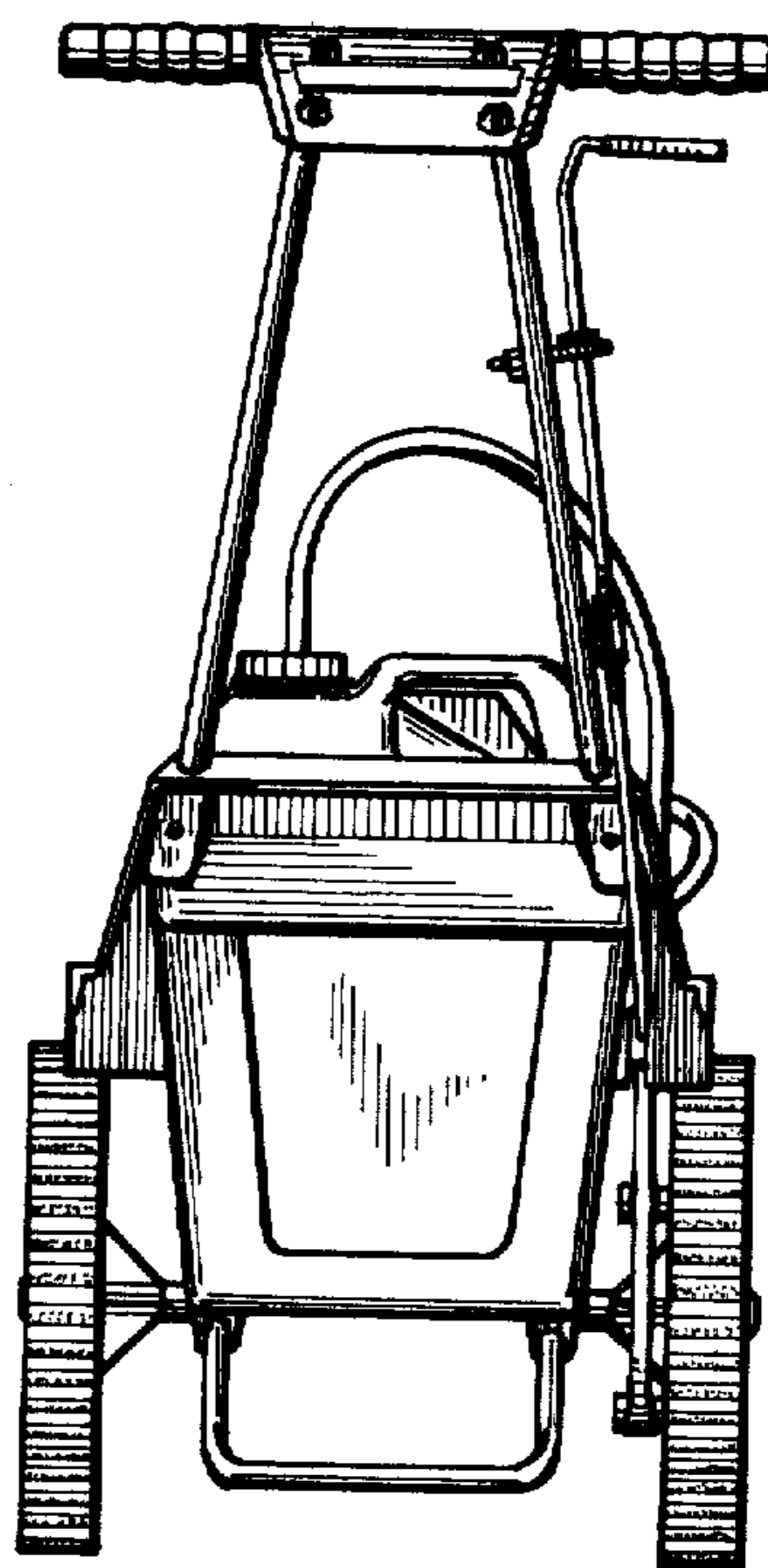


FIG-4

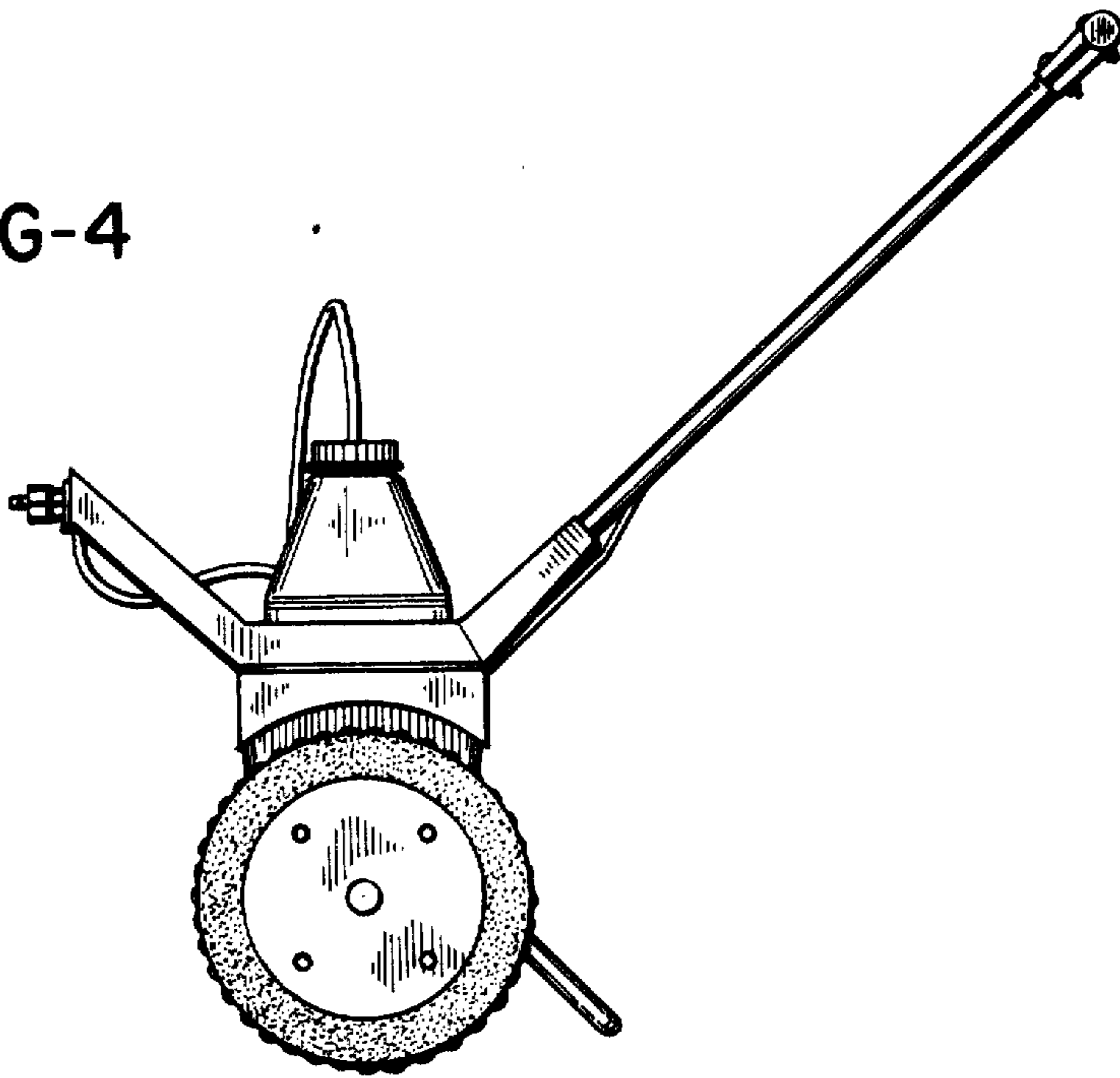


FIG-5

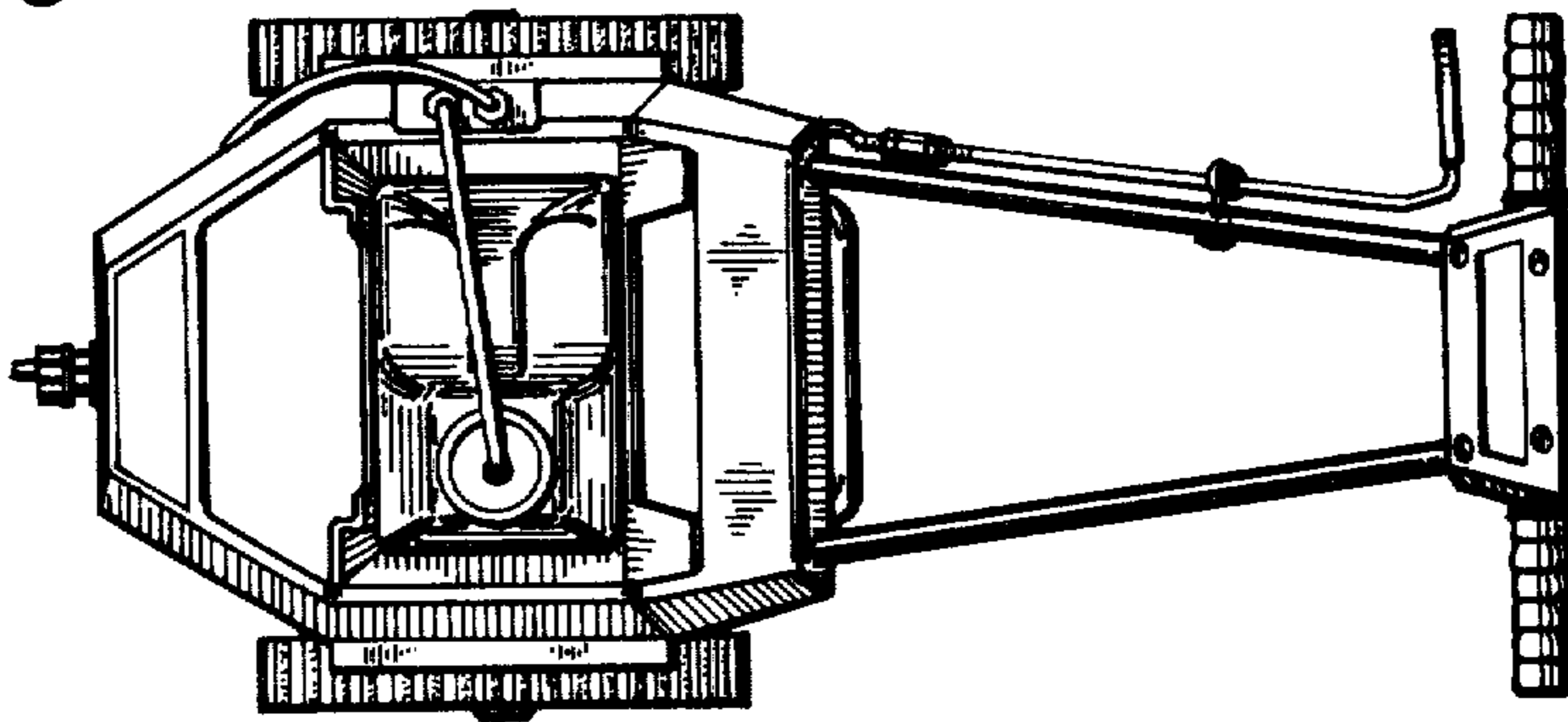


FIG-6

