

[54] HOUSING FOR A FLOOR-MOUNTED MAGNETIC CONTACT SWITCH

[75] Inventors: Thomas J. Holce, Portland; Charles M. Huckins, Tigard, both of Oreg.

[73] Assignee: Sentrol, Inc., Beaverton, Oreg.

[**] Term: 14 Years

[21] Appl. No.: 964,573

[22] Filed: Nov. 29, 1978

[51] Int. Cl. D13-03

[52] U.S. Cl. D13/32; D13/99

[58] Field of Search 335/303, 205, 206, 207; D13/40, 41, 99, 32, 38, 39

[56] References Cited

U.S. PATENT DOCUMENTS

3,418,611	12/1968	Pounds	335/205
3,560,846	2/1971	Bessko	335/205 X
3,808,918	5/1974	Carr	335/303 X

FOREIGN PATENT DOCUMENTS

112866 6/1966 Netherlands 335/303

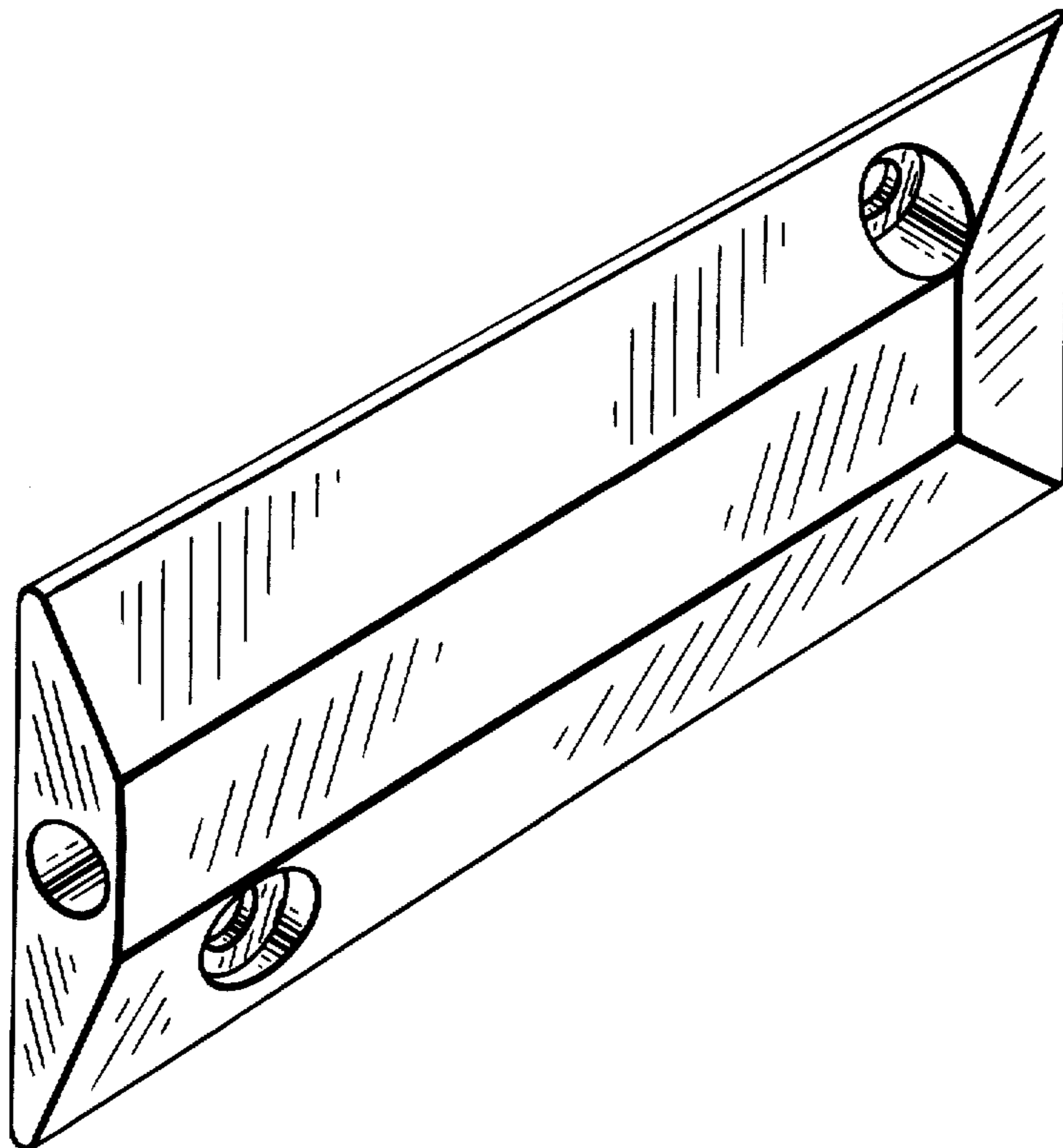
Primary Examiner—Susan J. Lucas
Attorney, Agent, or Firm—Chernoff & Vilhauer

[57] CLAIM

The ornamental design for a housing for a floor-mounted magnetic contact switch, as shown and described.

DESCRIPTION

FIG. 1 is a pictorial view of a housing for a floor-mounted magnetic contact switch embodying our new design as seen from the upper left rear;
FIG. 2 is a top plan view thereof on a reduced scale;
FIG. 3 is a rear elevational view thereof on a reduced scale;
FIG. 4 is a front elevational view thereof on a reduced scale;
FIG. 5 is a left end elevational view thereof on a reduced scale;
FIG. 6 is a right end elevational view thereof on a reduced scale; and
FIG. 7 is a bottom plan view thereof on a reduced scale.



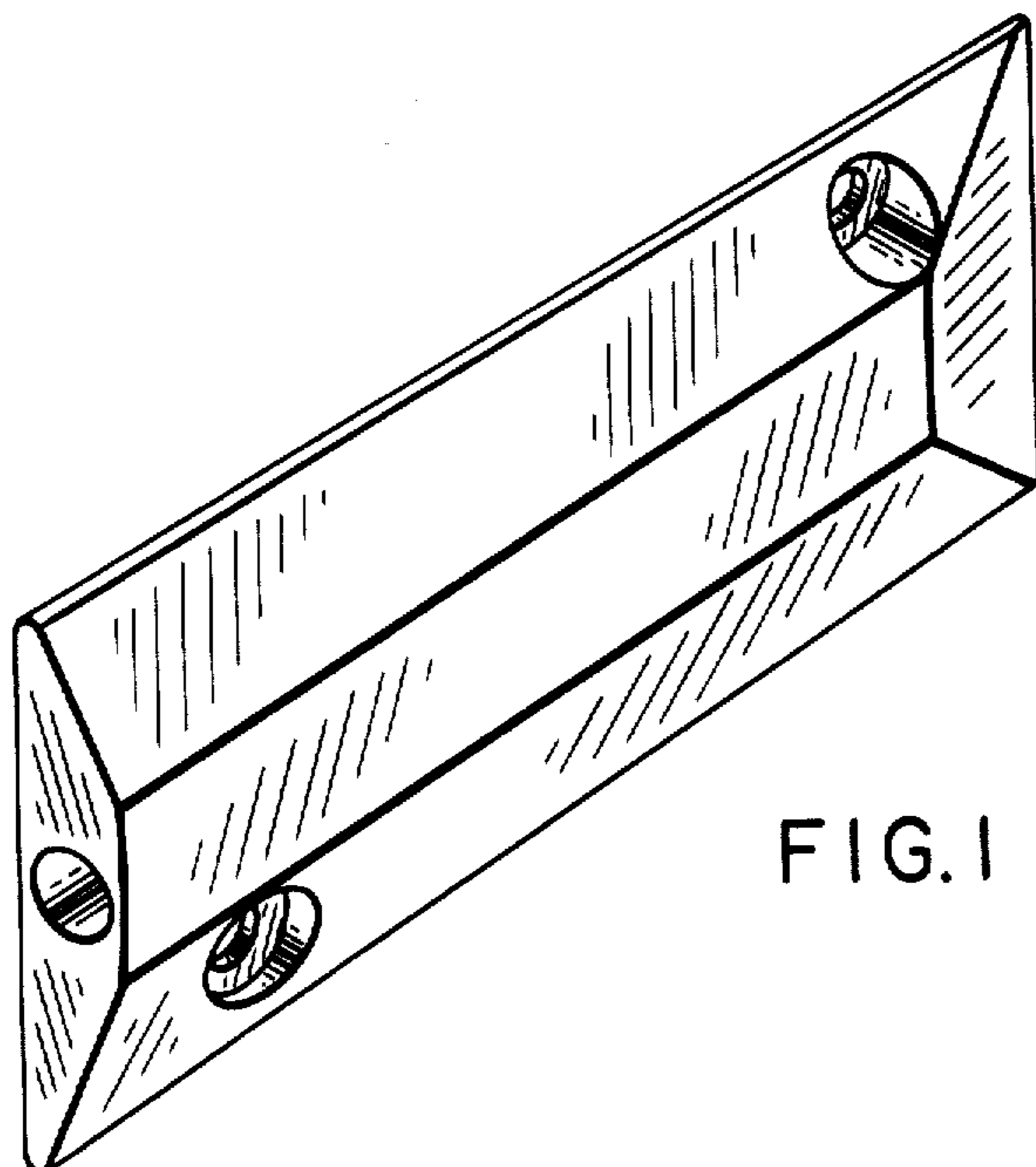


FIG. 1

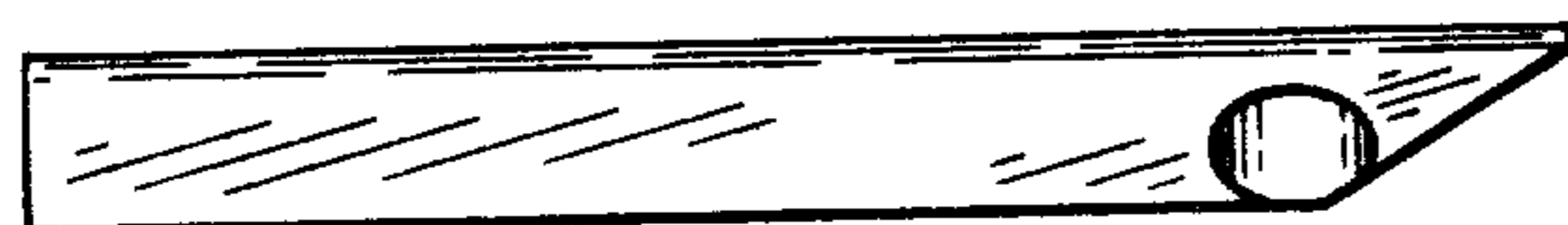


FIG. 3

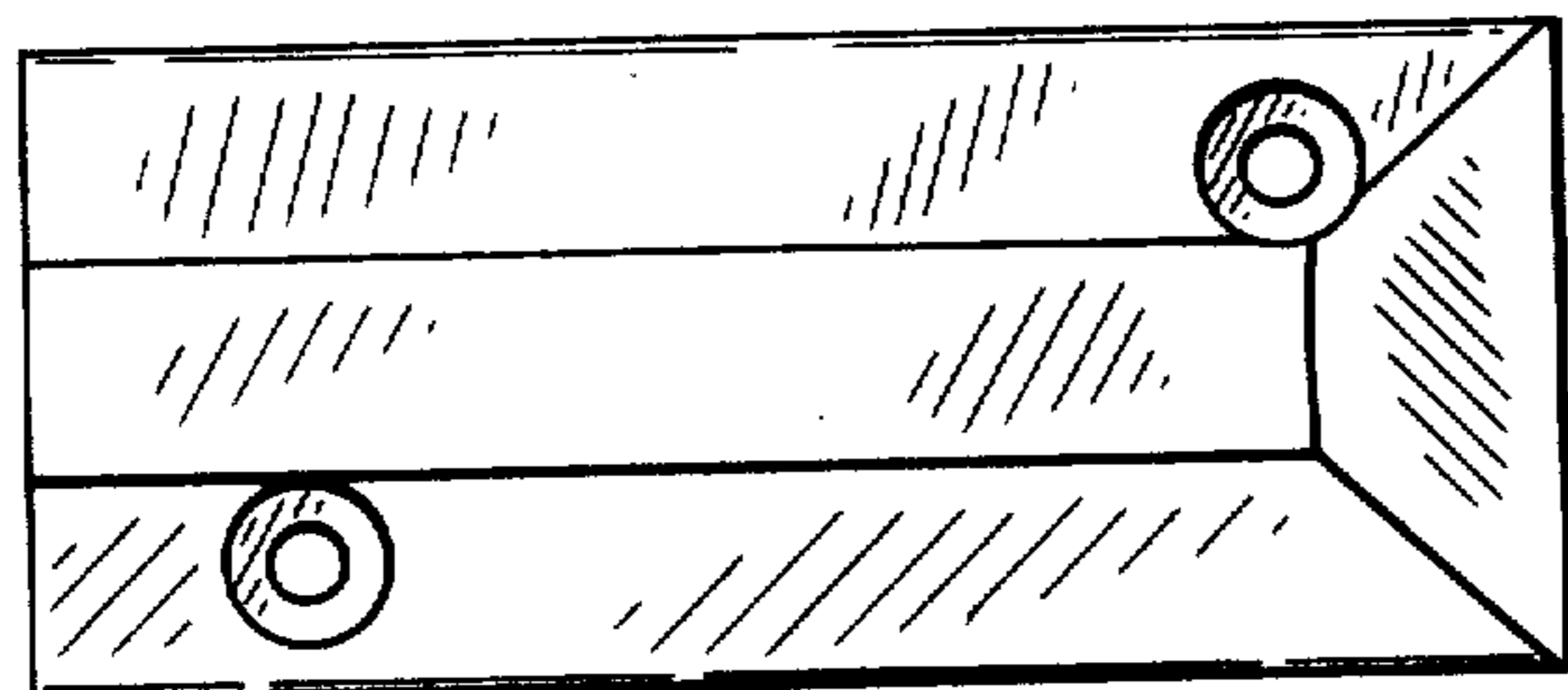


FIG. 2

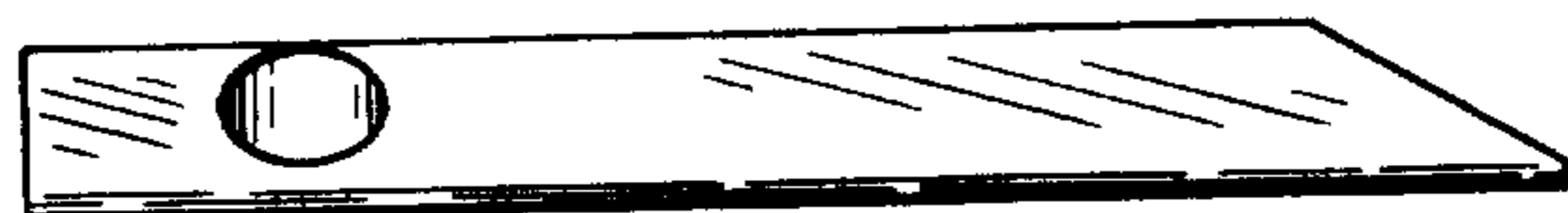


FIG. 4

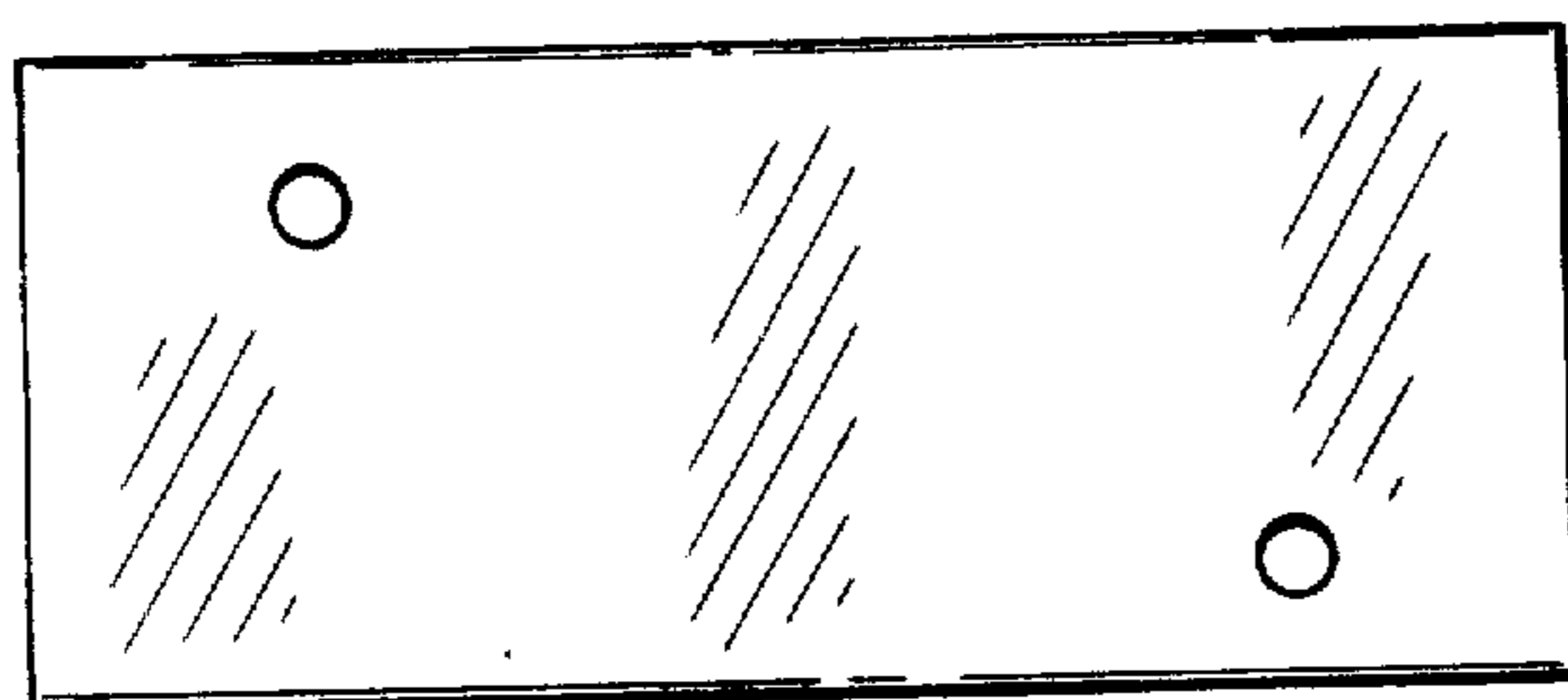


FIG. 7

FIG. 5



FIG. 6

