

[54] **JACKET INSULATION FOR PROTECTING DAMAGED TELEPHONE CONDUCTORS**

[76] Inventor: **Larry C. Shumate**, 13206 Advance, Houston, Tex. 77065

[**] Term: **14 Years**

[21] Appl. No.: **29,279**

[22] Filed: **Apr. 11, 1979**

[51] Int. Cl. **D13-03**

[52] U.S. Cl. **D13/18; D13/13**

[58] Field of Search **D13/13, 24, 18, 17; 174/103 R, 103 C, 107, 113 R, 117 R, 117 F, 137 R, 40 CC, 68 C, 84, 88 R, 94, 97, 73 R, 72 C; 339/60 R, 89 R, 94 R, 103 R, 103 C, 107, 136**

[56] **References Cited**

U.S. PATENT DOCUMENTS

835,406	11/1906	Dawson	174/84 R
2,043,044	6/1936	Knoderer	174/103 X
3,173,987	3/1965	Potruch	174/40 CC X
3,745,230	7/1973	Kelly	174/113 R X
3,899,807	8/1975	Souish et al.	24/255 R

FOREIGN PATENT DOCUMENTS

1409853	7/1965	France	174/97
---------	--------	--------	--------

Primary Examiner—Susan J. Lucas
Attorney, Agent, or Firm—Pravel, Gambrell, Hewitt, Kirk, Kimball & Dodge

[57] **CLAIM**

The ornamental design for a jacket insulation for protecting damaged telephone conductors, substantially as shown and described.

DESCRIPTION

FIG. 1 is a plan view of the design of the jacket insulation for protecting damaged telephone conductors of the present invention;

FIG. 2 is a bottom view of the design of the jacket insulation for protecting damaged telephone conductors of the present invention;

FIG. 3 is a side view of the design of the jacket insulation for protecting damaged telephone conductors of the present invention;

FIG. 4 is a front, elevational view of the design of the jacket insulation for protecting damaged telephone conductors of the present invention; and

FIG. 5 is an isometric view of the design of the jacket insulation for protecting damaged telephone conductors of the present invention, one edge of the flexible jacket being shown in a deformed condition, said deformation permitting insertion of the conductors. The conductors per se are shown in broken lines for illustrative purposes only.

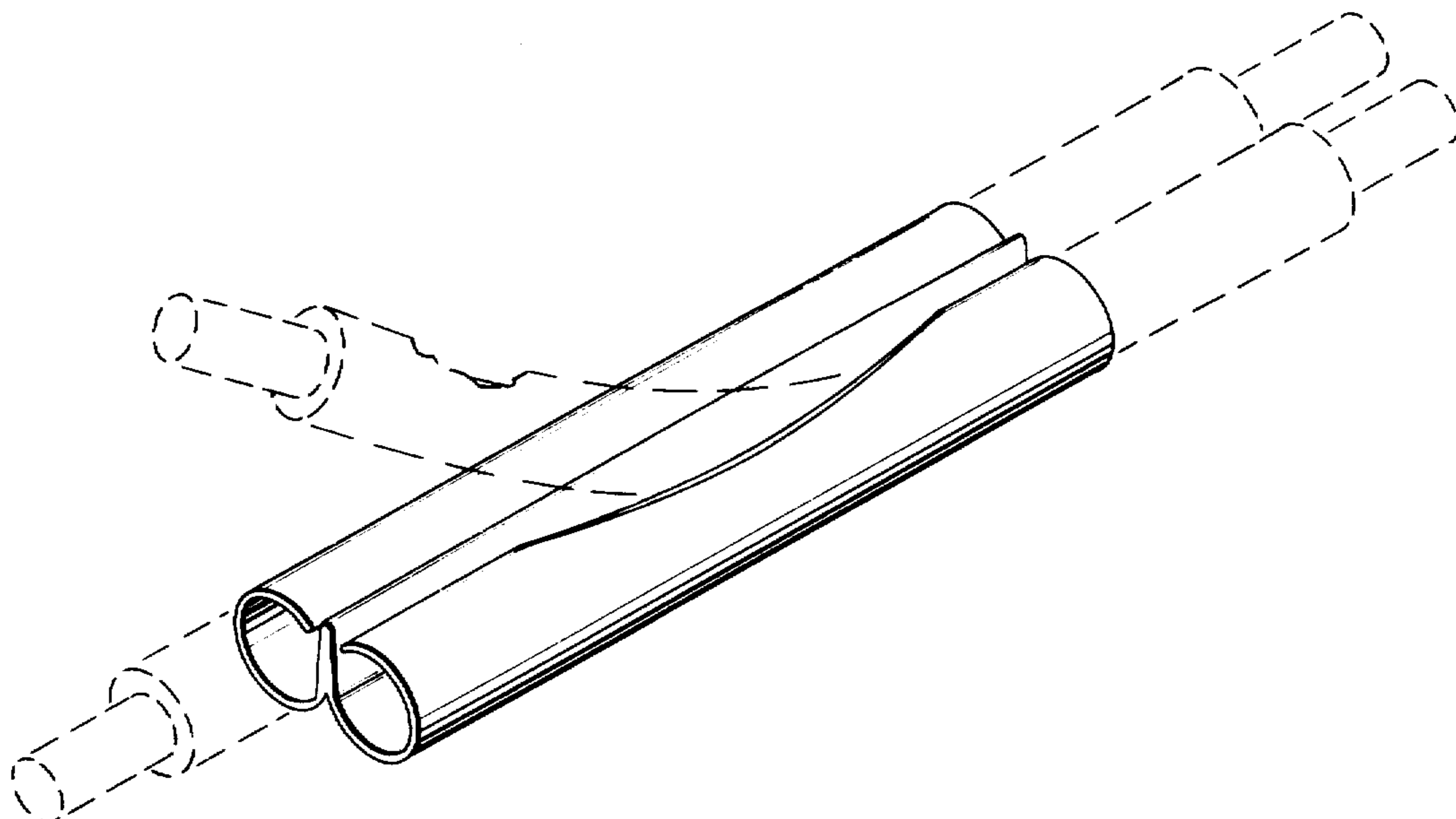


Fig. 1



Fig. 2

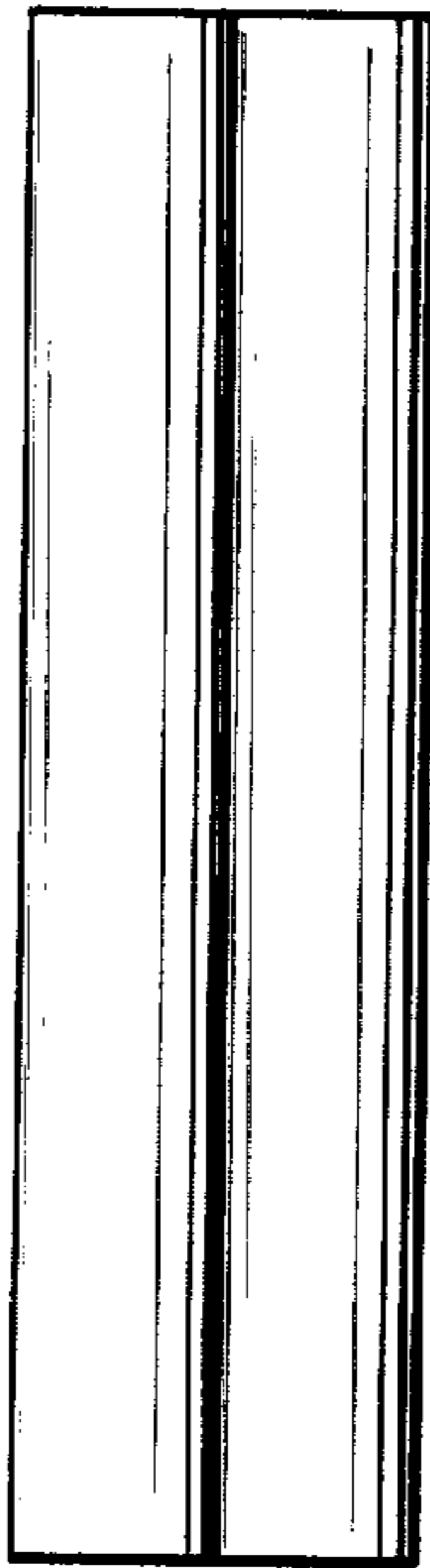


Fig. 3

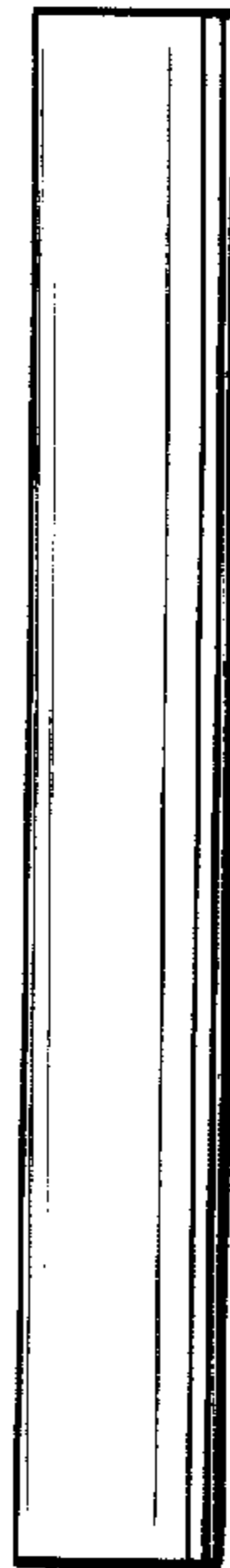


Fig. 4

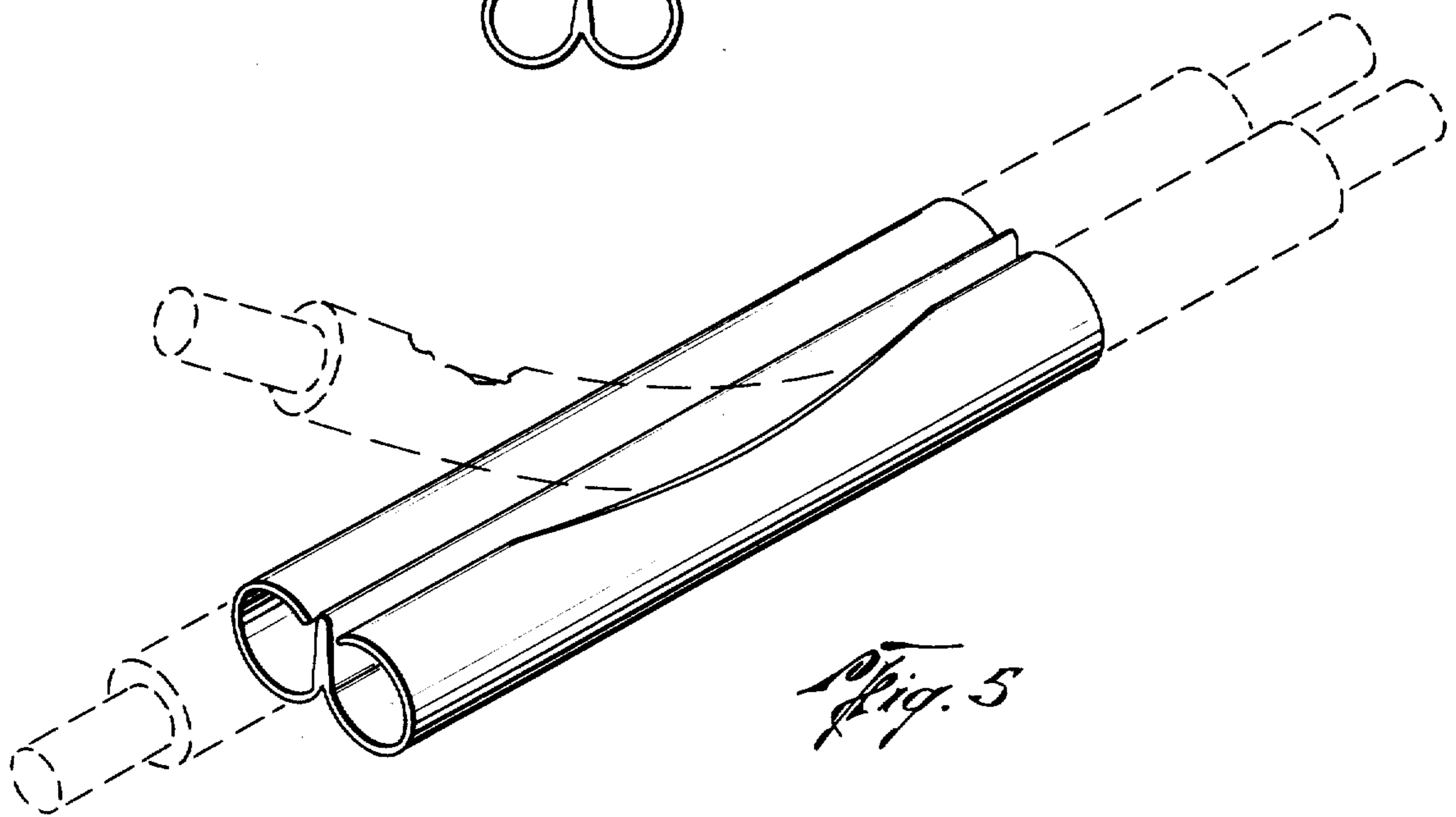


Fig. 5