

[54] **INVERTED FORK WITH DETACHABLE SUSPENSION ATTACHMENTS FOR A FORK TRUCK**

[75] Inventor: **Kenneth Helgesson, Lidhult, Sweden**

[73] Assignee: **Kalmar Last Maskin Verkstad AB, Sweden**

[**] Term: **14 Years**

[21] Appl. No.: **18,580**

[22] Filed: **Mar. 8, 1979**

[30] **Foreign Application Priority Data**

Oct. 19, 1978 [SE] Sweden 782434

[51] Int. Cl. **D12-16**

[52] U.S. Cl. **D34/35**

[58] Field of Search **D12/60; 414/785, 607**

[56] **References Cited**

U.S. PATENT DOCUMENTS

D. 184,670	3/1959	Ehmann	D12/60
2,456,320	12/1948	Repke	414/785
2,659,506	11/1953	Watkins	414/785
2,699,269	1/1955	Ulinski	414/607
2,905,349	9/1959	Repke	414/785
3,591,028	7/1971	McClung	414/607
3,921,837	11/1975	Vandewater	414/785

FOREIGN PATENT DOCUMENTS

994974	11/1951	France	414/607
956437	4/1964	United Kingdom	414/607

Primary Examiner—T. Tung
Attorney, Agent, or Firm—Lerner, David, Littenberg & Samuel

[57] **CLAIM**

The ornamental design for an inverted fork with detachable suspension attachments for a fork truck, substantially as shown.

DESCRIPTION

FIG. 1 is a perspective view of the inverted fork with detachable suspension attachments for a fork truck according to the present invention seen from one side in its operating position.

FIG. 2 is a perspective view according to FIG. 1 seen from the opposite direction.

FIG. 3 is a perspective view similar to FIG. 1 but showing the inverted fork with the detachable suspension attachments removed.

FIG. 4 is a perspective view similar to FIG. 2 but showing the inverted fork with the detachable suspension attachments removed.

FIG. 5 is a perspective view of one of the upper suspension attachments of the inverted fork according to FIG. 1 seen from one side. The inverted fork is not shown in this Figure (nor in FIGS. 6-8) merely for purposes of clarity.

FIG. 6 is a perspective view of the suspension attachment according to FIG. 5 seen from the other side.

FIG. 7 is a perspective view of one of the lower suspension attachments of the inverted fork according to FIG. 1 seen from one side, and

FIG. 8 is a perspective view of the suspension attachment according to FIG. 7 seen from the other side.

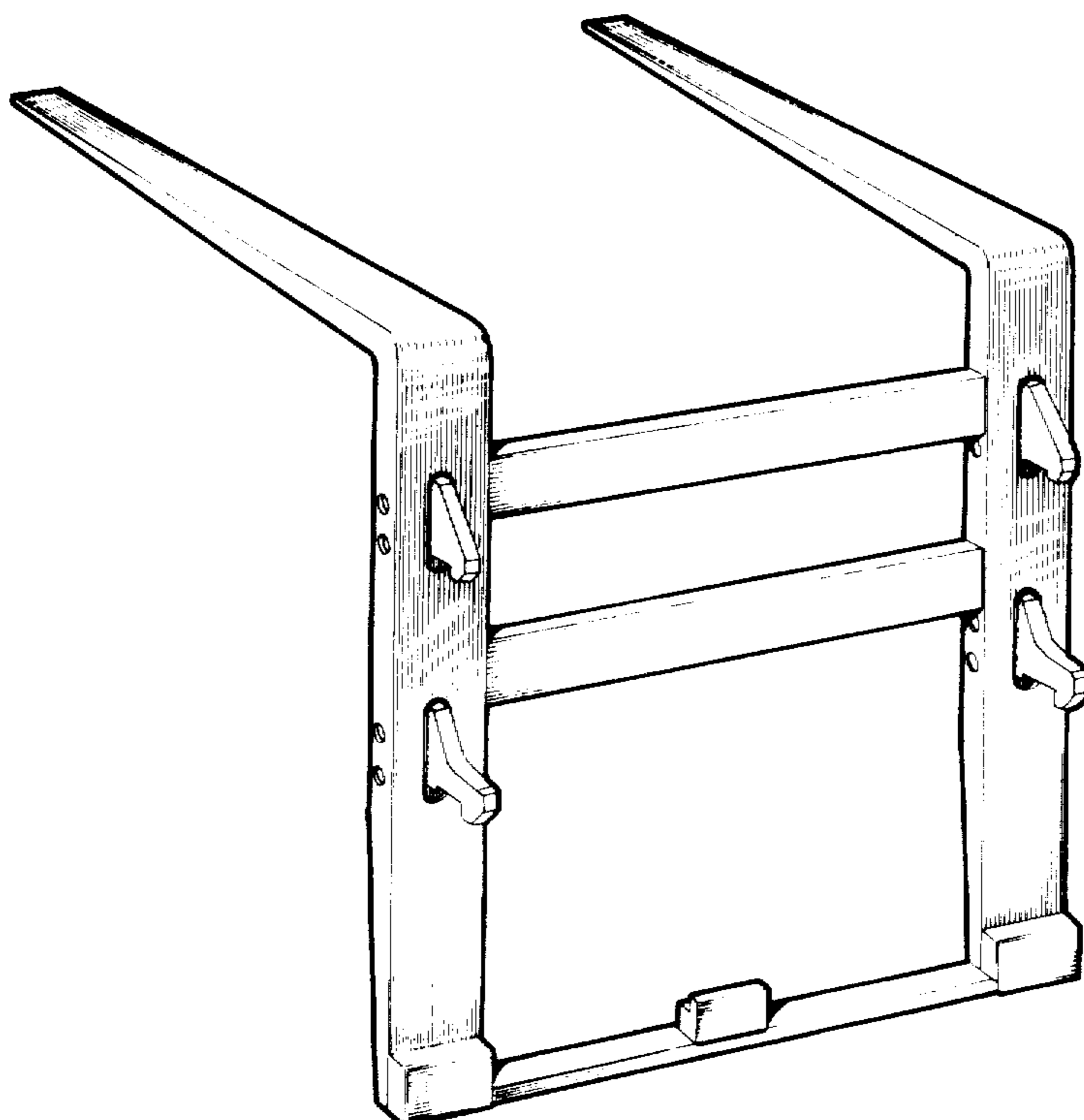


Fig.1

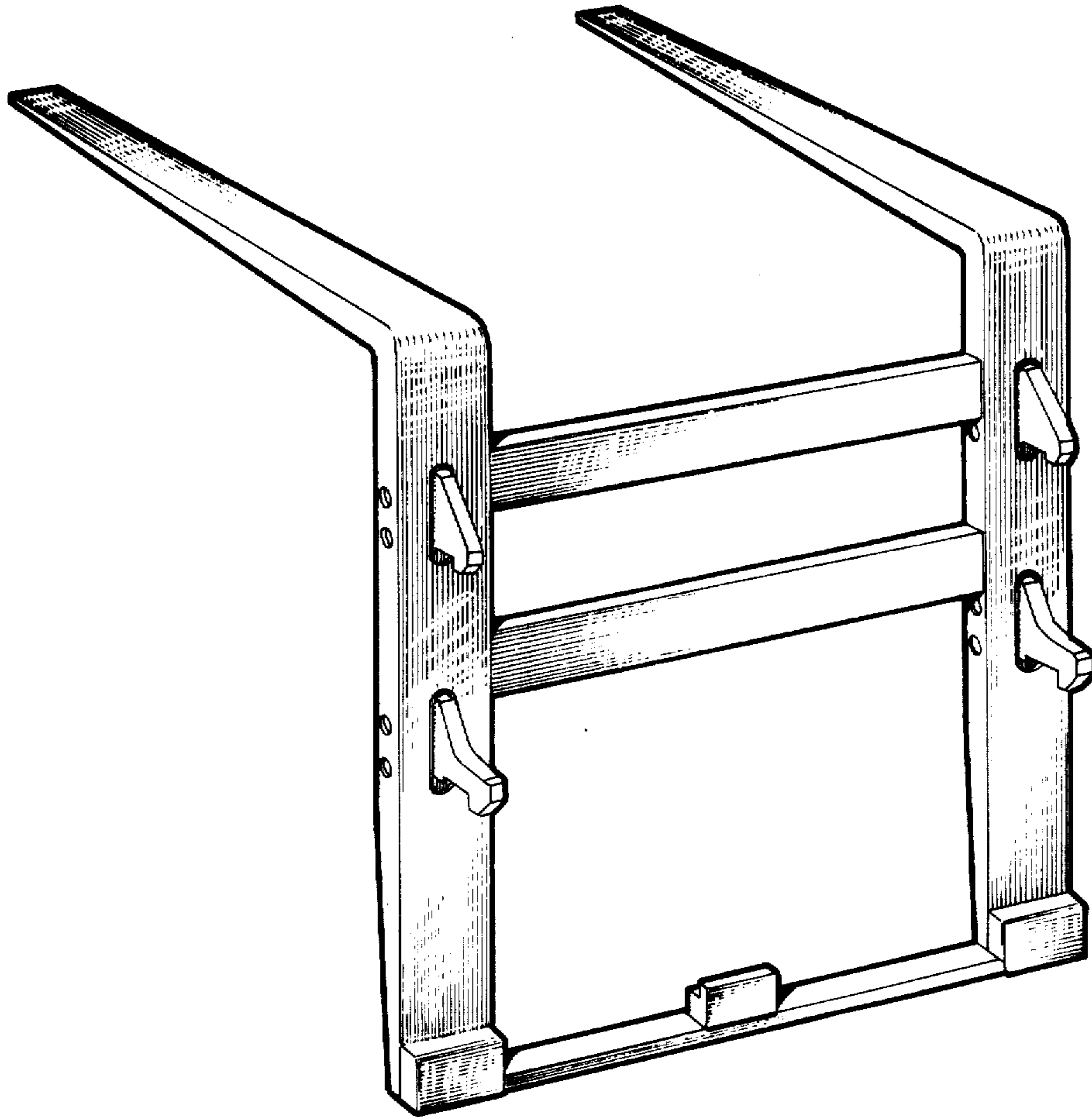


Fig. 2

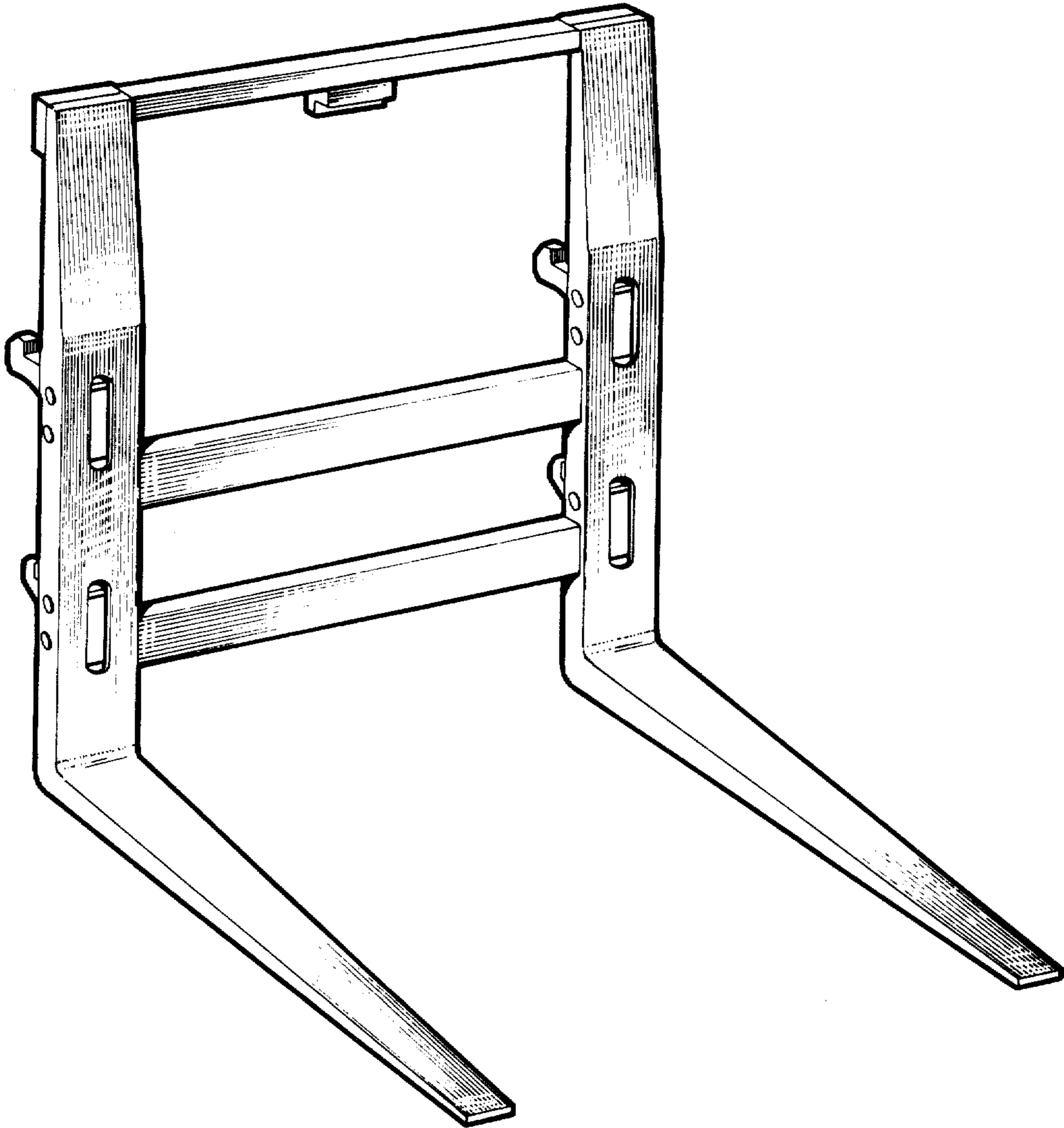


Fig.3

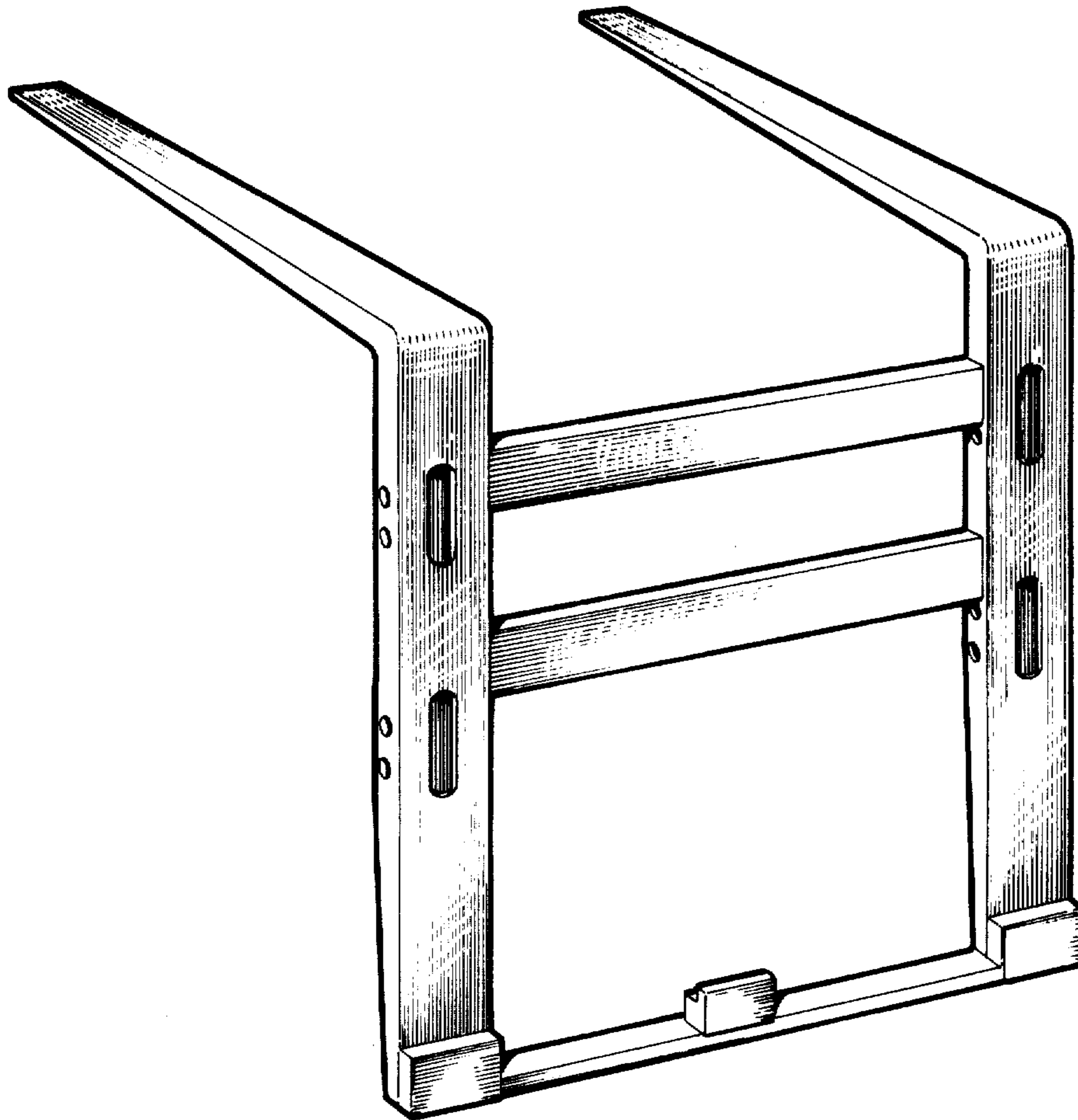


Fig. 4

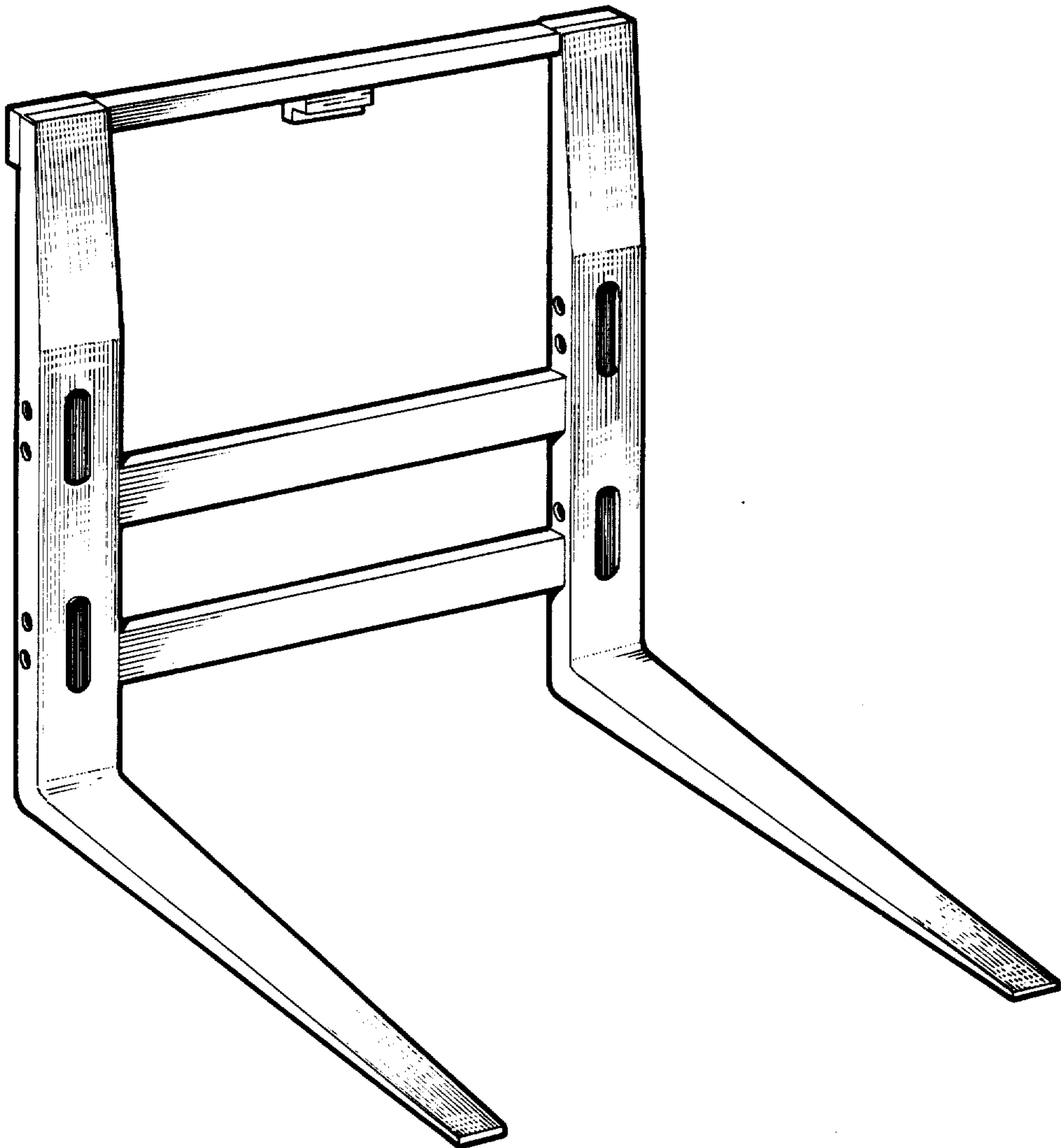


Fig.5

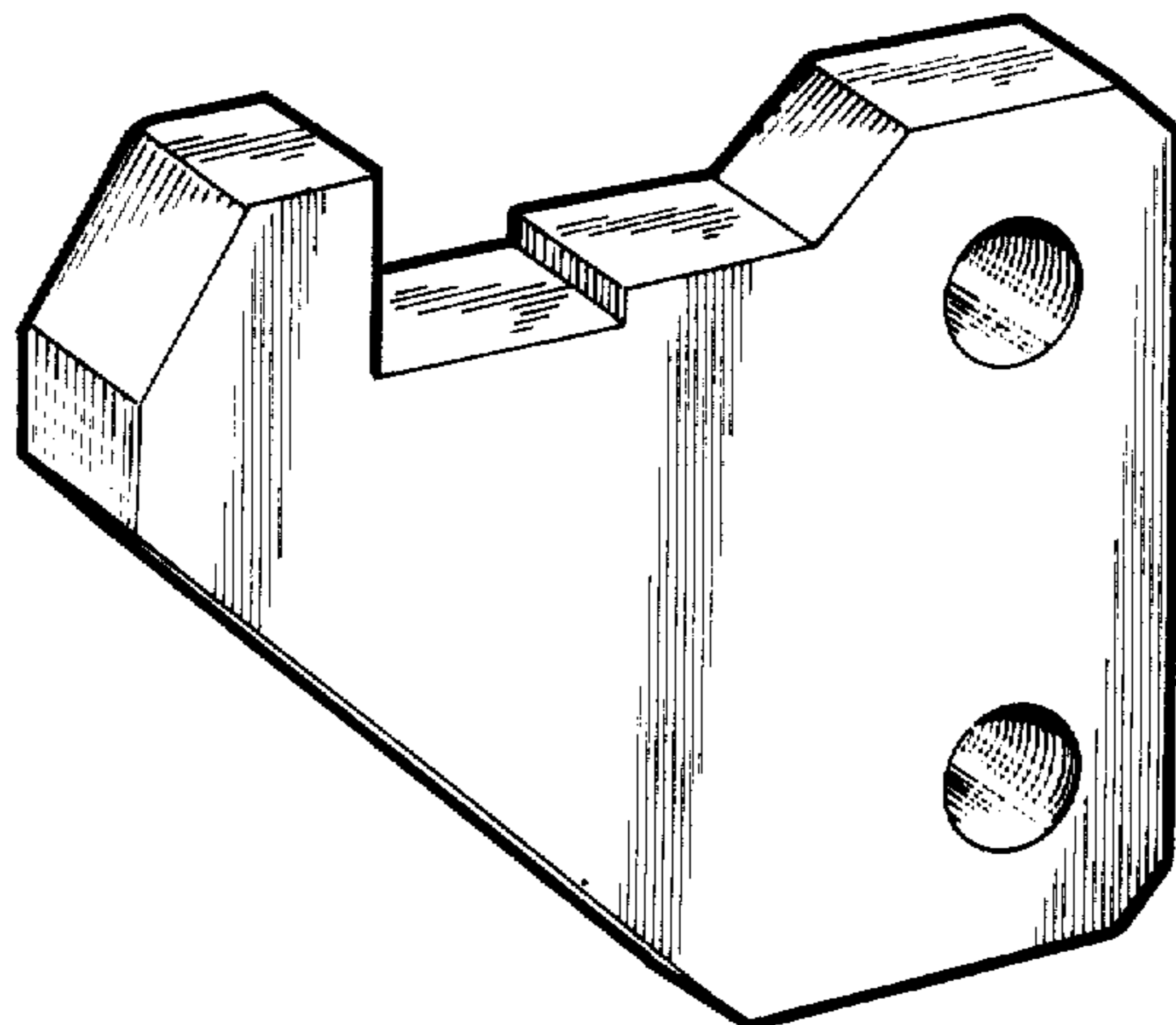


Fig.6

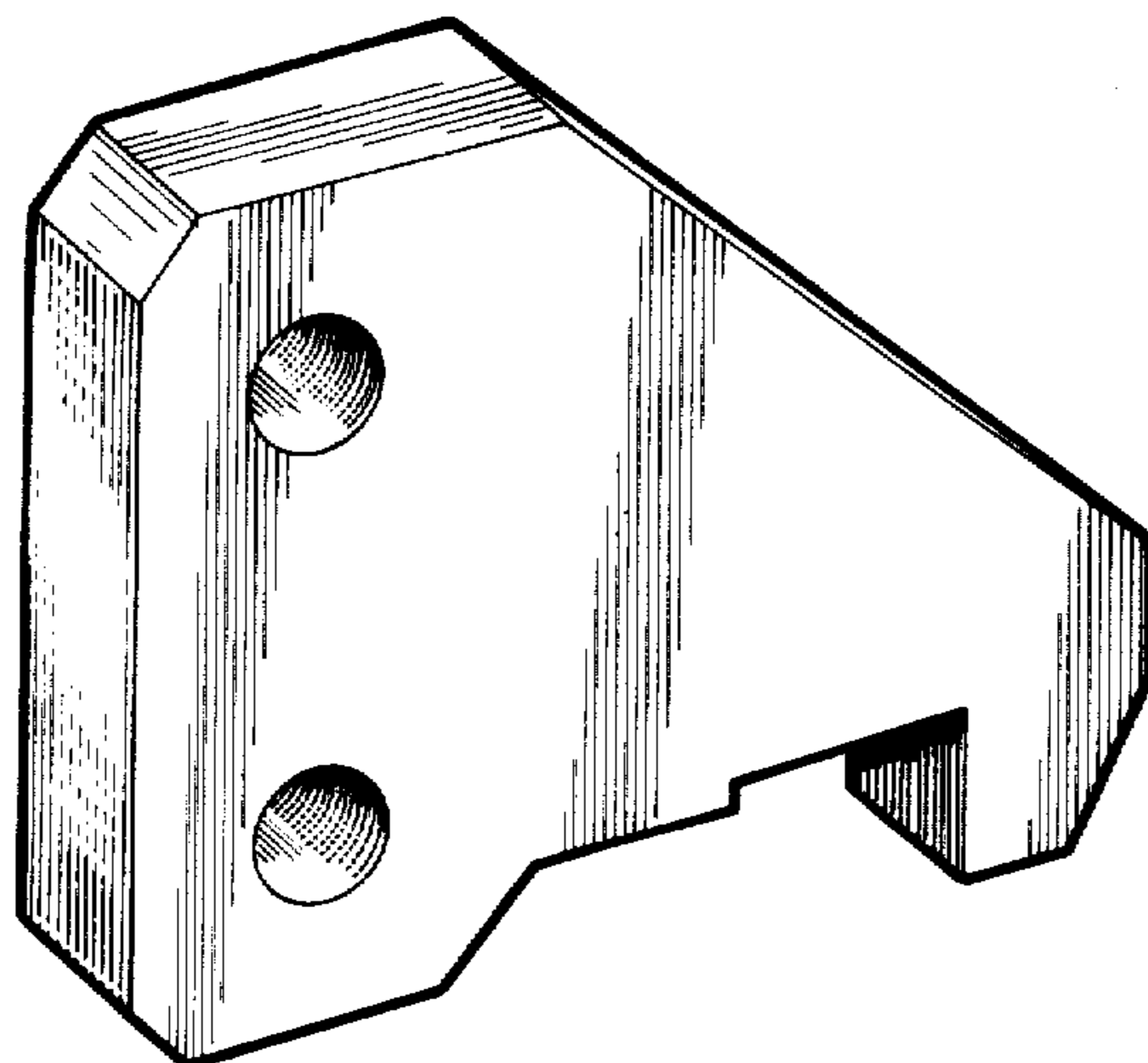


Fig.7

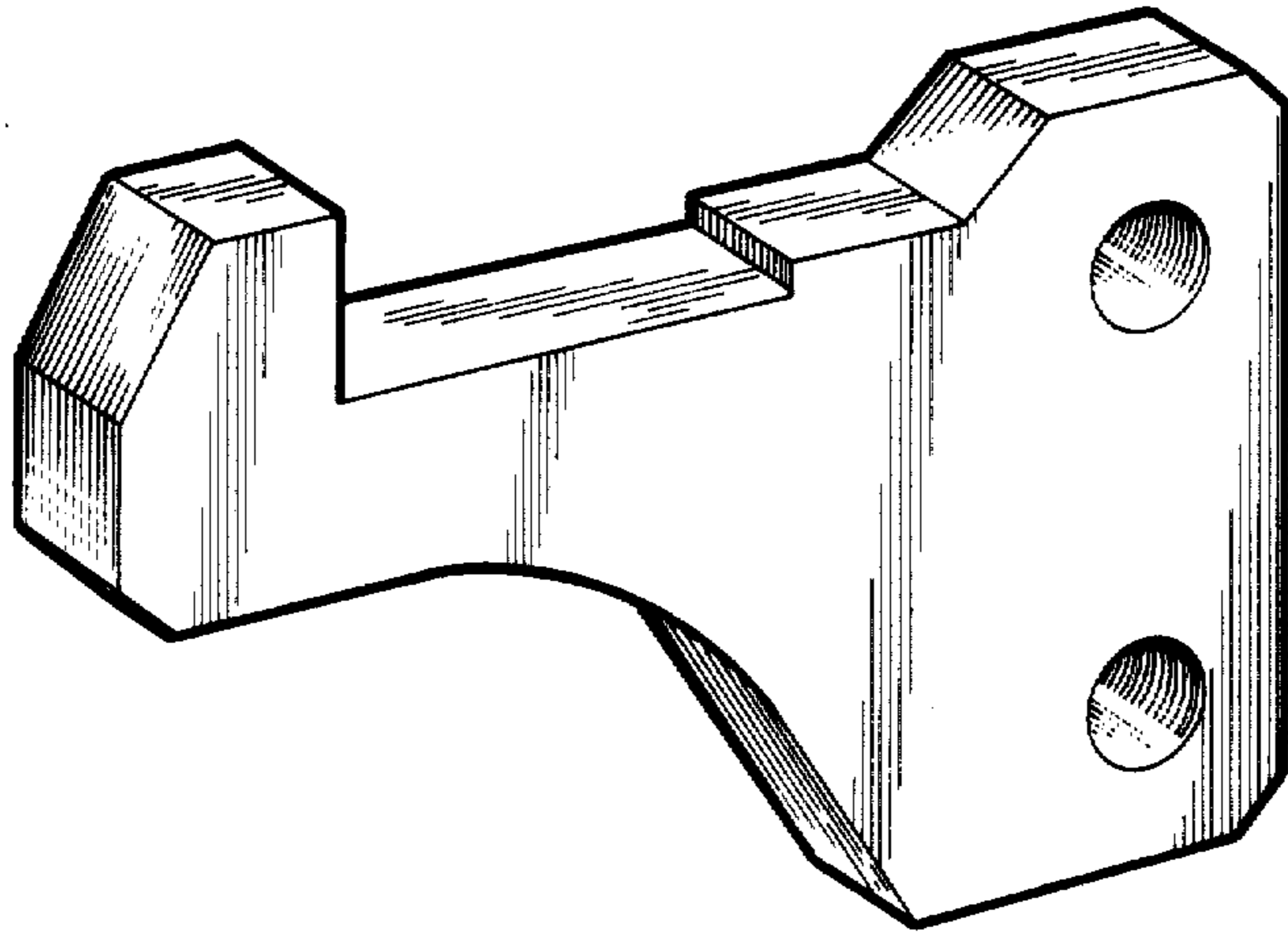


Fig.8

