

[54] MOBILE REFUSE RECEPTACLE

[76] Inventor: Harold D. Rockman, 107 Second St., Fenton, Mich. 48420

[\*\*] Term: 14 Years

[21] Appl. No.: 9,129

[22] Filed: Feb. 5, 1979

[51] Int. Cl. .... D12-02

[52] U.S. Cl. .... D34/5; D34/25

[58] Field of Search ..... D12/33, 27, 102; 280/47.19, 47.26, 47.34, 47.35; 296/22; D7/189

[56] References Cited

U.S. PATENT DOCUMENTS

- D. 214,314 6/1969 Hill ..... D12/102
- D. 240,614 7/1976 Paterno ..... D12/33

OTHER PUBLICATIONS

Popular Science, 9/76, p. 86, Cycle Trailer, center left side of page.

Primary Examiner—James M. Gandy  
Attorney, Agent, or Firm—Gifford, VanOphem, Sheridan & Sprinkle

[57] CLAIM

The ornamental design for a mobile refuse receptacle, as shown and described.

DESCRIPTION

FIG. 1 is a side elevational view of a mobile refuse receptacle showing my new design; FIG. 2 is an end elevational view thereof; FIG. 3 is a bottom plan view thereof; and FIG. 4 is a perspective view thereof. The undisclosed end of the receptacle is substantially plain and unornamented.

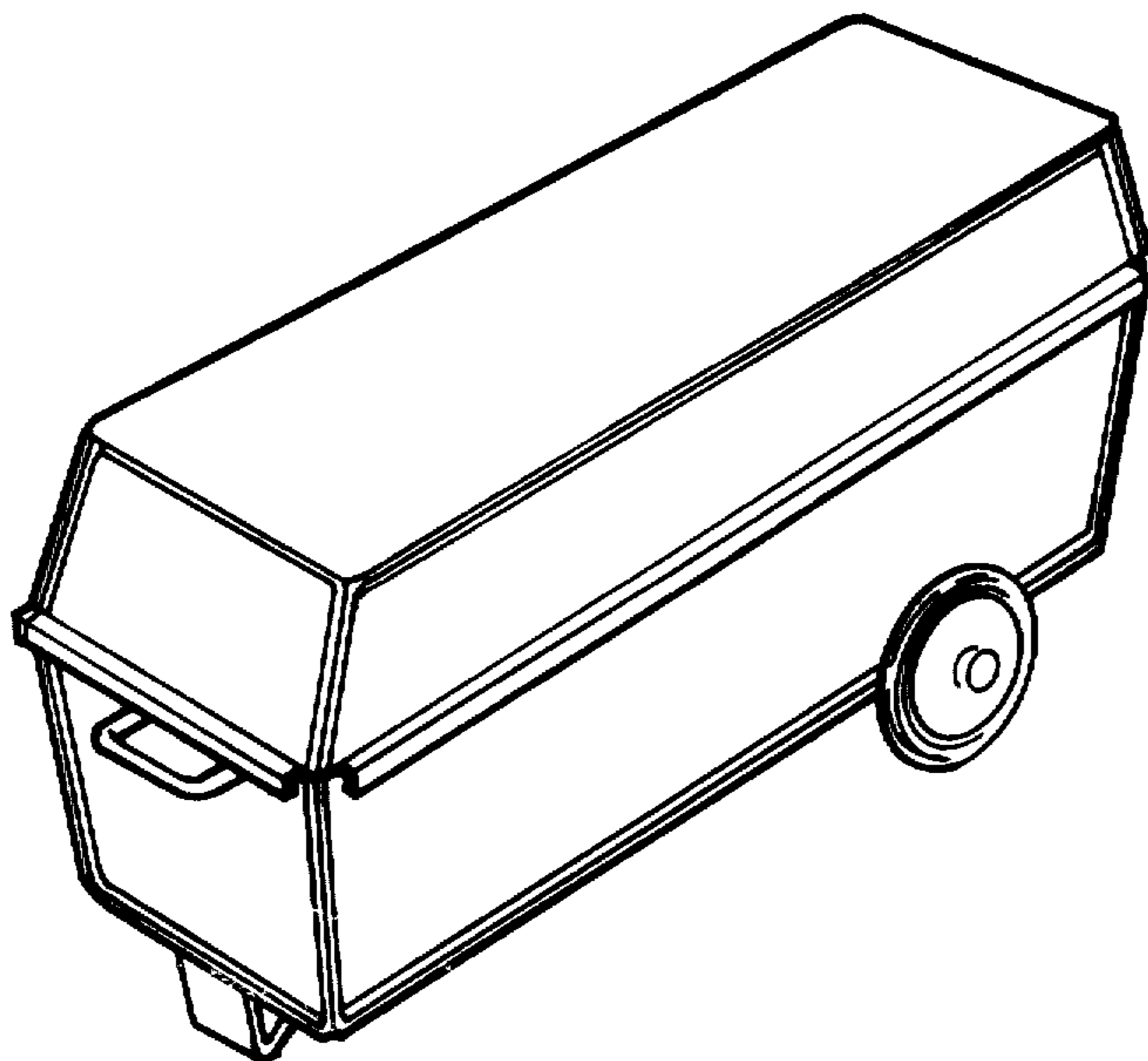


Fig-1

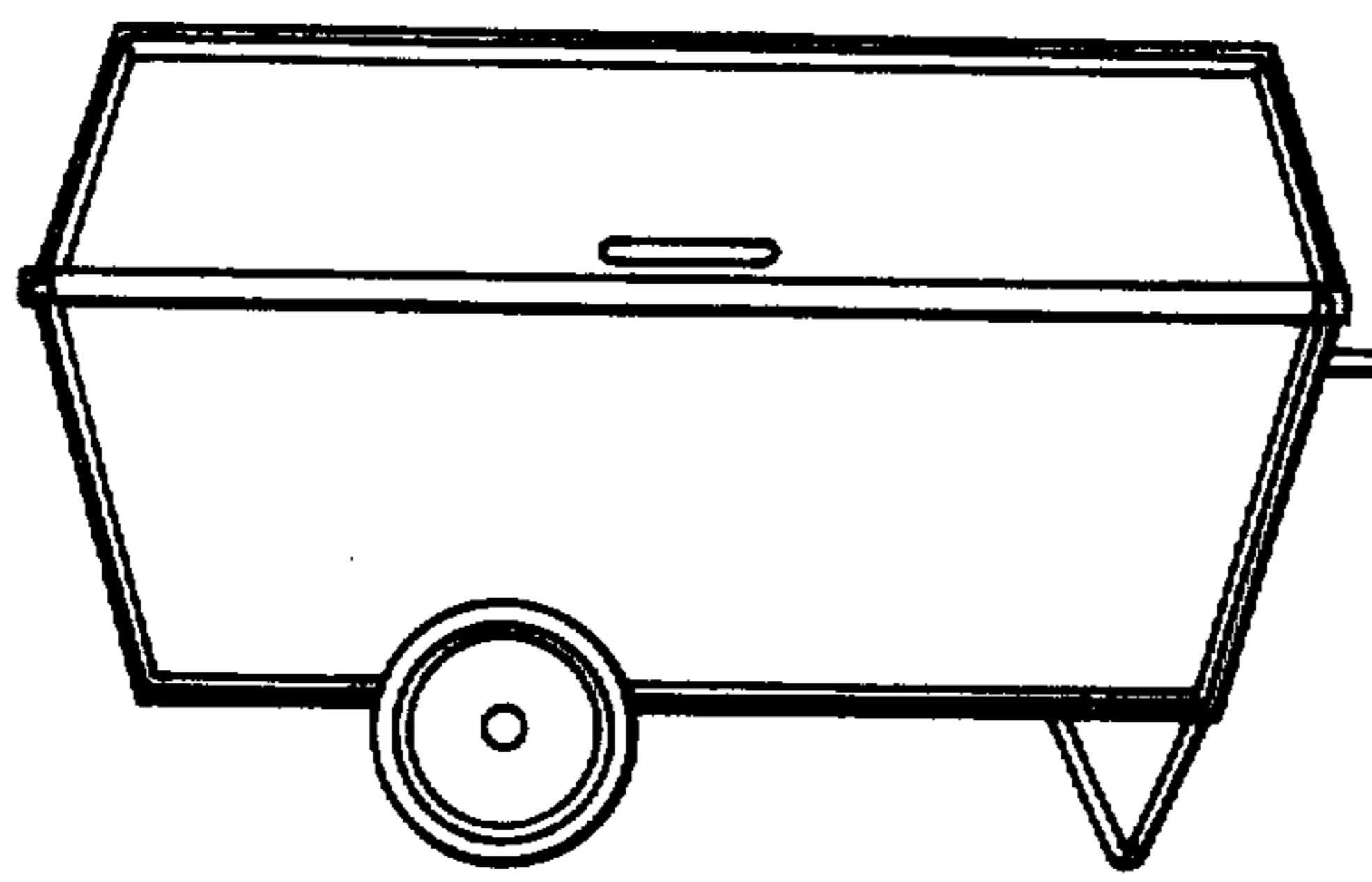


Fig-2

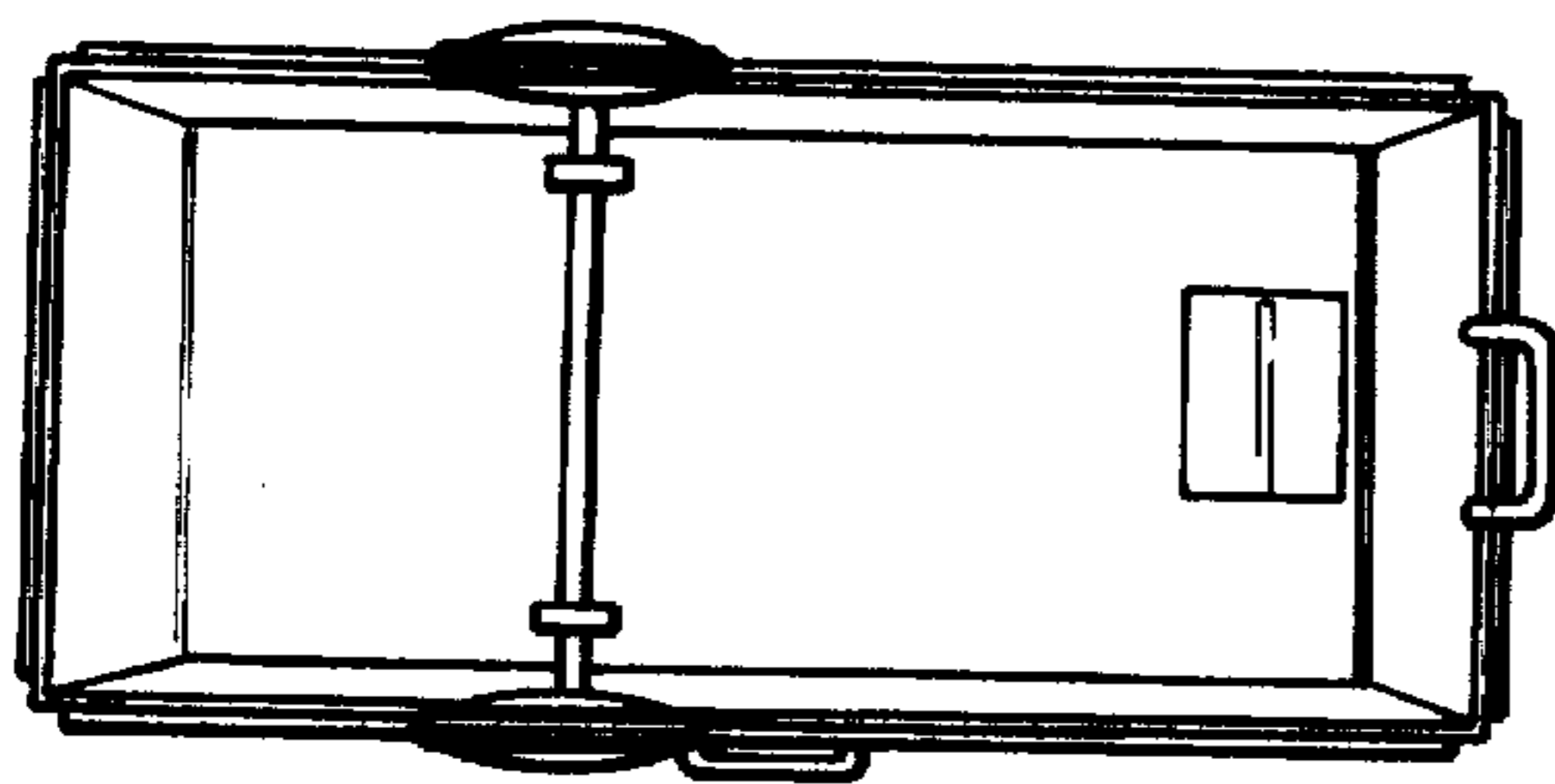
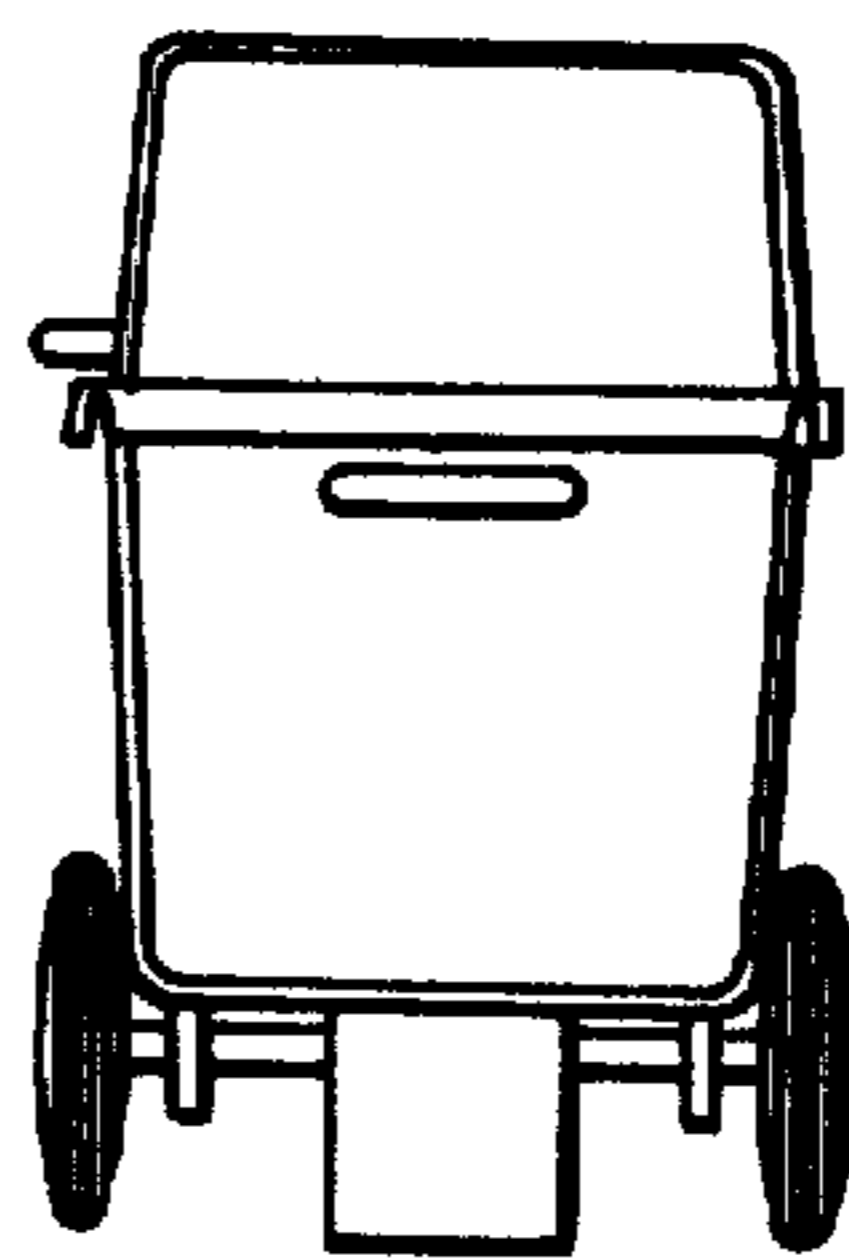


Fig-3

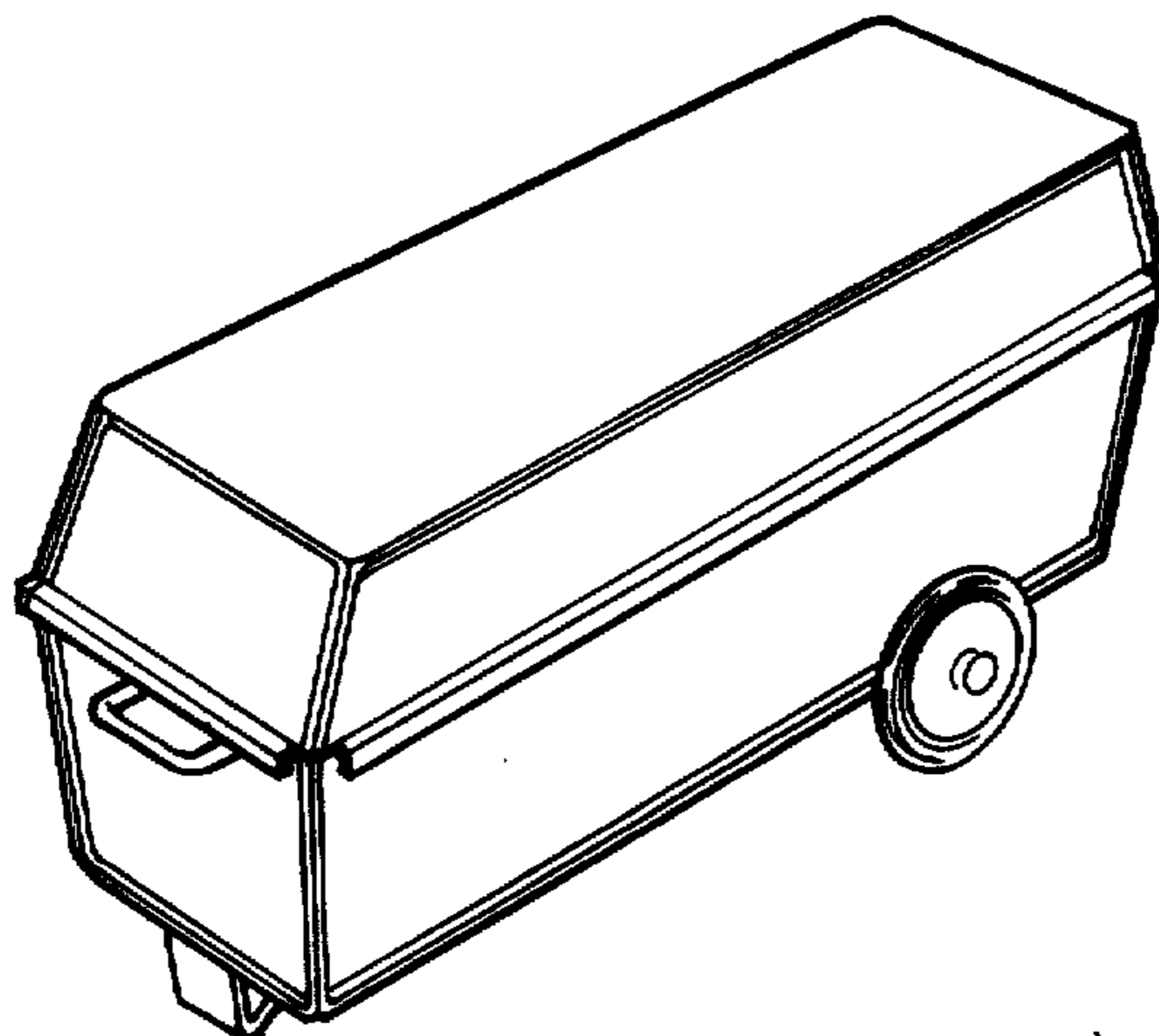


Fig-4