

[54] PLANTER UNIT

[76] Inventors: Ben A. Gonzales, 1164 Elmsford Dr., Cupertino, Calif. 95014; Robert W. Shay, 14828 Nelson Way, San Jose, Calif. 95124; Tom R. Romero, Jr., 1019 Wunderlich Dr., San Jose, Calif. 95129

[\*\*] Term: 14 Years

[21] Appl. No.: 112,357

[22] Filed: Jan. 15, 1980

[51] Int. Cl. .... D11-02

[52] U.S. Cl. .... D11/143

[58] Field of Search ..... D11/143-145, D11/149, 151-156, 164; 47/1.3, 17, 26, 28, 29-32, 41, 41.12, 41.13, 59-69, 71, 72, 79-87

[56] References Cited

U.S. PATENT DOCUMENTS

- D. 239,129 3/1976 Rosenberger ..... D11/143
- 986,395 3/1911 King ..... D11/155
- 3,906,665 9/1975 Medlin ..... 47/66

FOREIGN PATENT DOCUMENTS

- 957455 5/1964 United Kingdom ..... 47/83

OTHER PUBLICATIONS

International Terra Cotta, Inc., p. 10, Hexagonal Planter 605.

House & Garden, 4/1974, p. 173, Lucite Planter, (left of center).

Primary Examiner—B. J. Bullock

Attorney, Agent, or Firm—Claude A. S. Hamrick

[57] CLAIM

The ornamental design for a planter unit, substantially as shown and described.

DESCRIPTION

FIG. 1 is a perspective view illustrating a hexagonal planter unit in accordance with my new design;

FIG. 2 is a front elevational view thereof;

FIG. 3 is a left side elevational view thereof, the right side being a mirror image thereof;

FIG. 4 is a rear elevational view thereof; and

FIG. 5 is a reduced front elevational view of a second embodiment of the design of FIG. 1;

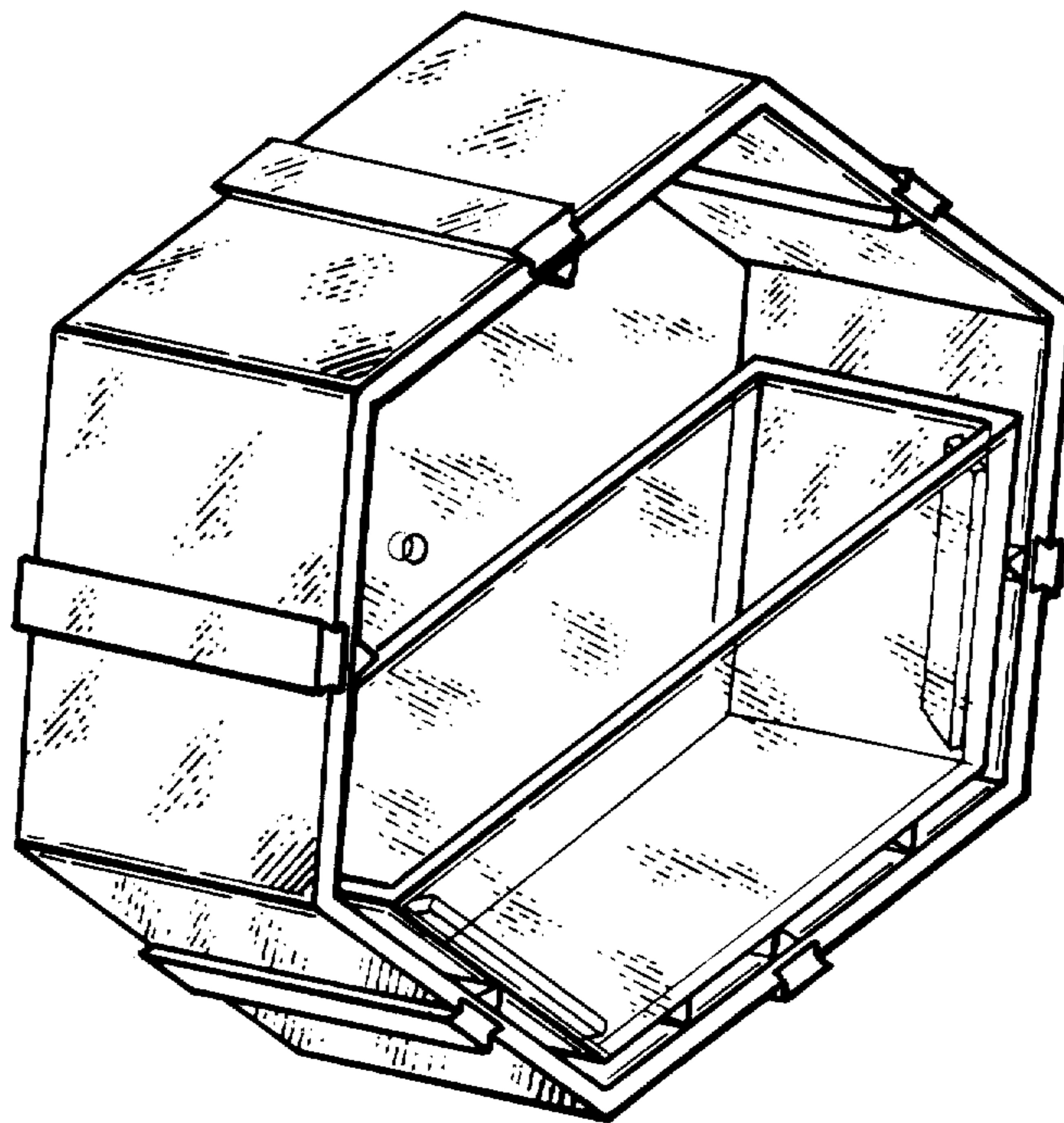
FIG. 6 is a reduced front elevational view of a third embodiment of the design of FIG. 1;

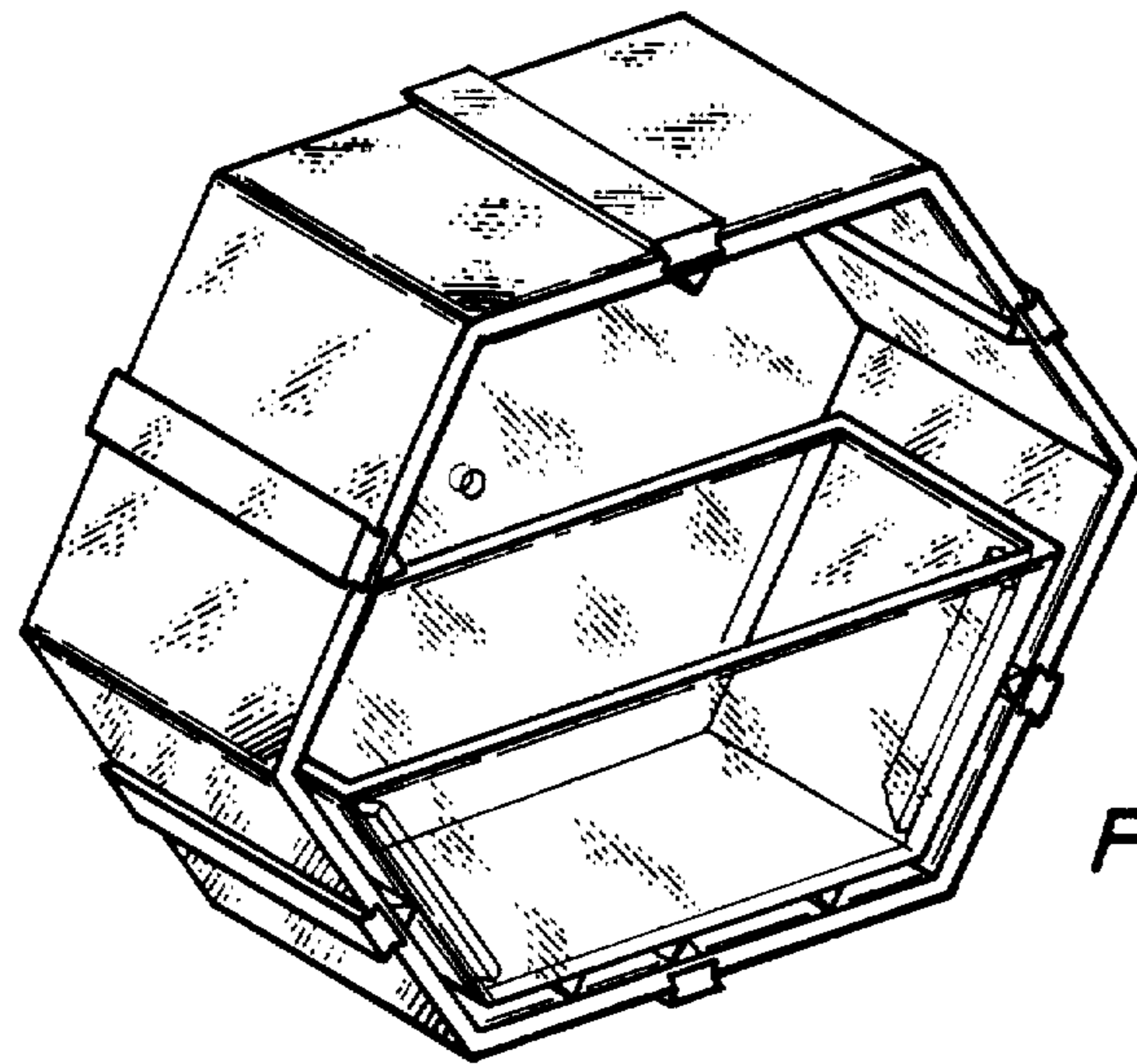
FIG. 7 is a reduced front elevational view of a fourth embodiment of the design of FIG. 1;

FIG. 8 is a reduced front elevational view of a fifth embodiment of the design of FIG. 1;

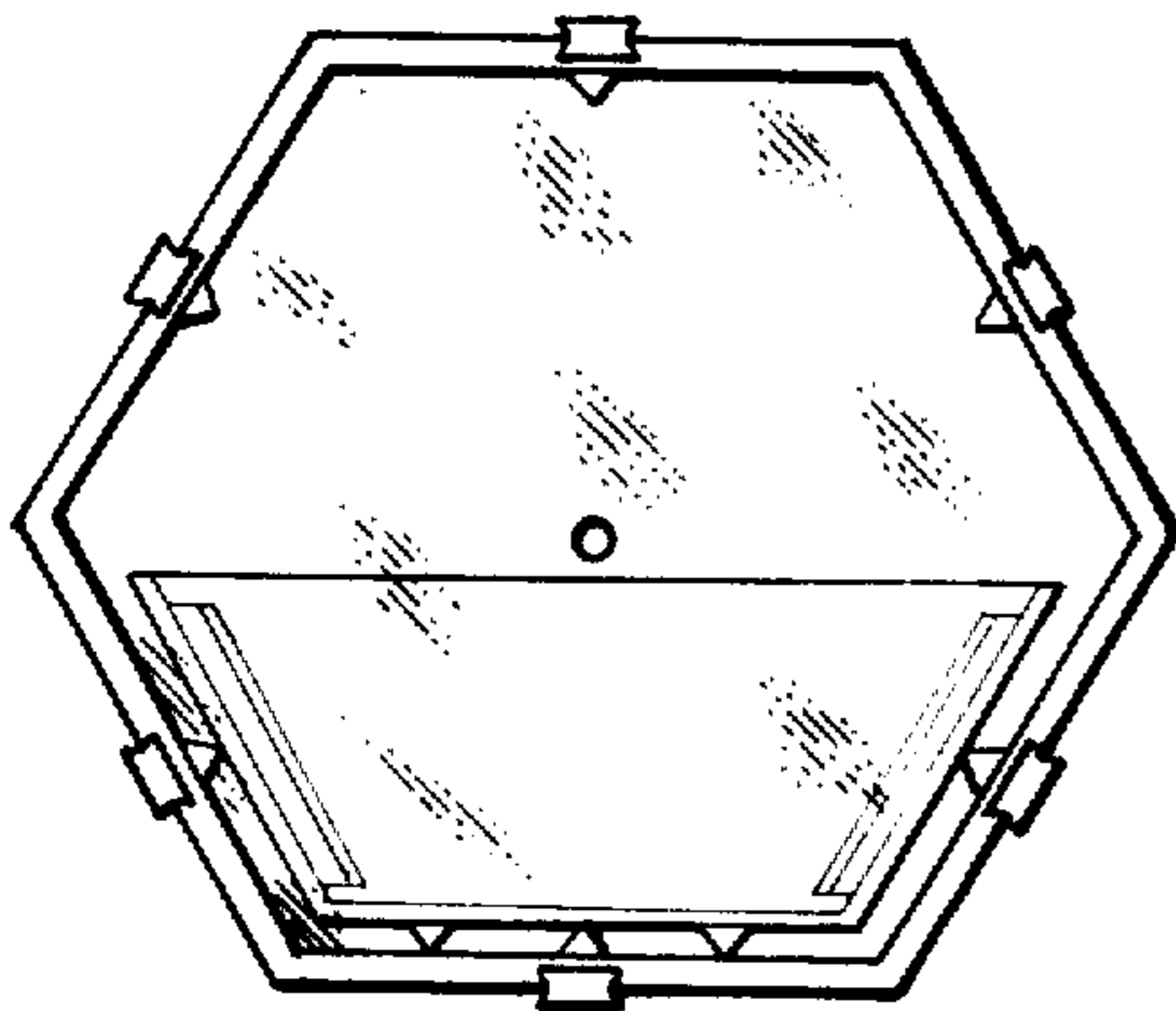
FIG. 9 is a reduced front elevational view of a sixth embodiment of the design of FIG. 1.

The only difference in the embodiment of FIGS. 5 through 9 is the arrangement and number of the individual planter units.

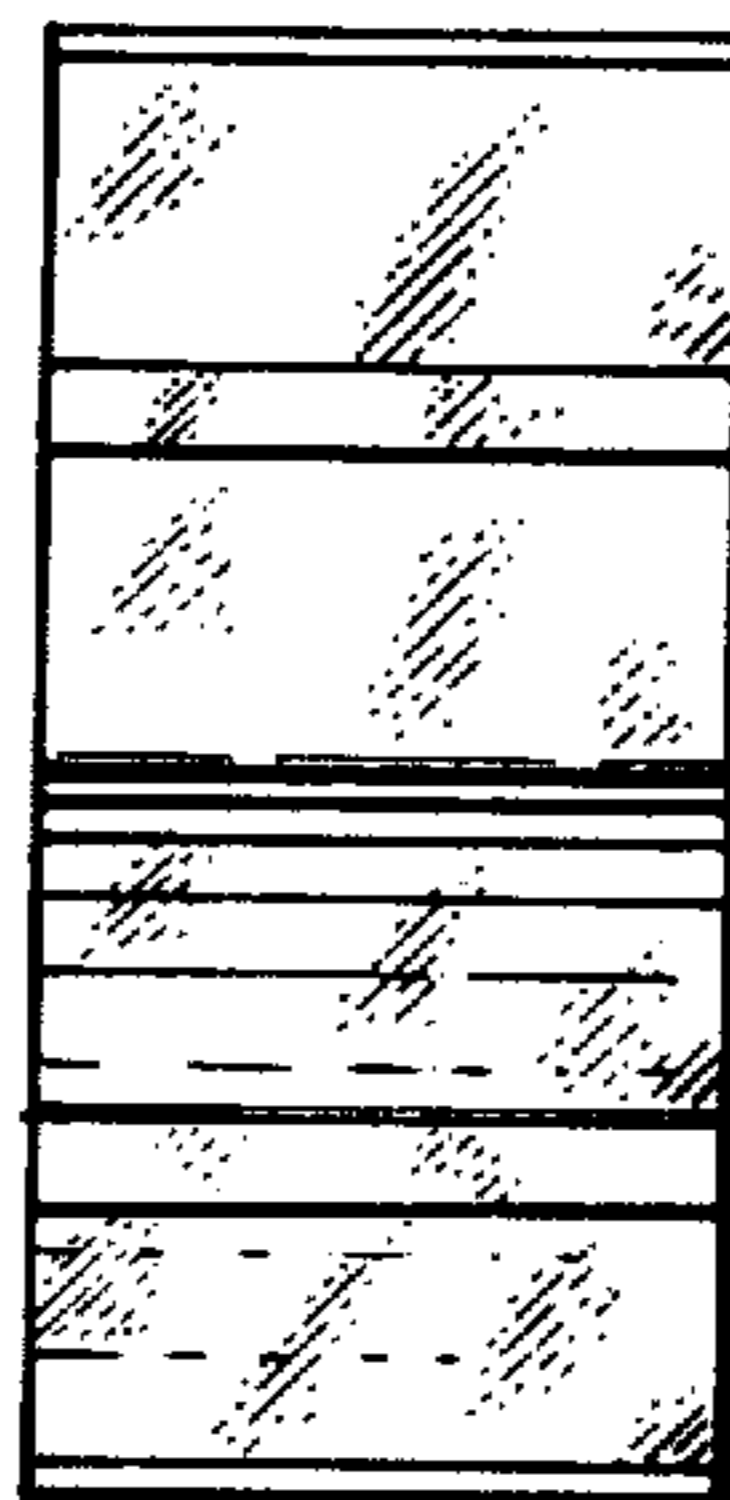




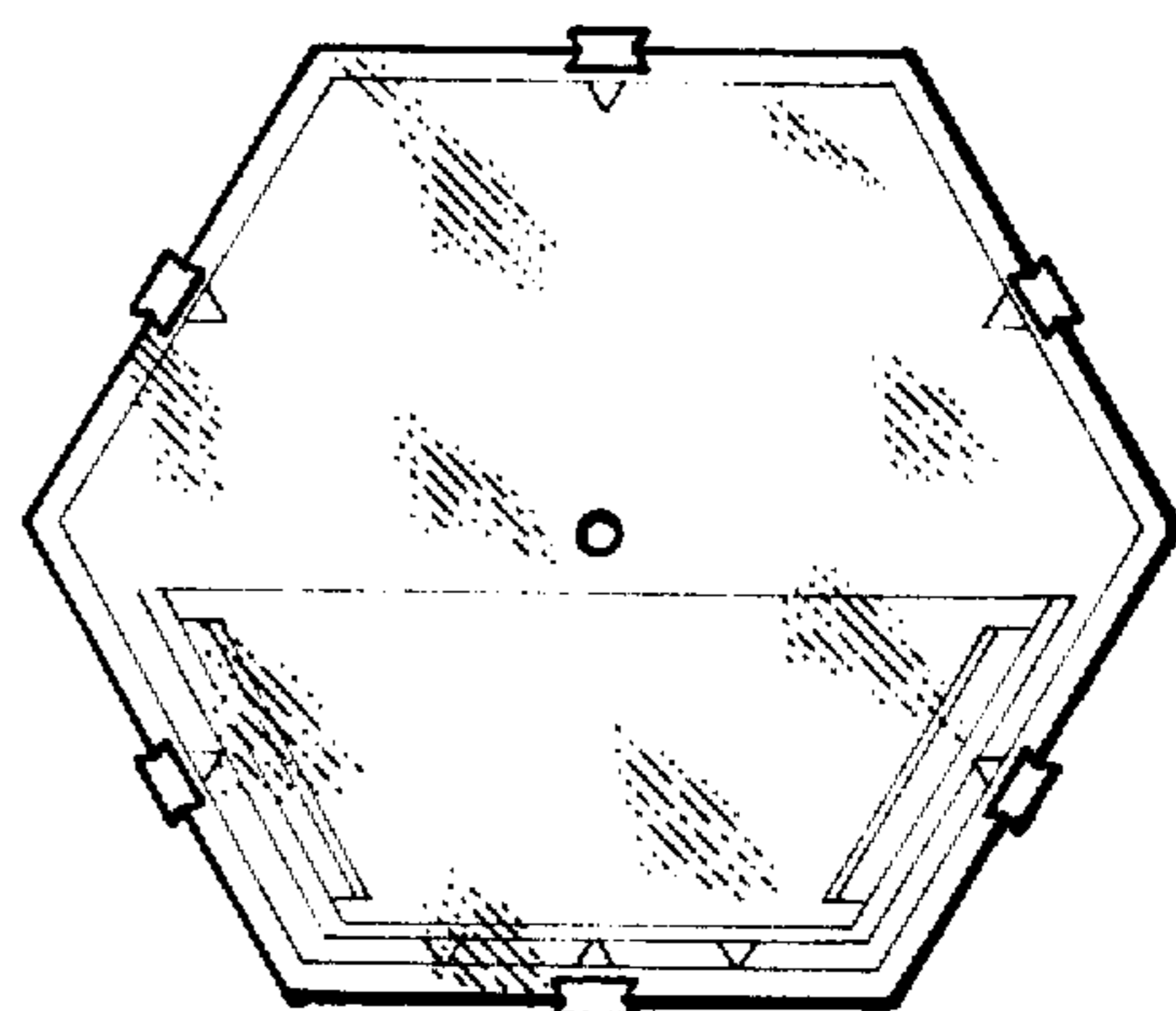
*Fig. 1*



*Fig. 2*



*Fig. 3*



*Fig. 4*

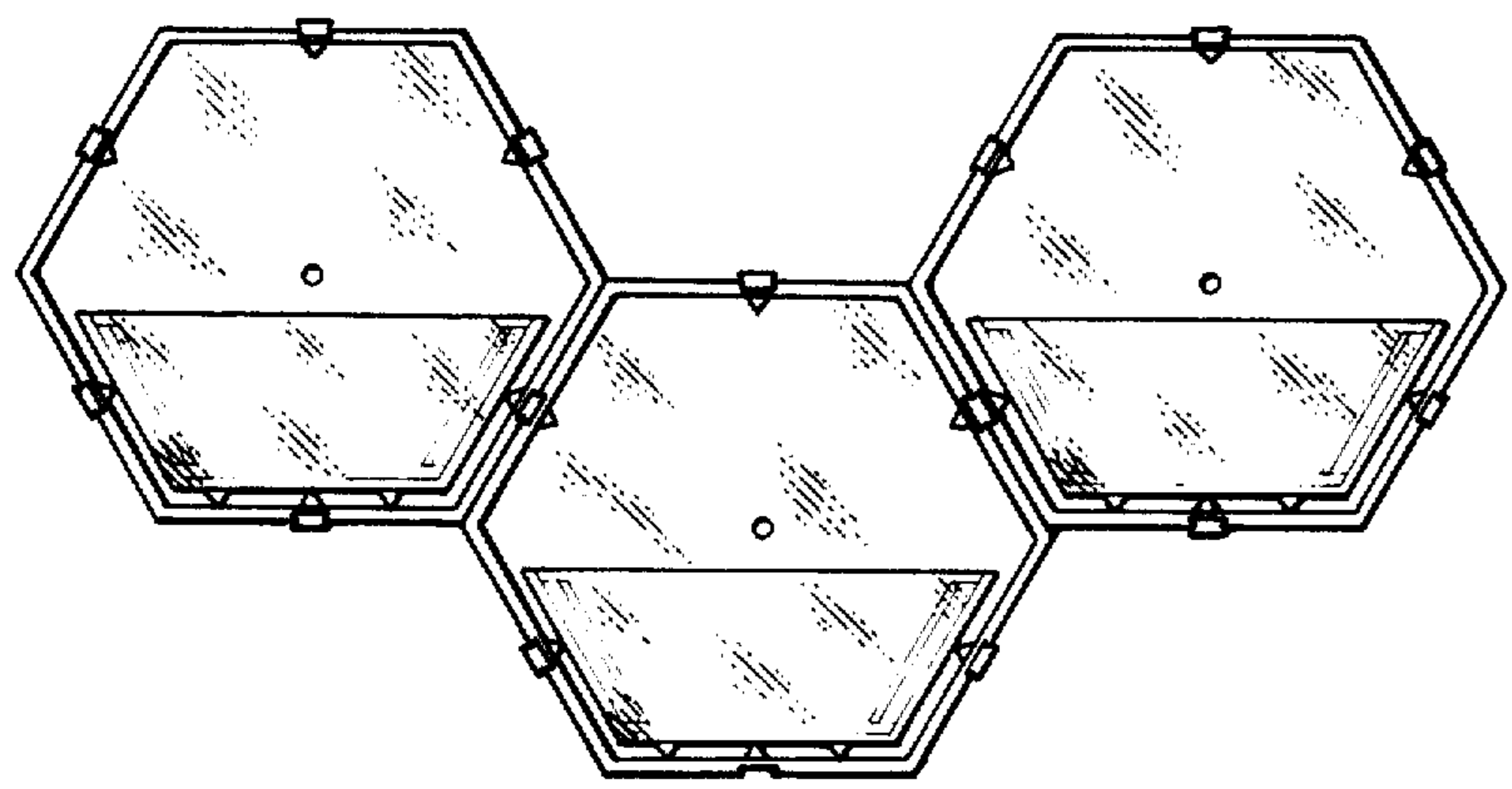


Fig. 5

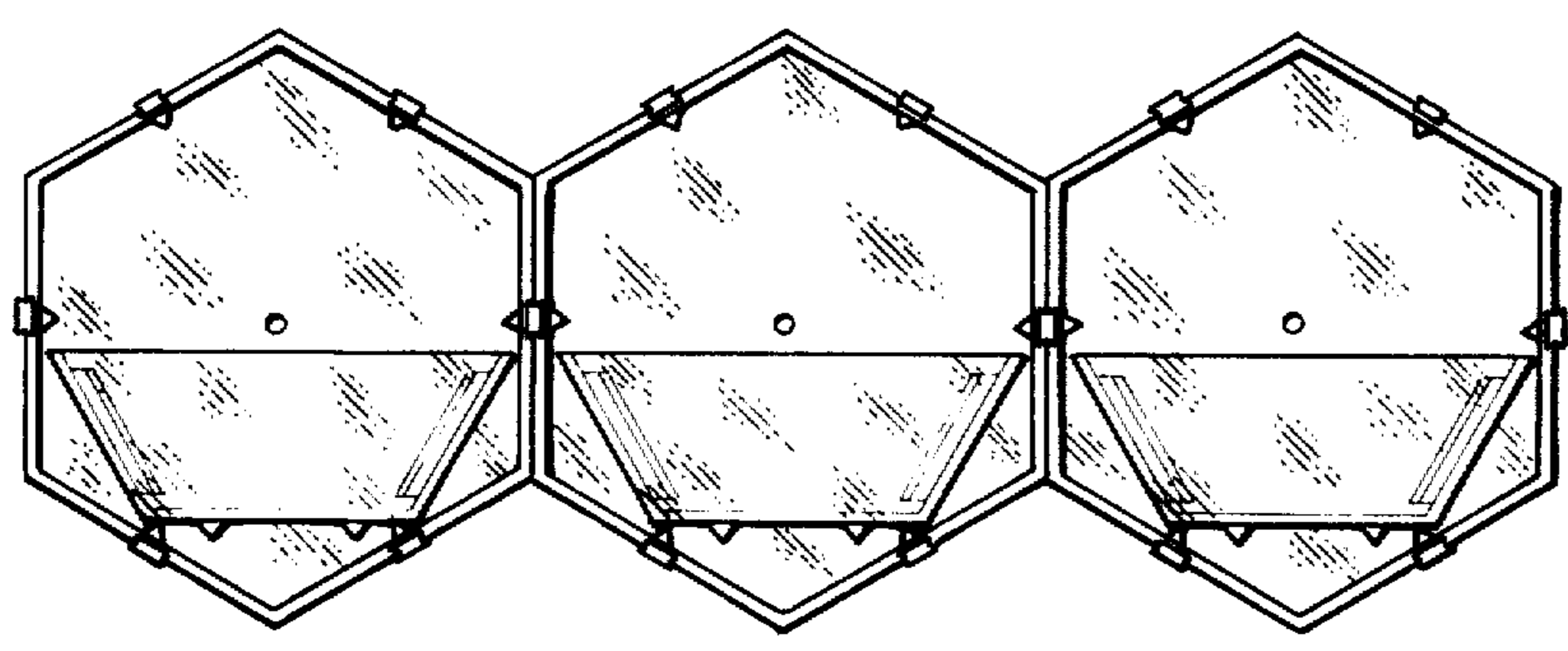


Fig. 6

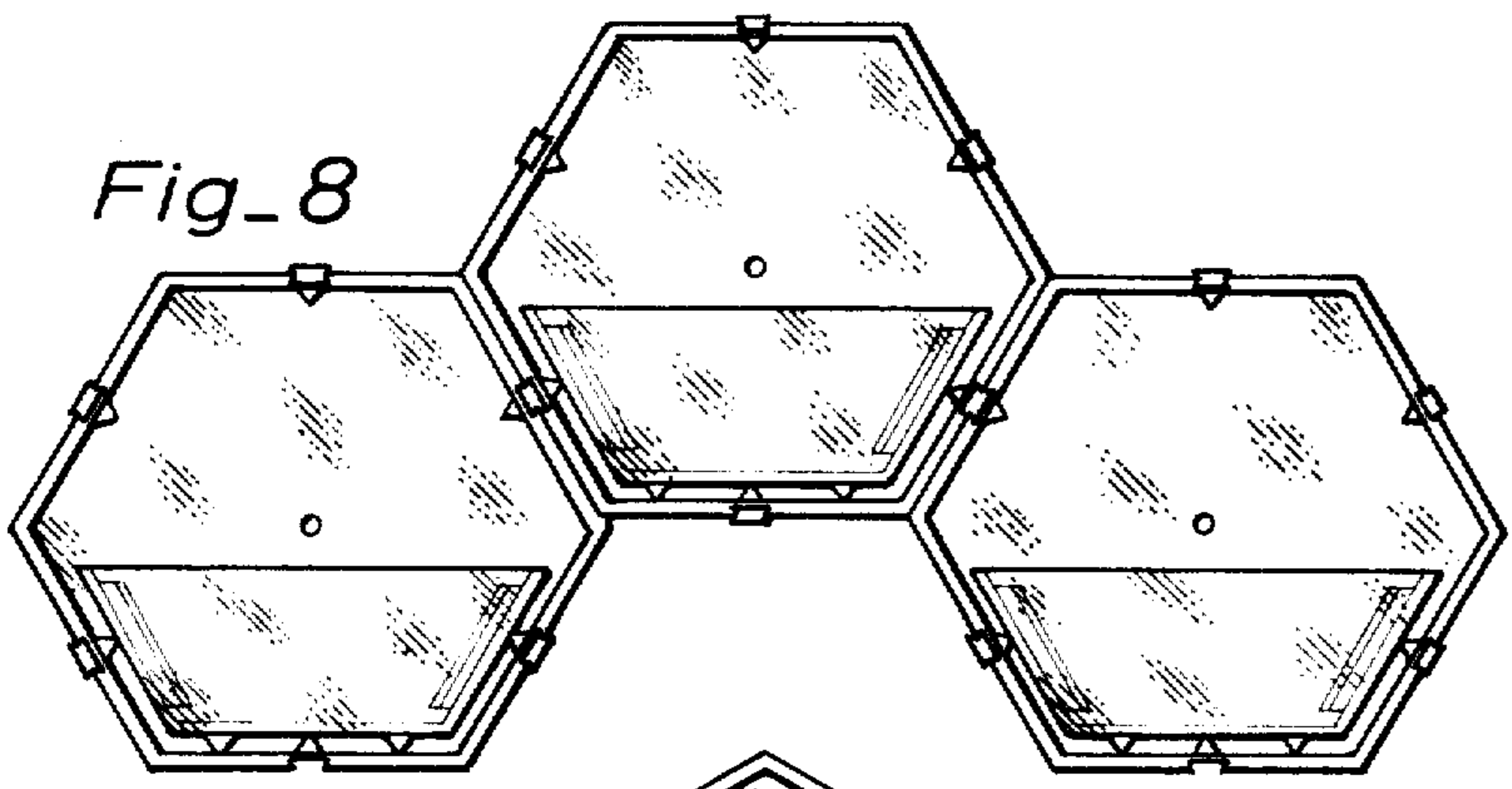


Fig. 8

Fig. 7

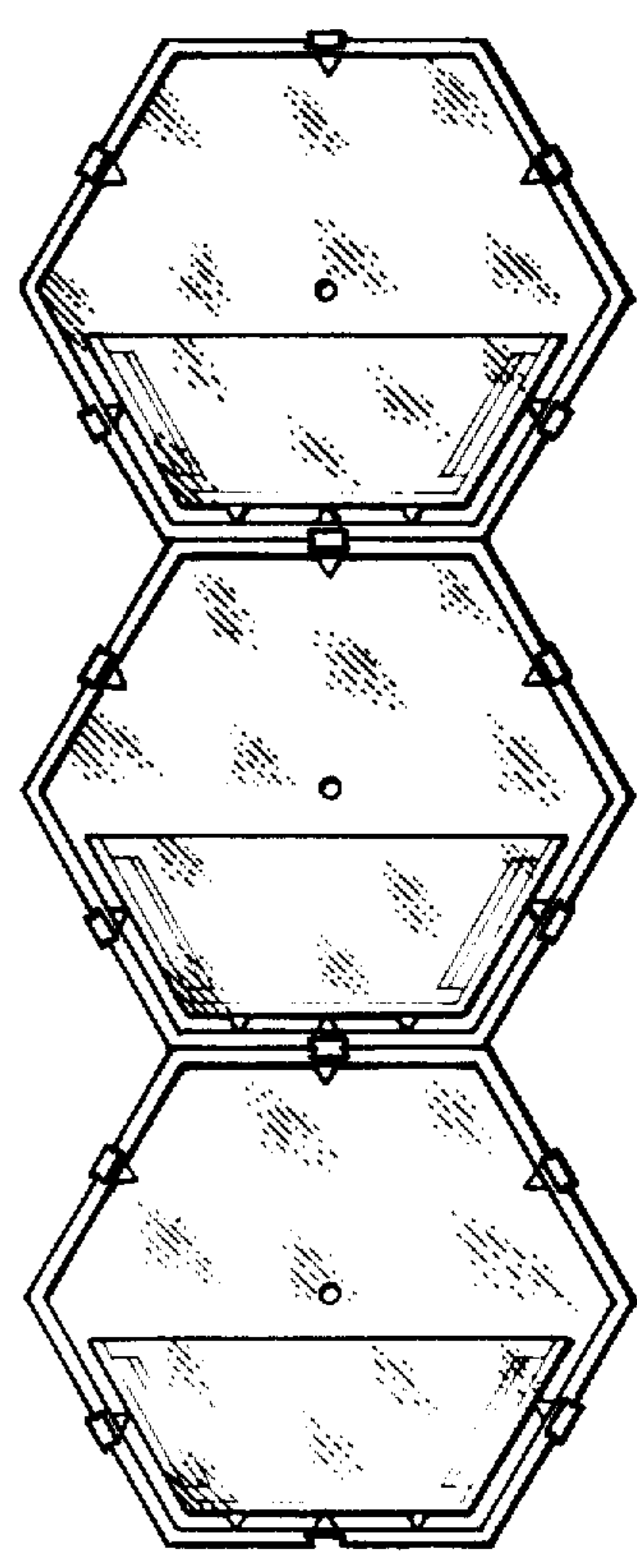
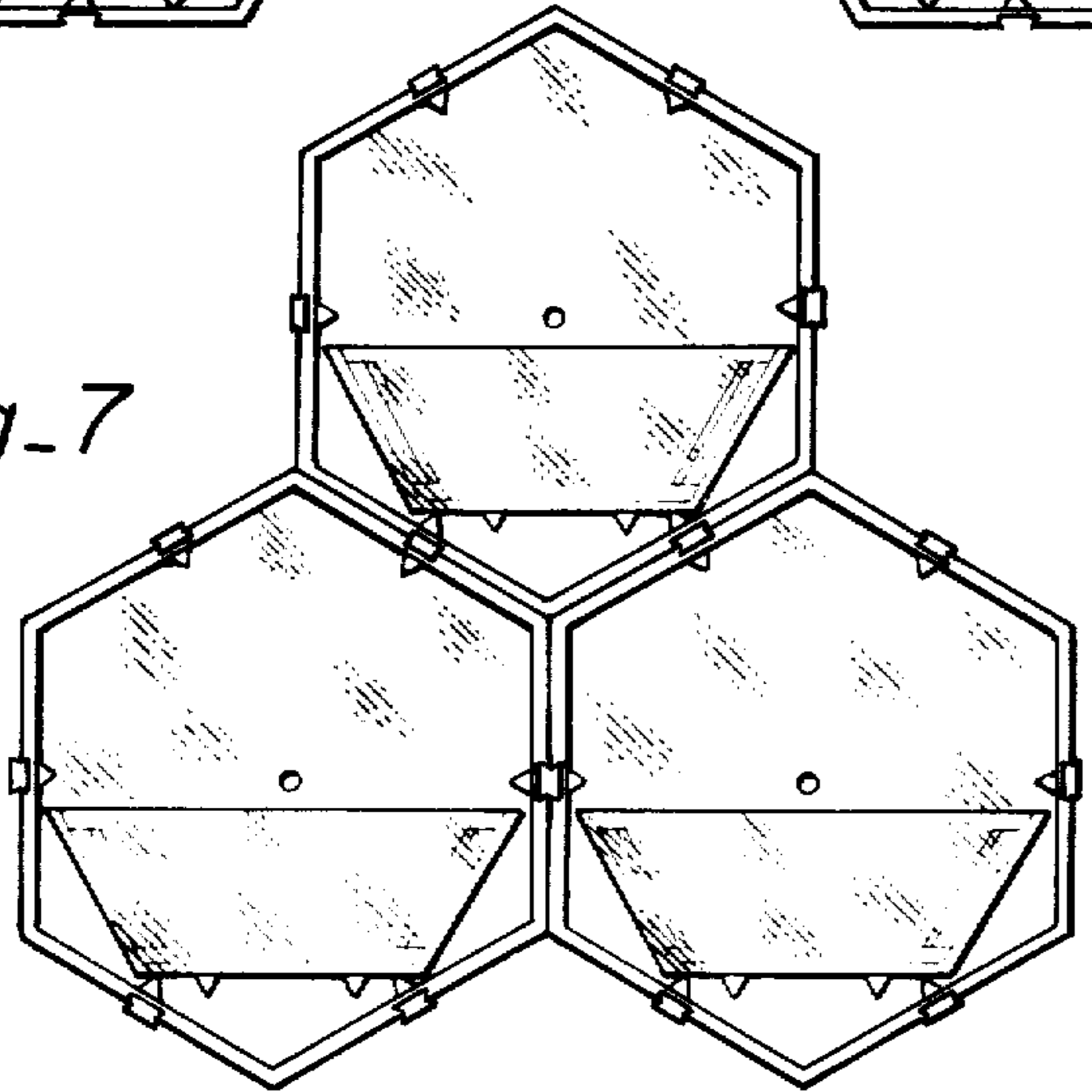


Fig. 9