

[54] DIGITAL CLOCK

D. 229,213 11/1973 Sasaki D10/38

[76] Inventors: Walter Drobshoff, 3616 Tunis Ave., San Jose, Calif. 95132; Ivan H. Hamilton, 2431 Edsel Dr., Milpitas, Calif. 95035

OTHER PUBLICATIONS

Suppliment to Home Furnishings Daily-6/14/76-West-Clox® Quartzmatic AD-Pendant Watch at bottom-left.

[**] Term: 14 Years

Primary Examiner—Nelson C. Holtje

[21] Appl. No.: 115,432

[57] CLAIM

[22] Filed: Jan. 25, 1980

The ornamental design for a digital clock, as shown and described.

[51] Int. Cl. D10-01

[52] U.S. Cl. D10/15

[58] Field of Search D10/1, 15, 22-23, D10/38, 122-126; 368/29-30, 82-84, 223, 228, 239-242, 276, 277, 285

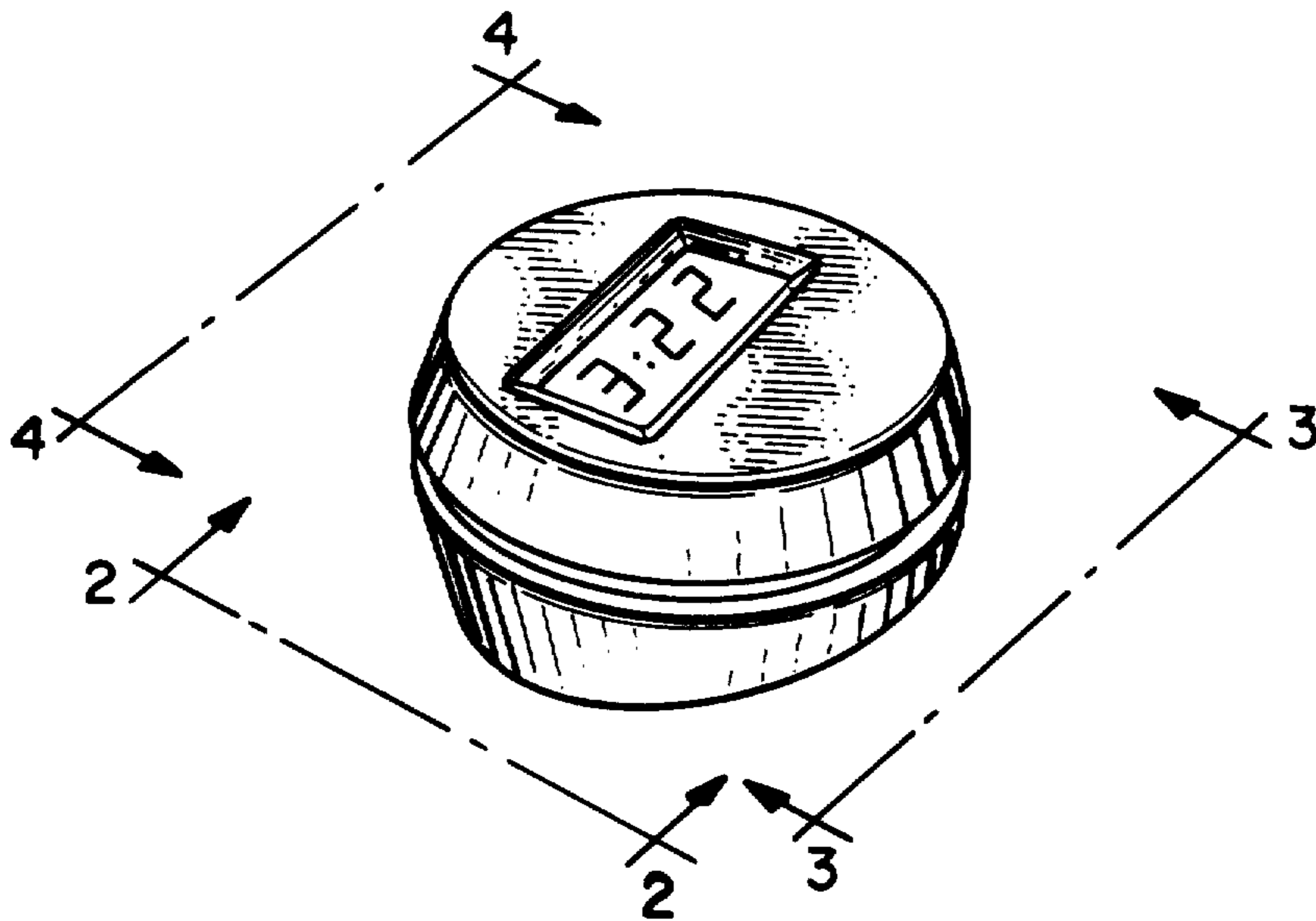
DESCRIPTION

[56] References Cited

U.S. PATENT DOCUMENTS

- D. 38,377 12/1906 Newman D10/22
- D. 161,957 2/1951 Newman D10/22
- D. 162,326 3/1951 Lux D10/22
- D. 190,750 6/1961 Marti D10/22
- D. 206,820 1/1967 Bieger D10/23 X

FIG. 1 is a perspective view of a digital clock showing our new design;
 FIG. 2 is a left side elevational view taken from line 2—2 of FIG. 1;
 FIG. 3 is a front elevational view as taken from line 3—3 of FIG. 1;
 FIG. 4 is a rear elevational view as taken from line 4—4 of FIG. 1;
 FIG. 5 is a top view as taken from line 5—5 of FIG. 2;
 FIG. 6 is a bottom plan view as taken from line 6—6 of FIG. 2.



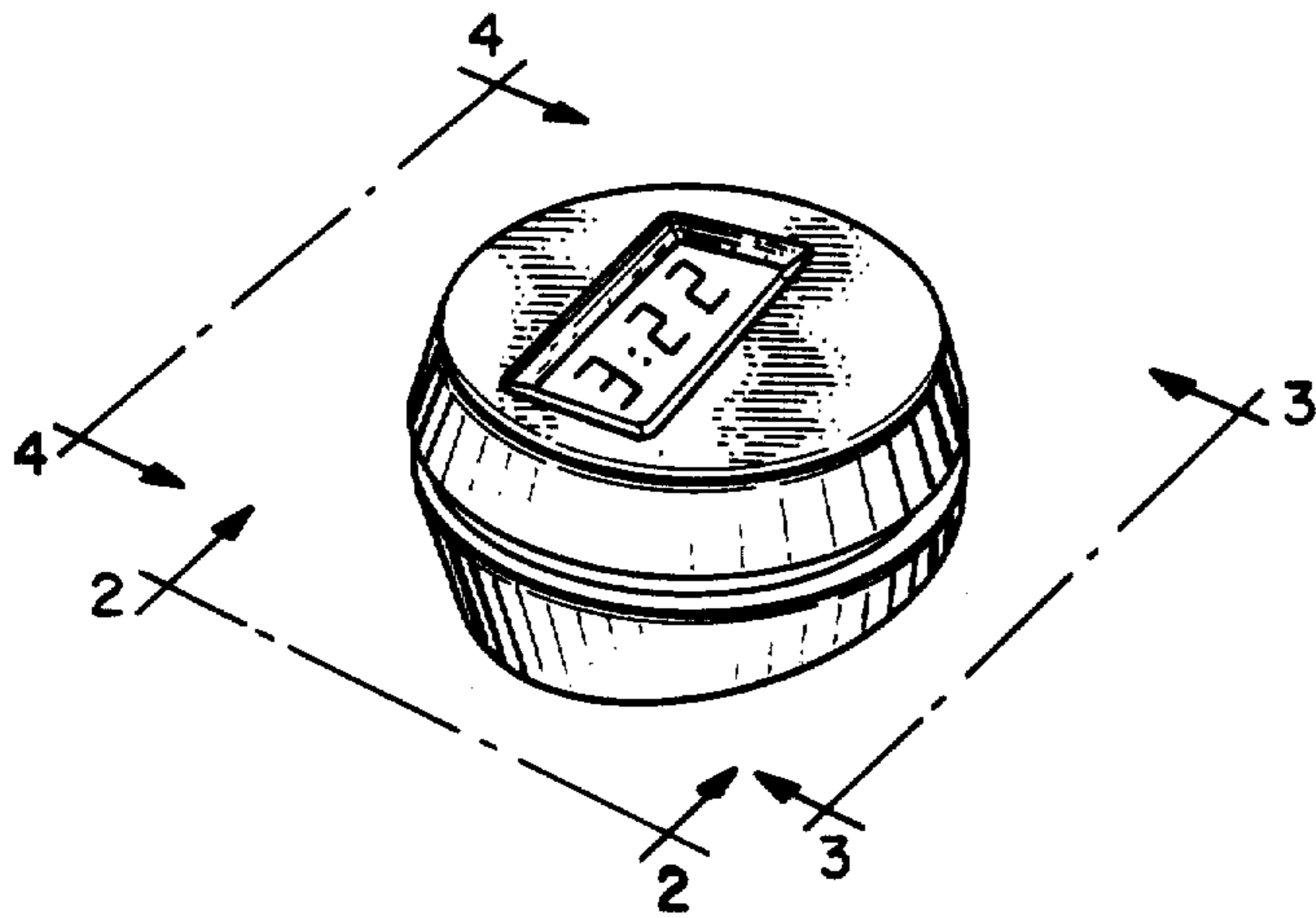


Fig-1

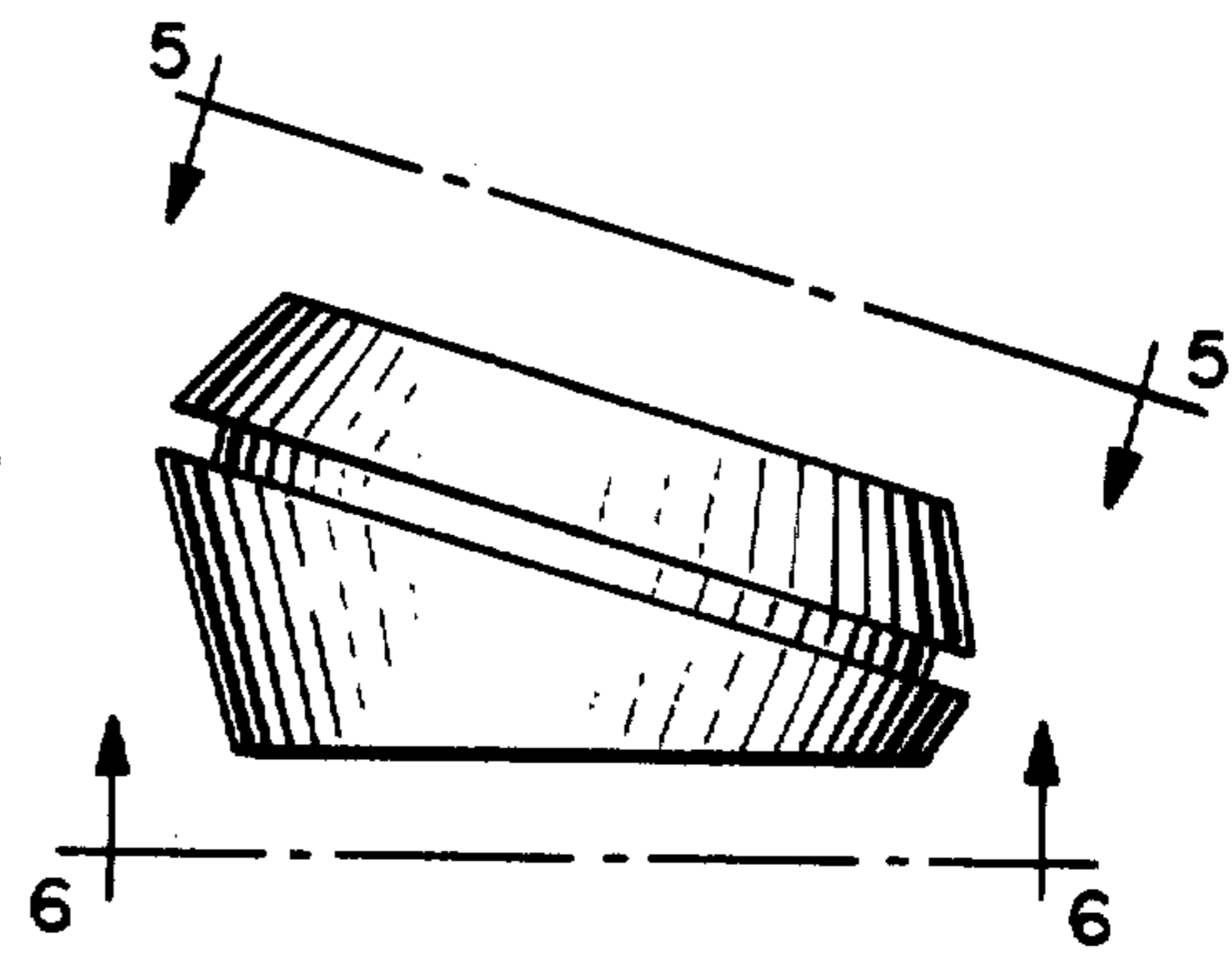


Fig-2

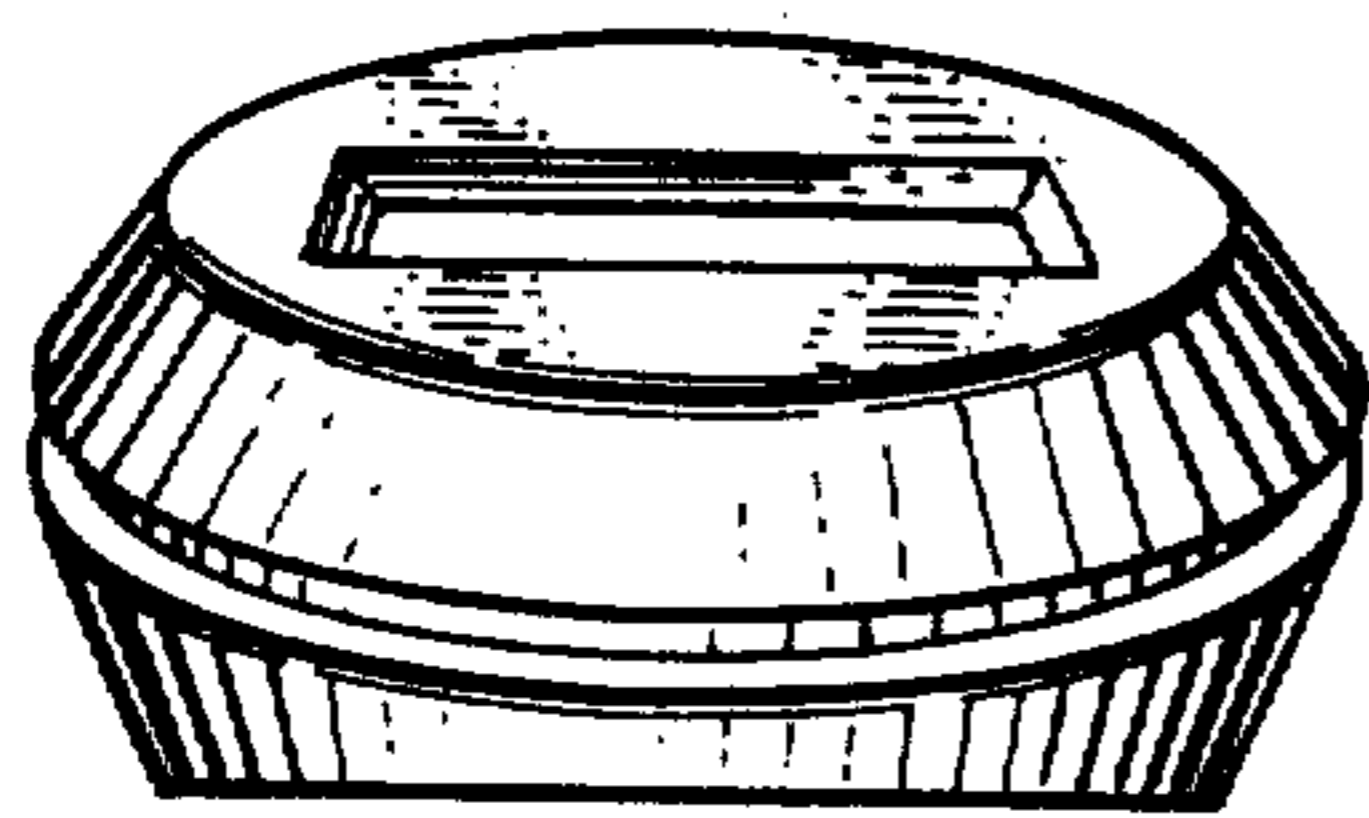


Fig-3

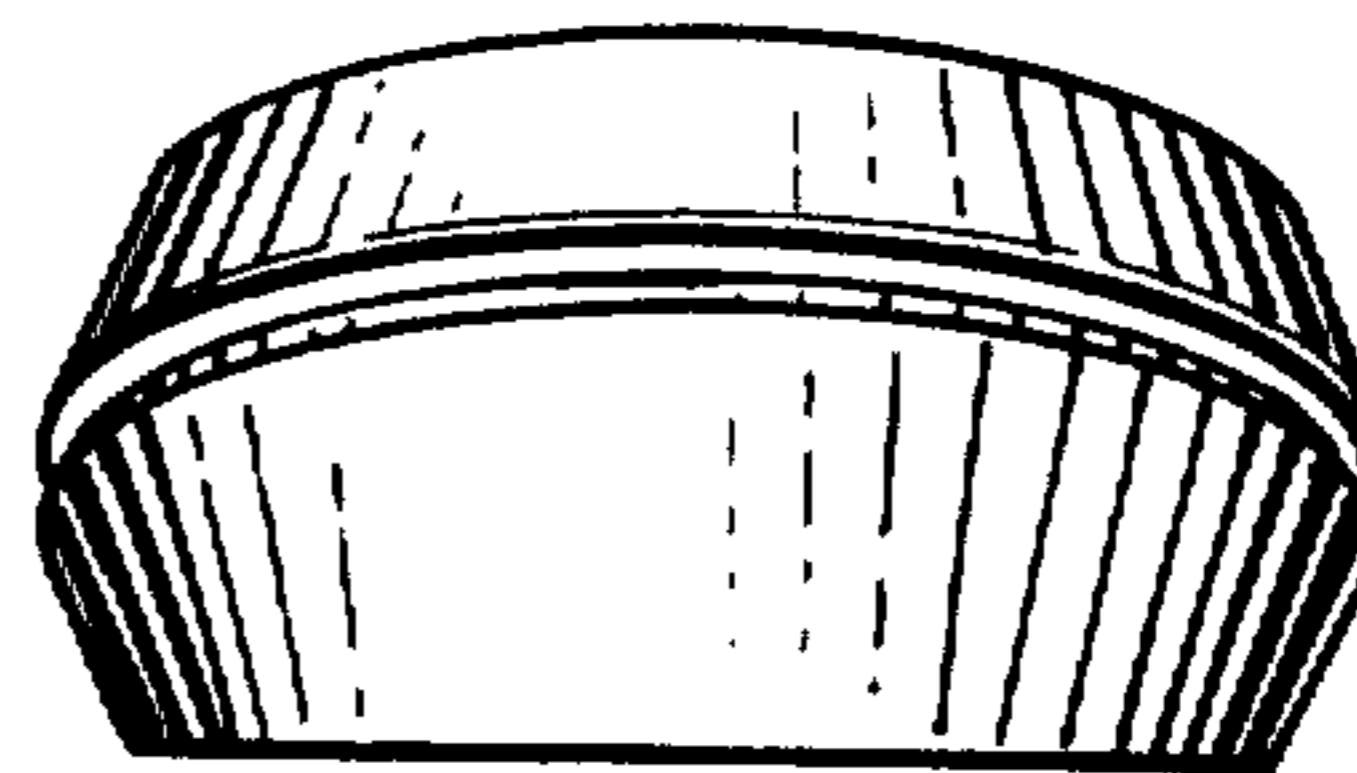


Fig-4

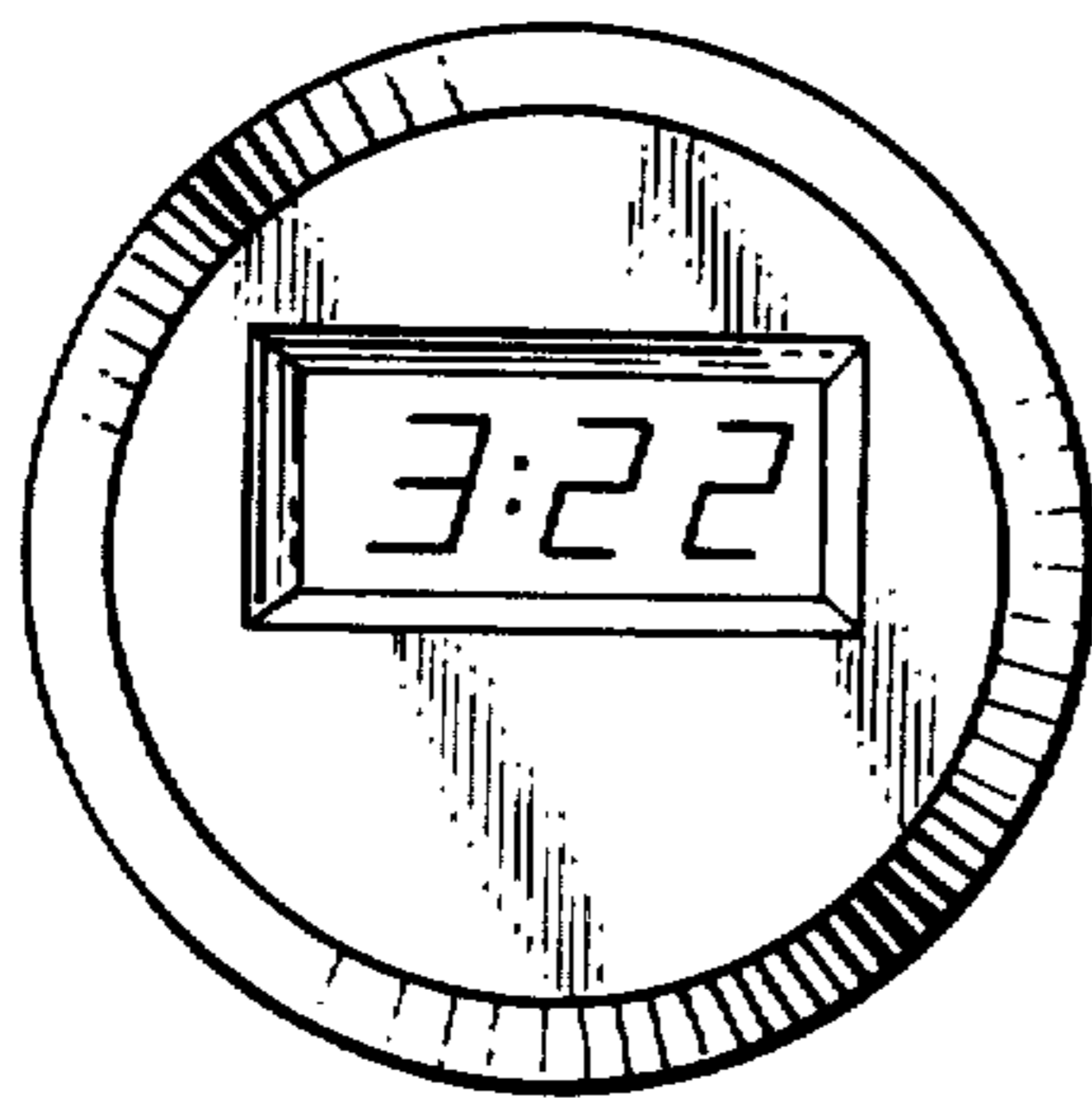


Fig-5

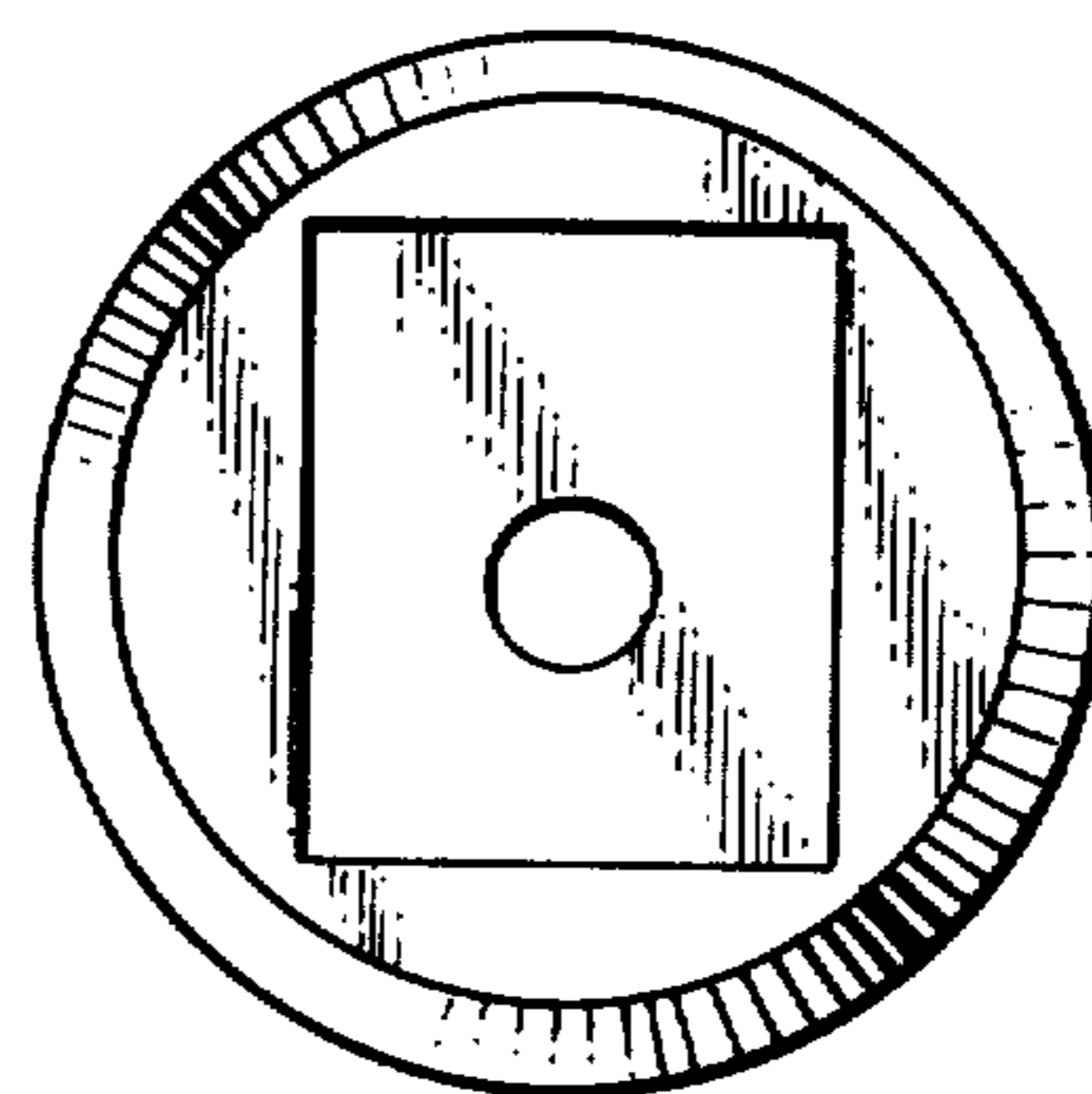


Fig-6