

[54] ATTACHMENT DEVICE FOR ATTACHMENT OF THE FRONTAL PROFILE BAR TO THE SWING ARMS OF A SUN-BLIND

2805468 8/1978 Fed. Rep. of Germany 160/66
1304823 1/1973 United Kingdom 160/66

Primary Examiner—A. Hugo Word
Attorney, Agent, or Firm—Witherspoon & Hargest

[76] Inventor: Hans R. Brolin, Parkvägen 24, Mullsjö, Sweden

[**] Term: 14 Years

[21] Appl. No.: 40,291

[22] Filed: May 18, 1979

[30] Foreign Application Priority Data

Nov. 22, 1978 [SE] Sweden 782726

[51] Int. Cl. D8-08

[52] U.S. Cl. D8/400

[58] Field of Search 160/66, 67, 22; 135/5 AT; D8/400, 354, 363, 377, 382, 394

[56] References Cited

FOREIGN PATENT DOCUMENTS

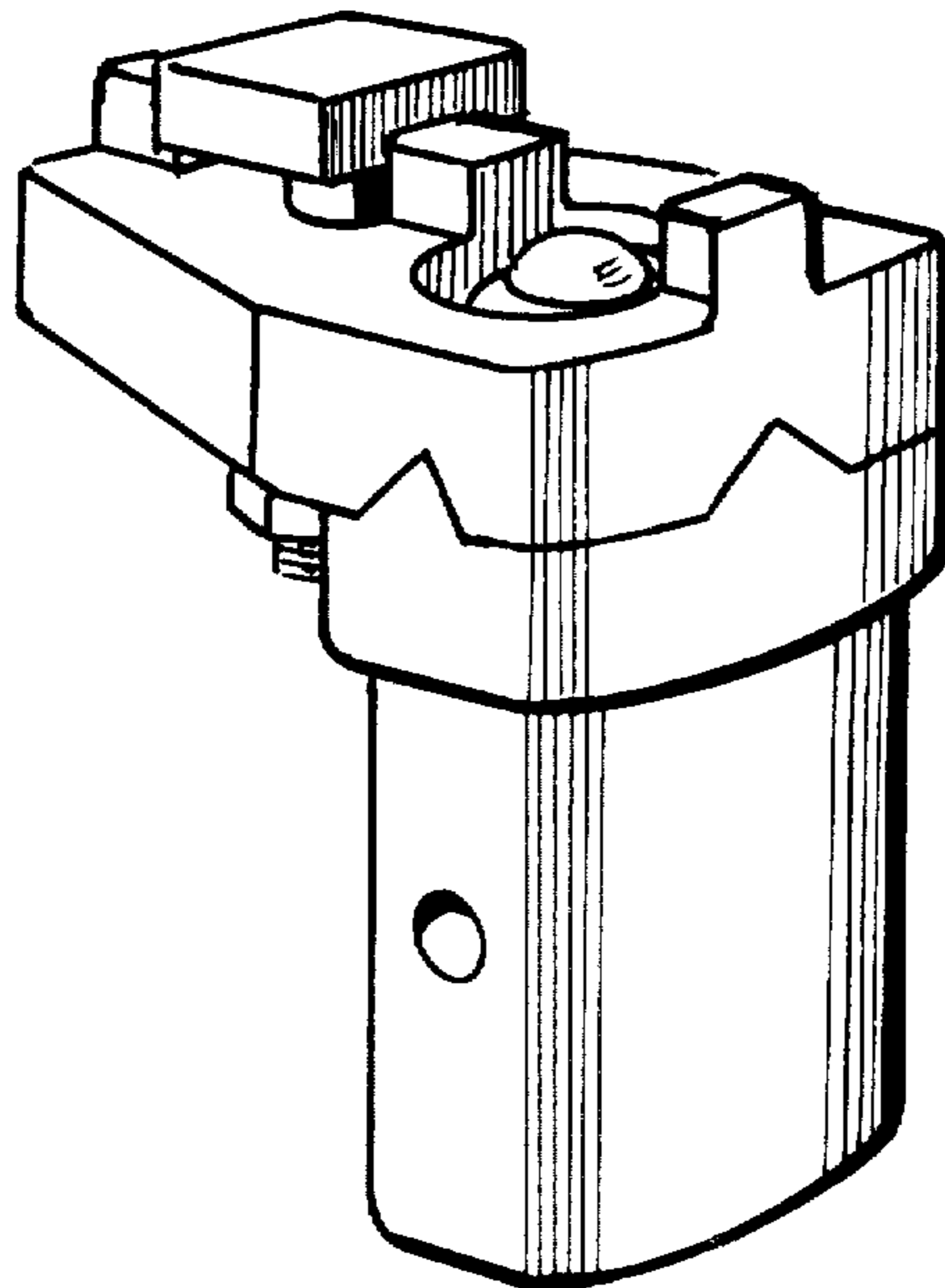
2749438 5/1978 Fed. Rep. of Germany 160/66

[57] CLAIM

The ornamental design for an attachment device for attachment of the frontal profile bar to the swing arms of a sun-blind, as shown and described.

DESCRIPTION

FIG. 1 is a perspective view of the new attachment device,
FIG. 2 is a perspective view of the new attachment device seen opposite to the one of FIG. 1,
FIG. 3 is a perspective view of the part of the new attachment device to be attached to the frontal profile bar,
FIG. 4 is a perspective view of the new attachment device seen opposite to the one of FIG. 3,
FIG. 5 is a perspective view of a part of the new attachment device to be attached to the swing arms, and
FIG. 6 is a perspective view of a part of the new attachment device seen opposite to the one of FIG. 5.



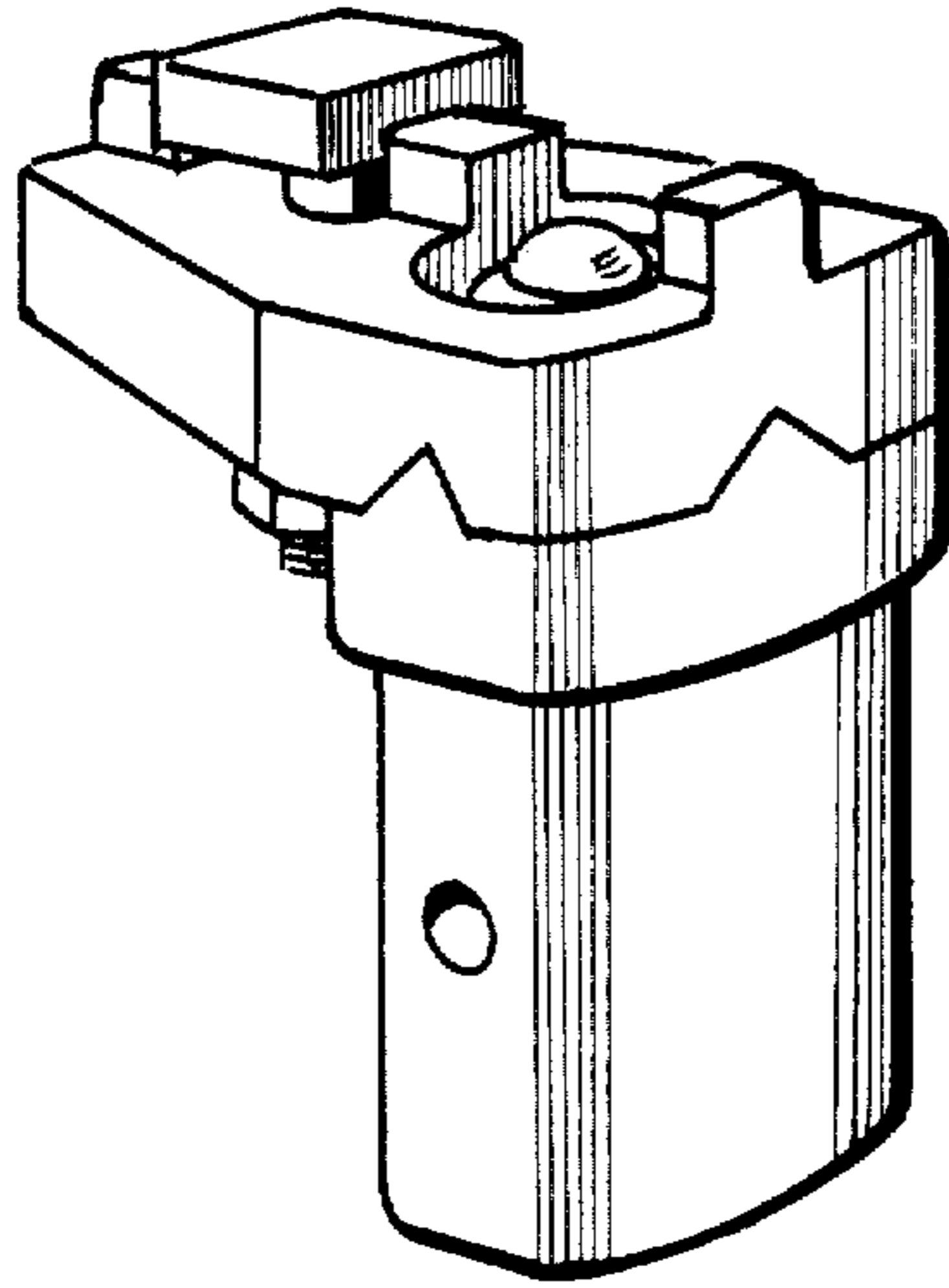


FIG. 1

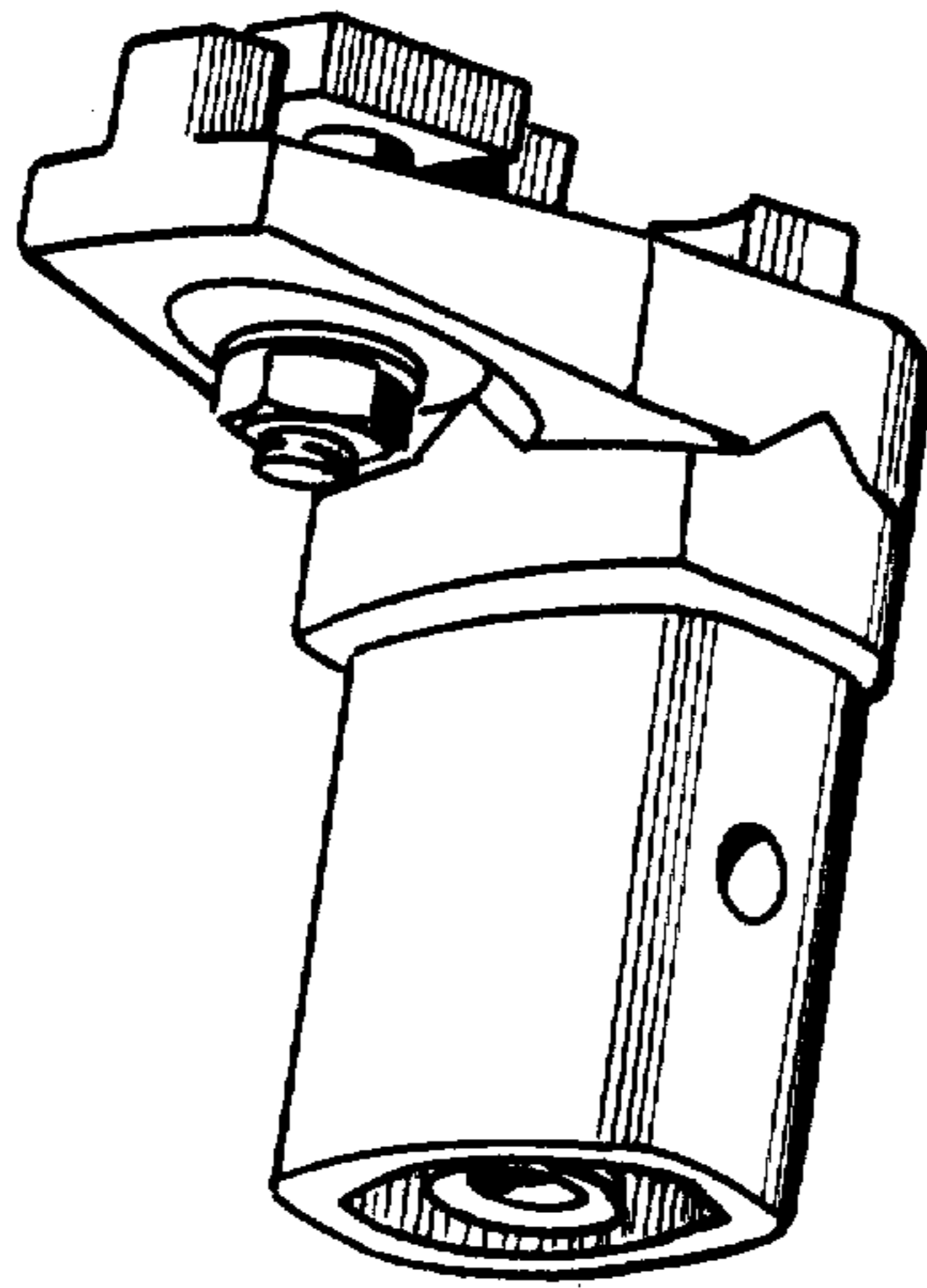


FIG. 2

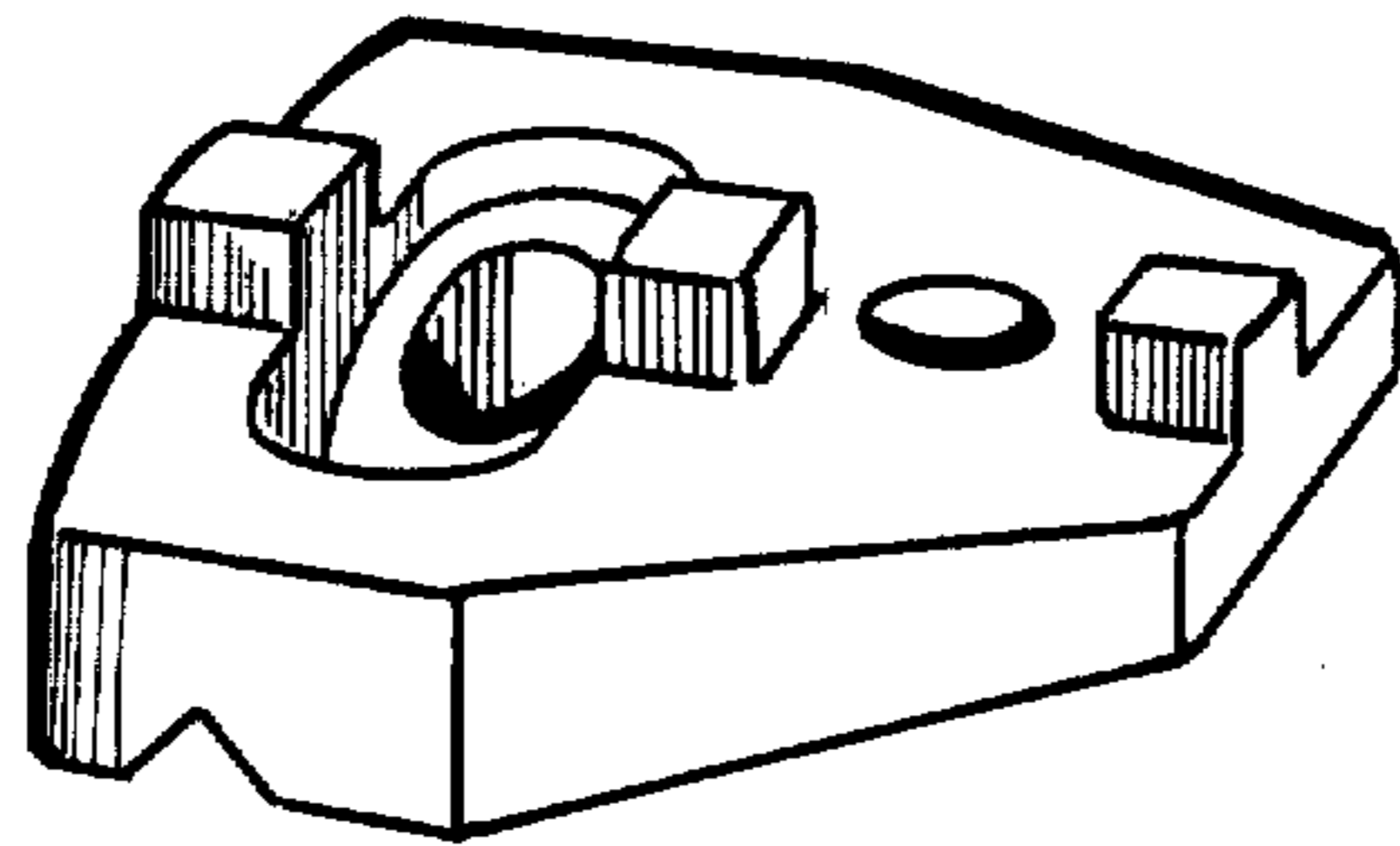


FIG. 3

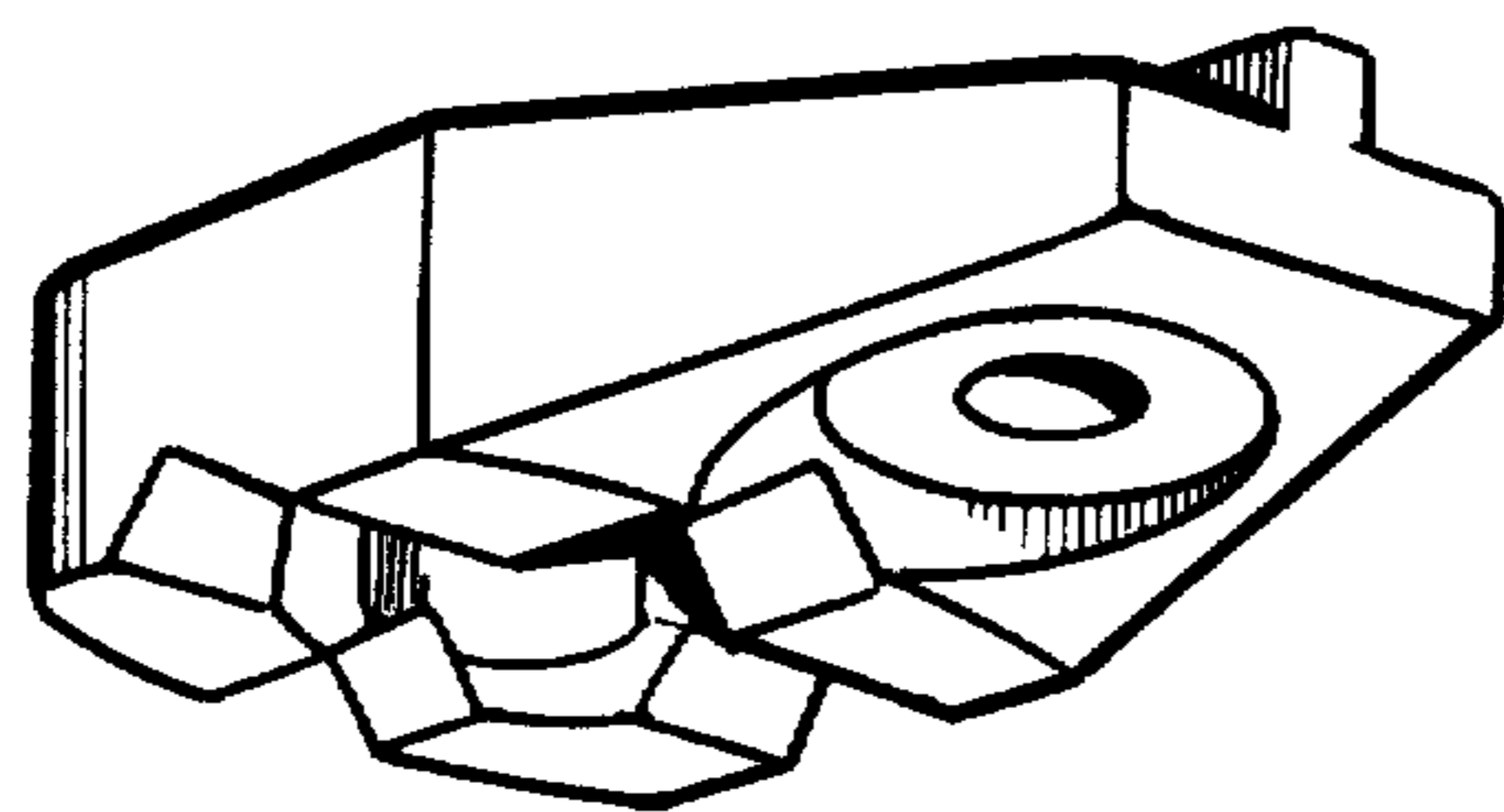


FIG. 4

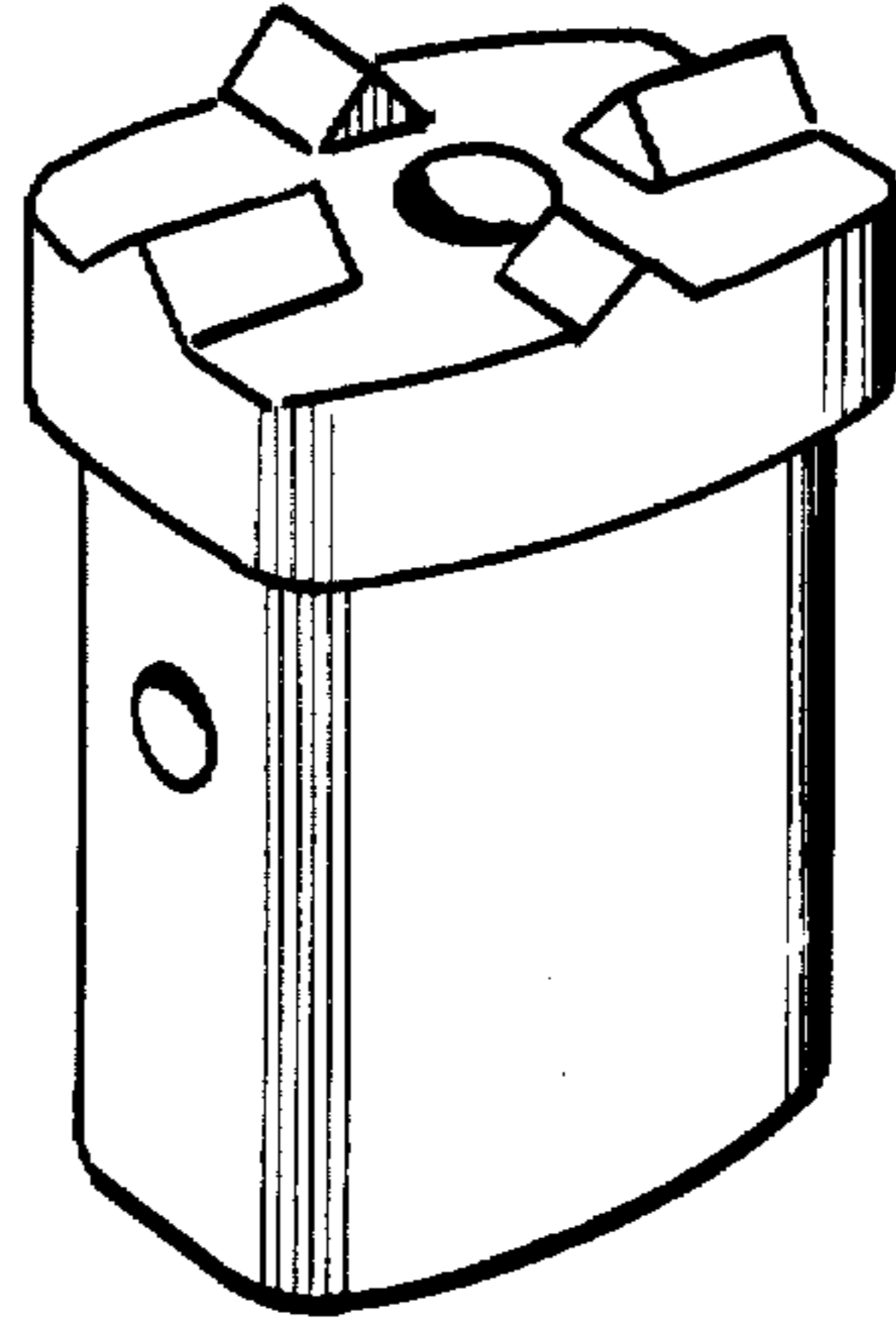


FIG. 5

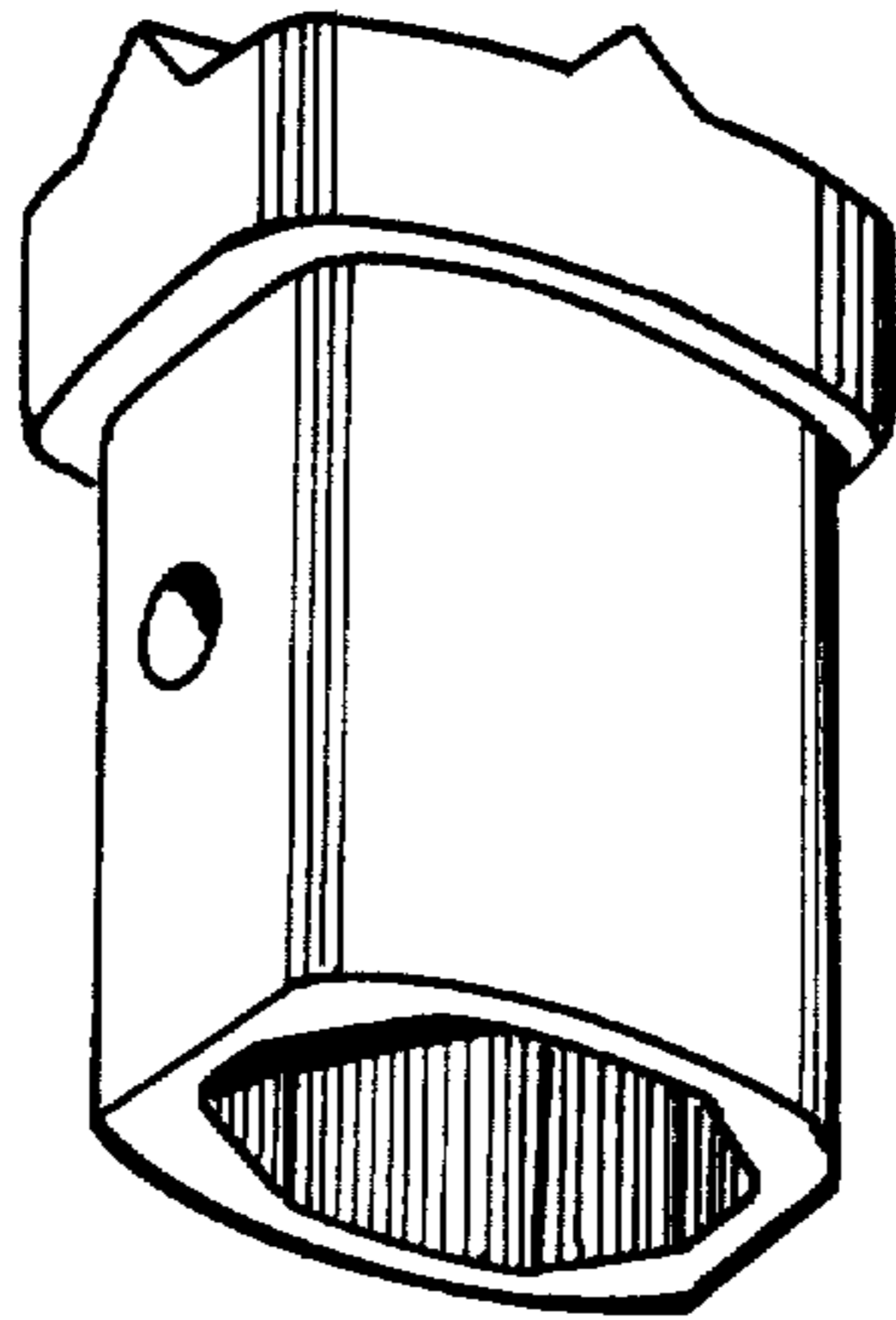


FIG. 6