

[54] **SCREW EYE VISE**

[75] **Inventor:** Robert S. Wallace, Los Angeles, Calif.

[73] **Assignee:** Dan F. Wallace, Karlua-Kona, Hi.

[**] **Term:** 14 Years

[21] **Appl. No.:** 68,159

[22] **Filed:** Aug. 20, 1979

[51] **Int. Cl.** D8—04

[52] **U.S. Cl.** D8/86; D8/74; D8/82

[58] **Field of Search** 81/901, 454, 455; D8/74, 82, 71, 72, 86

[56]

References Cited

U.S. PATENT DOCUMENTS

2,484,655	10/1949	Shreve	81/454
2,758,621	8/1956	Alexander	81/455
3,024,682	3/1962	Finkle	81/901 X
3,901,298	8/1975	Eby	81/455

FOREIGN PATENT DOCUMENTS

12045	of 1913	United Kingdom	81/901
-------	---------	----------------------	--------

Primary Examiner—A. Hugo Word
Attorney, Agent, or Firm—William W. Haefliger

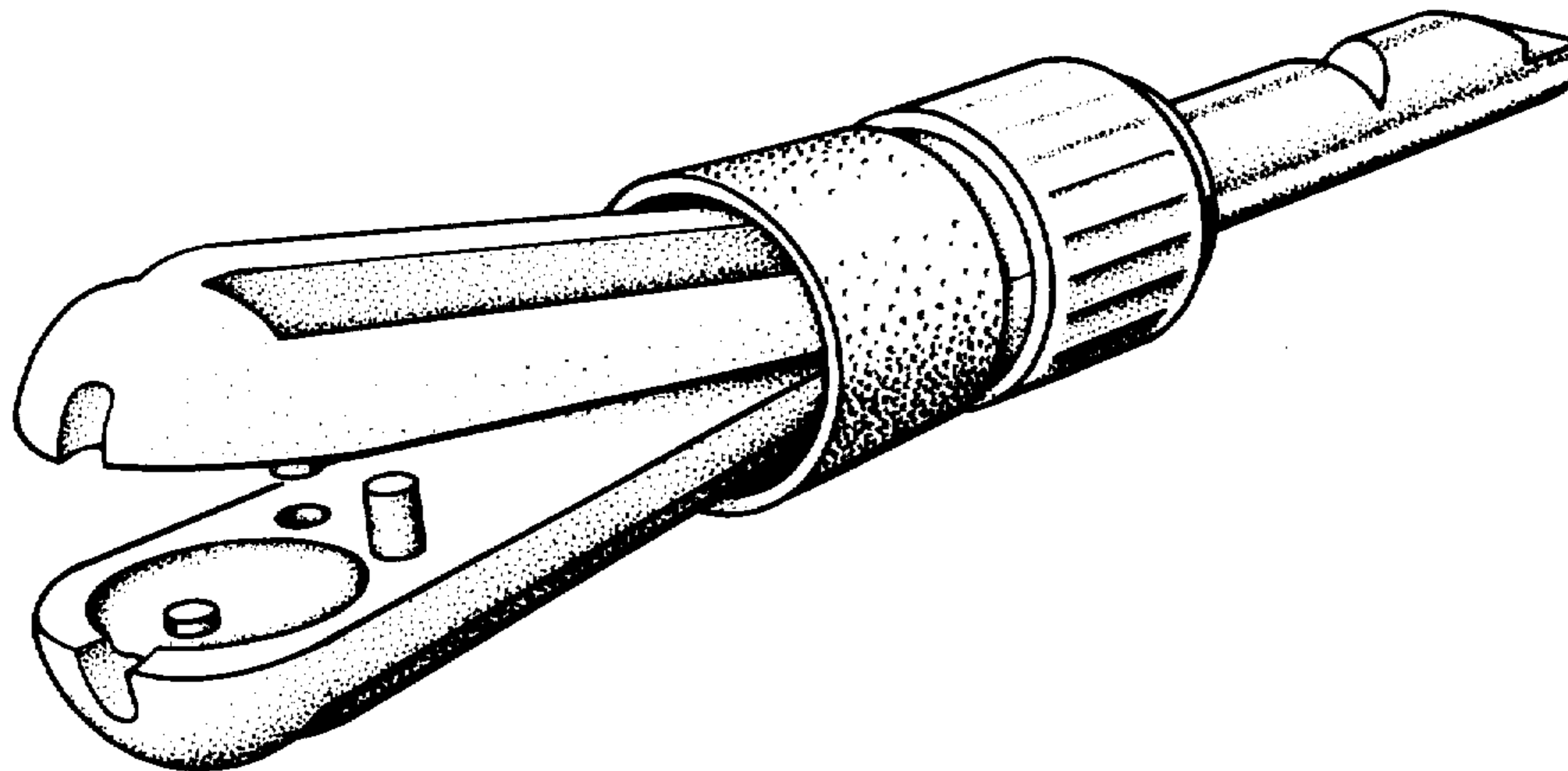
[57]

CLAIM

The ornamental design for screw eye vise, substantially as shown and described.

DESCRIPTION

FIG. 1 is a perspective view showing the front, left side and top of the screw eye vise; and FIG. 2 is a perspective view showing the rear, right side and bottom of the screw eye vise.



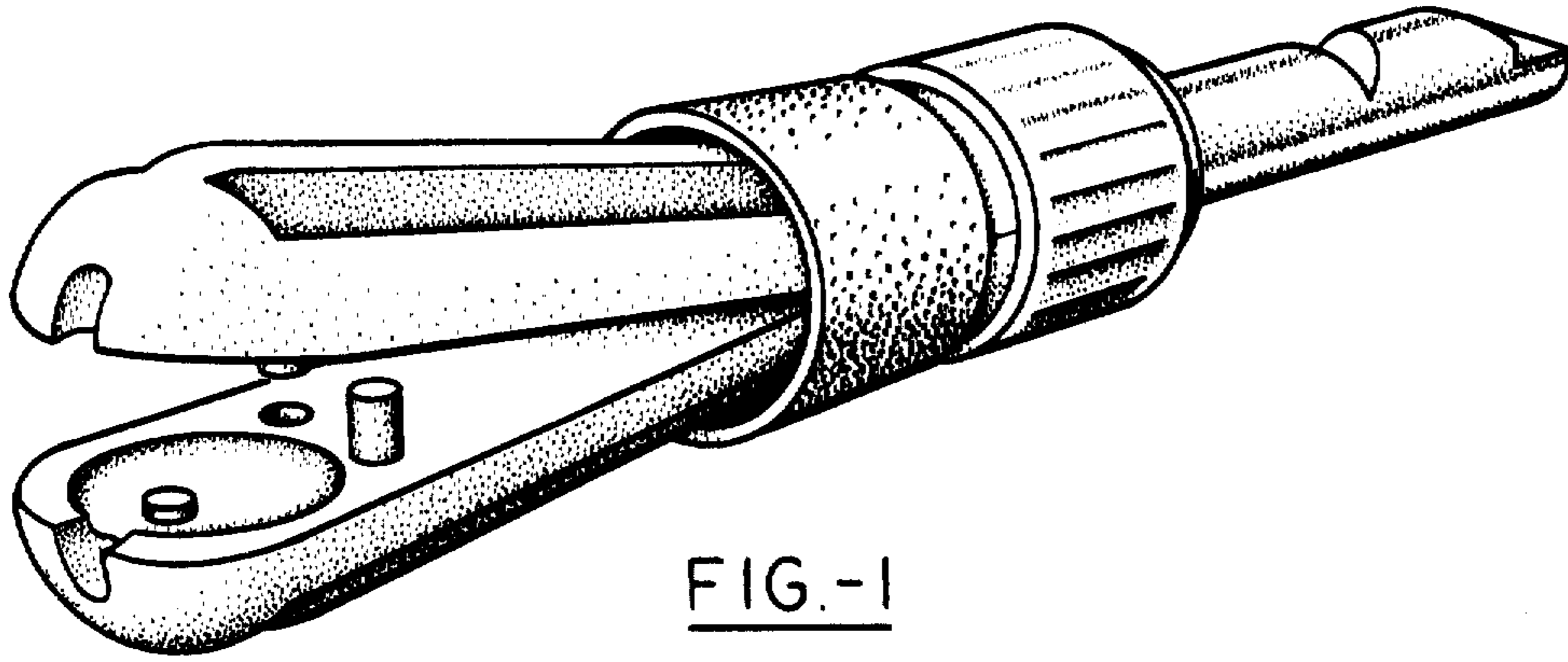


FIG.-1

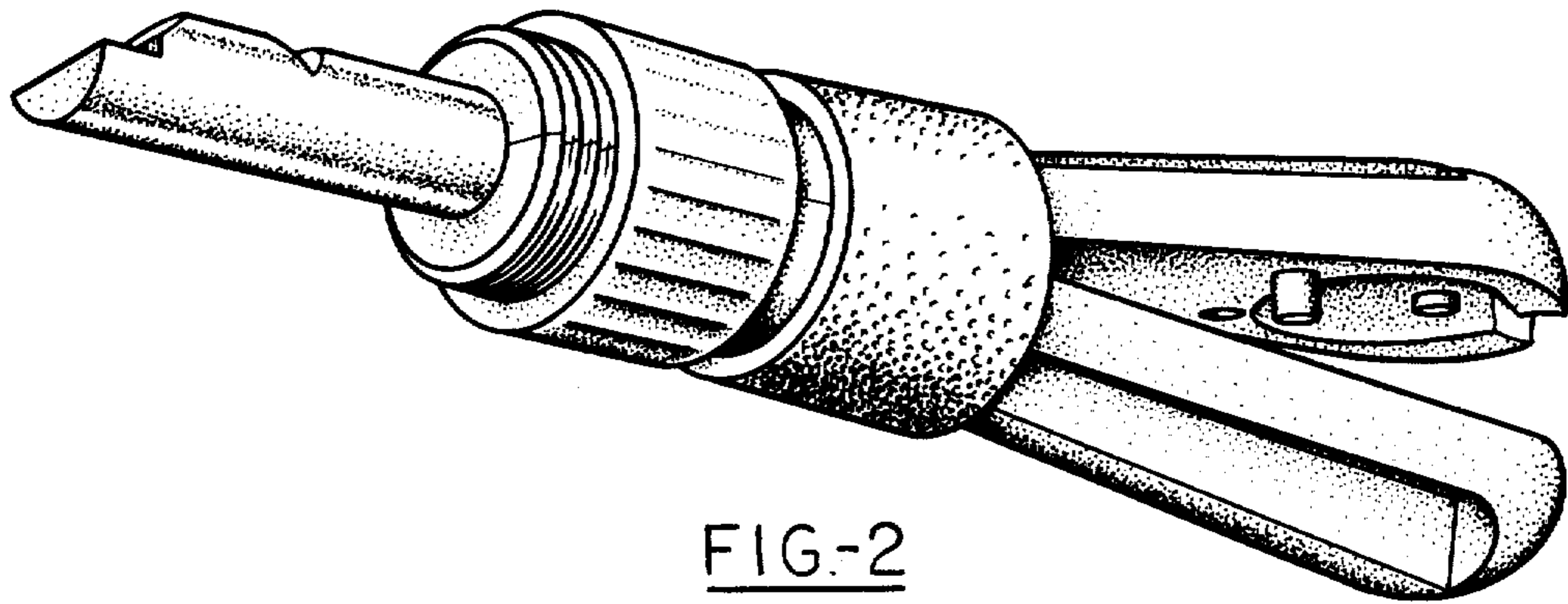


FIG.-2