

[54] **NUTCRACKER**
 [76] Inventor: **Paul A. Yuker**, 1408 Josephine St.,
 Waukesha, Wis. 53186
 [**] Term: **14 Years**
 [21] Appl. No.: **100,019**
 [22] Filed: **Dec. 3, 1979**
 [51] Int. Cl. **D7-06**
 [52] U.S. Cl. **D7/98**
 [58] Field of Search D7/58, 98; 30/120.1,
 30/120.2, 120.3, 120.4, 120.5

D. 251,051 2/1979 Doyel D7/98
 3,578,047 5/1971 Diggs D7/98 X
 4,255,855 3/1981 Brazil 30/120.2

Primary Examiner—Leland A. Sebastian
Attorney, Agent, or Firm—John C. Cooper, III

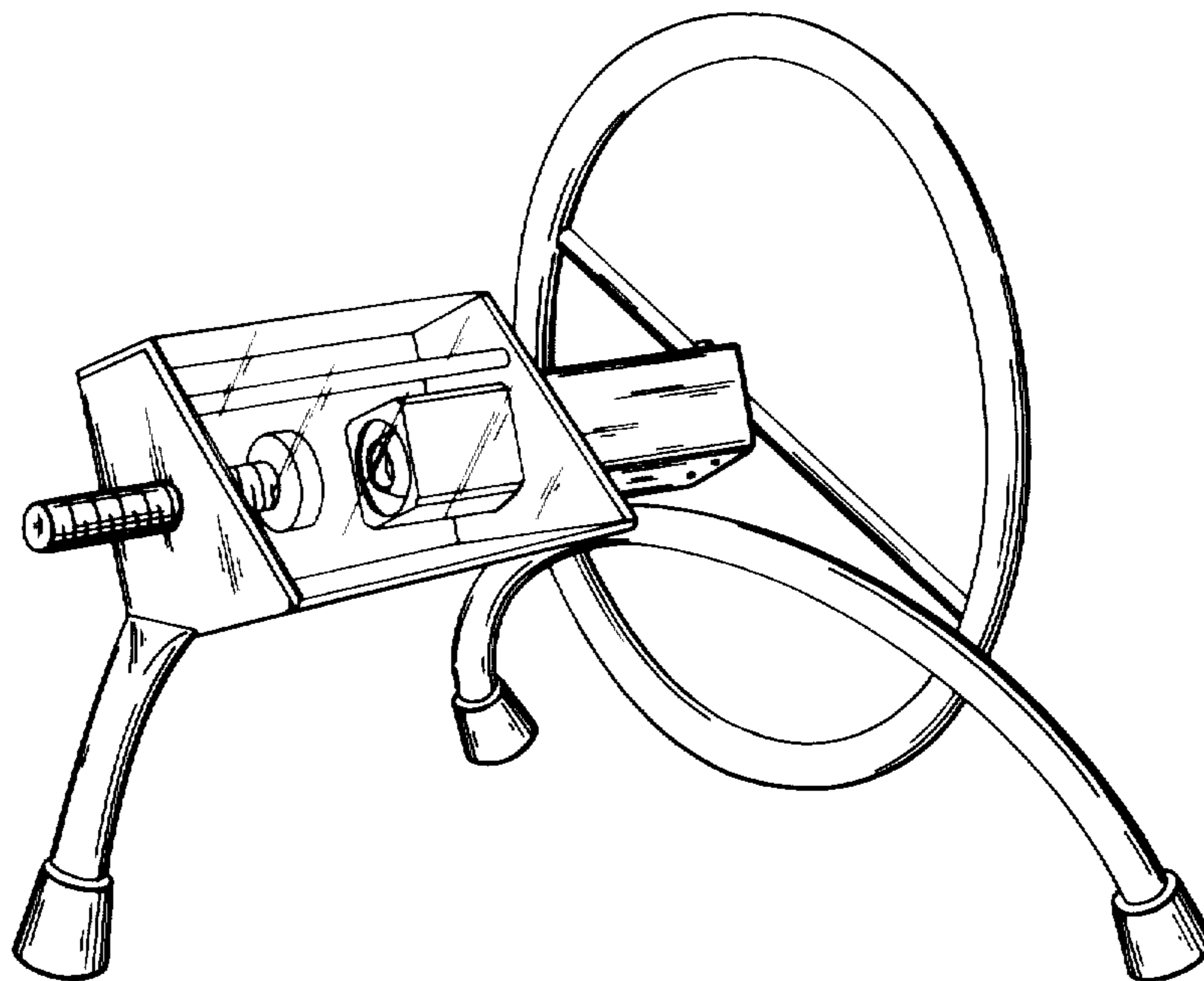
[57] **CLAIM**

The ornamental design for a nutcracker, as shown and described.

DESCRIPTION

FIG. 1 is a perspective view of a nutcracker showing my new design;
 FIG. 2 is a left end elevational view thereof;
 FIG. 3 is a right end elevational view thereof; and
 FIG. 4 is an enlarged broken away view of the cracking head and anvil.

[56] **References Cited**
U.S. PATENT DOCUMENTS
 D. 193,254 7/1962 Klein D7/58



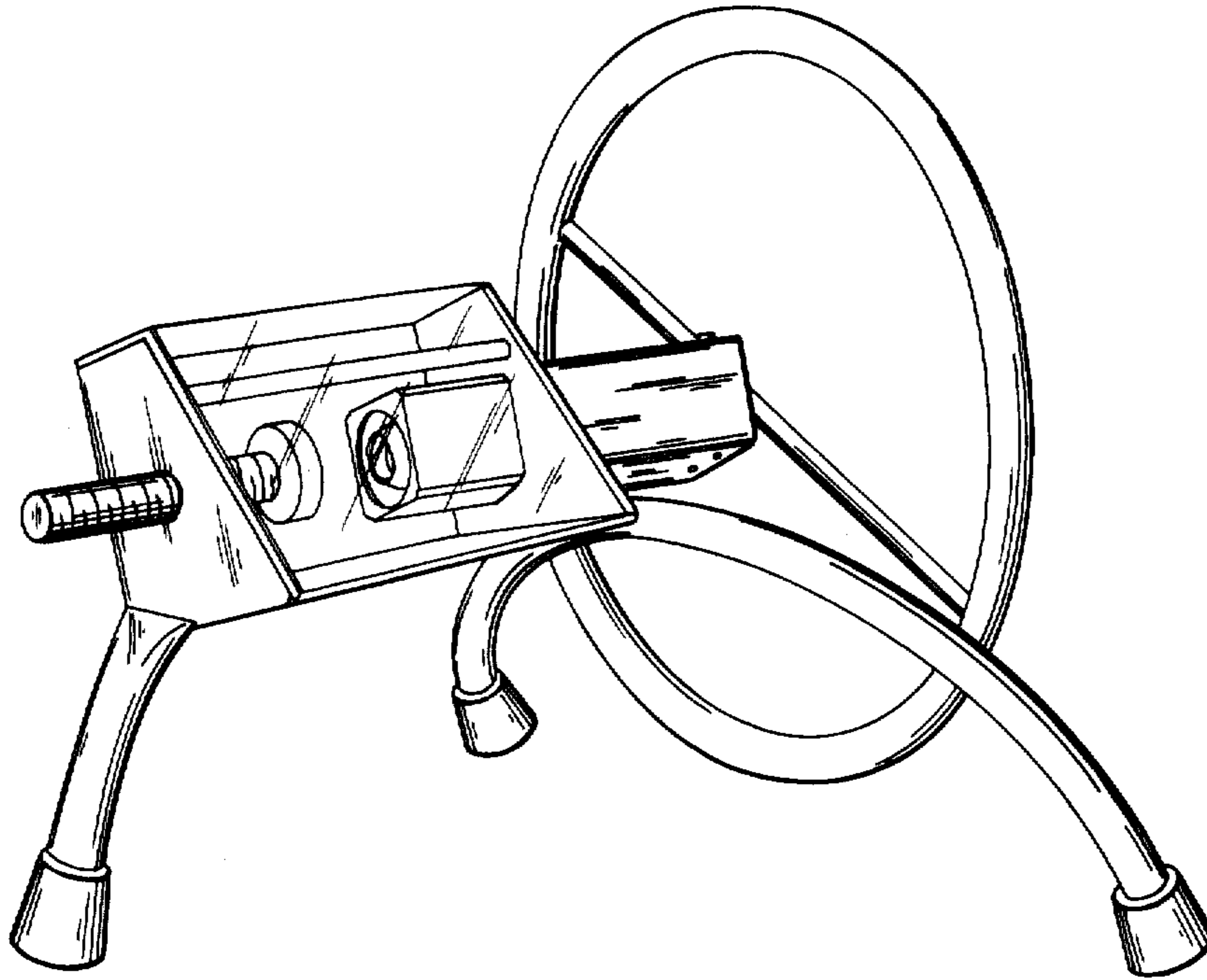


FIG. 1

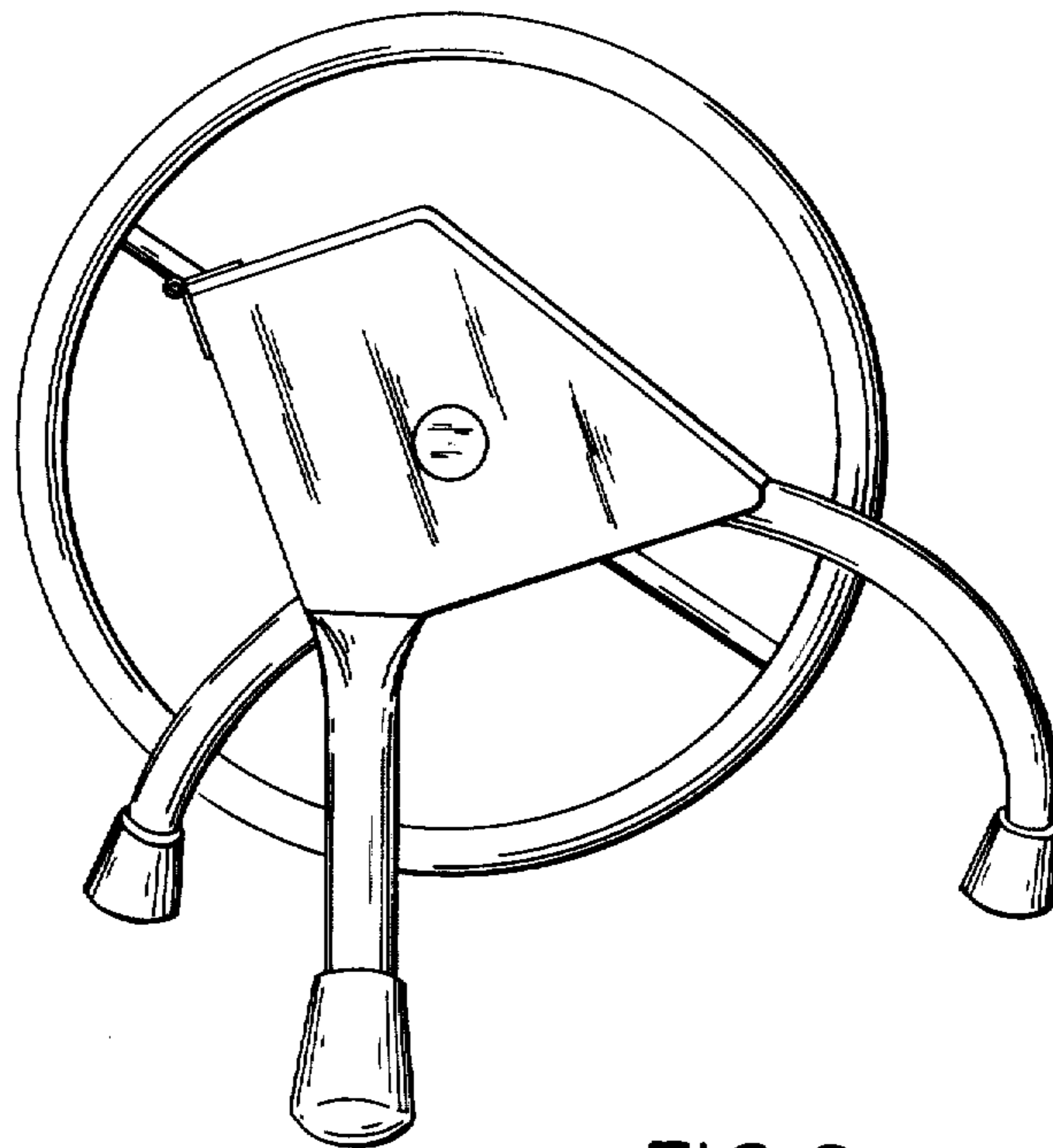


FIG. 2

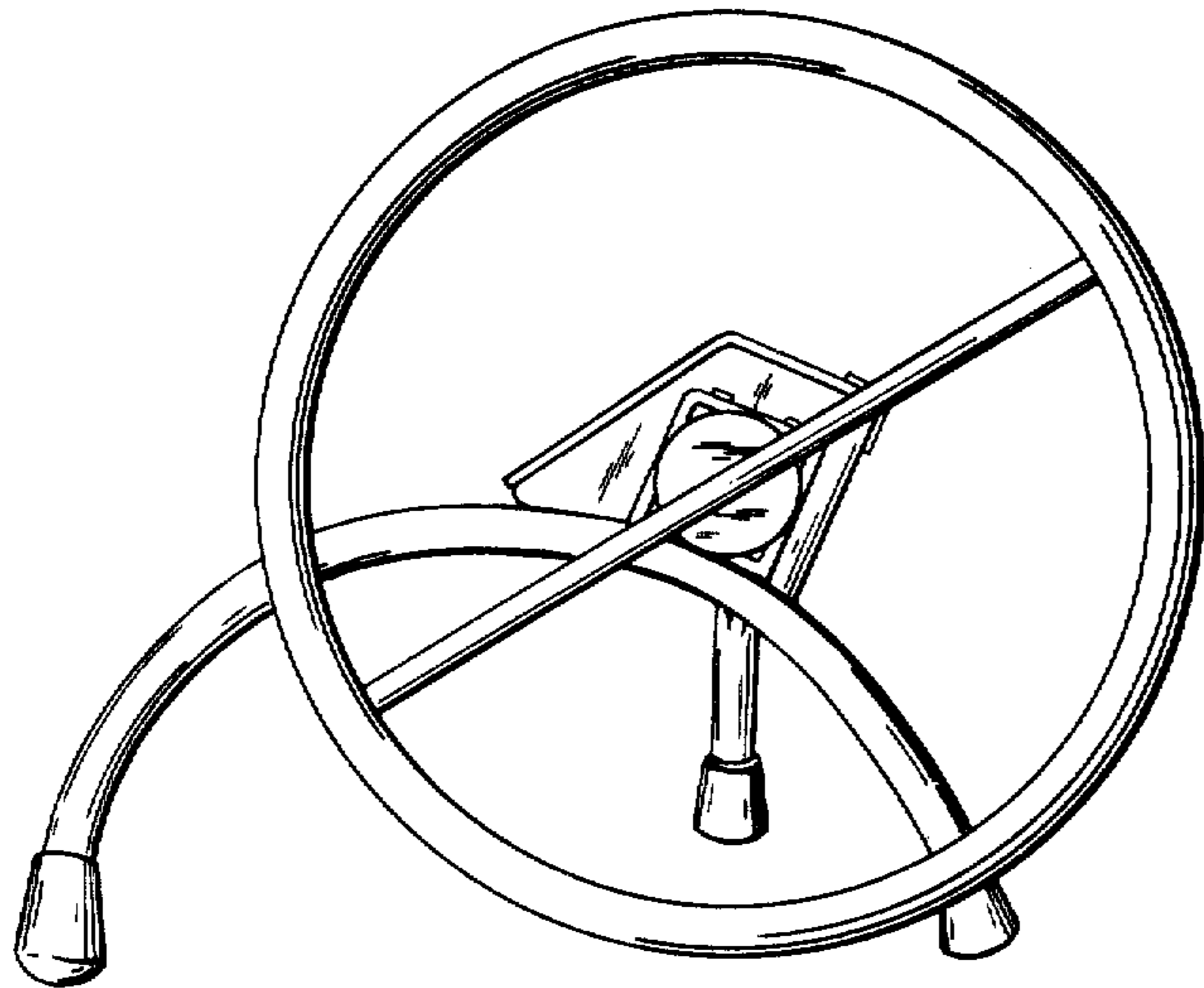


FIG. 3

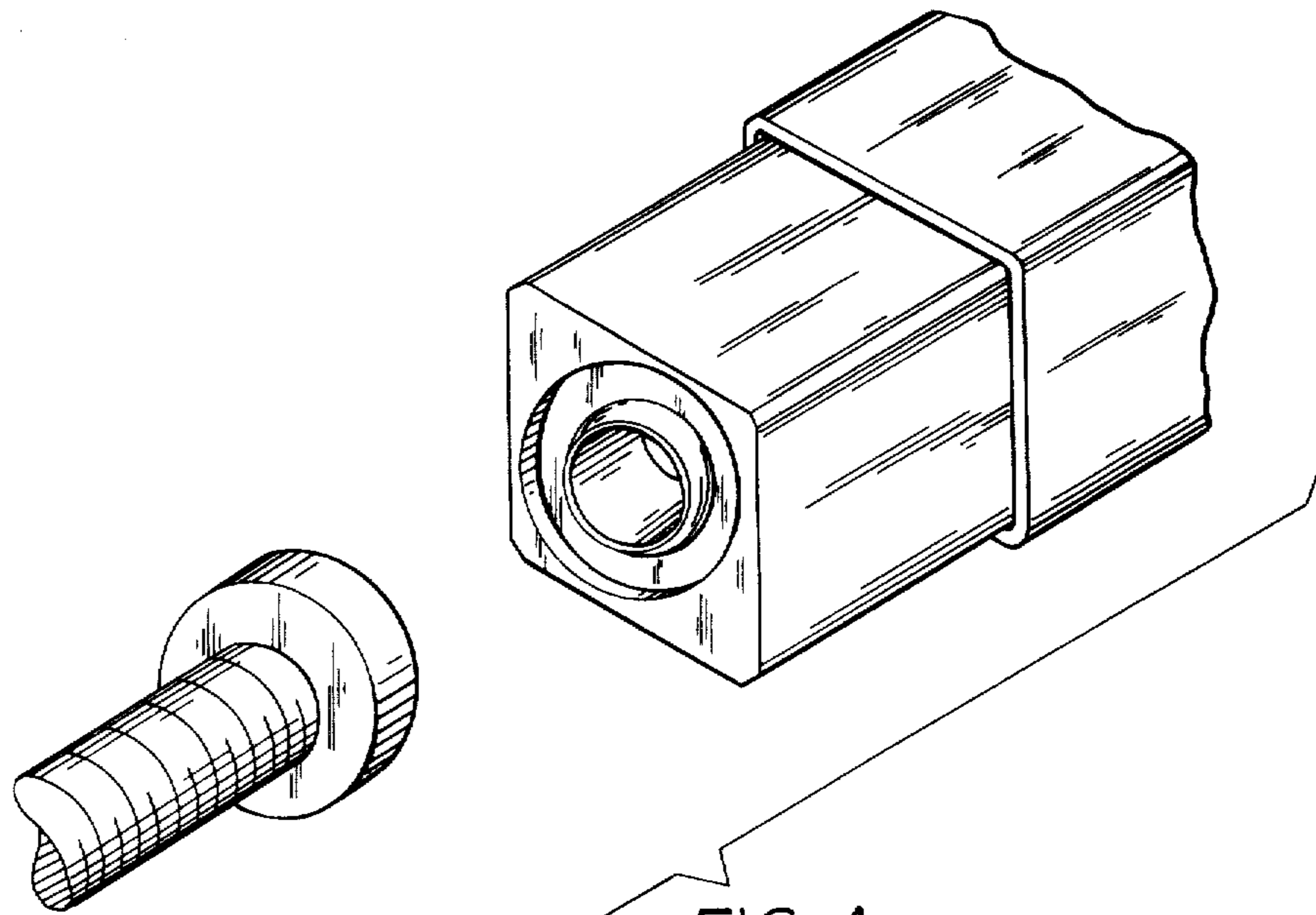


FIG. 4