

[54] PLASTIC MUG

[75] Inventors: Adolf Zabner, Warwick; Norman I. Bellemore, Esmond, both of R.I.

[73] Assignee: Nyman Mfg. Co., East Providence, R.I.

[**] Term: 14 Years

[21] Appl. No.: 125,081

[22] Filed: Feb. 25, 1980

[51] Int. Cl. D7-01

[52] U.S. Cl. D7/9

[58] Field of Search D7/6-15, D7/70; D9/378, 381, 383, 405; 229/1.5 B, 2.5 R, 4.5

[56] References Cited

U.S. PATENT DOCUMENTS

D. 225,076 11/1972 Persson D7/9
D. 252,846 9/1979 Miller D7/10 X
2,299,730 10/1942 Bornstein D7/9 X

OTHER PUBLICATIONS

Stile Industria, No. 30, Jan. 1961, p. 43, cup in lower right.

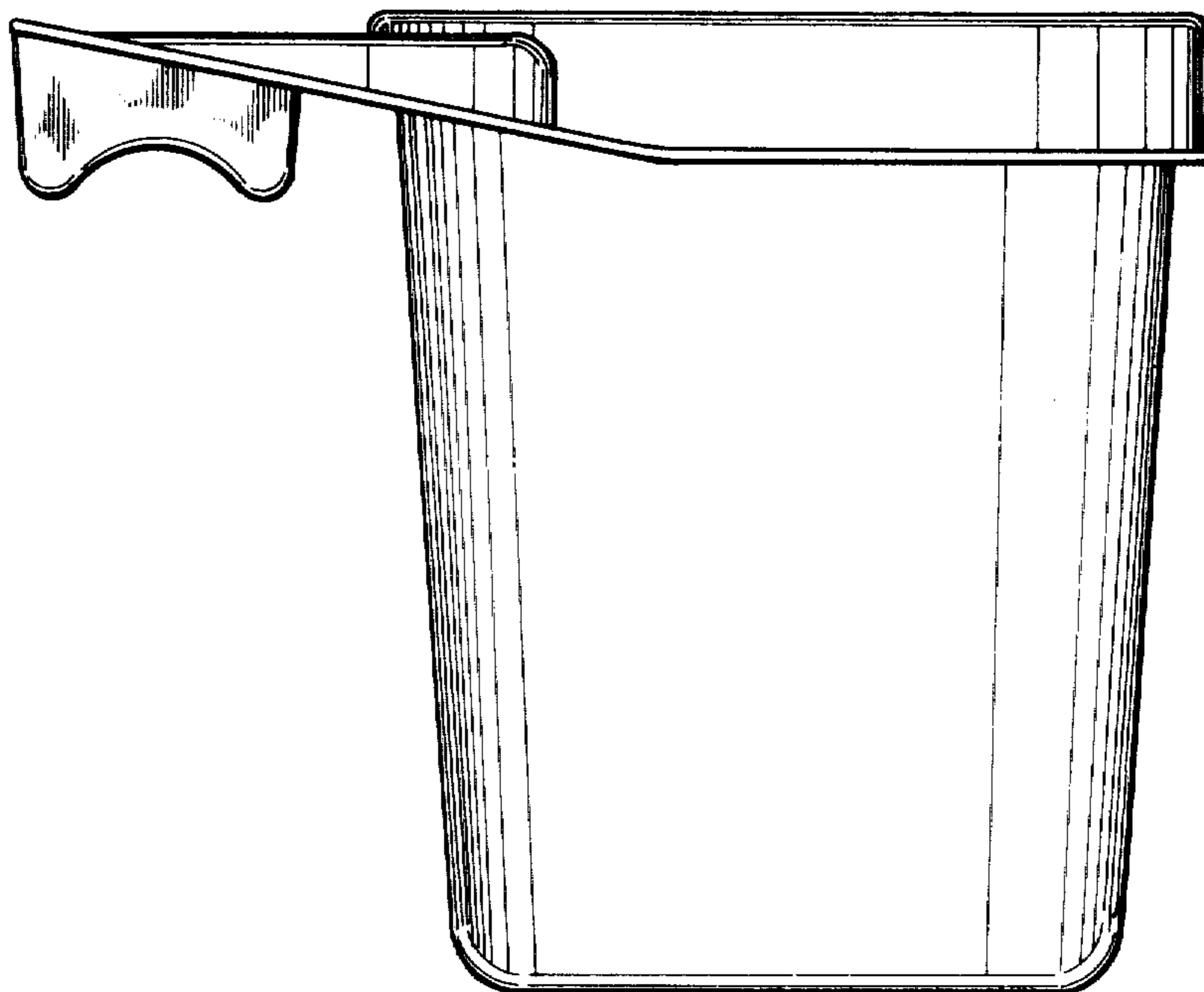
Primary Examiner—Leland A. Sebastian
Attorney, Agent, or Firm—Salter & Michaelson

[57] CLAIM

The ornamental design for a plastic mug, substantially as shown.

DESCRIPTION

FIG. 1 is a side elevational view of a plastic mug showing my new design;
FIG. 2 is a front elevational view thereof;
FIG. 3 is a top plan view thereof;
FIG. 4 is a rear elevational view thereof; and
FIG. 5 is a bottom plan view thereof.



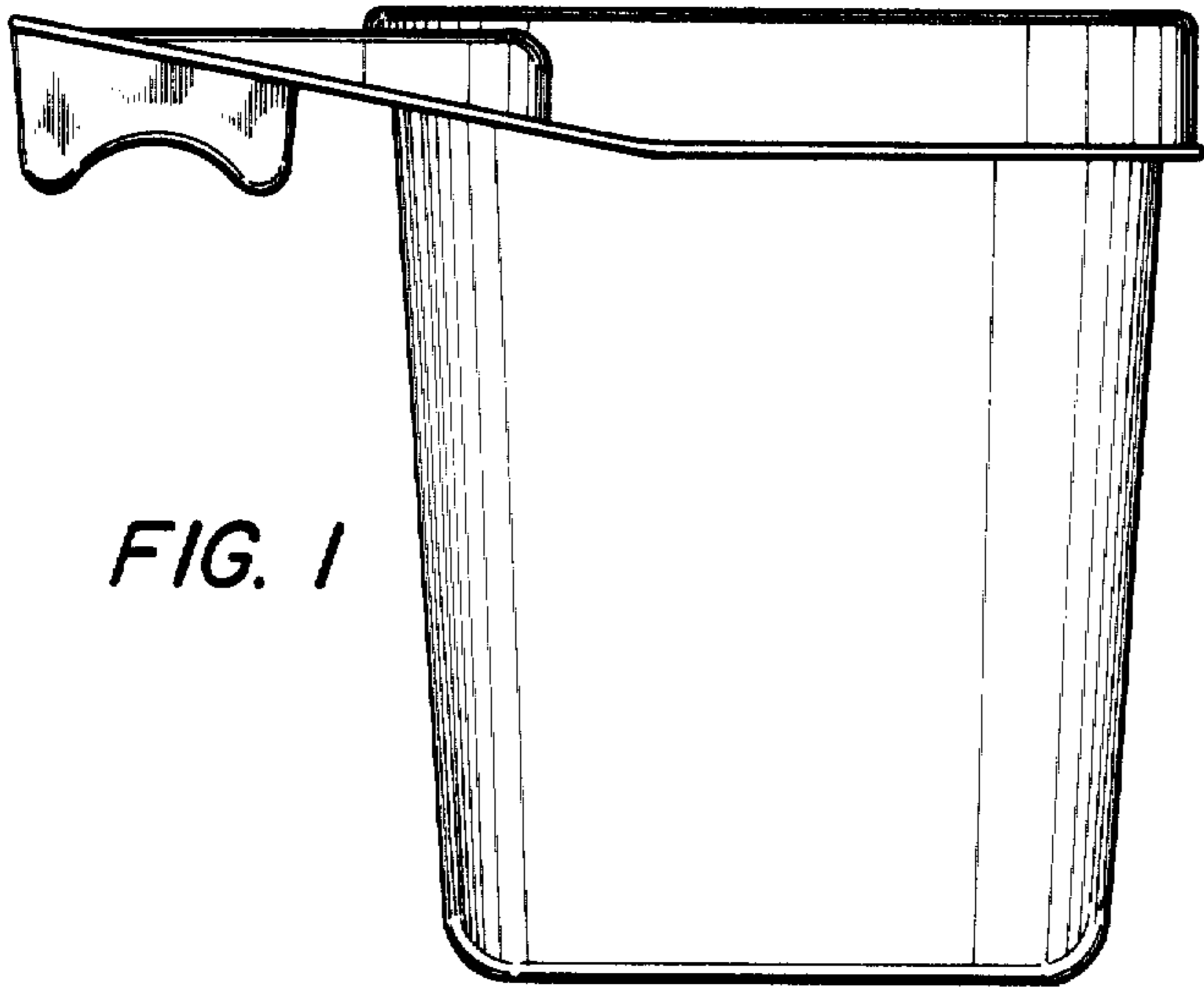


FIG. 1

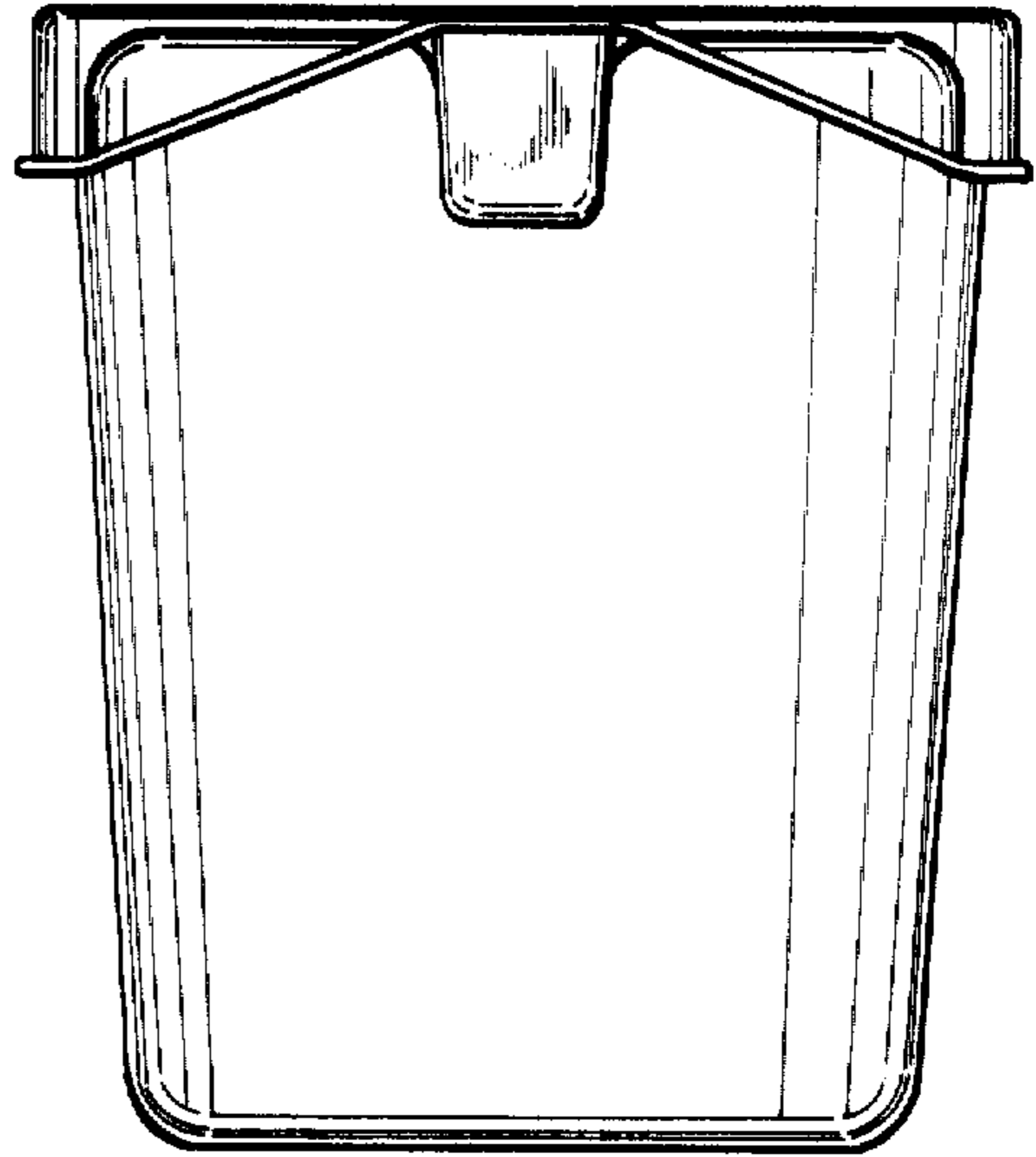


FIG. 2

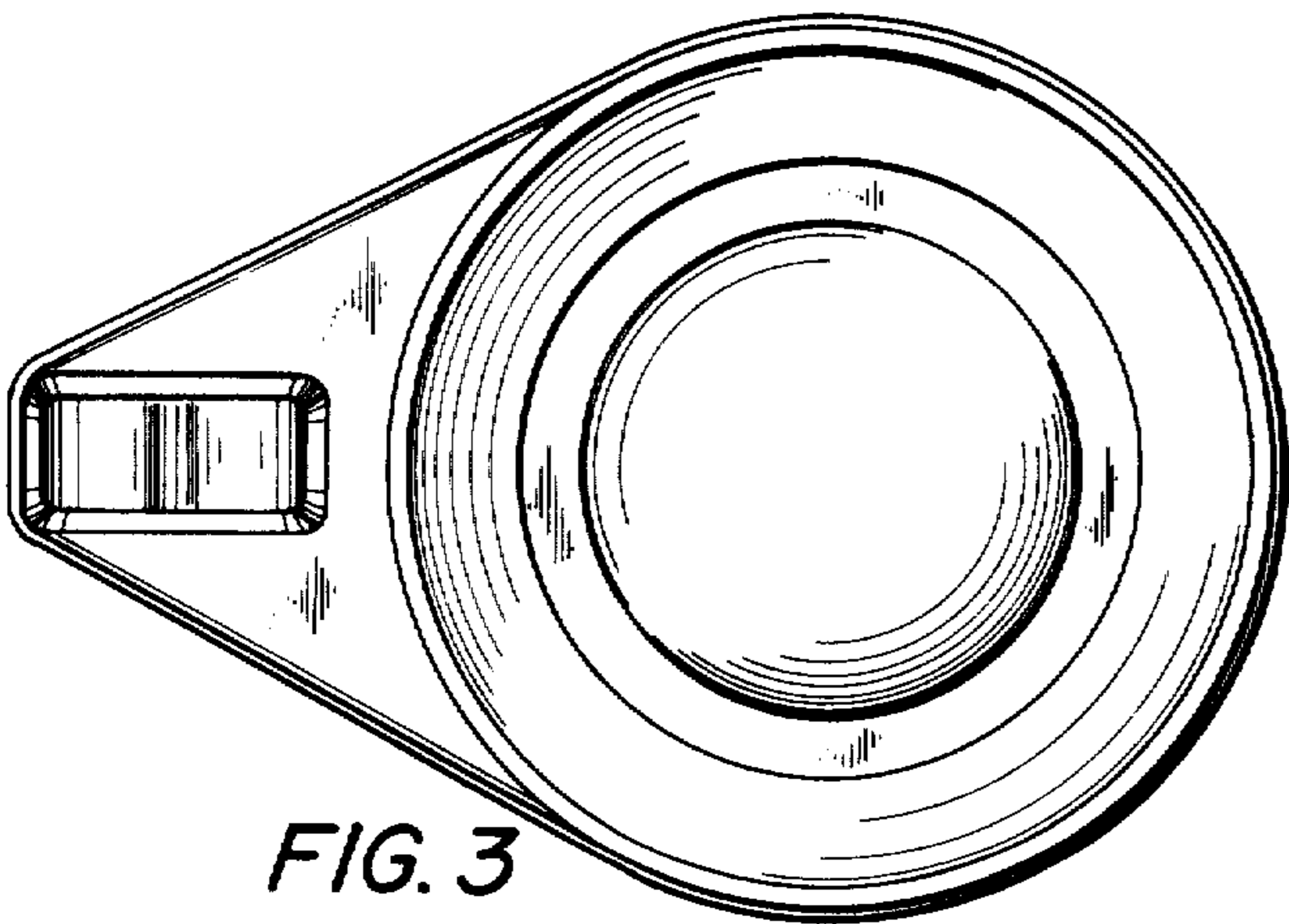


FIG. 3

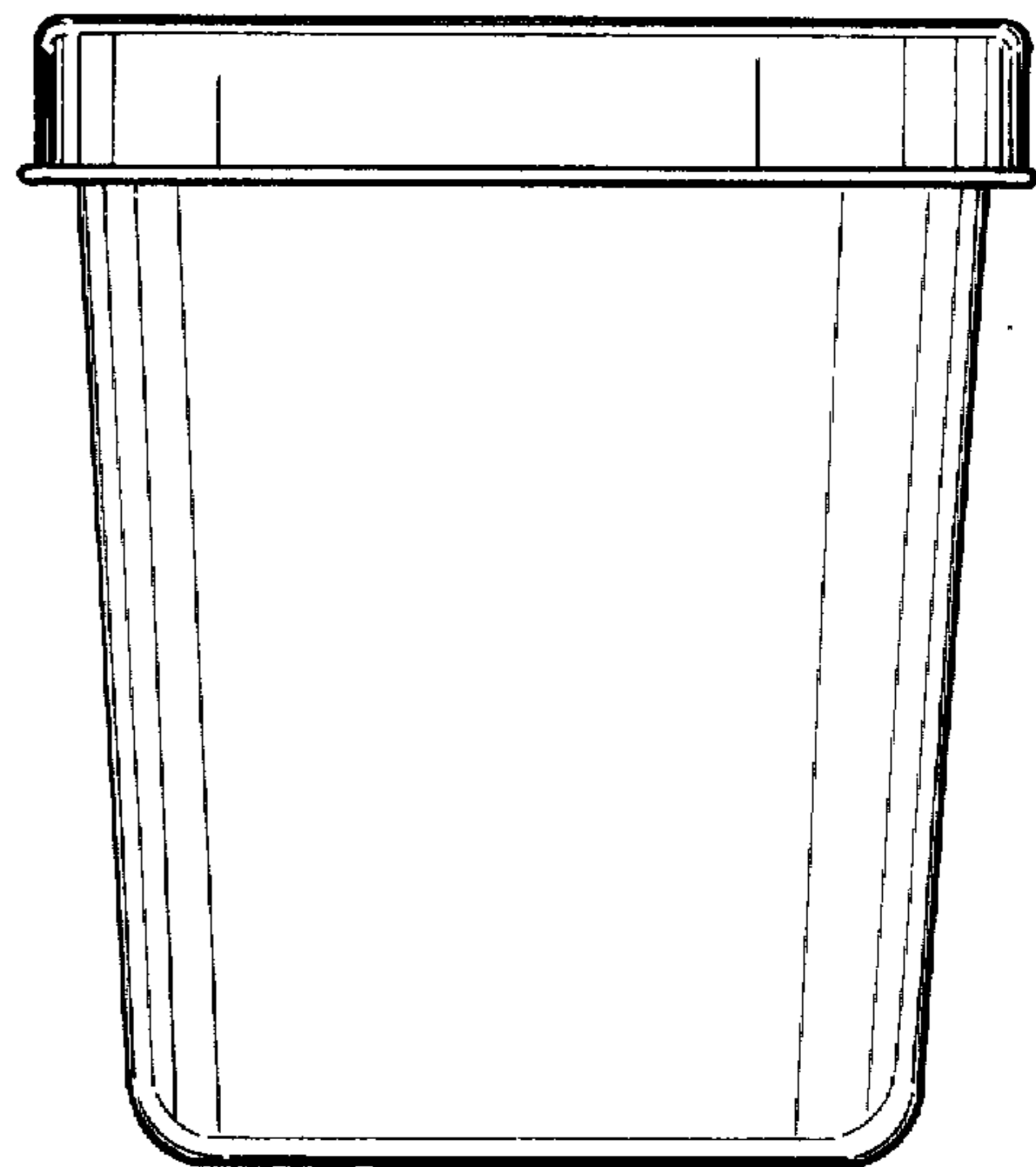


FIG. 4

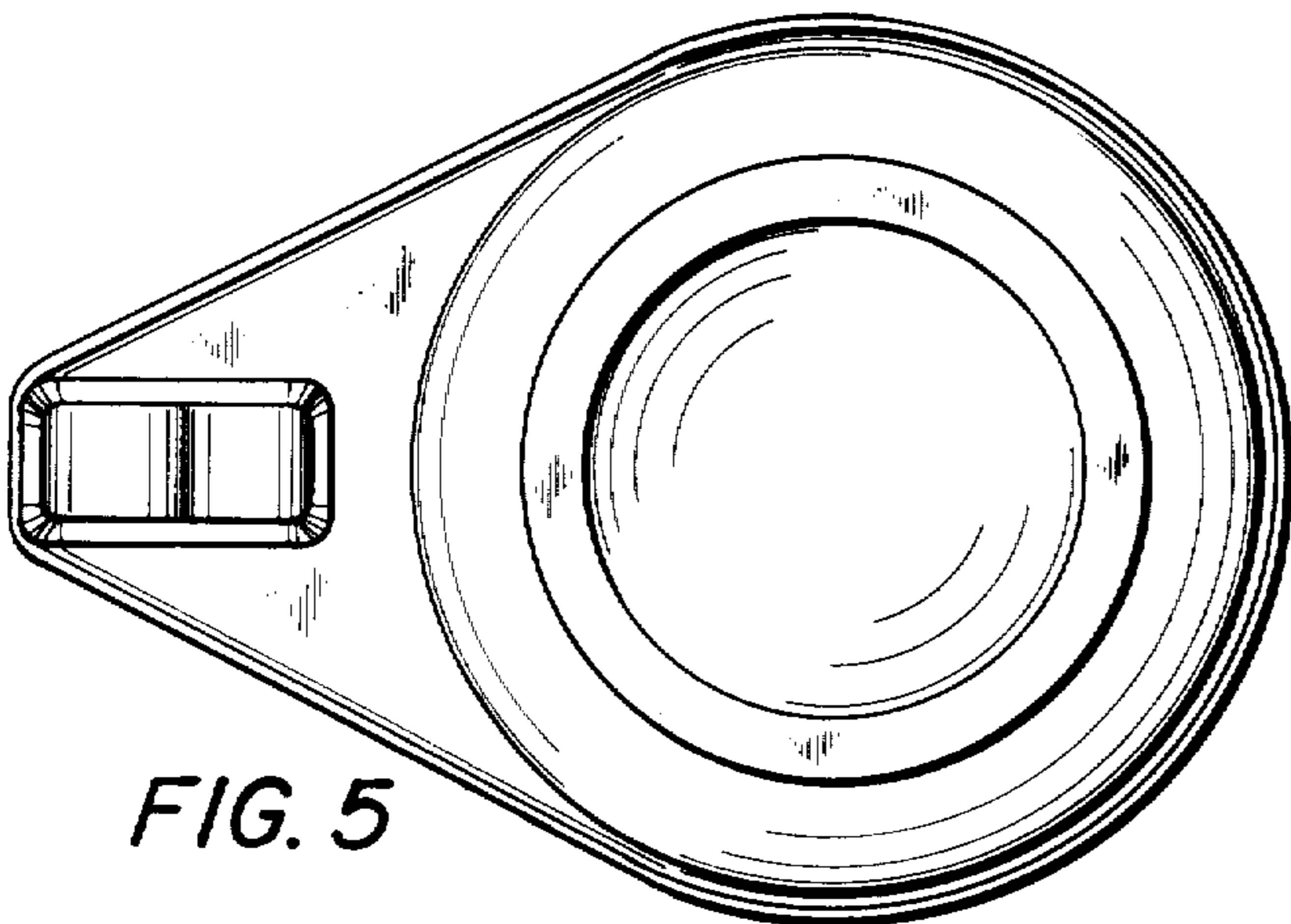


FIG. 5