

[54] HANDBAG

[75] Inventor: Delores M. Hyers, Richmond, Va.

[73] Assignee: De'Lanthe Creations Corporation, Richmond, Va.

[\*\*] Term: 14 Years

[21] Appl. No.: 122,677

[22] Filed: Feb. 19, 1980

[51] Int. Cl. .... D3-01

[52] U.S. Cl. .... D3/49; D3/50; D3/53

[58] Field of Search ..... D3/30, 42, 49-53, D3/54; 150/28 R, 33, 42

[56] References Cited

U.S. PATENT DOCUMENTS

D. 122,138	8/1940	Freidman	.....	D3/53
D. 249,394	9/1978	Schwartz	.....	D3/53
2,110,163	3/1938	Lobel	.....	D3/49

OTHER PUBLICATIONS

Fashion Accessories Mag., 7/77, p. 25, top right.  
Handbags & Accessories, 10/68, p. 47, top right.

Primary Examiner—George P. Word  
Attorney, Agent, or Firm—Auzville Jackson, Jr.

[57] CLAIM

The ornamental design for a handbag, substantially as shown and described.

DESCRIPTION

FIG. 1 is a perspective view of a handbag showing my new design;

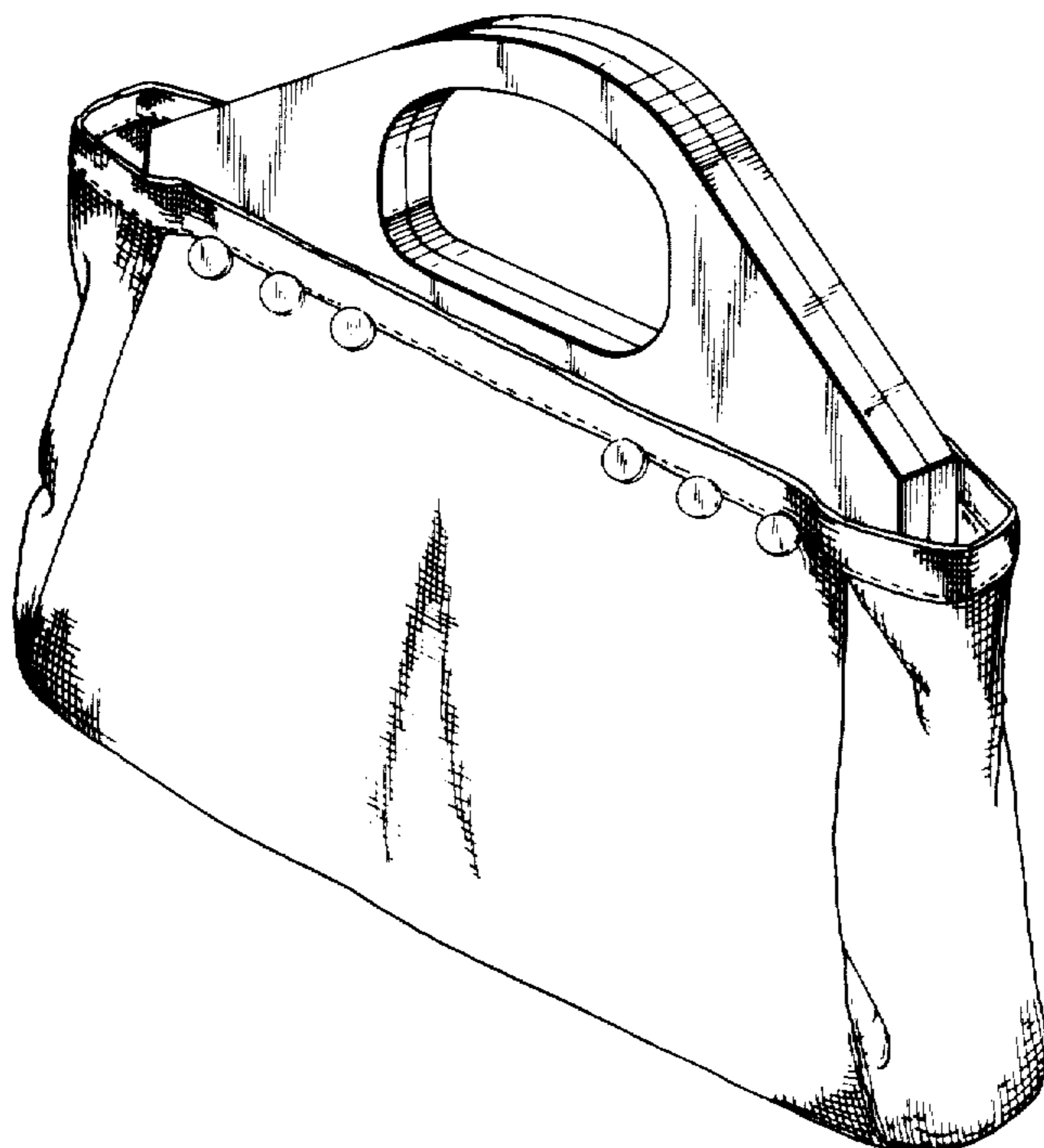
FIG. 2 is an end elevational view thereof;

FIG. 3 is a top plan view thereof;

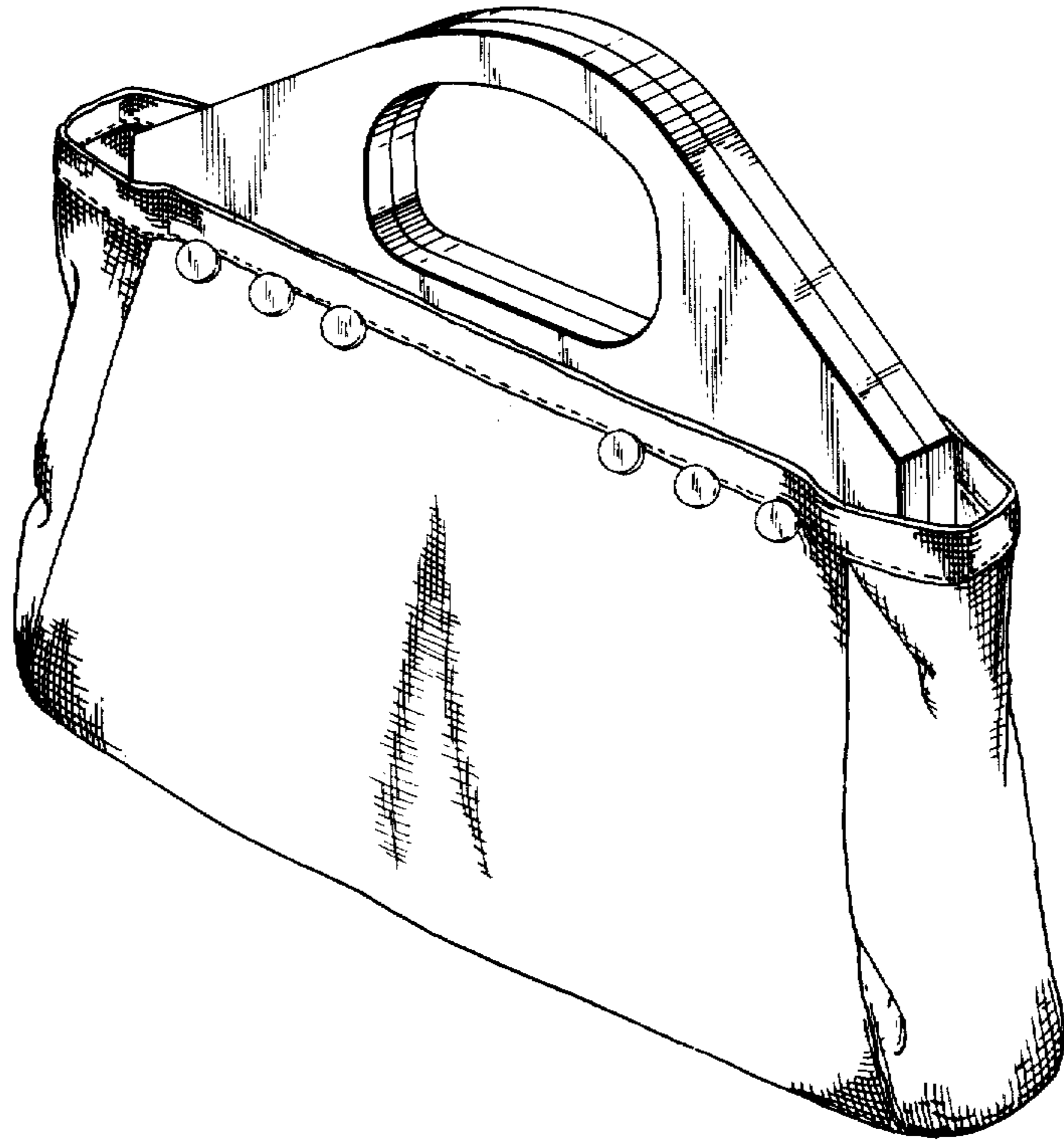
FIG. 4 is a perspective view similar to FIG. 1 with the handbag handles partially open;

FIG. 5 is a top plan view of the handbag similar to FIG. 3 with the handles fully opened;

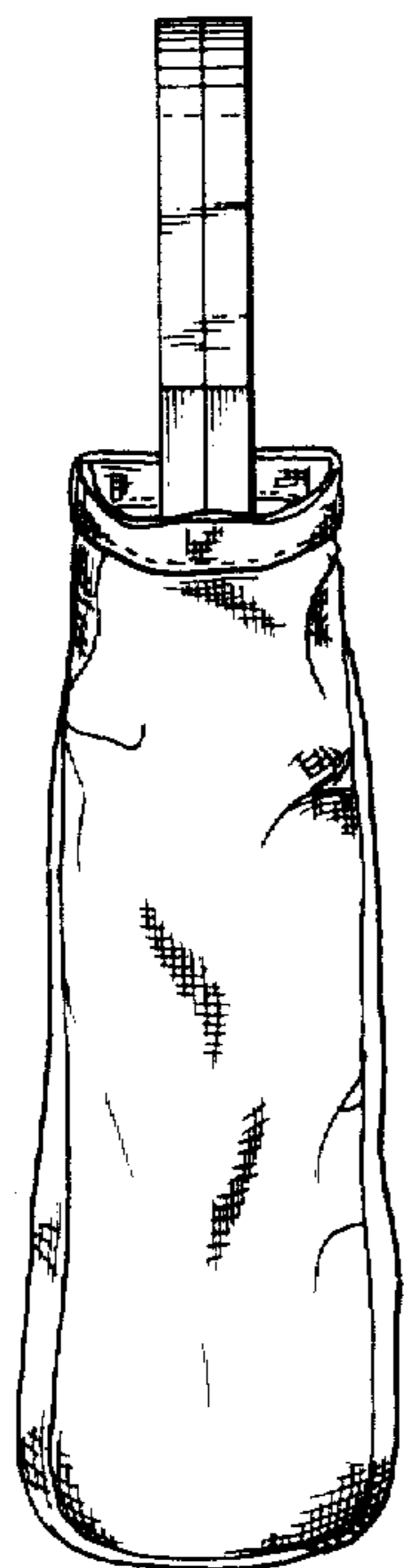
FIG. 6 is a bottom plan view of the handbag with the handles closed.



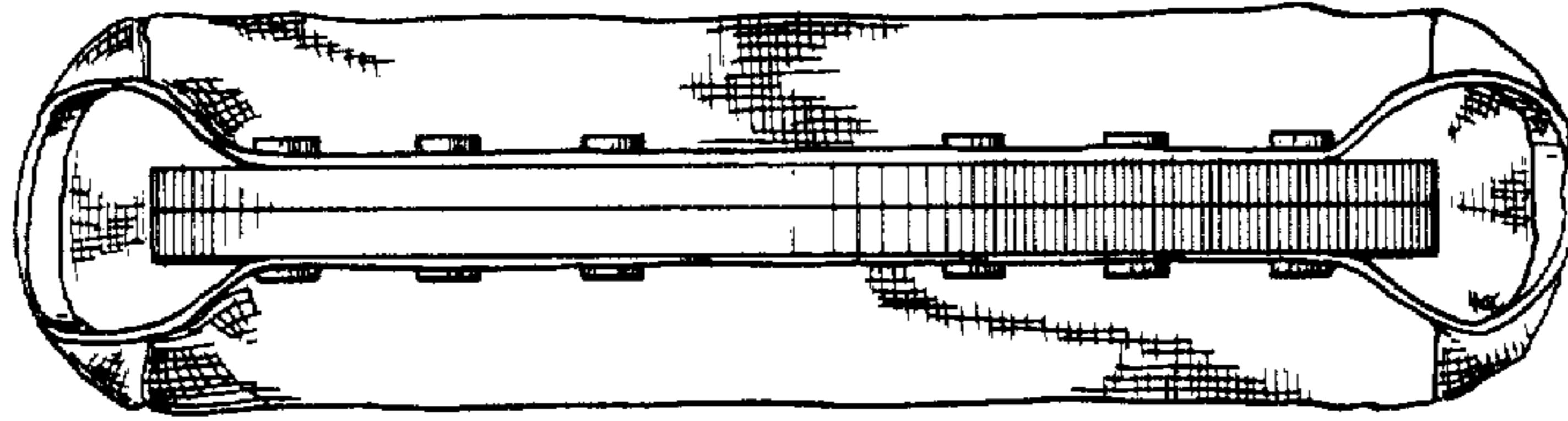
*Fig. 1*



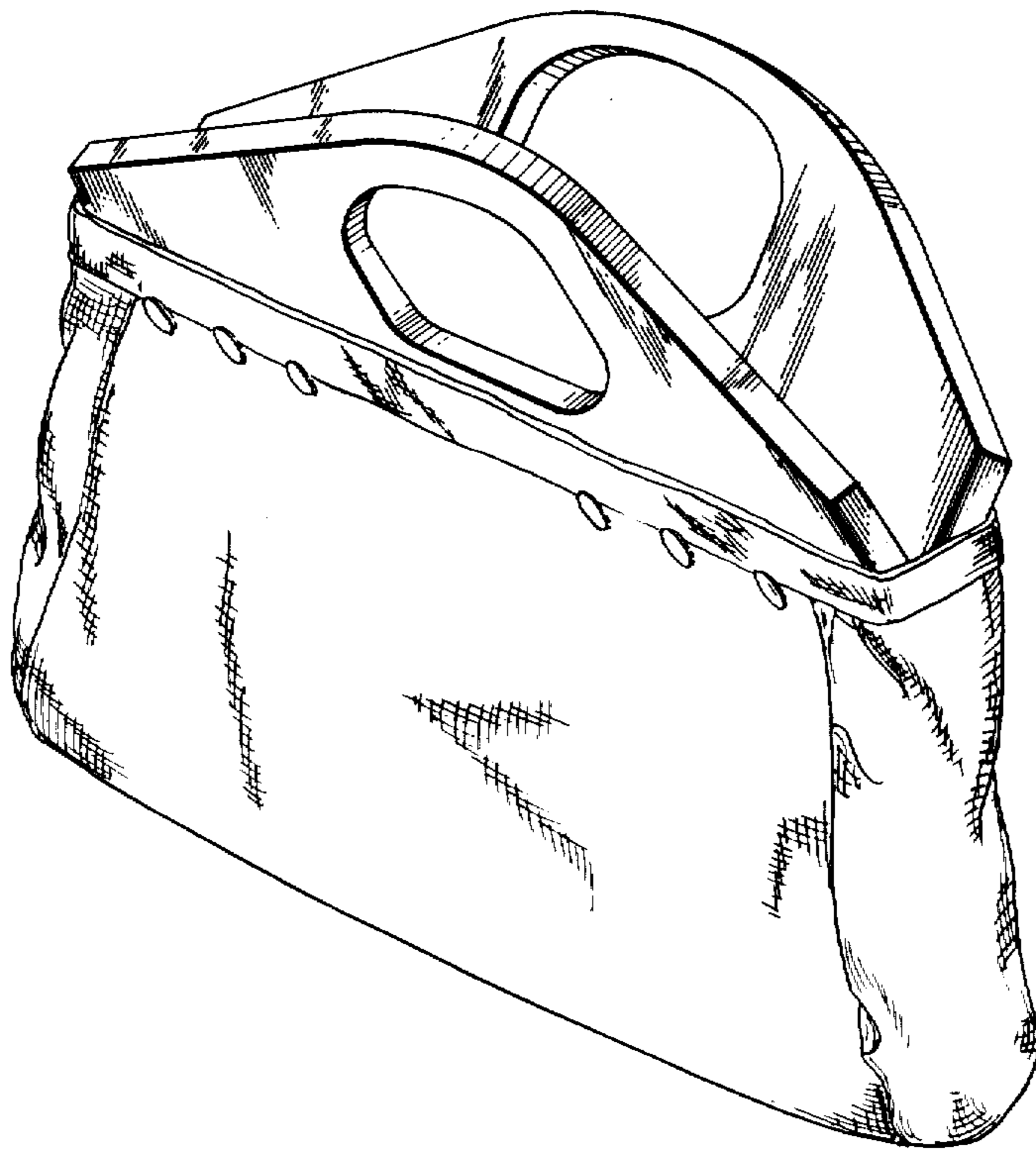
*Fig. 2*



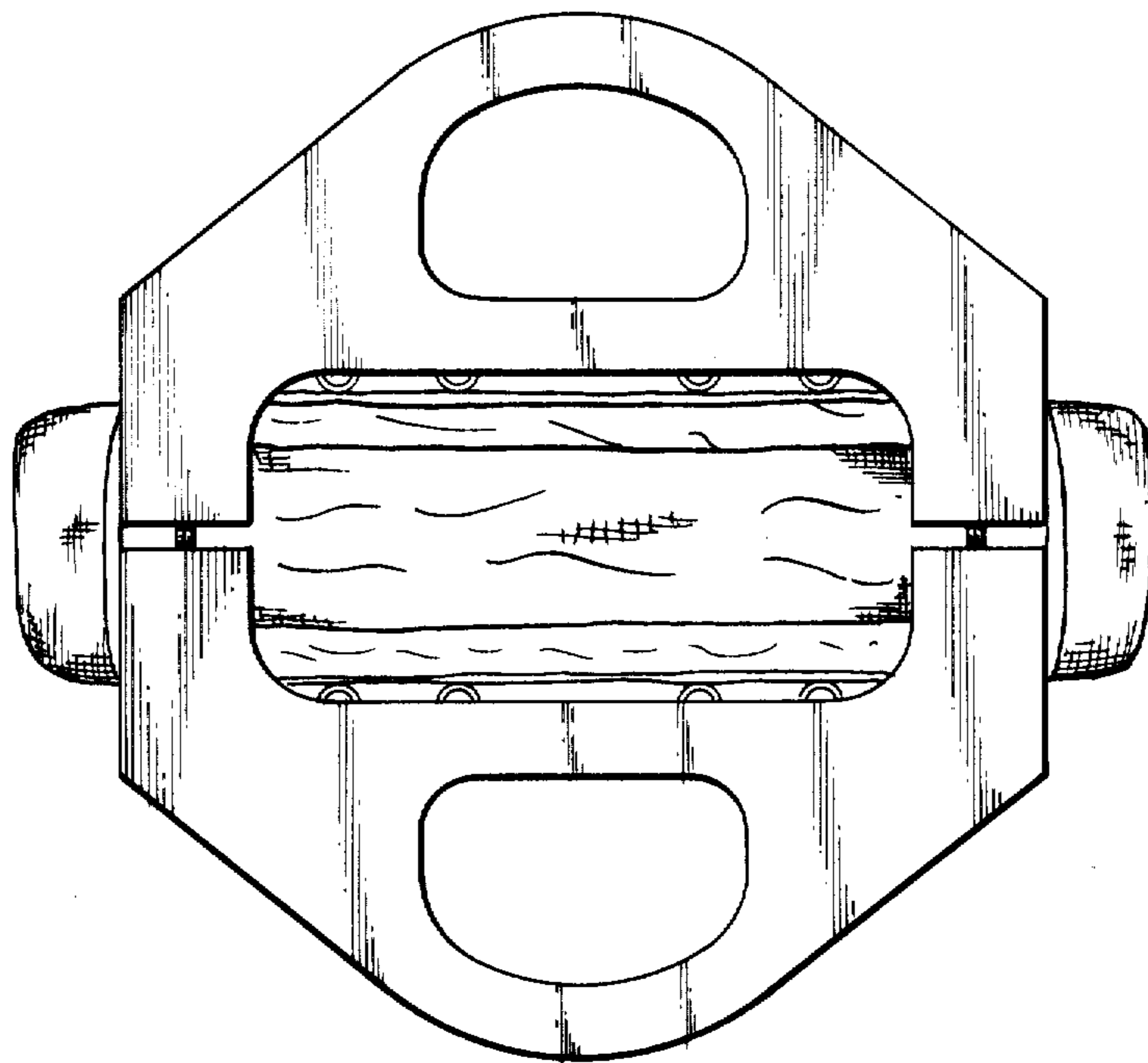
*Fig. 3*



*Fig. 4*



*Fig. 5*



*Fig. 6*

