

[54] COMBINED POWER FAILURE AND FLASH LIGHT WITH BUZZER

[75] Inventors: Thomas H. Nicholl, 1204 W. 27th St., Kansas City, Mo. 64108; Donald L. Rohrs, Overland Park, Kans.; John J. Collins, Kansas City, Mo.

[73] Assignee: Thomas H. Nicholl, Kansas City, Mo.

[\*\*] Term: 14 Years

[21] Appl. No.: 111,945

[22] Filed: Jan. 14, 1980

Related U.S. Application Data

[63] Continuation-in-part of Ser. No. 907,606, May 19, 1978, Pat. No. Des. 254,514.

[51] Int. Cl. .... D26-05; D26-02

[52] U.S. Cl. .... D26/26; D10/116; D26/38; D26/40

[58] Field of Search .... D26/24, 26, 37-50; 362/226, 157, 183, 194, 186, 197, 185, 150; 340/371, 392, 393; D10/116

[56] References Cited

U.S. PATENT DOCUMENTS

D. 191,989	12/1961	Lockwood	.....	D26/41
3,192,378	6/1965	Oldenburger	.....	362/183
3,233,091	2/1966	Hunt	.....	362/183
3,945,004	3/1976	Myers	.....	340/393 X
4,107,766	8/1978	Baker	.....	362/183 X

Primary Examiner—A. Hugo Word  
Attorney, Agent, or Firm—Fishburn, Gold and Litman

[57] CLAIM

The ornamental design for a combined power failure and flash light with buzzer, as shown and described.

DESCRIPTION

FIG. 1 is a perspective view of a combined power failure and flash light with buzzer embodying the design. FIG. 2 is a front elevational view thereof on an enlarged scale.

FIG. 3 is a right side elevational view on an enlarged scale.

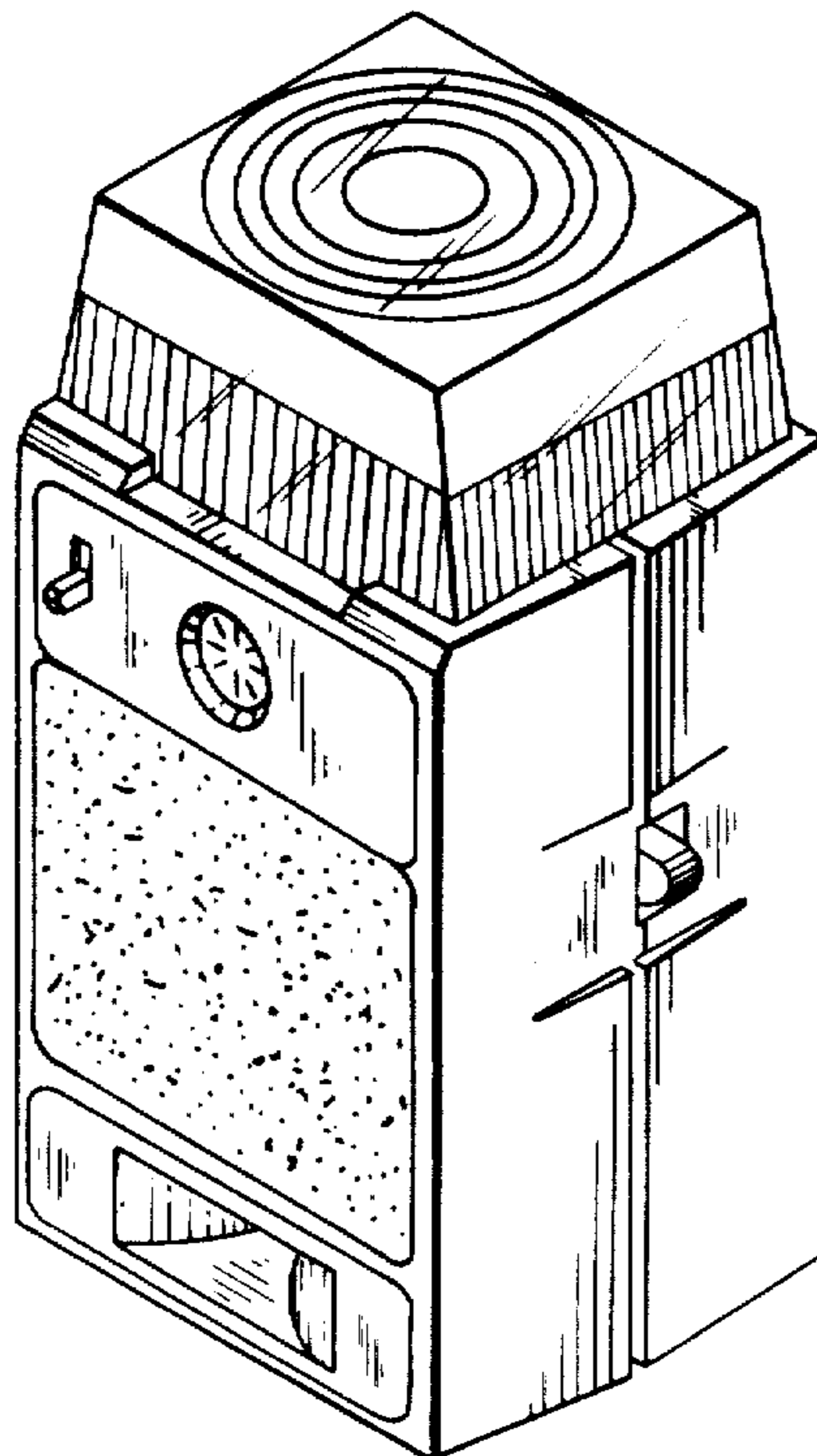
FIG. 4 is a rear elevational view thereof on an enlarged scale.

FIG. 5 is a left side elevational view thereof on an enlarged scale.

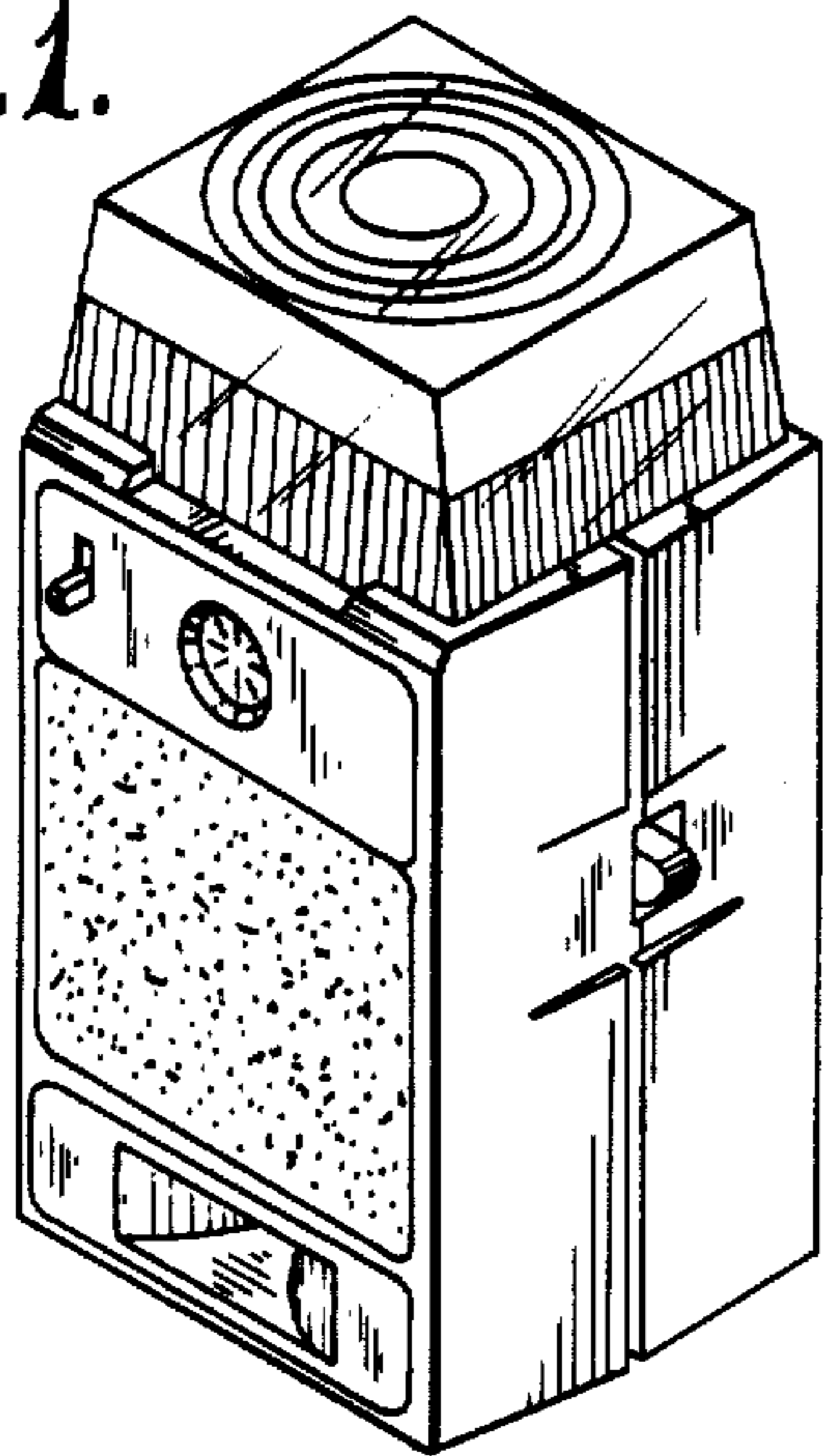
FIG. 6 is a top plan view thereof on an enlarged scale.

FIG. 7 is a partial sectional view through the lens taken on the line 7-7, FIG. 2.

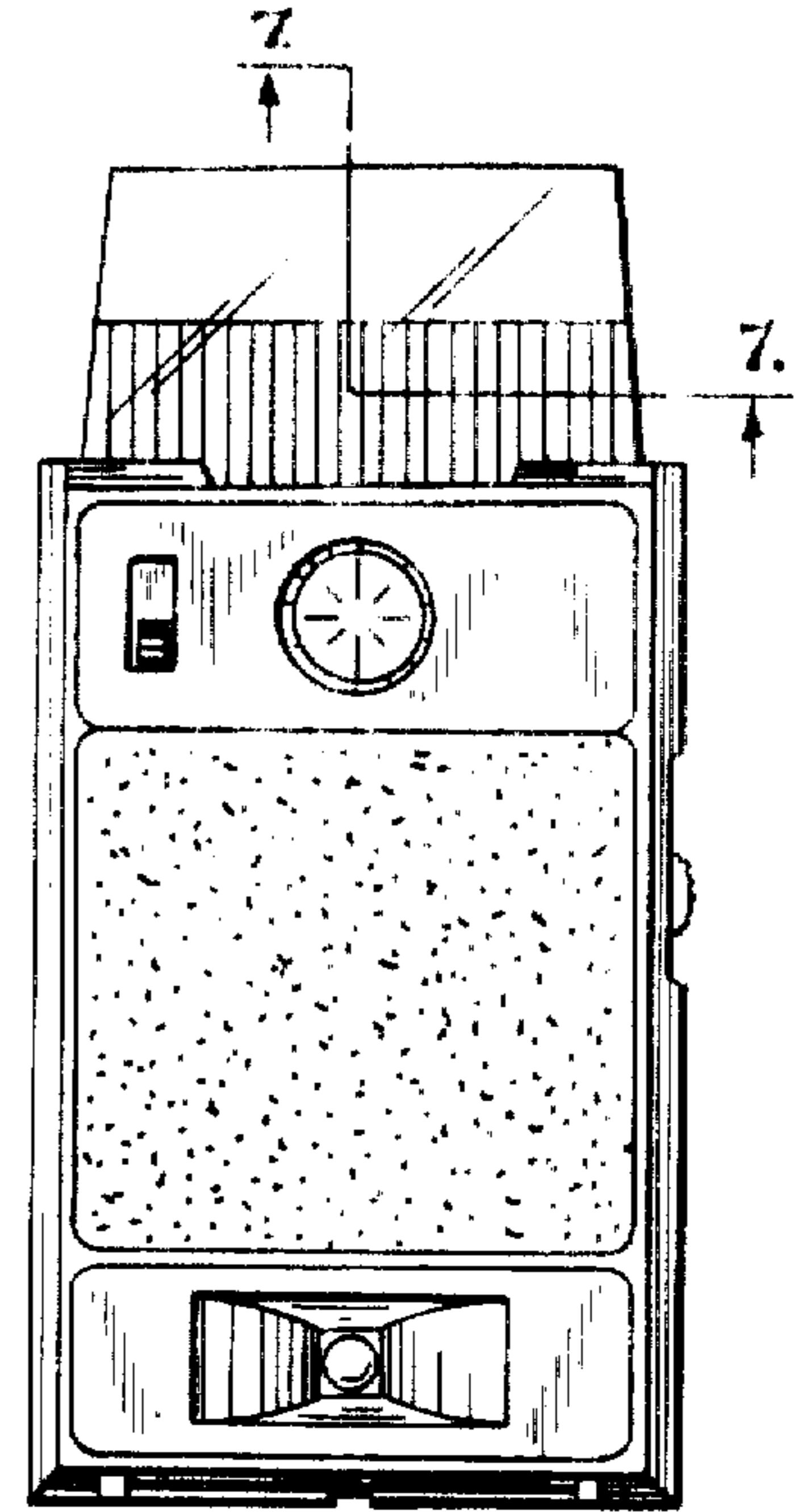
FIG. 8 is a partial sectional view through the lens taken on the line 8-8, FIG. 6.



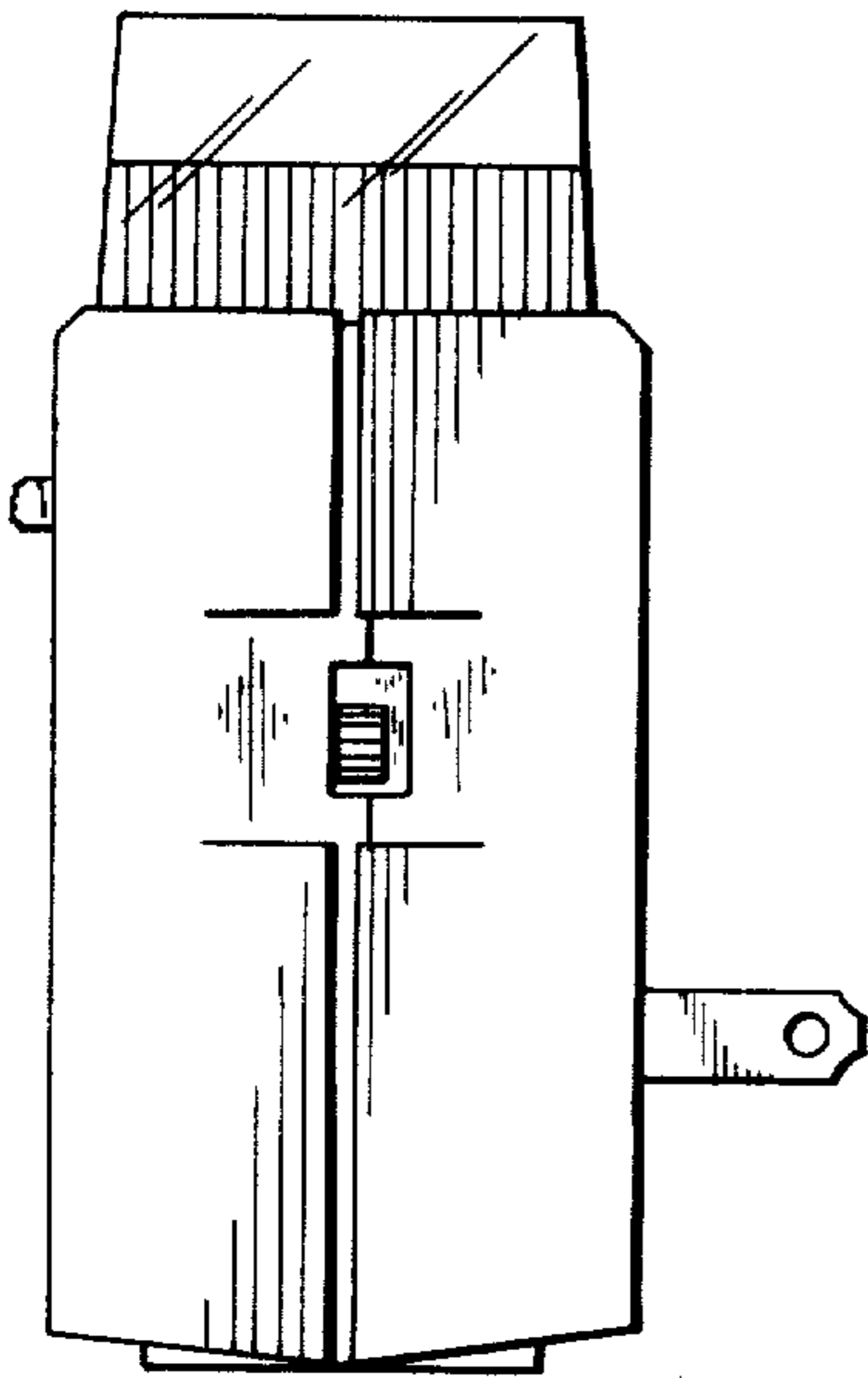
*Fig. 1.*



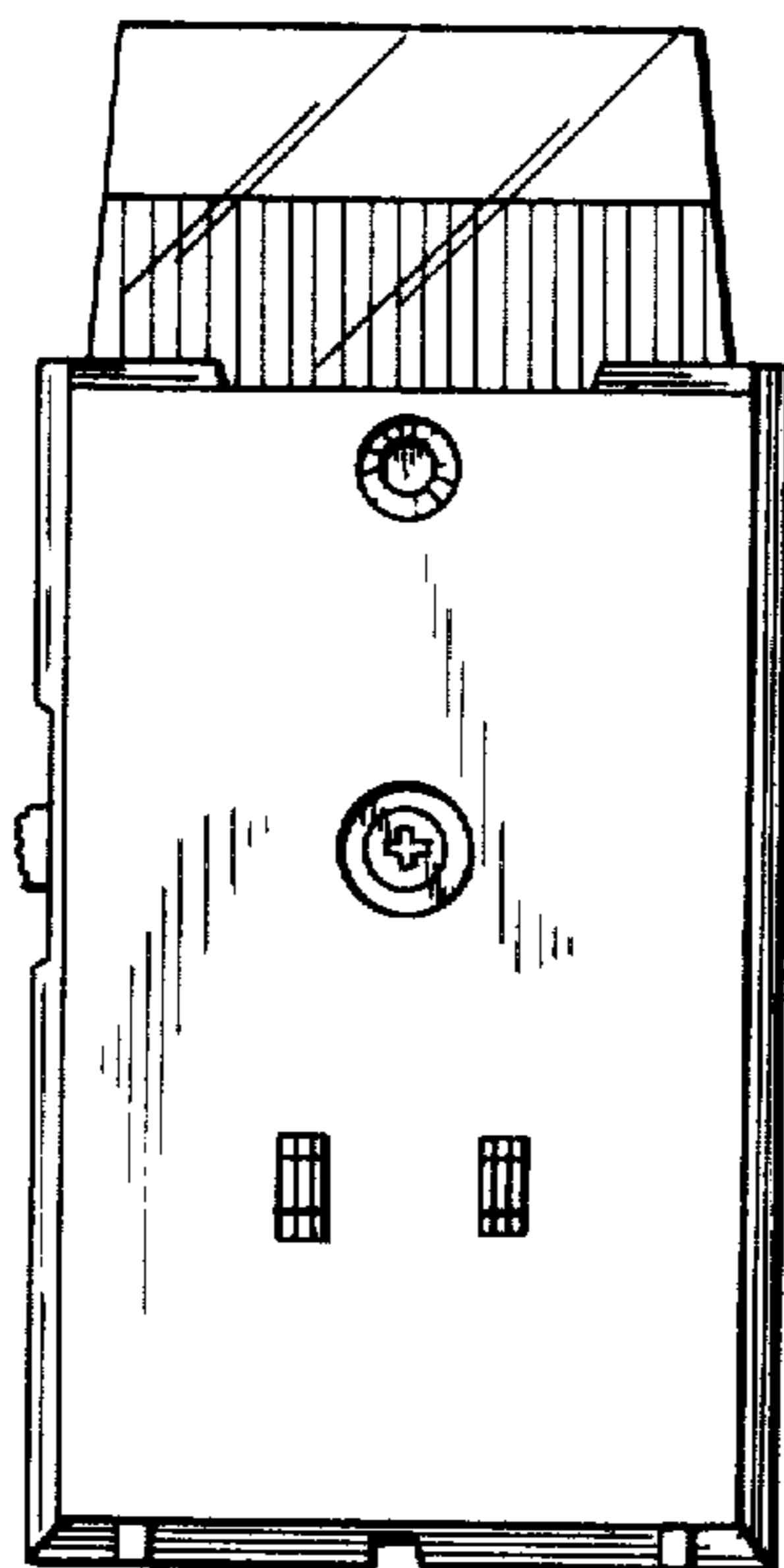
*Fig. 2.*



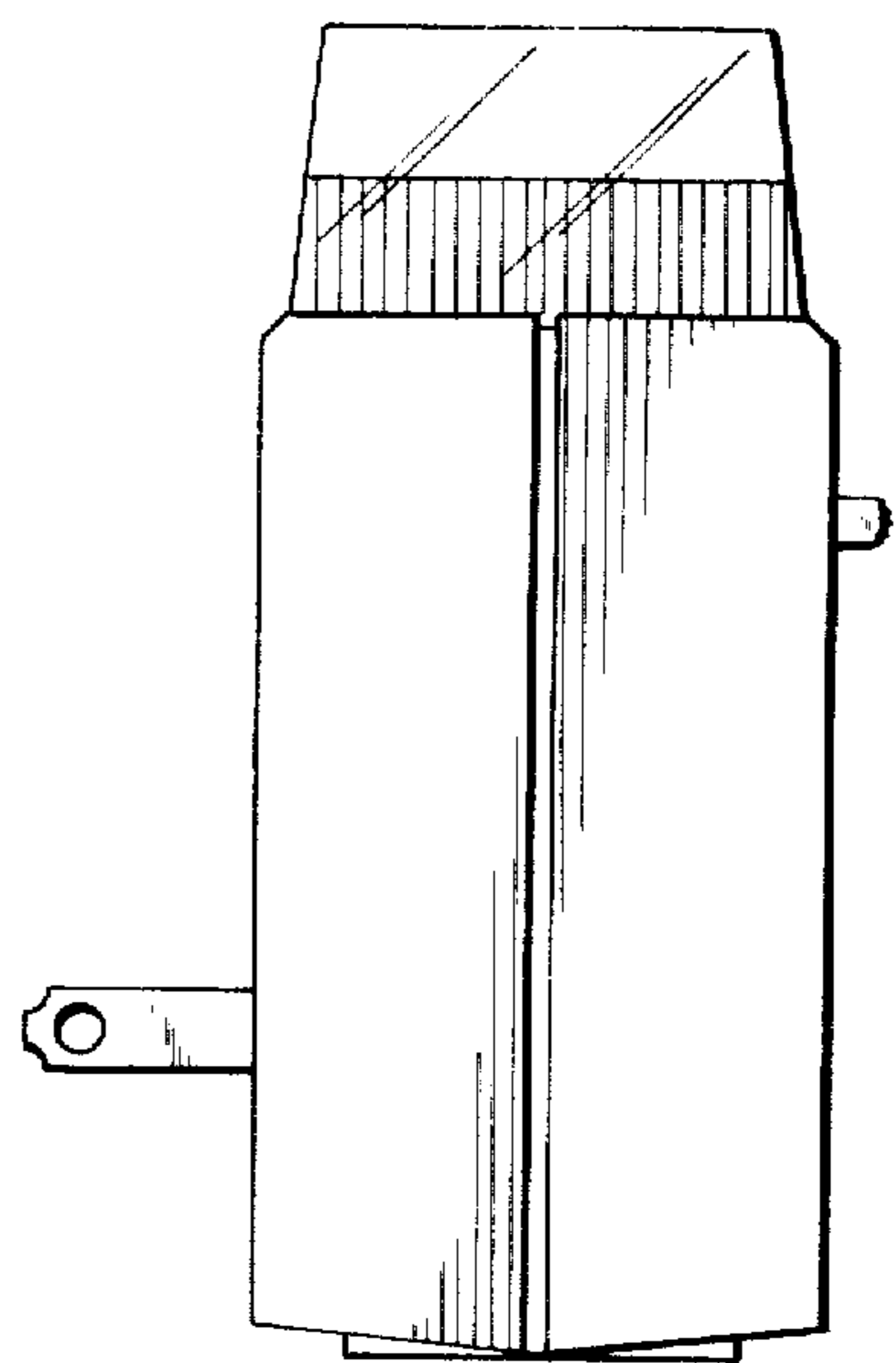
*Fig. 3.*



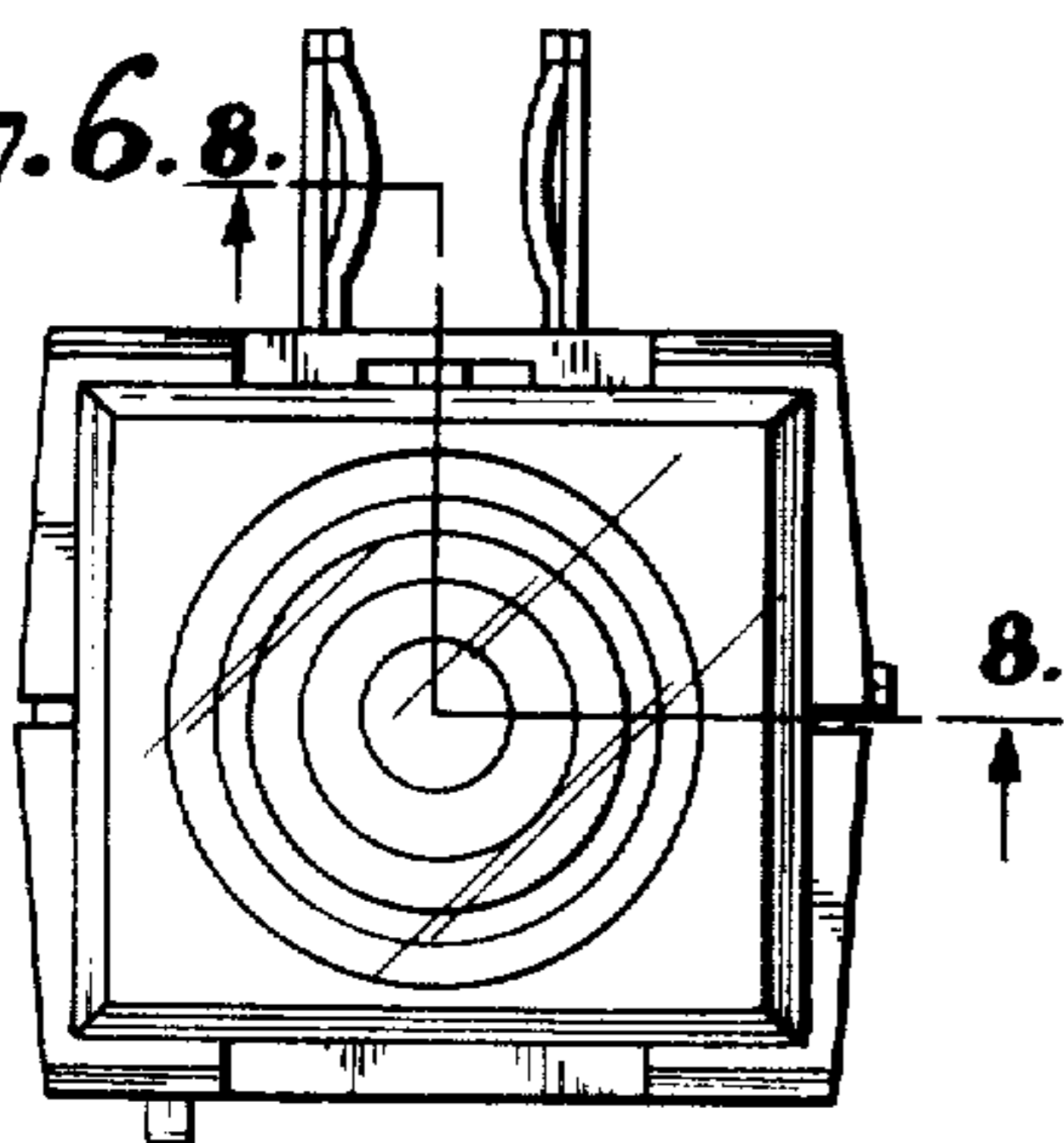
*Fig. 4.*



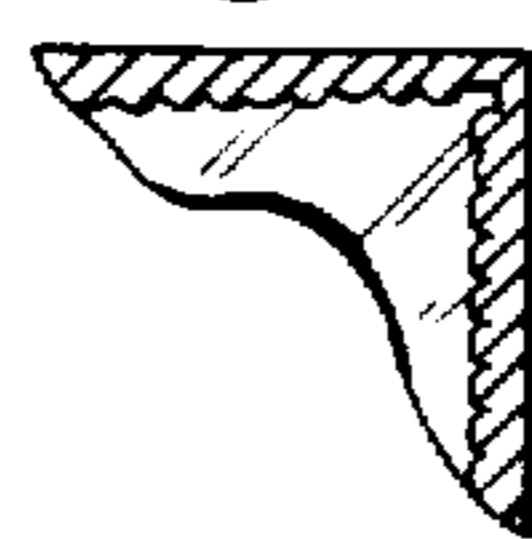
*Fig. 5.*



*Fig. 6. 8.*



*Fig. 7.*



*Fig. 8.*

