

[54] SAGITTAL SAW

[75] Inventor: Meyric K. Rogers, Lancaster, Pa.

[73] Assignee: Black & Decker Inc., Newark, Del.

[\*\*] Term: 14 Years

[21] Appl. No.: 86,362

[22] Filed: Oct. 17, 1979

[51] Int. Cl. .... D24-02

[52] U.S. Cl. .... D24/28; D24/8;  
D8/64; D8/68

[58] Field of Search ..... D8/61, 68, 64, 66;  
D24/28, 8; 30/276, 124, 317, 166, 133, 392;  
310/50; 320/2; 173/163

[56] References Cited

U.S. PATENT DOCUMENTS

- D. 198,423 6/1964 Cummins ..... D24/28
- D. 239,331 3/1976 Treace ..... D24/8
- D. 243,652 3/1977 Zurwelle ..... D8/68

3,044,171 7/1962 Cecere ..... 30/166

Primary Examiner—Bernard Ansher  
Attorney, Agent, or Firm—Harold Weinstein; Edward  
D. Murphy; Walter Ottesen

[57] CLAIM

The ornamental design for a sagittal saw, as shown.

DESCRIPTION

FIG. 1 is a side elevational view of a sagittal saw with the front thereof facing rightwardly; showing my new design;

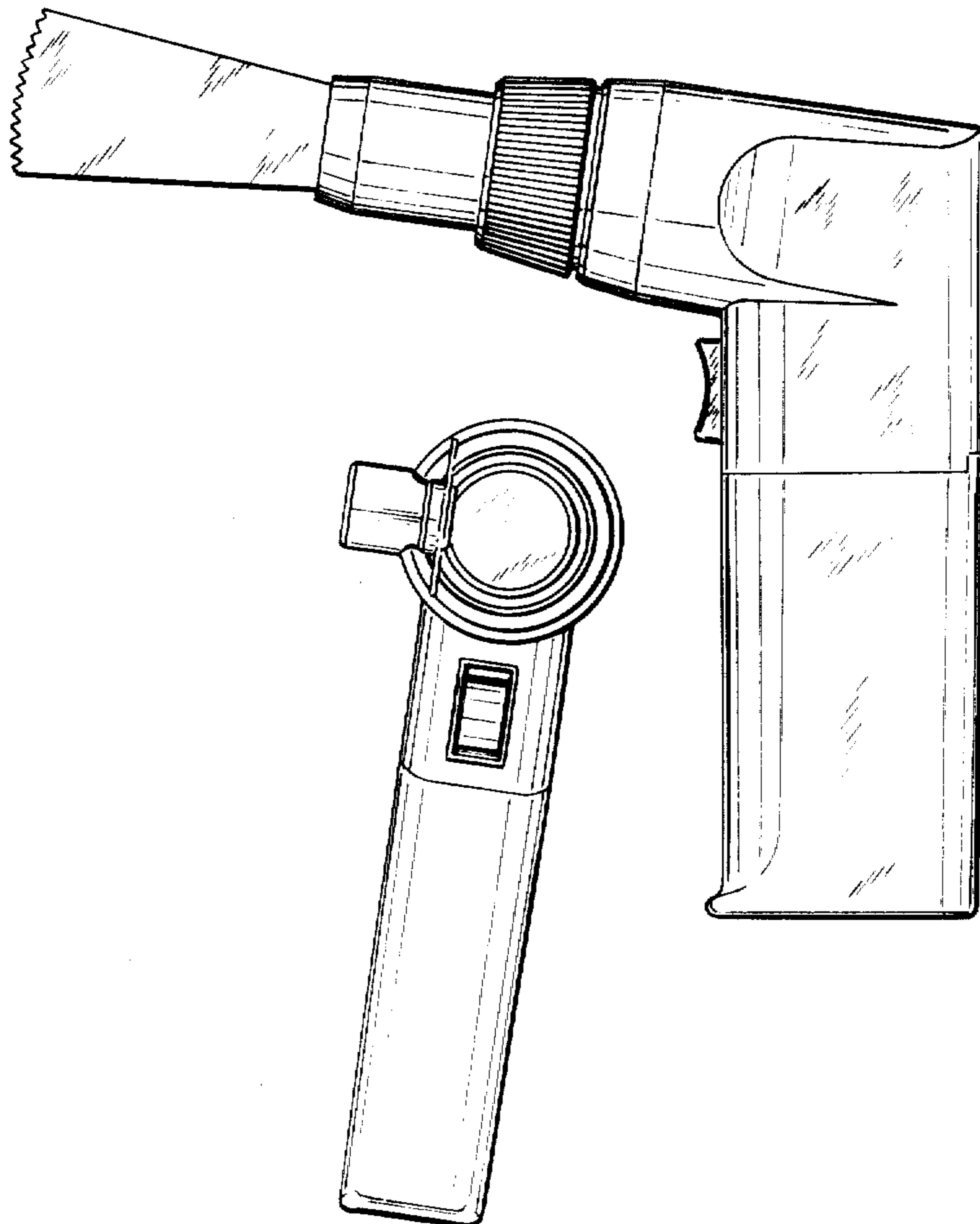
FIG. 2 is a side elevational view of a sagittal saw with the front thereof facing leftwardly;

FIG. 3 is a rear elevational view of the device shown in FIG. 1;

FIG. 4 is a front elevational view of the device shown in FIG. 1;

FIG. 5 is a bottom plan view of the device shown in FIG. 1; and

FIG. 6 is a top plan view of the device shown in FIG. 1.



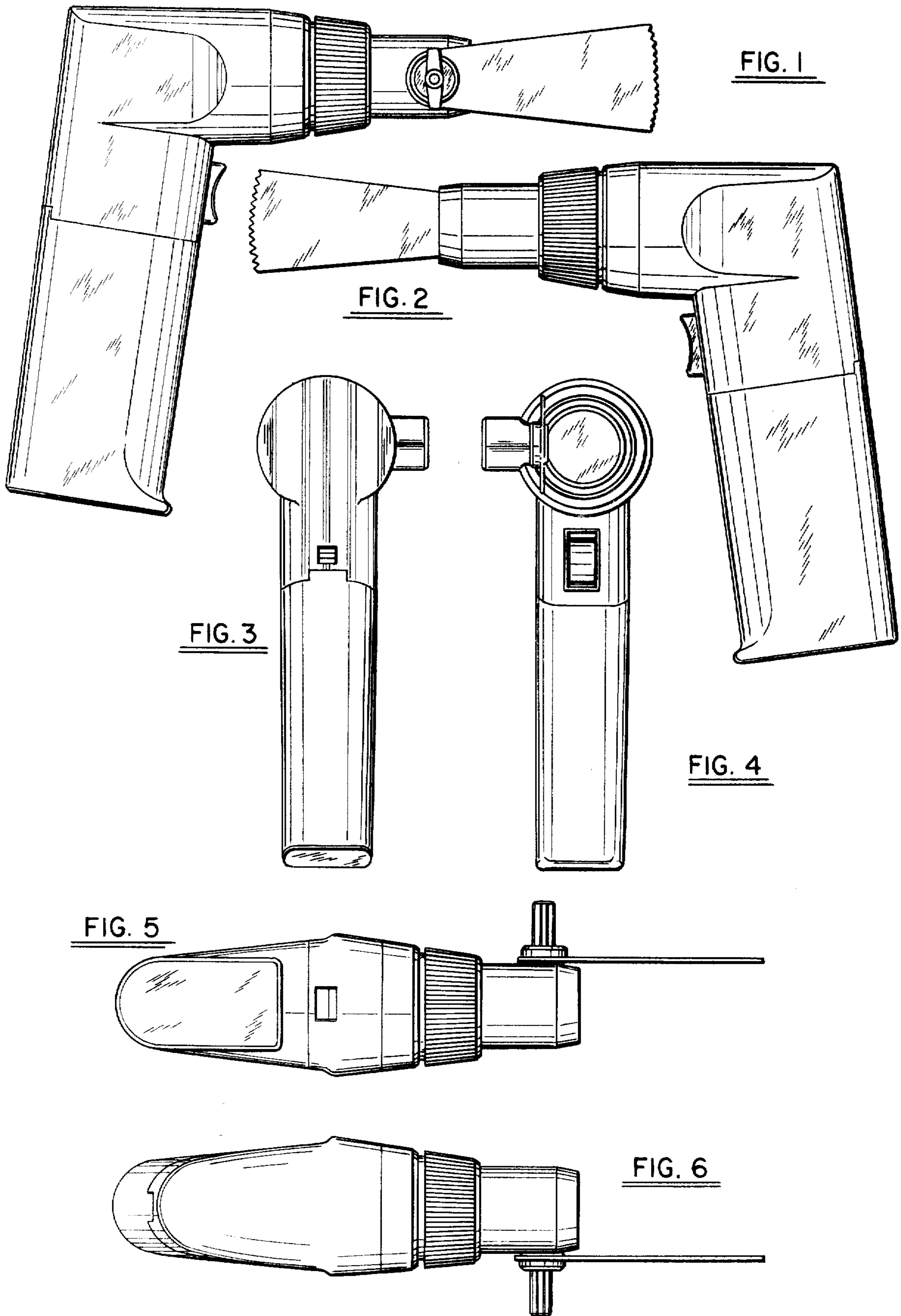


FIG. 1

FIG. 2

FIG. 3

FIG. 4

FIG. 5

FIG. 6