

[54] COAL STOVE

[56]

References Cited

U.S. PATENT DOCUMENTS

[76] Inventor: Lawrence E. Trainer, 42 Fairview Ave., Pembroke, Mass. 02359

D. 35,009 8/1901 Kennedy et al. D23/128
1,457,660 6/1923 Holloway 126/58

[**] Term: 14 Years

Primary Examiner—Catherine E. Kemper
Attorney, Agent, or Firm—Wolf, Greenfield & Sacks

[21] Appl. No.: 123,505

[57]

CLAIM

The ornamental design for a coal stove, as shown and described.

[22] Filed: Feb. 22, 1980

DESCRIPTION

[51] Int. Cl. D23—03

[52] U.S. Cl. D23/97

[58] Field of Search D23/72, 92-97,
D23/105, 107, 118, 119, 127, 128; 126/4, 6,
58-68, 120, 121, 123, 135, 136, 138

FIG. 1 is a front elevational view of a coal stove, showing my new design;

FIG. 2 is a right side elevational view thereof;

FIG. 3 is a left side elevational view thereof;

FIG. 4 is a rear elevational view thereof;

FIG. 5 is a top plan view thereof;

FIG. 6 is a bottom plan view thereof.

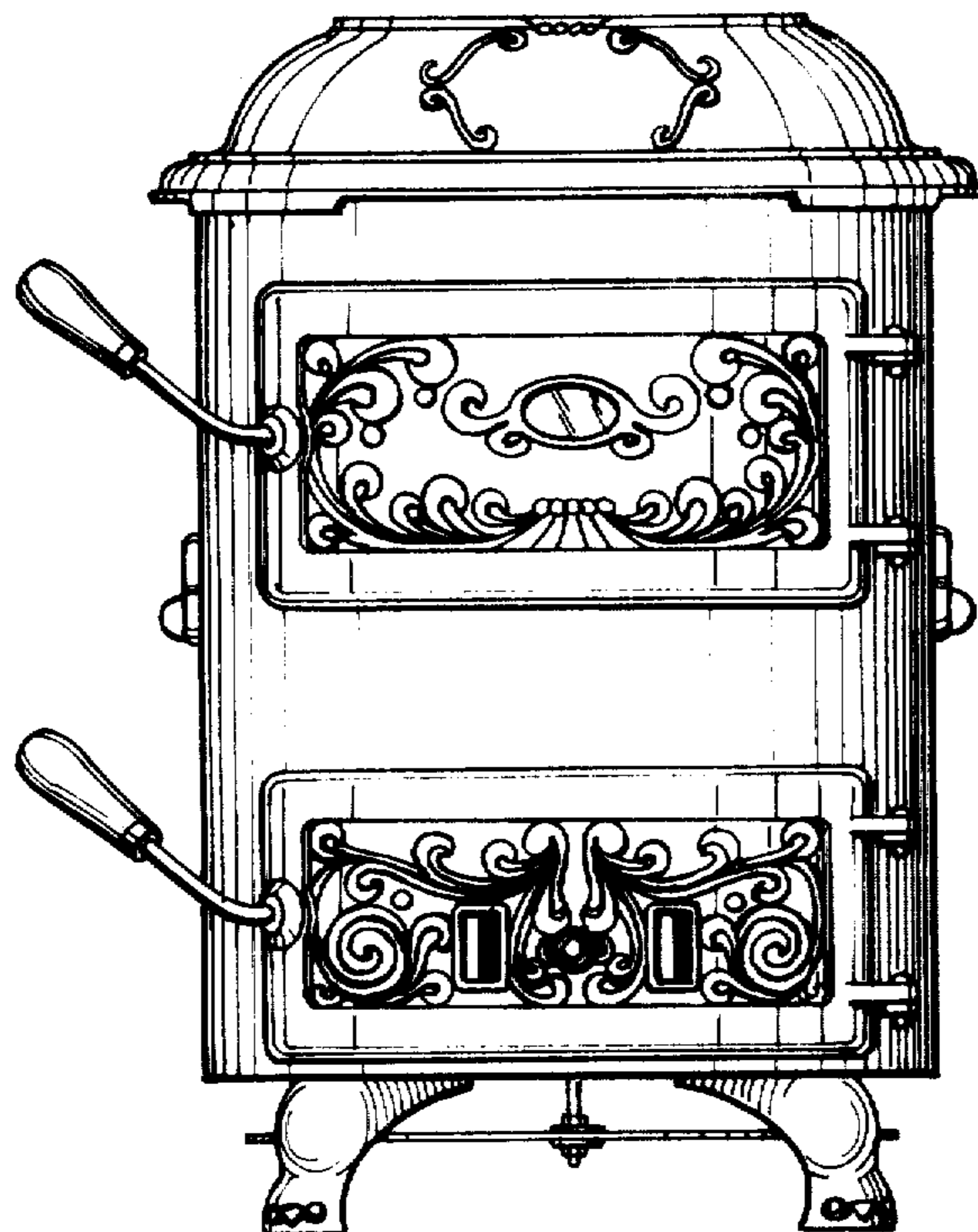


Fig. 1

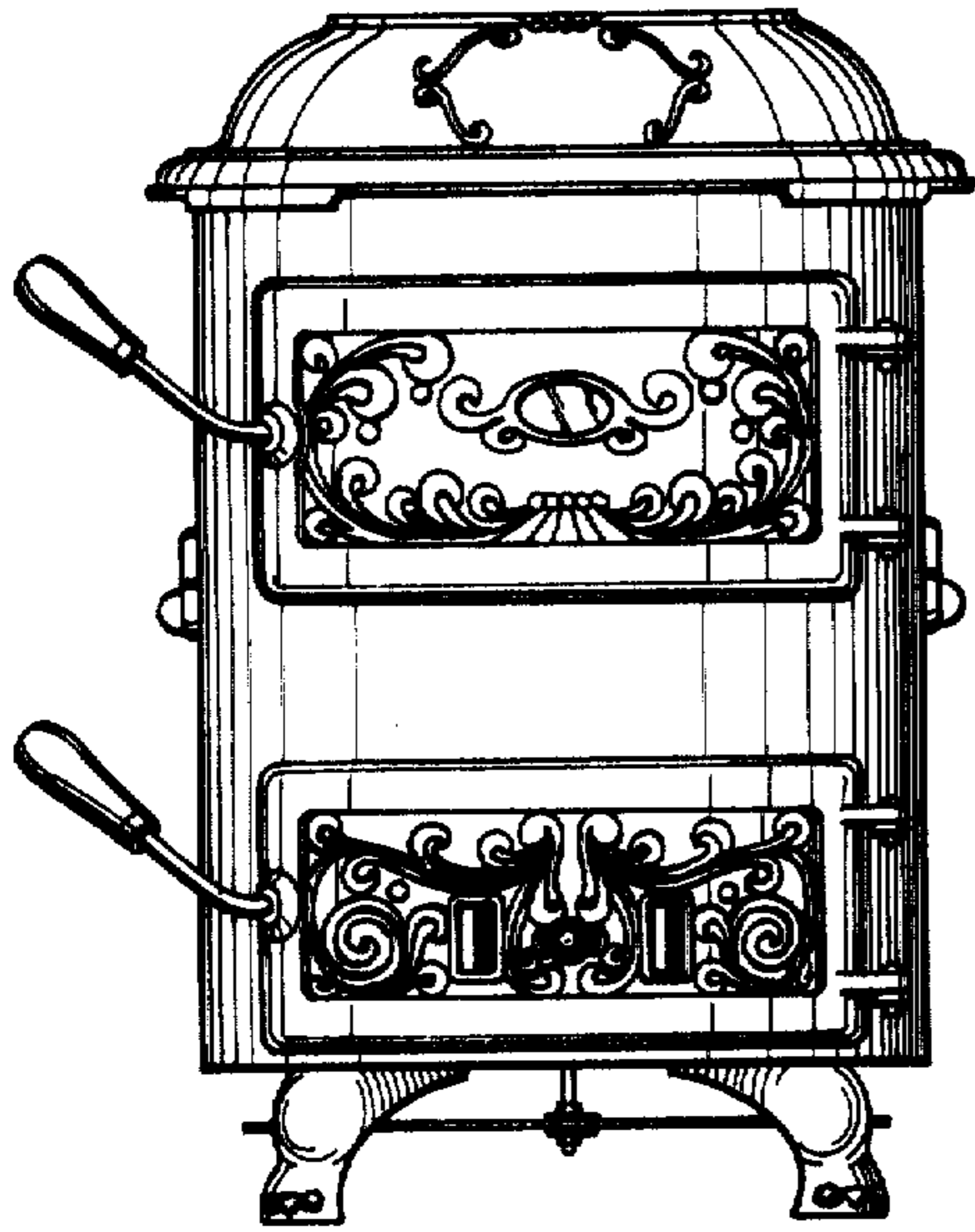


Fig. 2

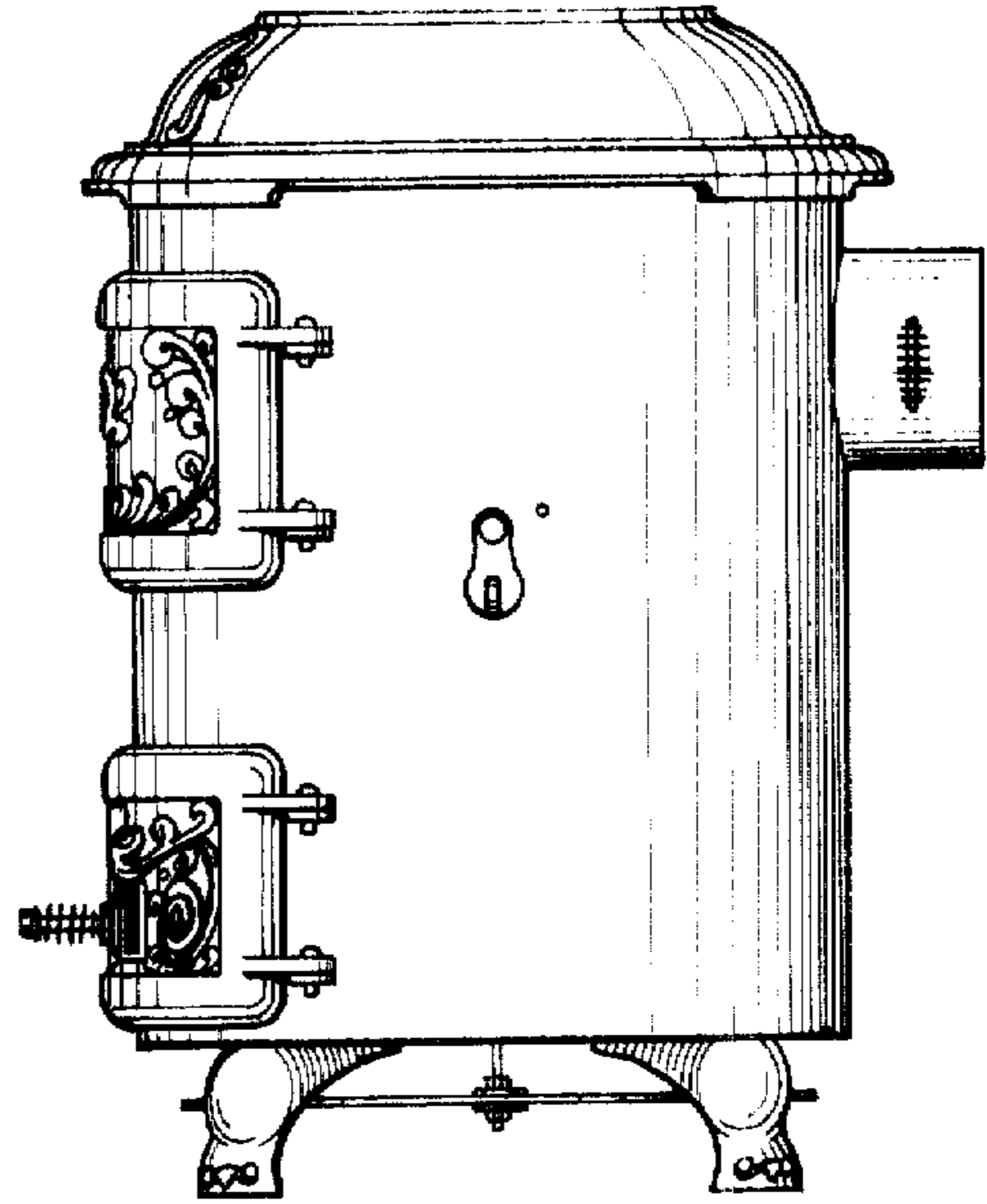


Fig. 3

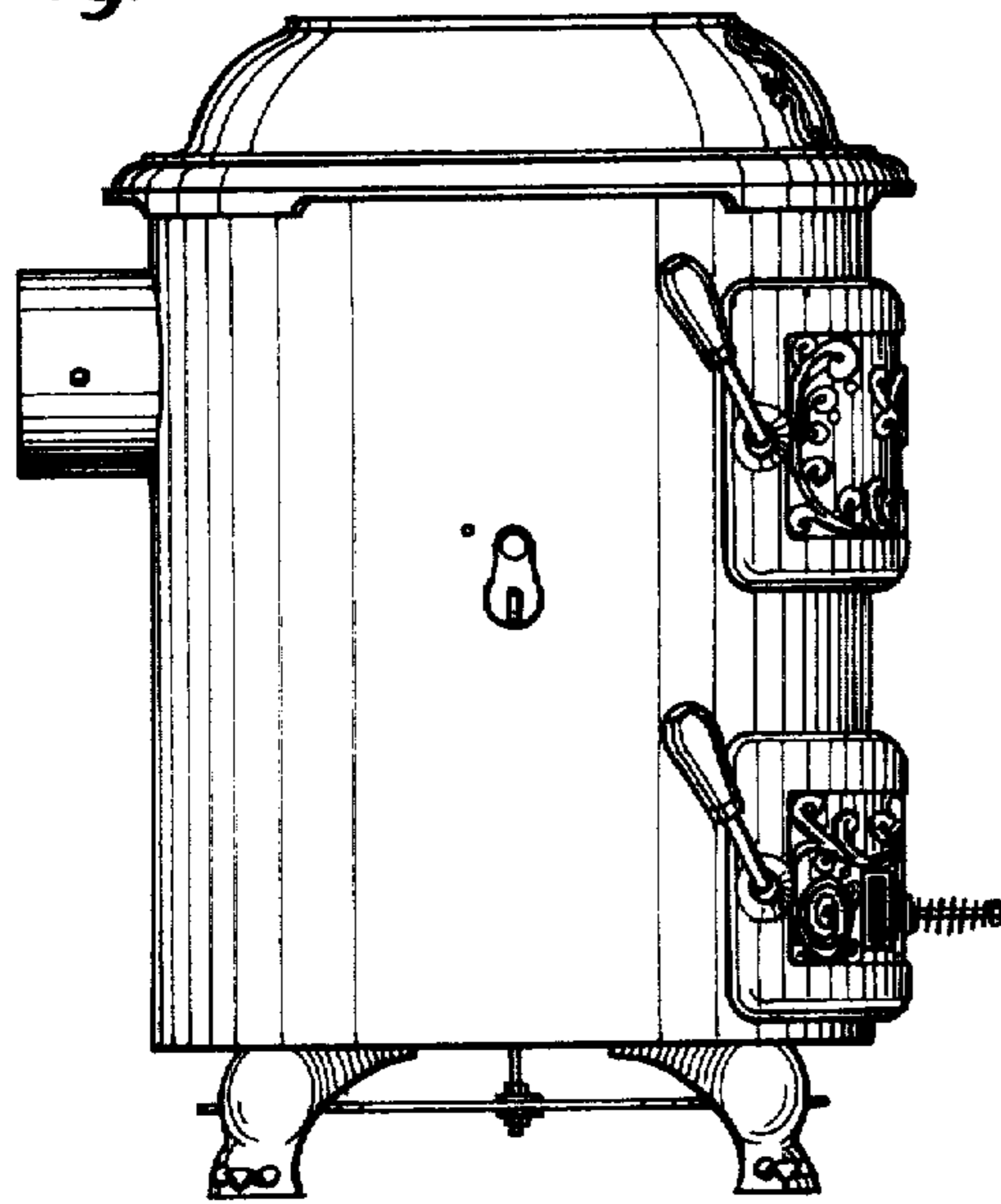


Fig. 4

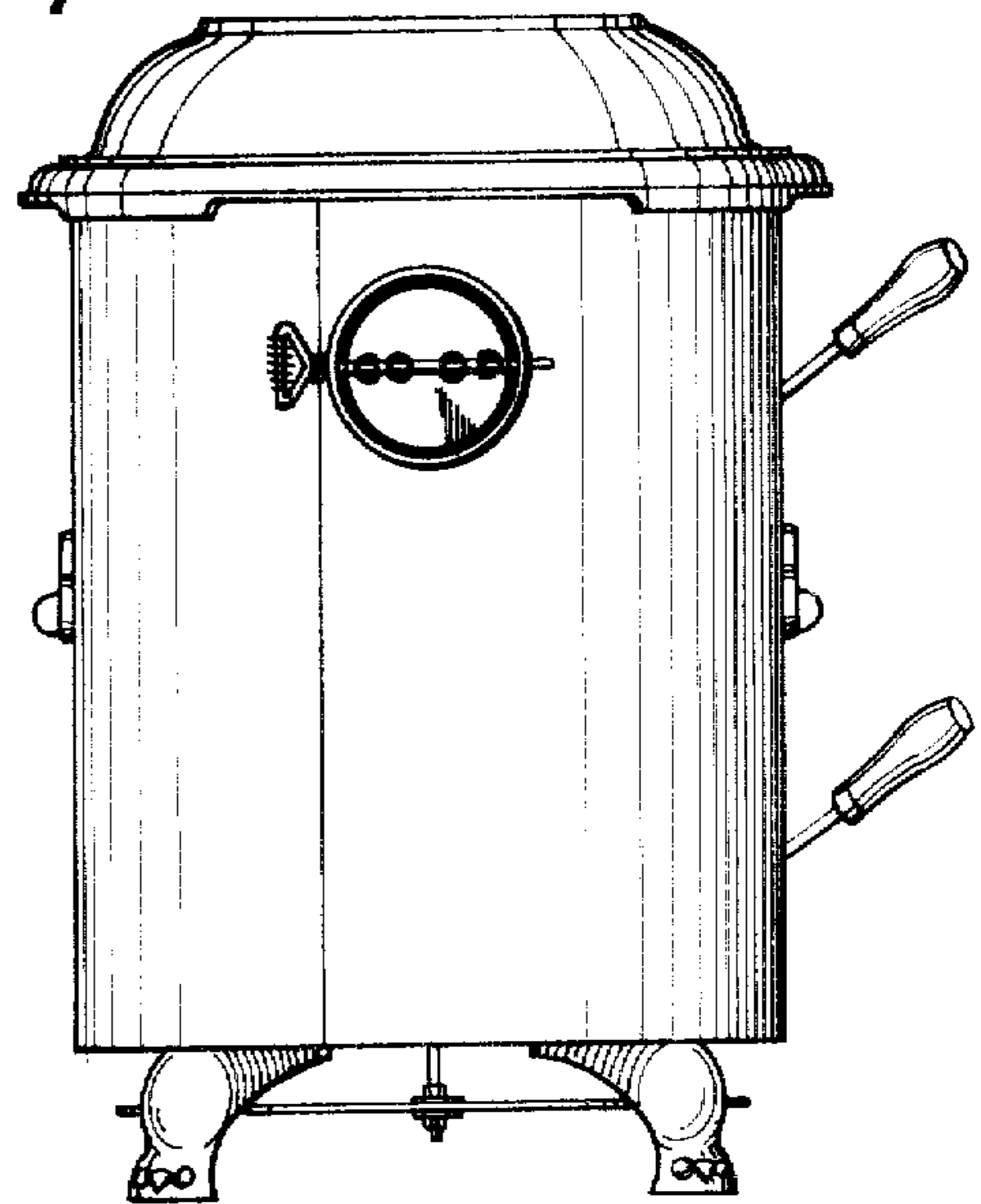


Fig. 5

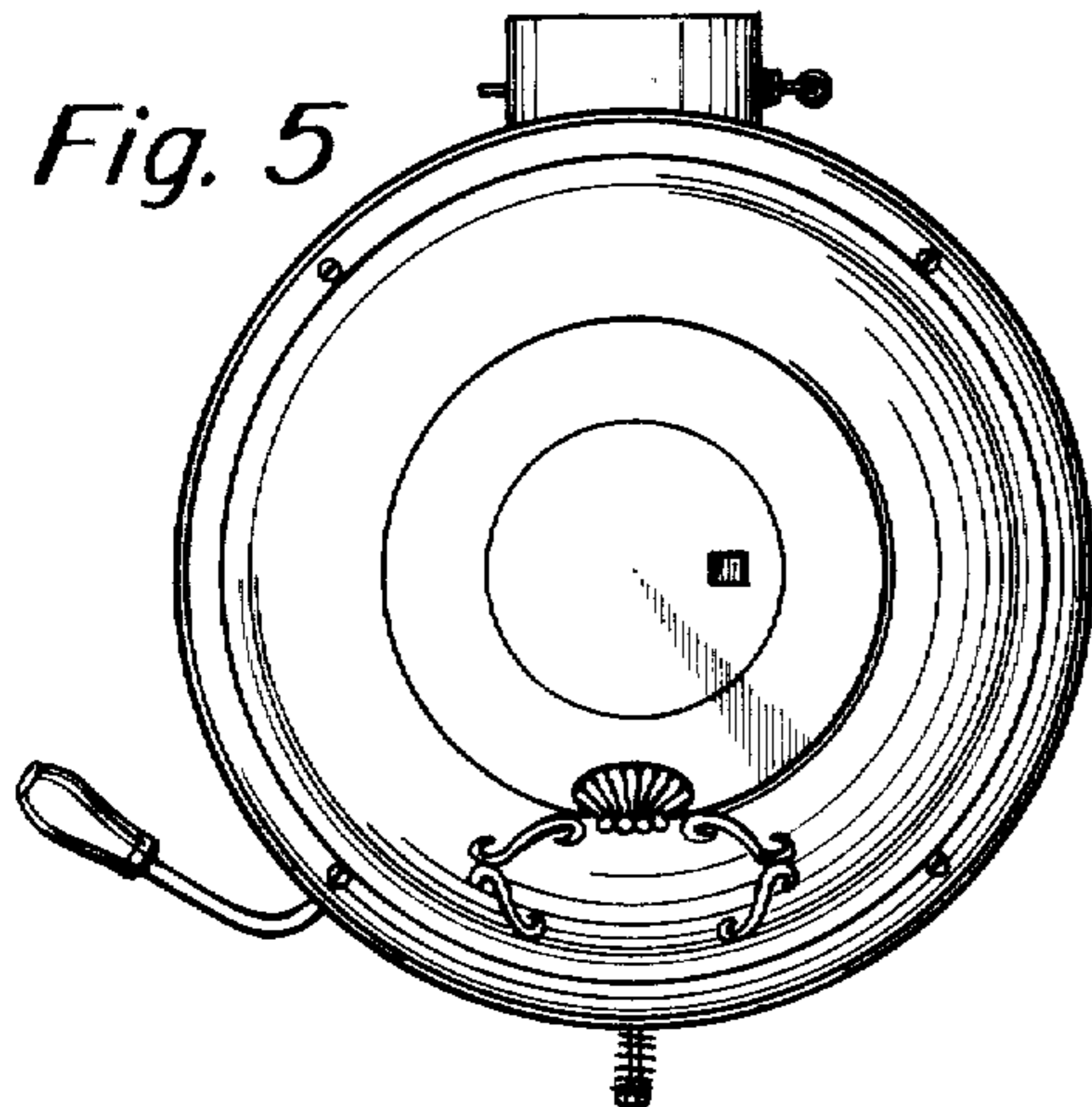


Fig. 6

