

[54] TOY BOAT

[75] Inventors: Victor G. Reiling, Jr., Litchfield, Conn.; W. Porter Clanton, East Aurora, N.Y.

[73] Assignee: The Quaker Oats Company, Chicago, Ill.

[**] Term: 14 Years

[21] Appl. No.: 114,284

[22] Filed: Jan. 22, 1980

[51] Int. Cl. D21-01
[52] U.S. Cl. D21/130
[58] Field of Search D21/130; 46/93, 96; D12/300, 316

[56]

References Cited

U.S. PATENT DOCUMENTS

D. 145,142 7/1946 Overath D21/130
D. 234,965 4/1975 Reiling, Jr. D21/130

OTHER PUBLICATIONS

Spiegel Xmas Cat., 1978, p. 332, bottom, illustration "A," Boat.

Primary Examiner—Melvin B. Feifer
Attorney, Agent, or Firm—Cumpston & Shaw

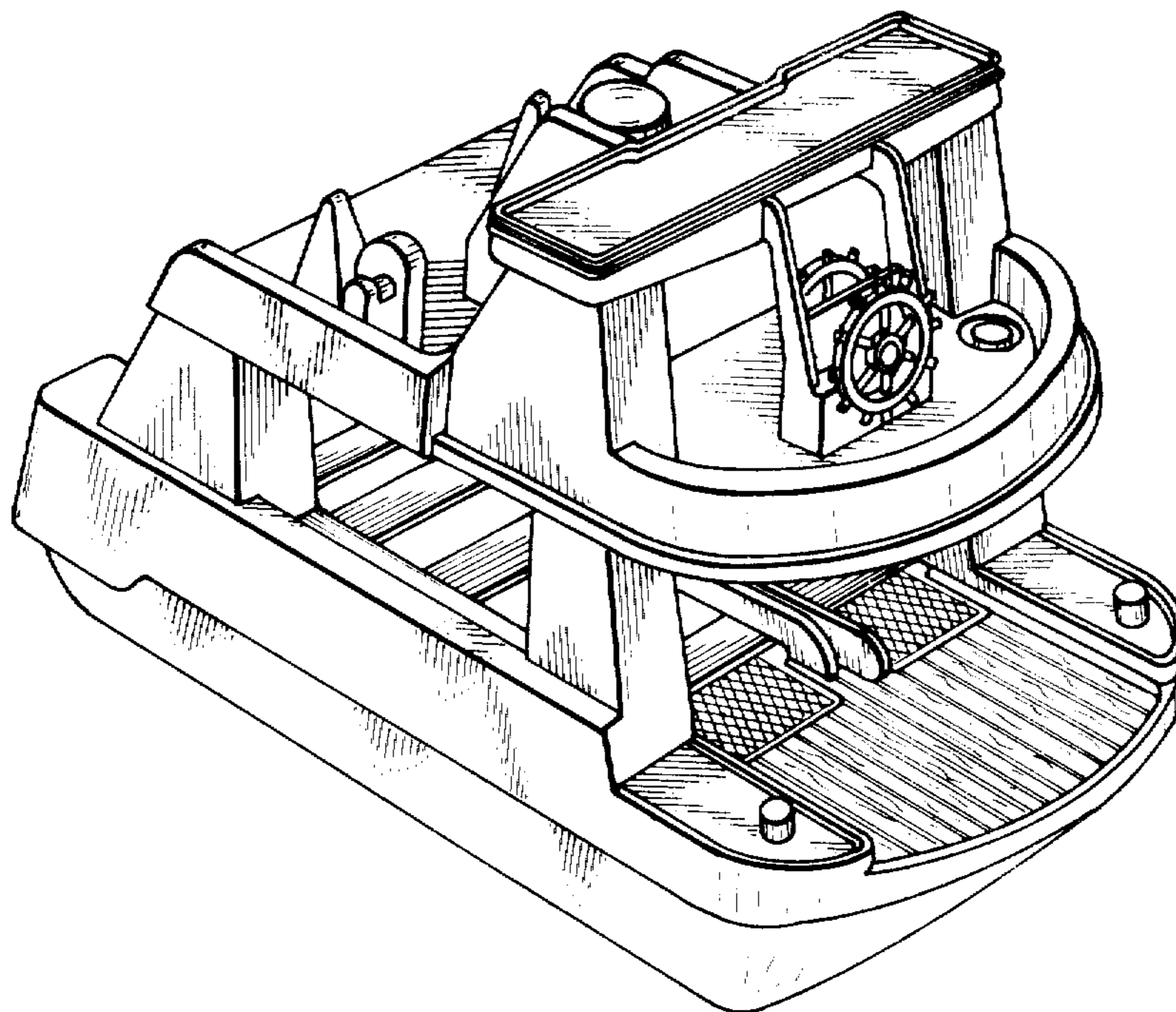
[57]

CLAIM

The ornamental design for a toy boat, substantially as shown and described.

DESCRIPTION

FIG. 1 is a front perspective view of a toy boat showing our new design;
FIG. 2 is a left-side elevational view thereof, the right side being substantially a mirror image;
FIG. 3 is a rear elevational view thereof; and
FIG. 4 is a bottom plan view thereof.



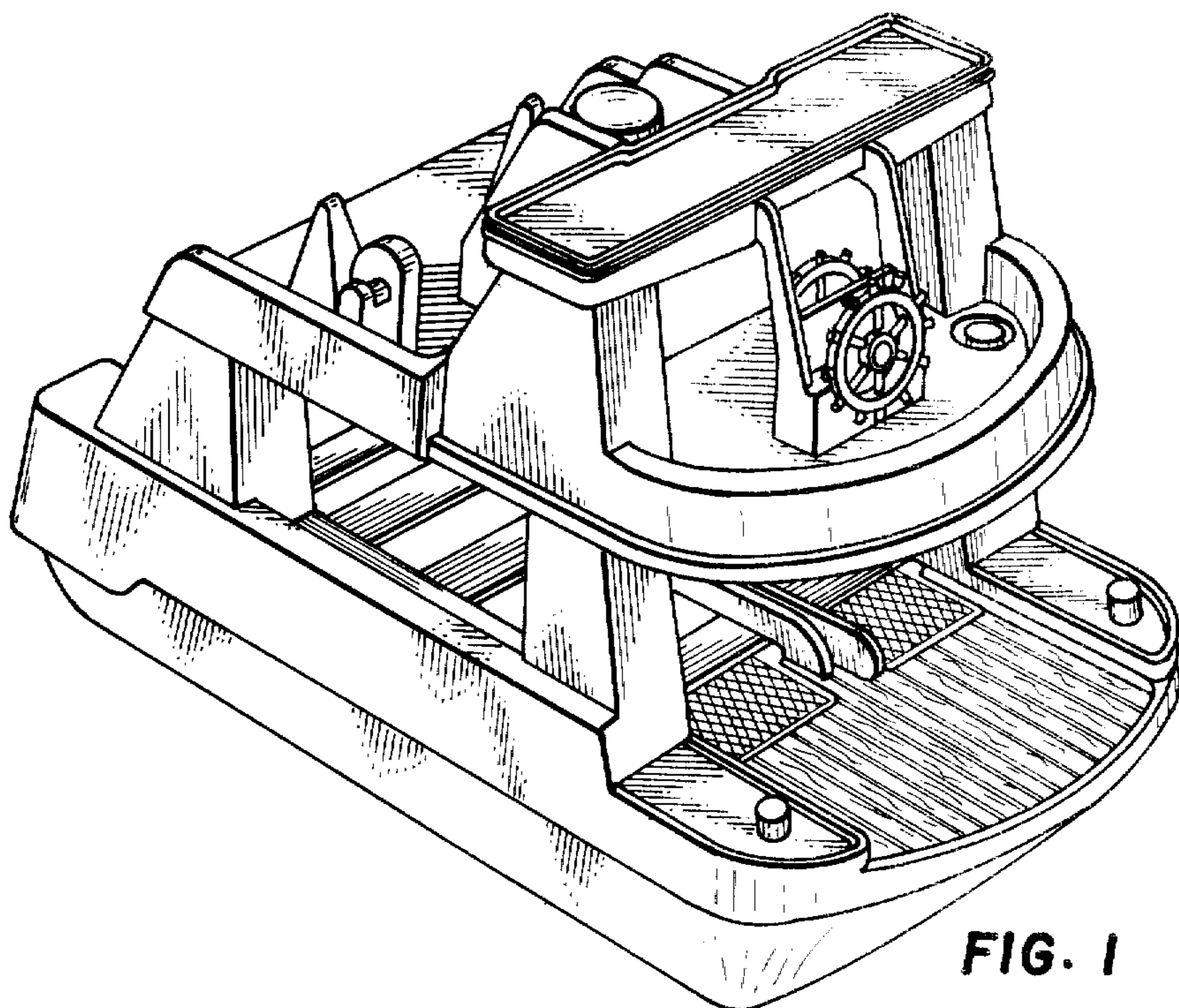


FIG. 1

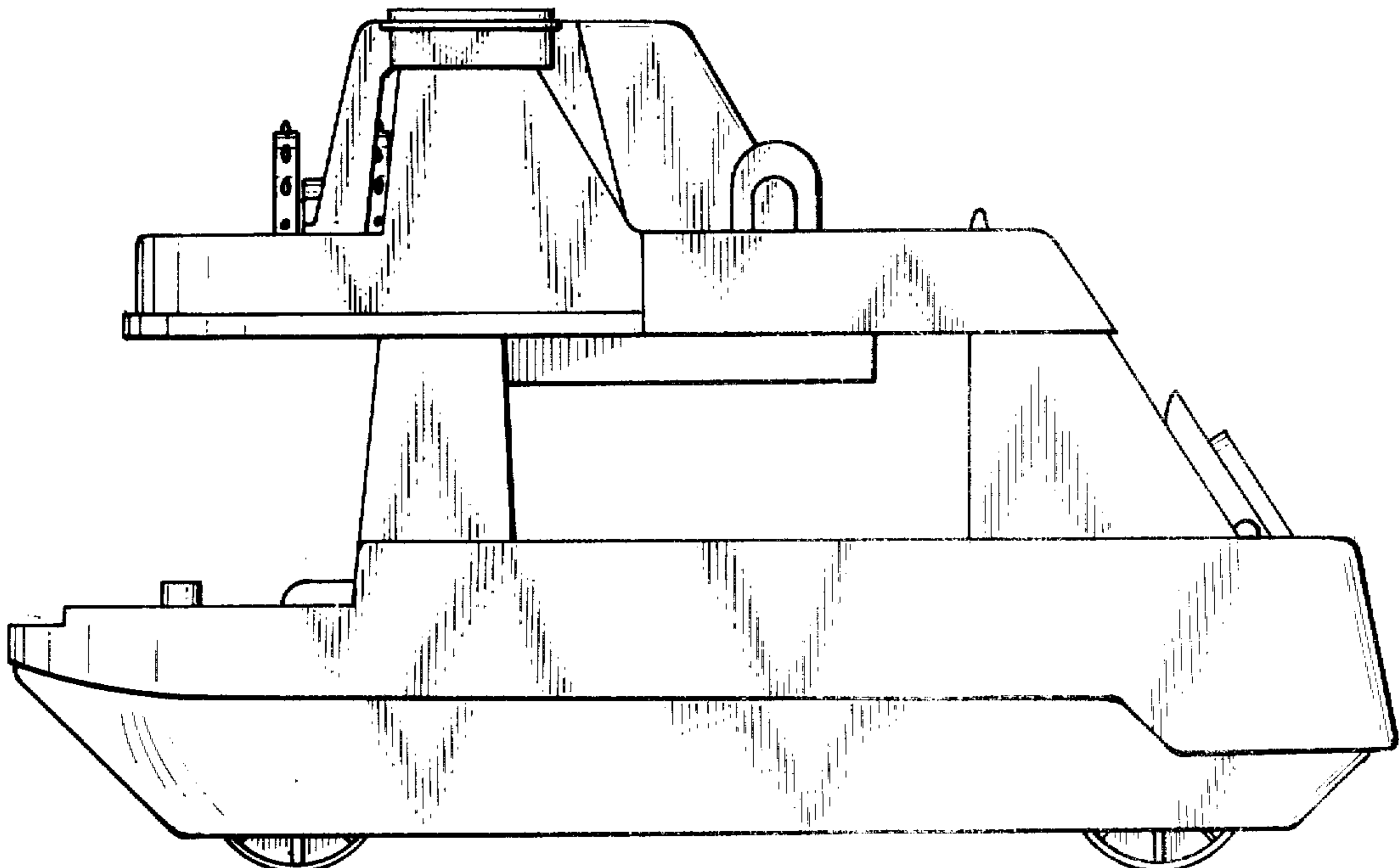


FIG. 2

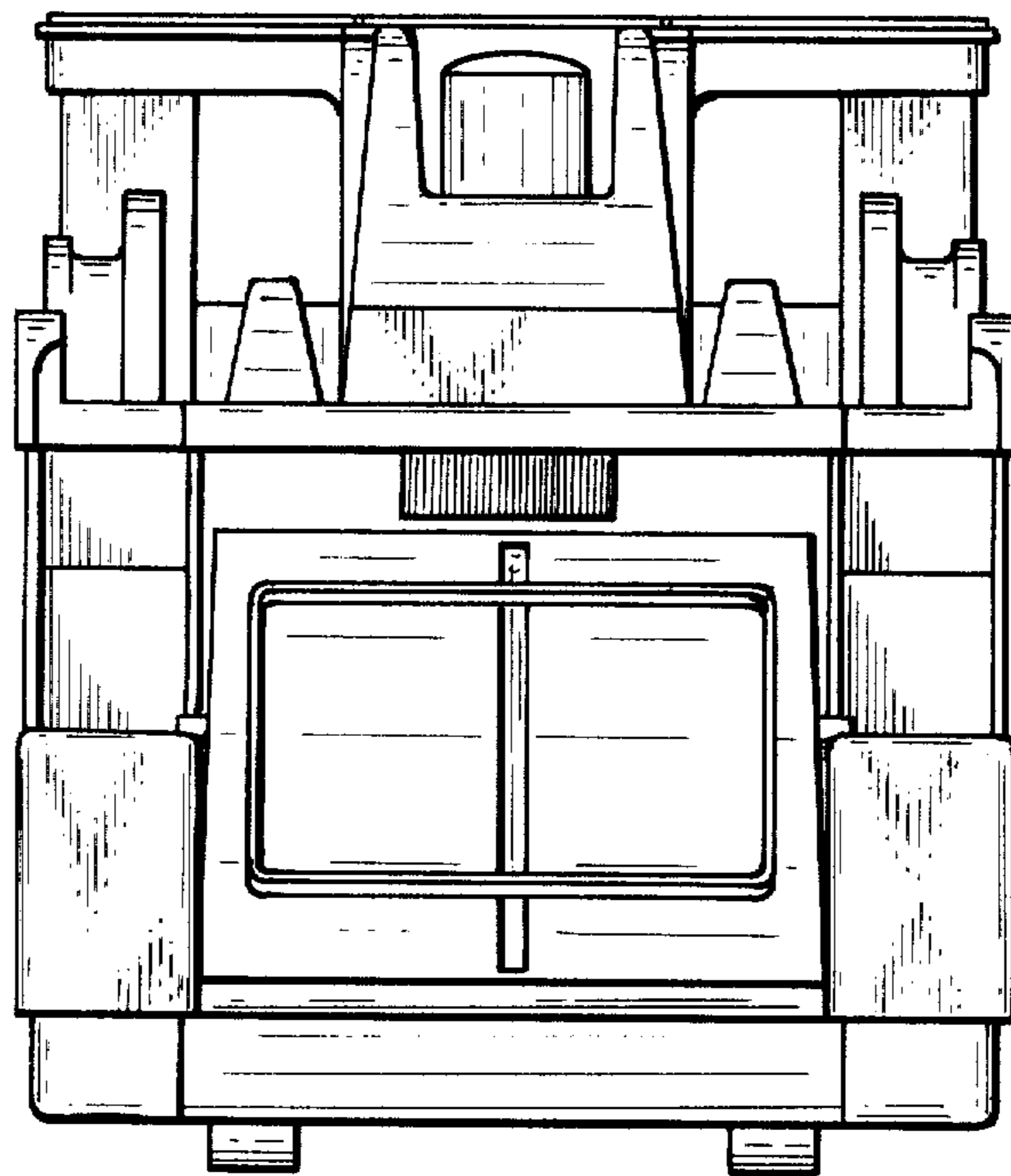


FIG. 3

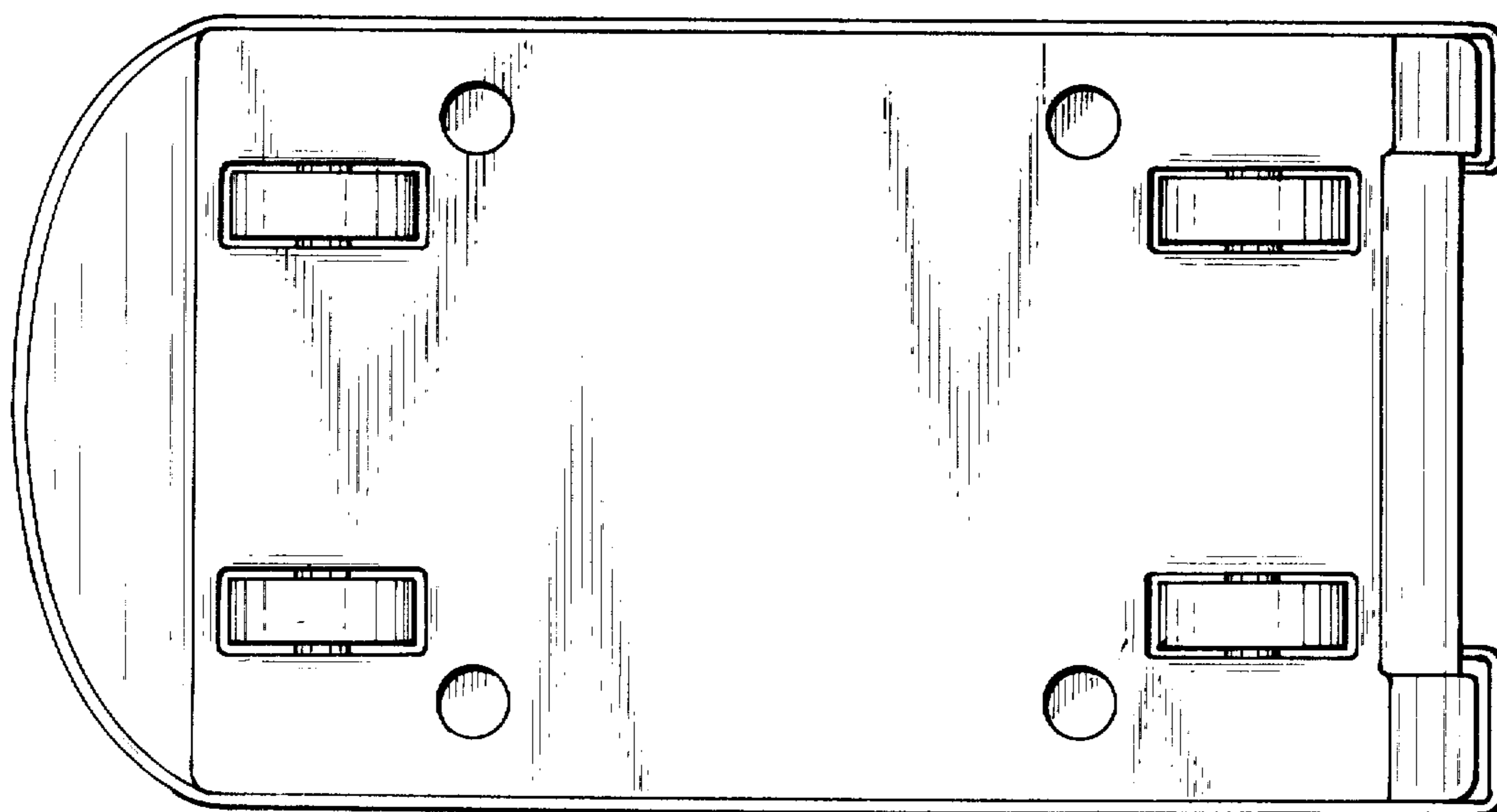


FIG. 4