

[54] TOY SUBMARINE

[75] Inventor: Karl D. Lerch, East Aurora, N.Y.

[73] Assignee: The Quaker Oats Company, Chicago, Ill.

[**] Term: 14 Years

[21] Appl. No.: 109,620

[22] Filed: Jan. 4, 1980

[51] Int. Cl. D21-01

[52] U.S. Cl. D21/130

[58] Field of Search D21/130; 46/94; D12/308

[56] References Cited

U.S. PATENT DOCUMENTS

- D. 245,529 8/1977 Hudson et al. D21/130
- 3,466,798 9/1969 Speers et al. 46/94

OTHER PUBLICATIONS

Sears 1976 Wish Book, p. 536, lower right, Item 9, Tike Submarine.

Primary Examiner—Melvin B. Feifer
Attorney, Agent, or Firm—Cumpston & Shaw

[57] CLAIM

The ornamental design for a toy submarine, substantially as shown and described.

DESCRIPTION

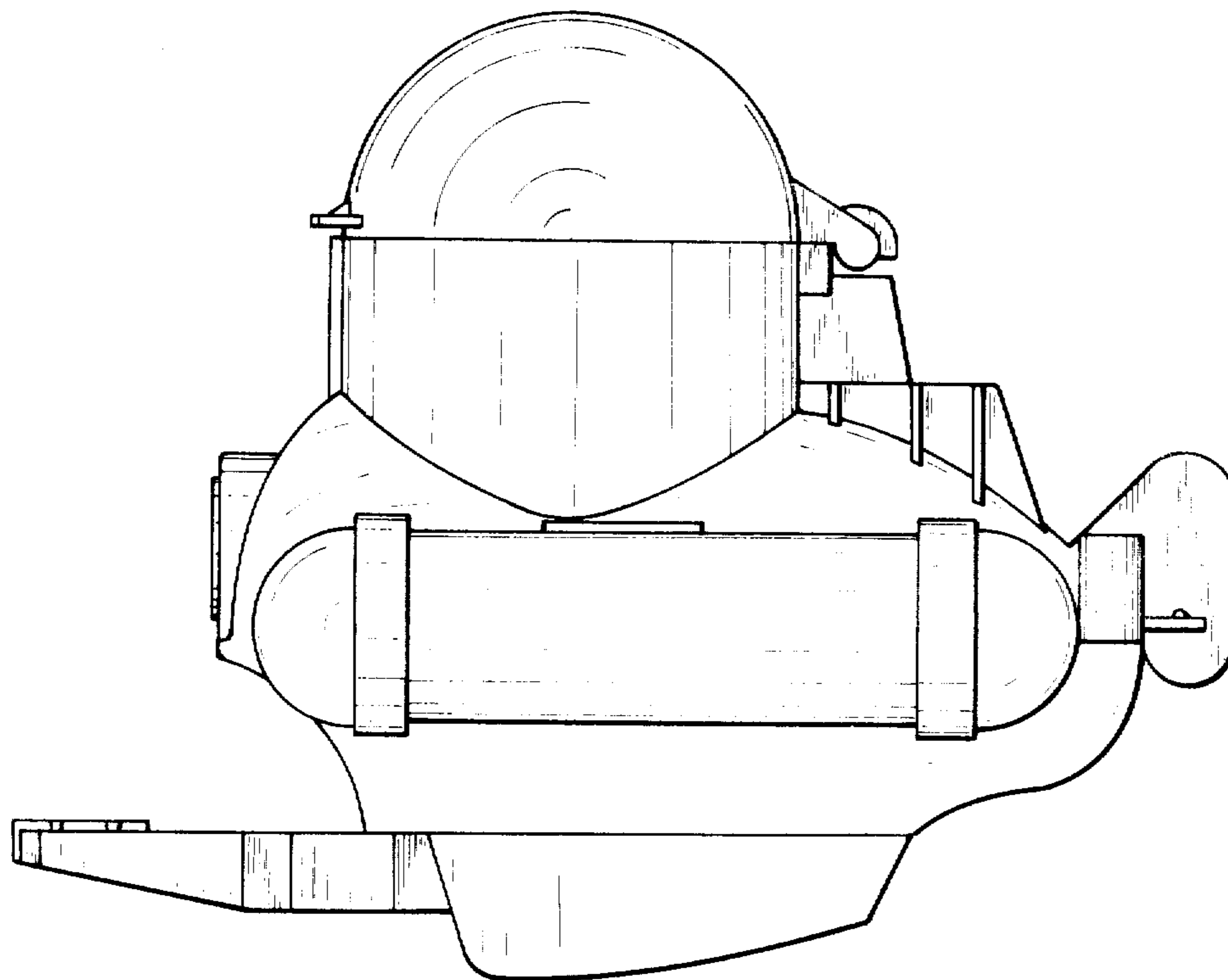
FIG. 1 is a top plan view of a toy submarine showing my new design;

FIG. 2 is a left-side elevational view thereof, the right side being substantially a mirror image;

FIG. 3 is a front elevational view thereof;

FIG. 4 is a rear elevational view thereof; and

FIG. 5 is a bottom plan view thereof.



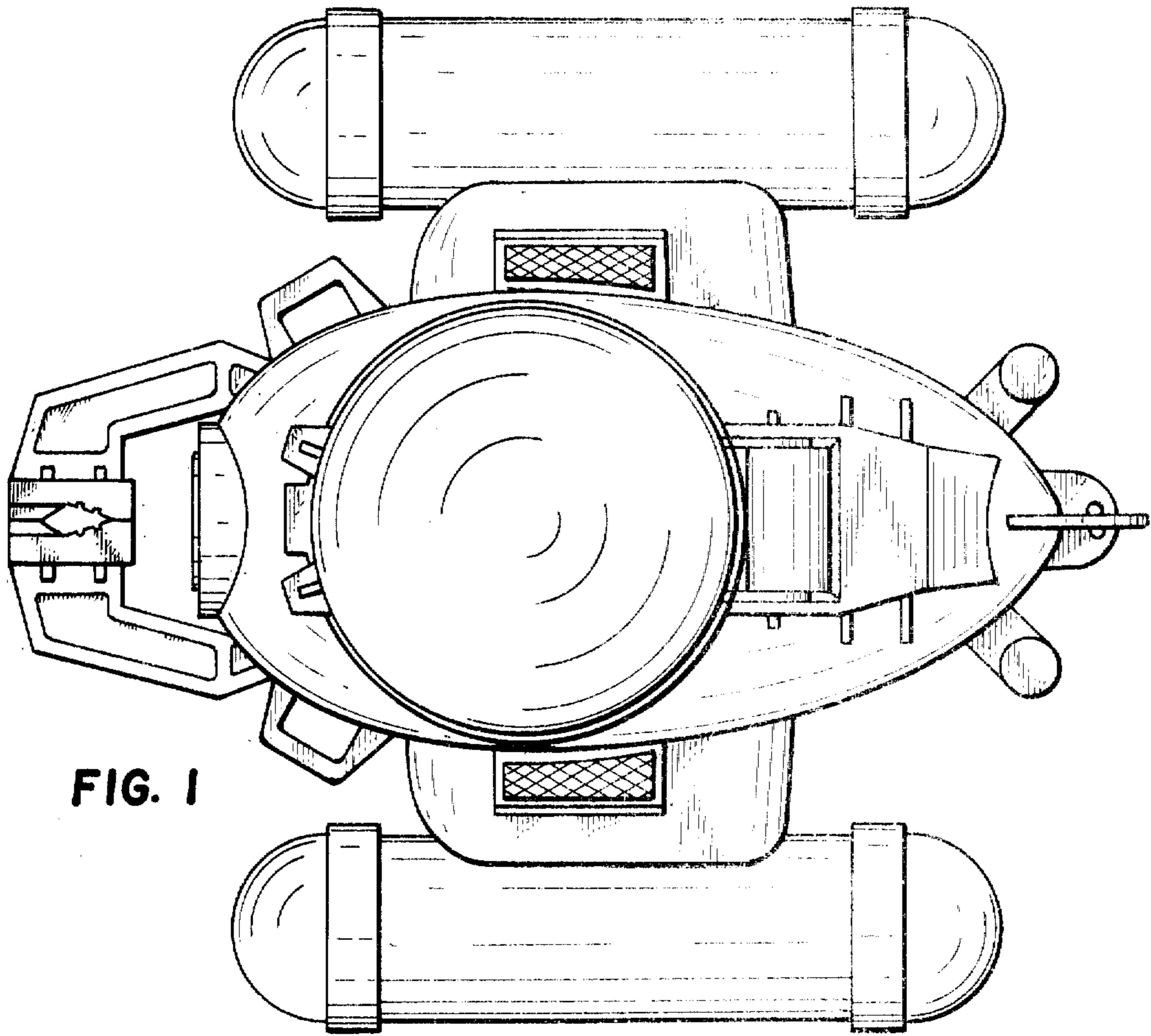


FIG. 1

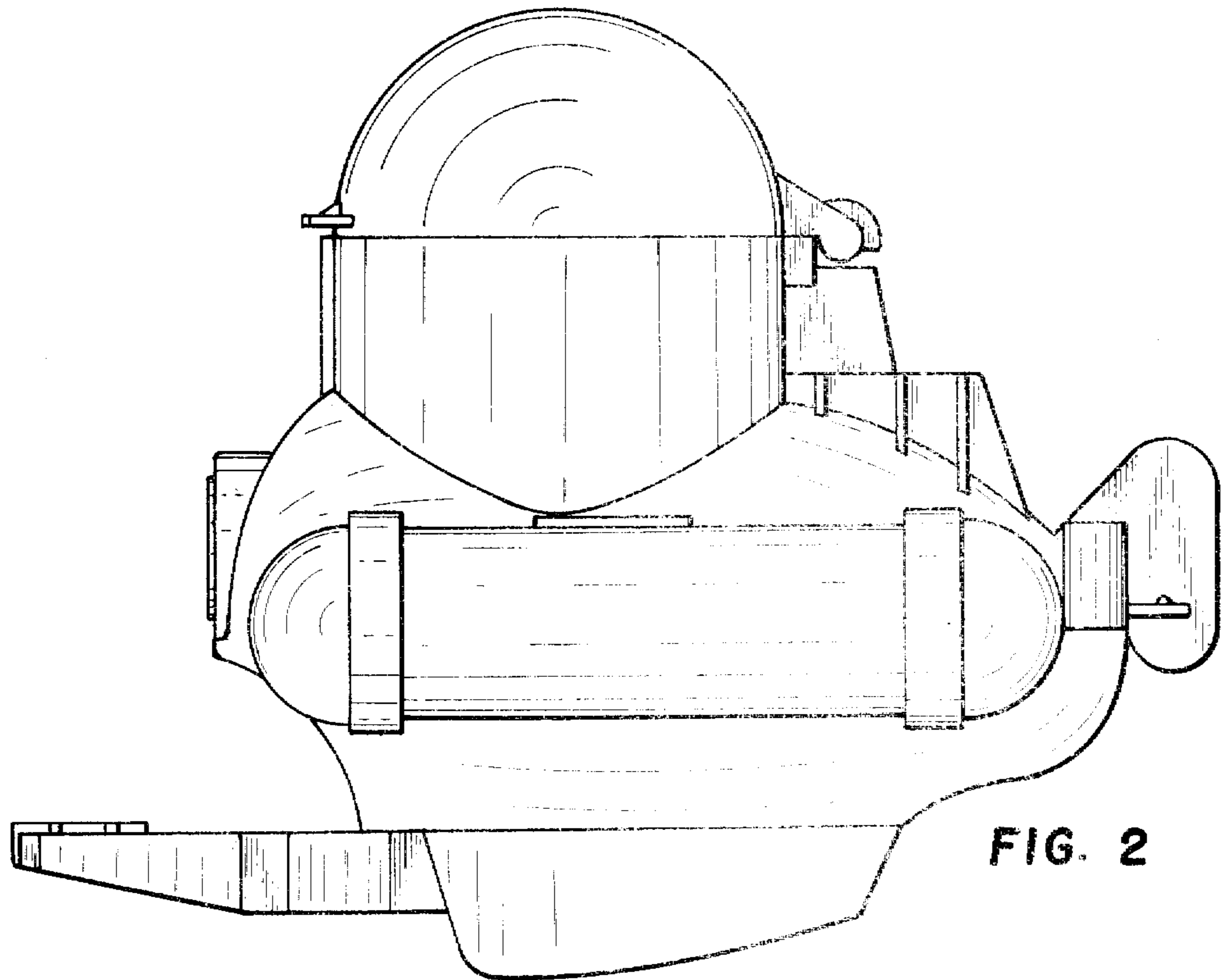


FIG. 2

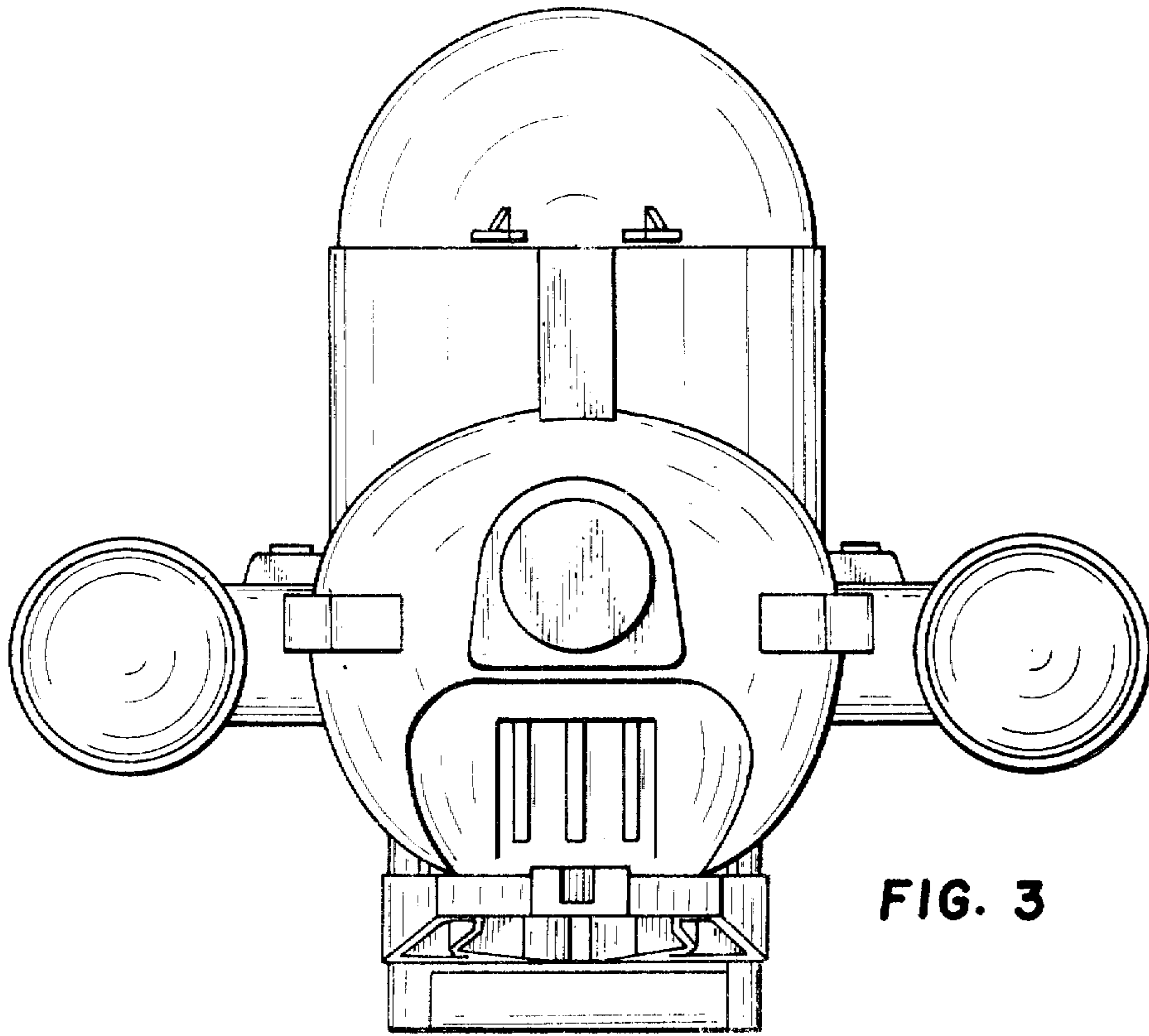


FIG. 3

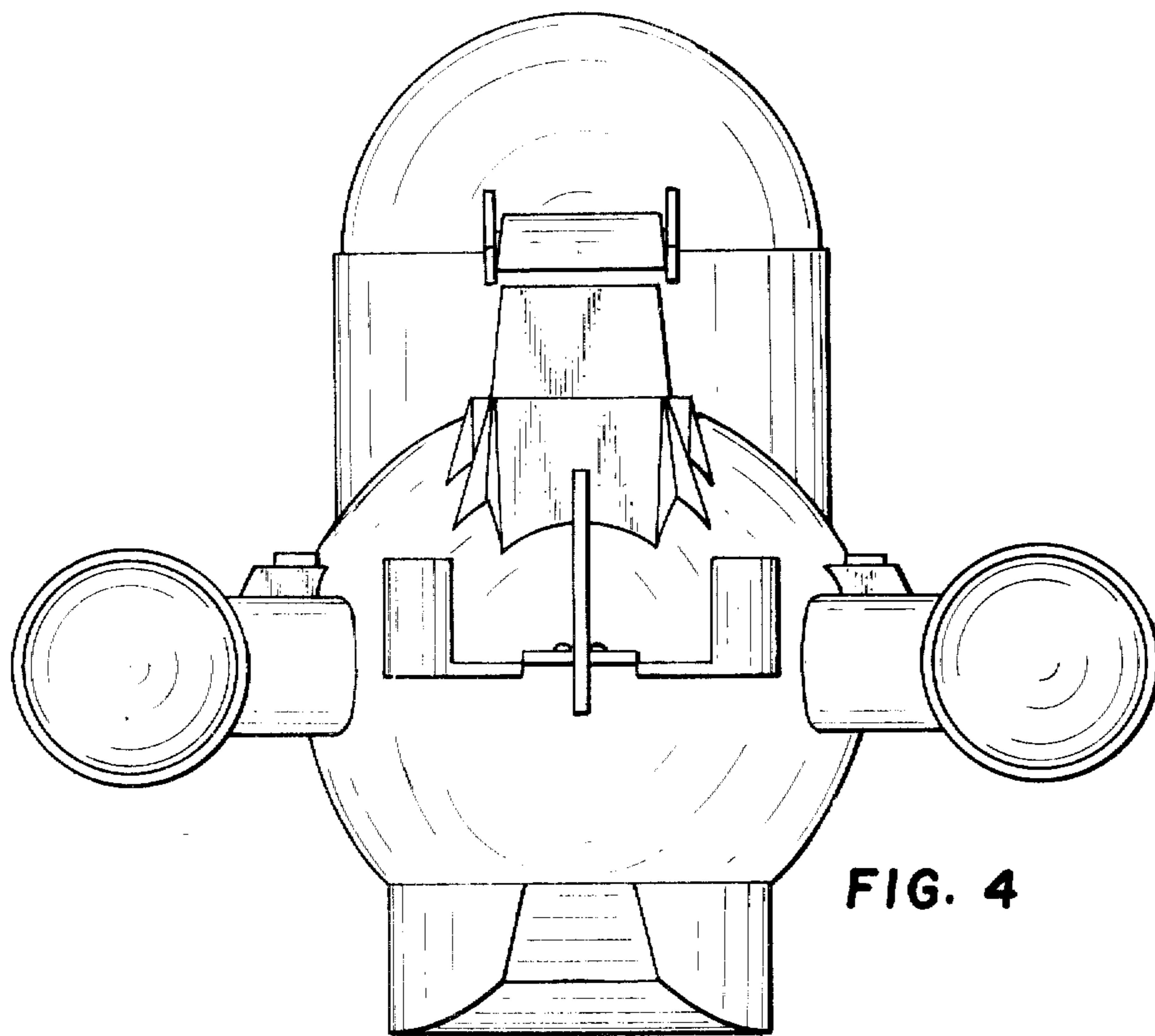


FIG. 4

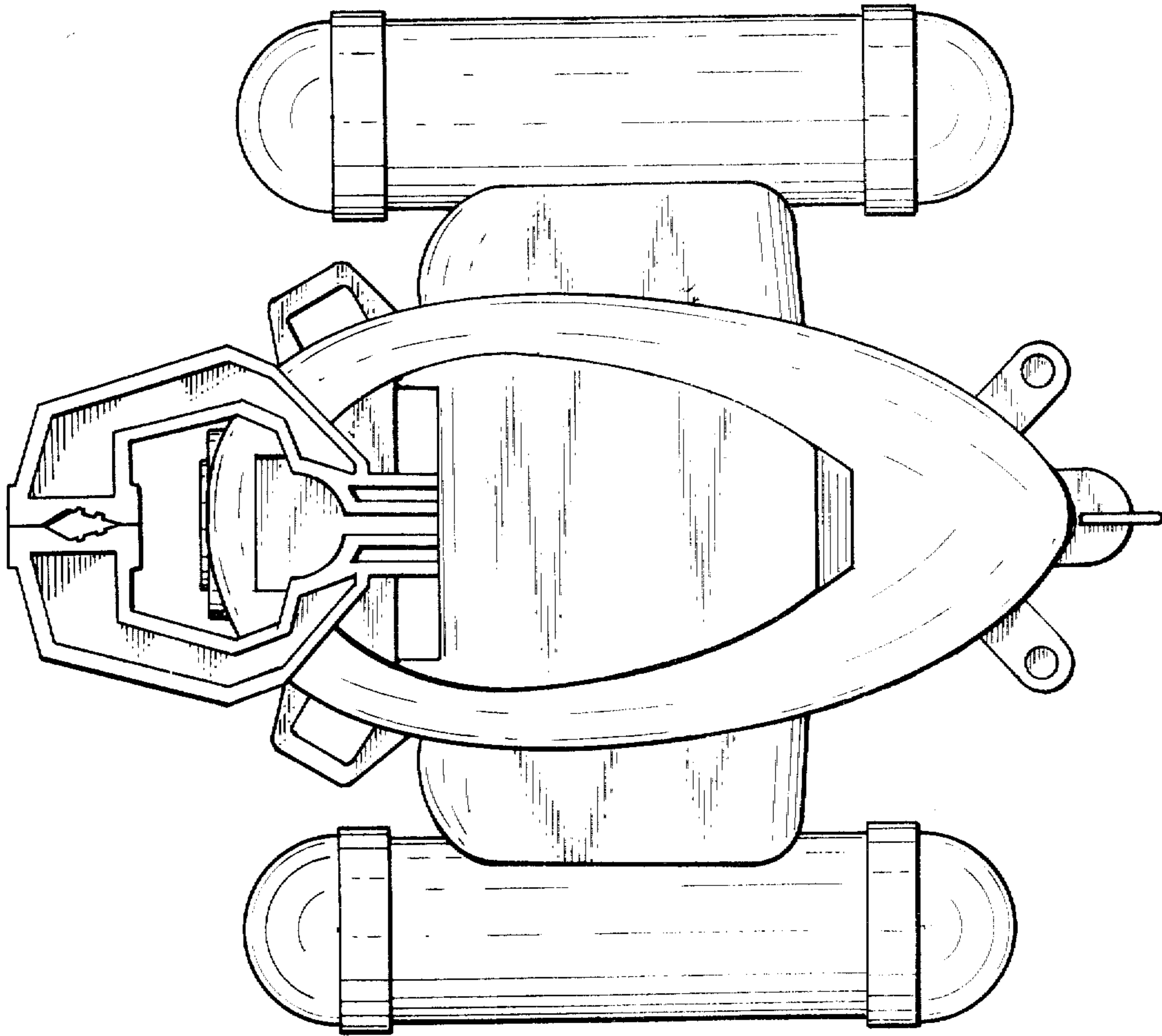


FIG. 5