

[54] TOY CRANE

[75] Inventor: Victor J. Fratarcangeli, East Aurora, N.Y.

[73] Assignee: The Quaker Oats Company, Chicago, Ill.

[**] Term: 14 Years

[21] Appl. No.: 109,619

[22] Filed: Jan. 4, 1980

[51] Int. Cl. D21-01

[52] U.S. Cl. D21/124

[58] Field of Search D21/124; 46/40; D12/316

[56]

References Cited

U.S. PATENT DOCUMENTS

D. 204,770 5/1966 Pfister D21/124
D. 232,425 8/1974 Marriner D12/316

Primary Examiner—Melvin B. Feifer
Attorney, Agent, or Firm—Cumpston & Shaw

[57]

CLAIM

The ornamental design for a toy crane, substantially as shown.

DESCRIPTION

FIG. 1 is a right-side elevational view of a toy crane showing my new design;

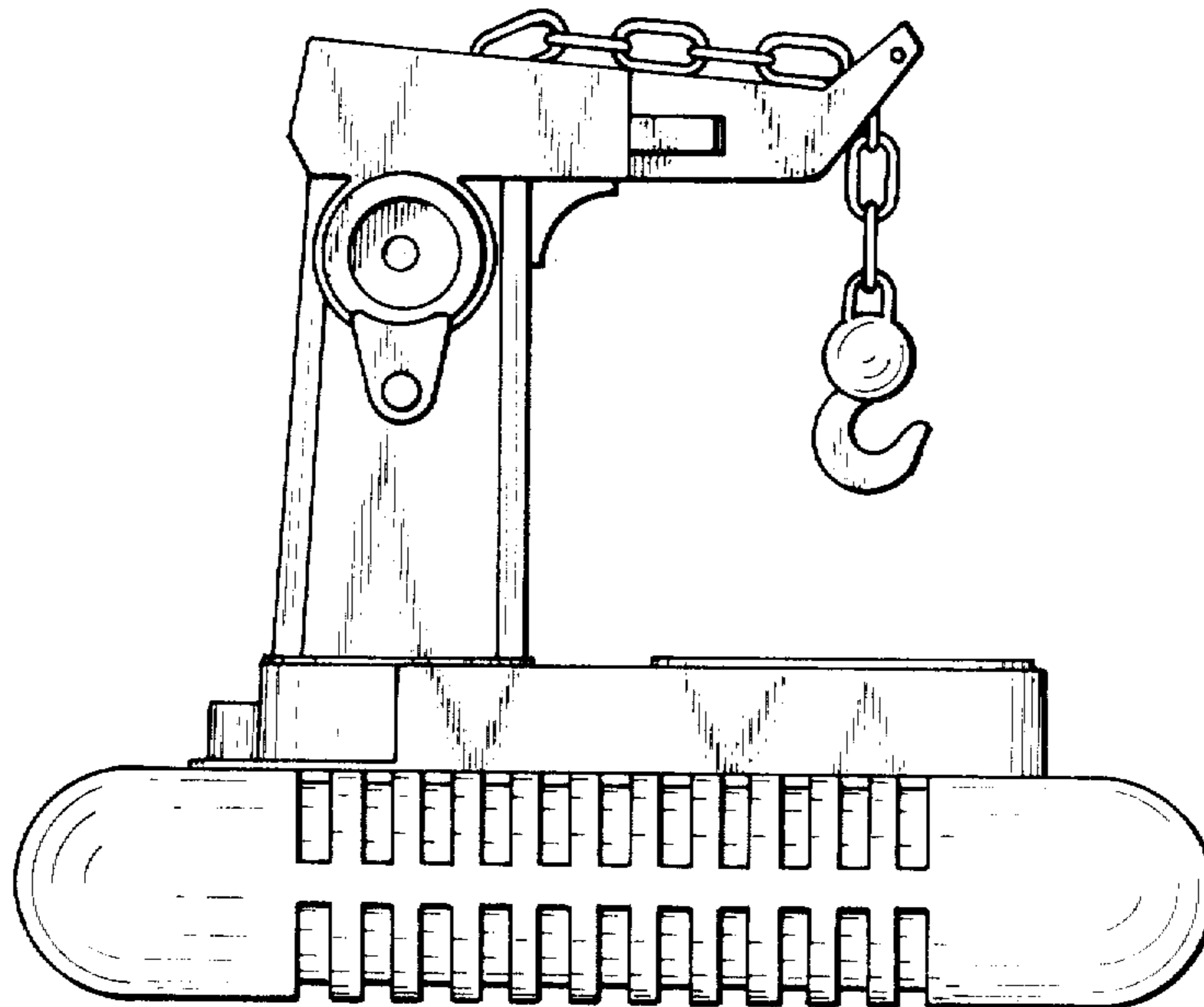
FIG. 2 is a front elevational view thereof;

FIG. 3 is a rear elevational view thereof;

FIG. 4 is a left-side elevational view thereof;

FIG. 5 is a top plan view thereof; and

FIG. 6 is a bottom plan view thereof.



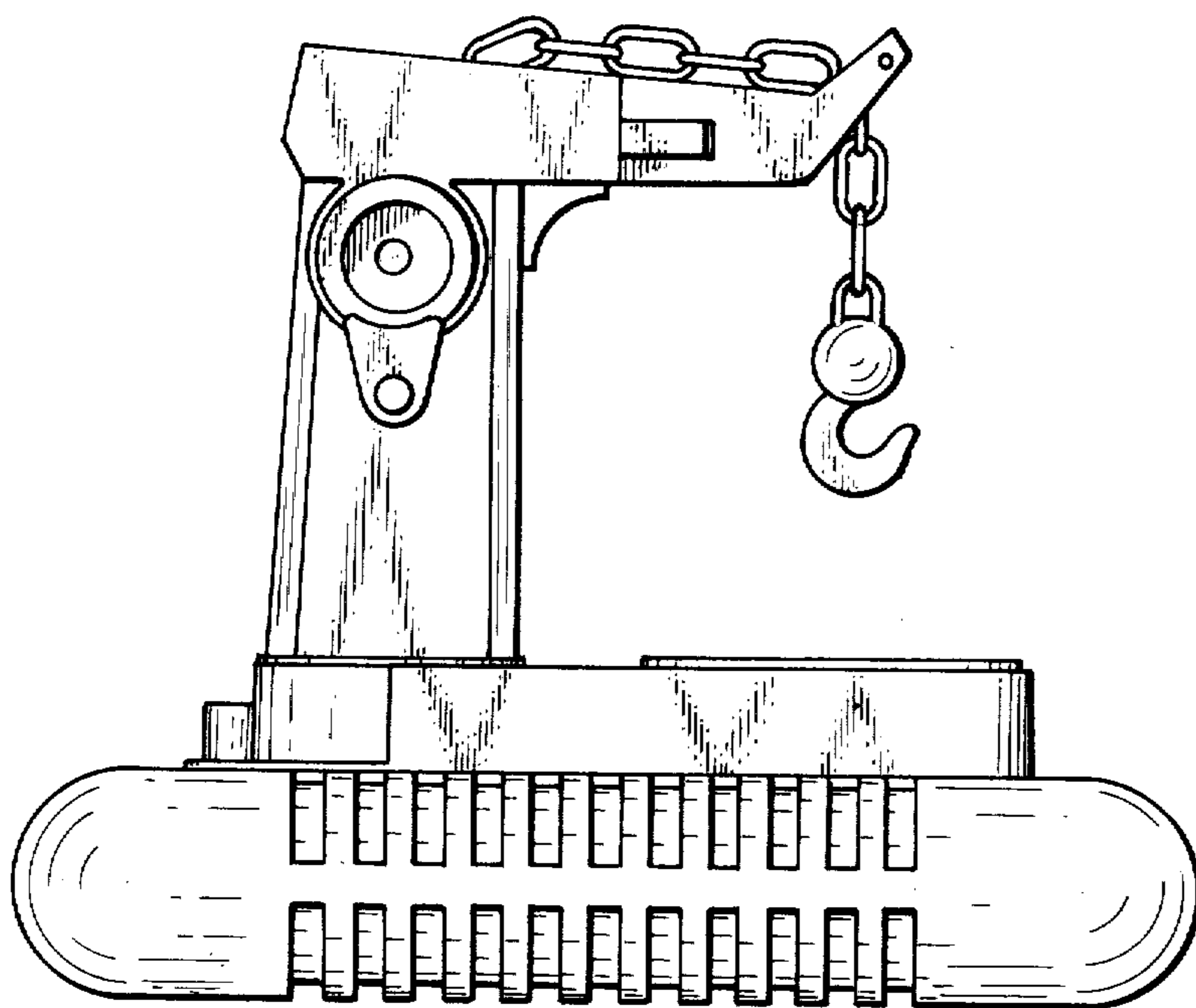


FIG. 1

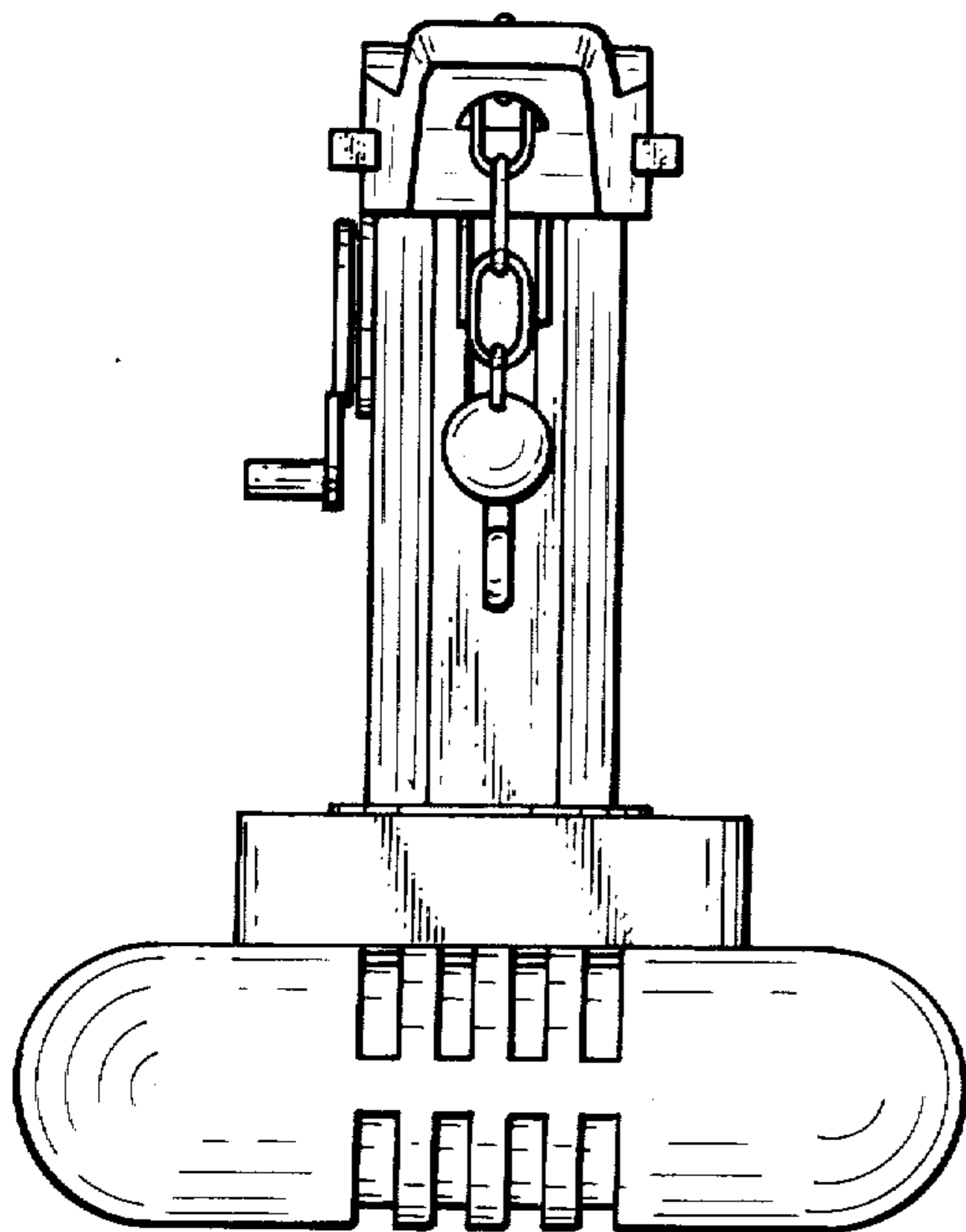


FIG. 2

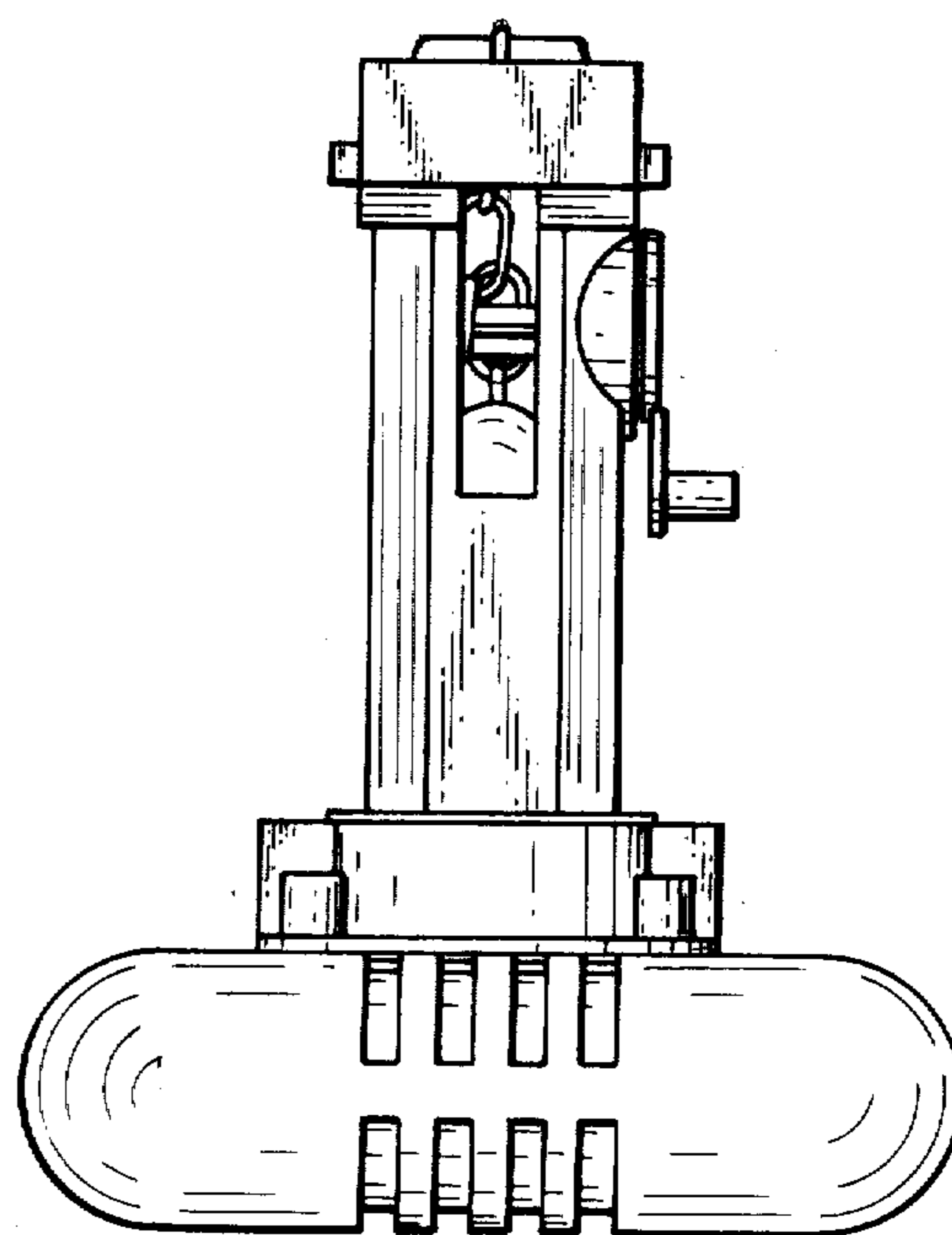


FIG. 3

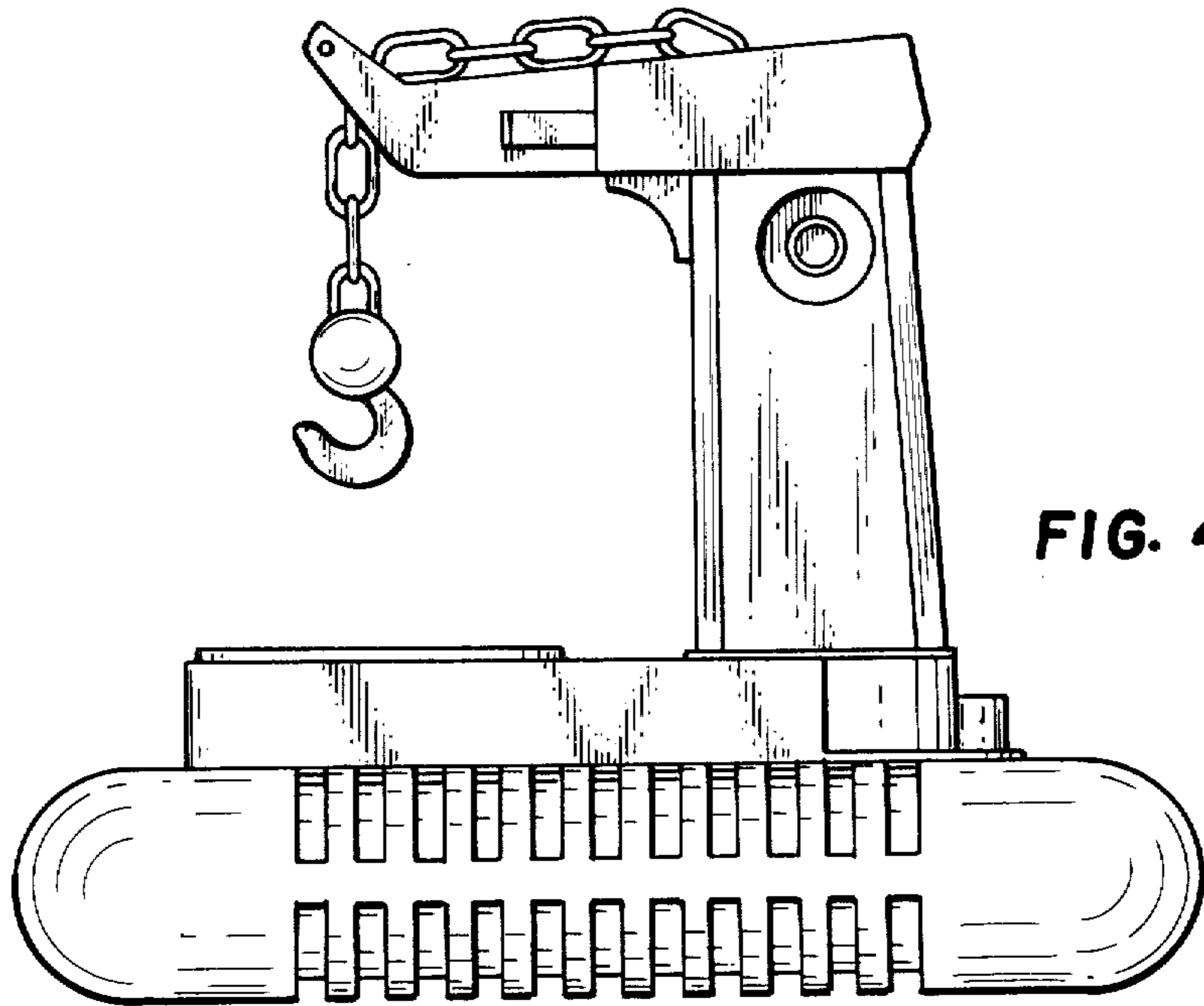


FIG. 4

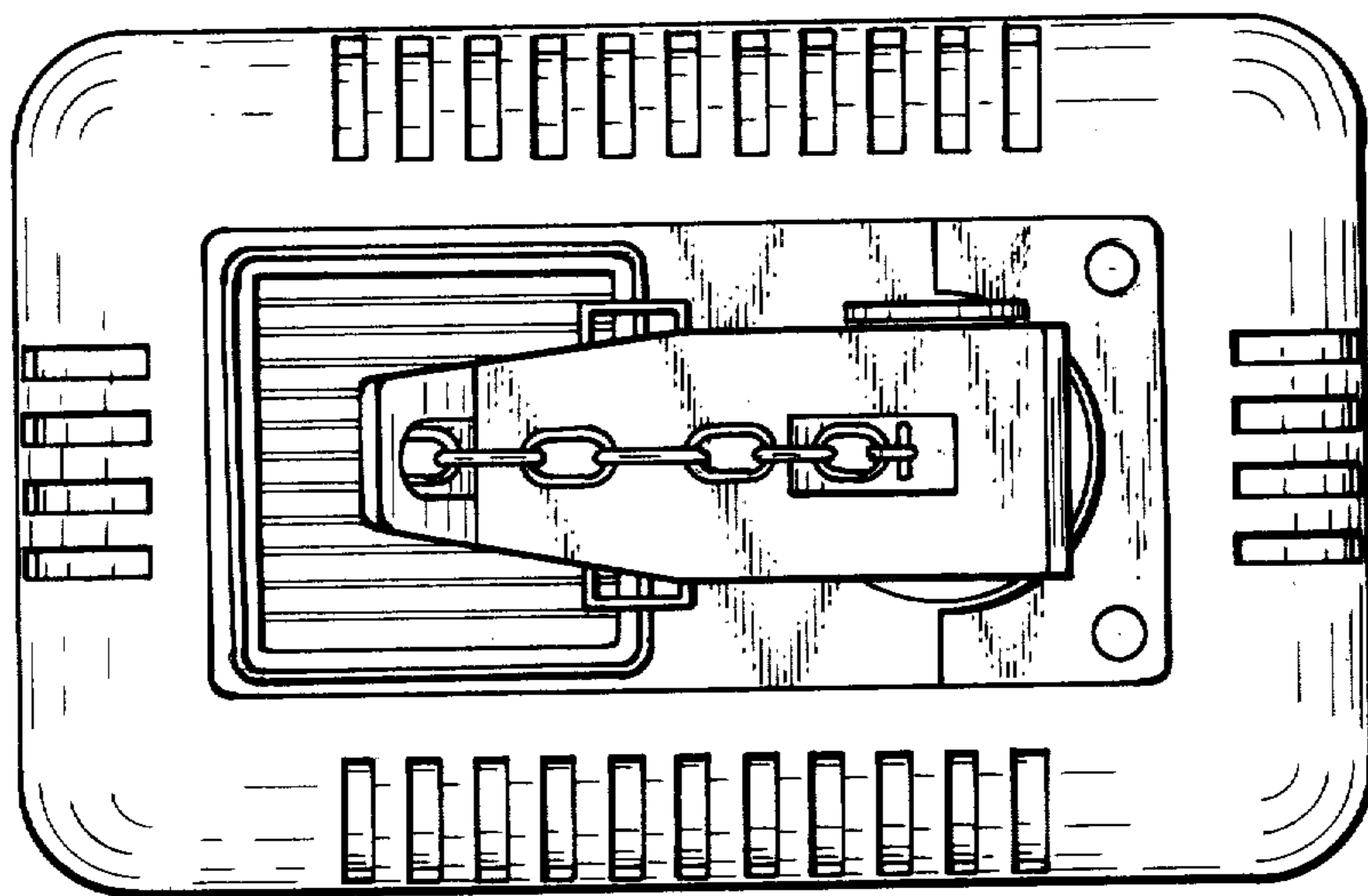


FIG. 5

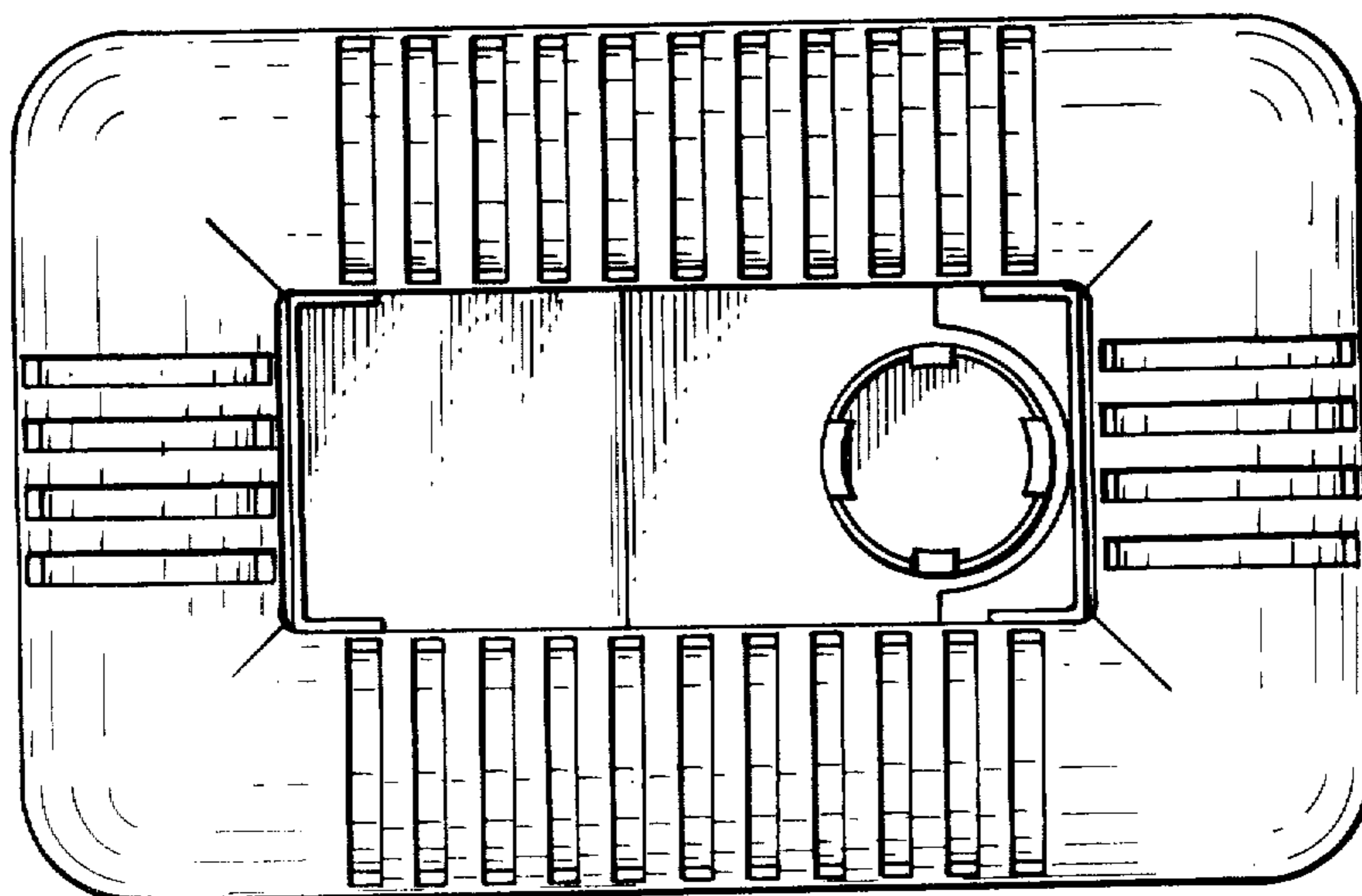


FIG. 6