

[54] TOY POWER DRILL

[75] Inventor: Ronald R. Klawitter, Hermann, Mo.

[73] Assignee: Steven Manufacturing Company, Hermann, Mo.

[**] Term: 14 Years

[21] Appl. No.: 896,786

[22] Filed: Apr. 17, 1978

[51] Int. Cl. D21-01

[52] U.S. Cl. D21/120; D8/68

[58] Field of Search D21/64, 59, 109, 124; D8/68; 46/1 R, 39, 40; D15/139; 408/199, 227, 204

[56] References Cited

U.S. PATENT DOCUMENTS

2,451,650 10/1949 Atkin D8/68
2,829,285 4/1958 Steiner et al. 46/39

FOREIGN PATENT DOCUMENTS

832046 4/1960 United Kingdom 46/39

OTHER PUBLICATIONS

Product Engineering, 2/1967, p. 21, Drill.
Sioux Flier, 8-1978, Item #1481, Reversible Drill.

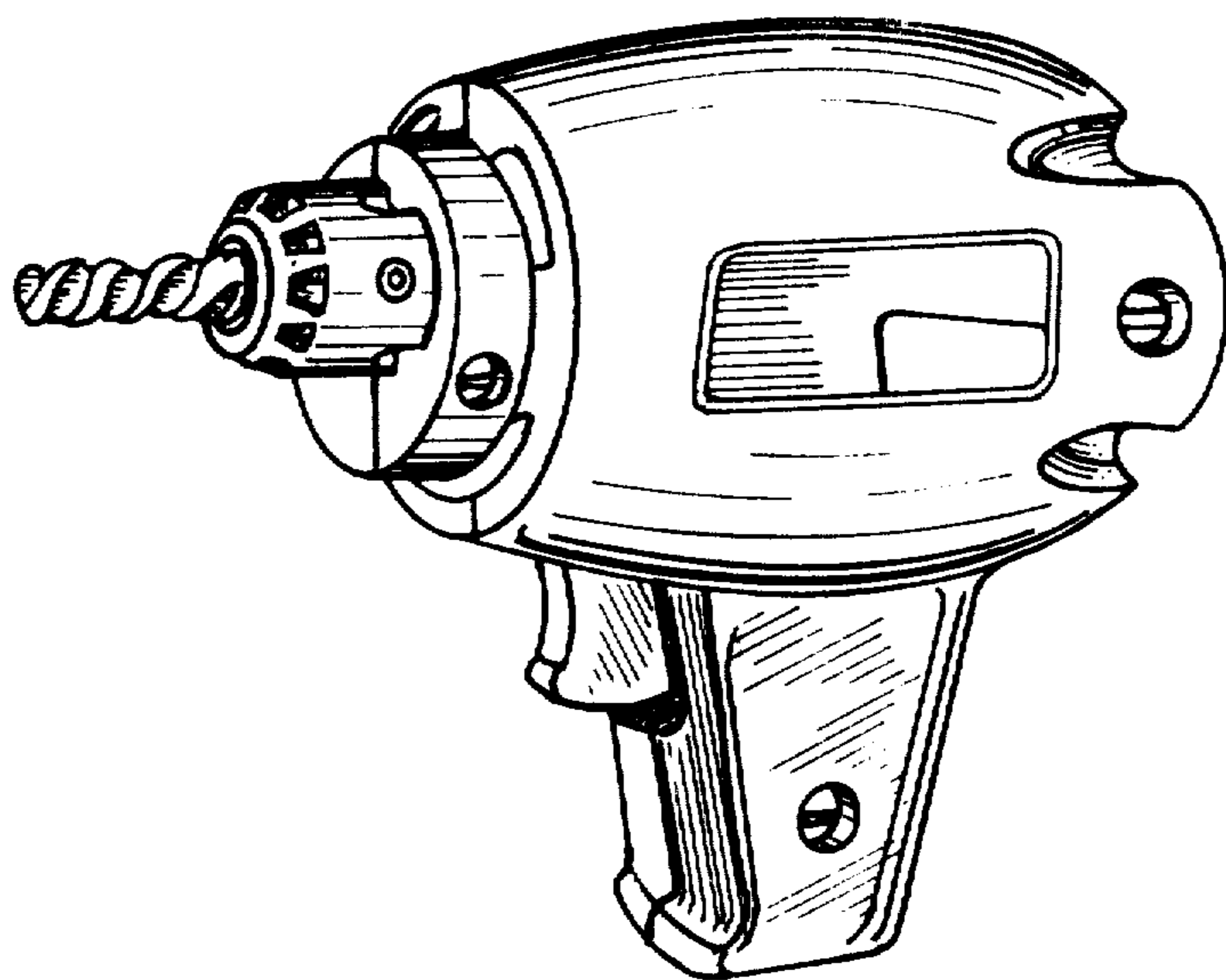
Primary Examiner—Charles A. Rademaker
Attorney, Agent, or Firm—Polster, Polster and Lucchesi

[57] CLAIM

The ornamental design for a toy power drill, as shown and described.

DESCRIPTION

FIG. 1 is a perspective view of a toy power drill showing my new design;
FIG. 2 is a right side elevational view thereof, the side opposite being substantially a mirror image;
FIG. 3 is a top plan view thereof;
FIG. 4 is a bottom plan view thereof;
FIG. 5 is a front elevational view thereof; and,
FIG. 6 is a rear elevational view thereof.



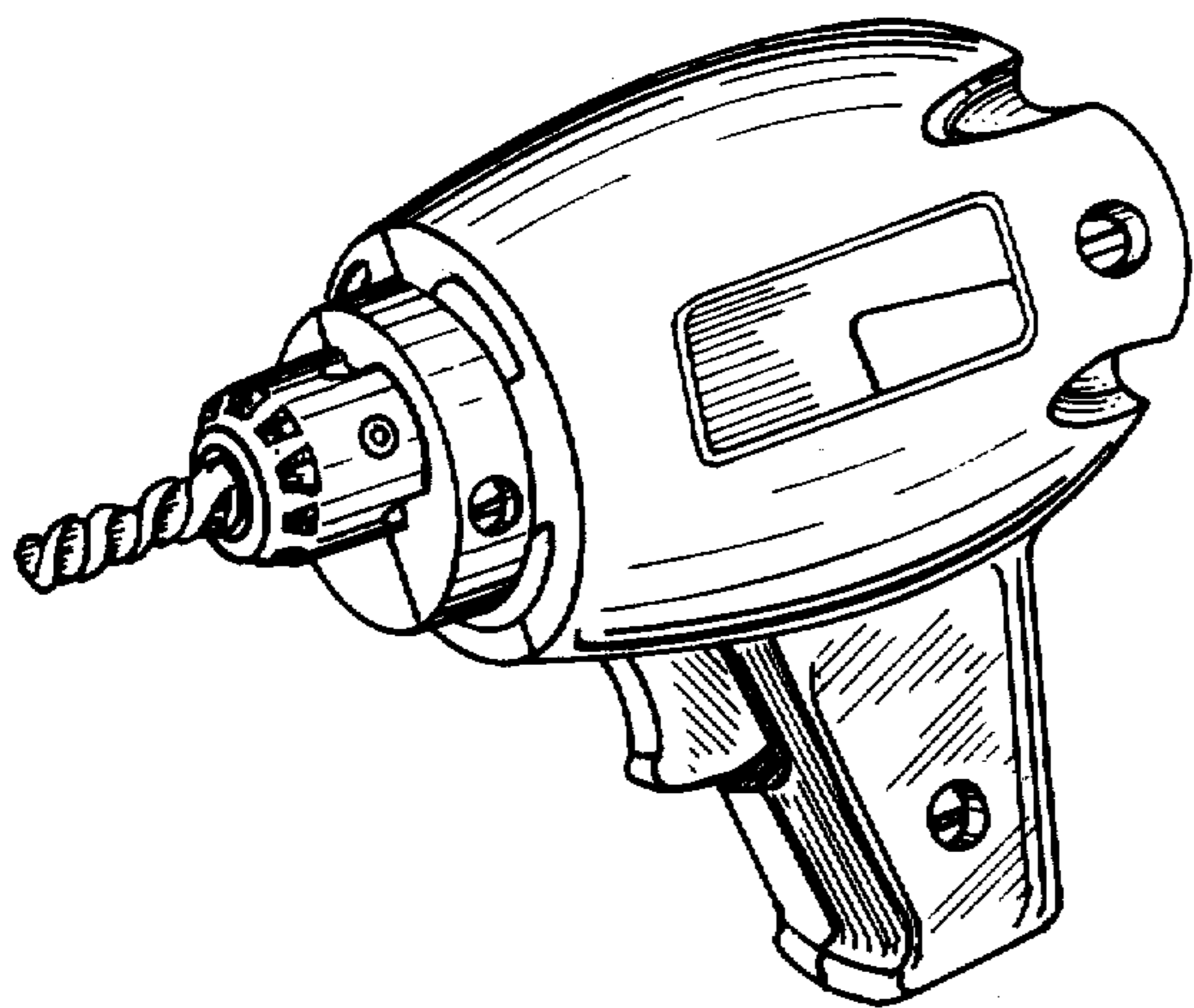


FIG. 1.

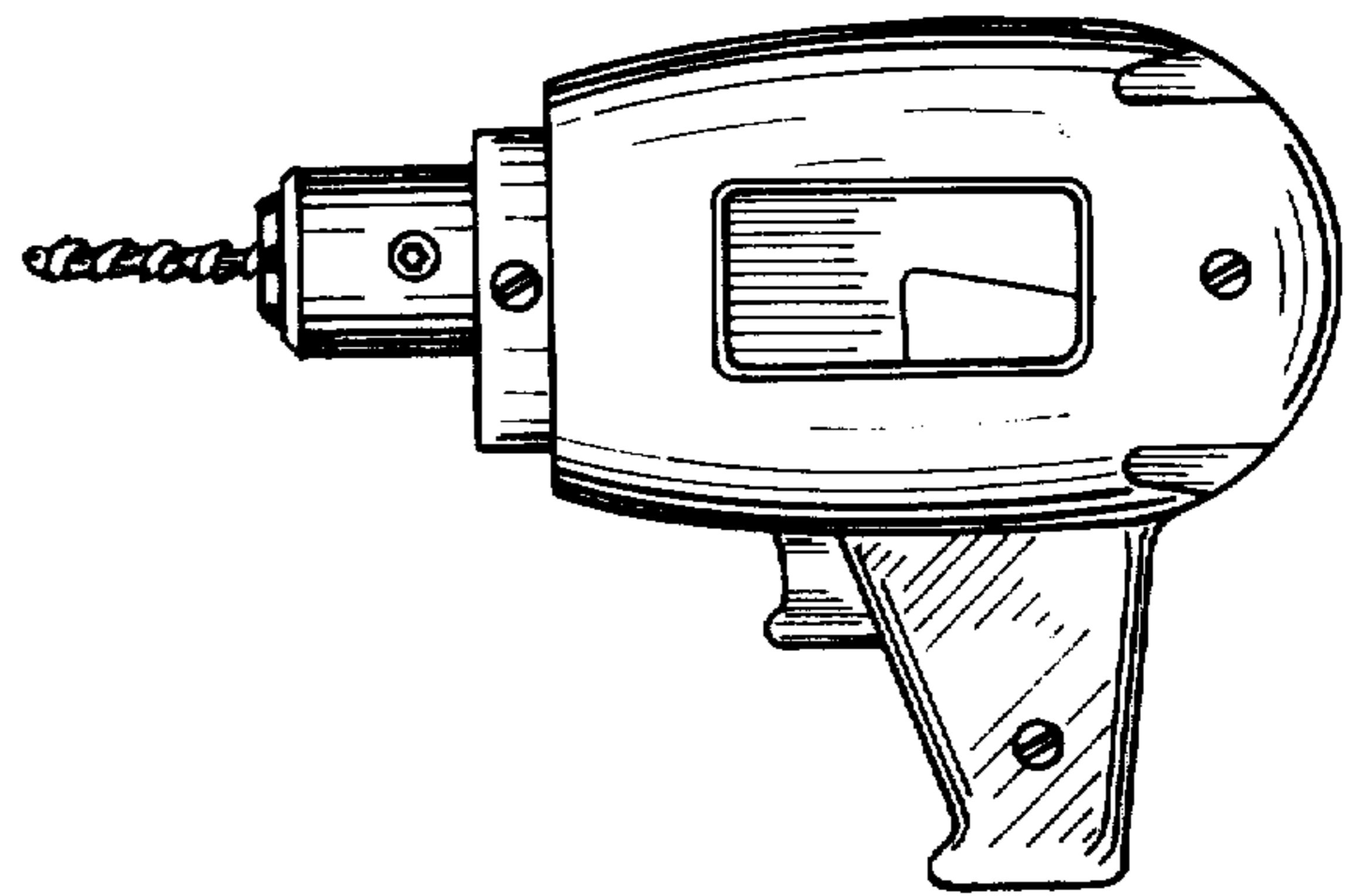


FIG. 2.

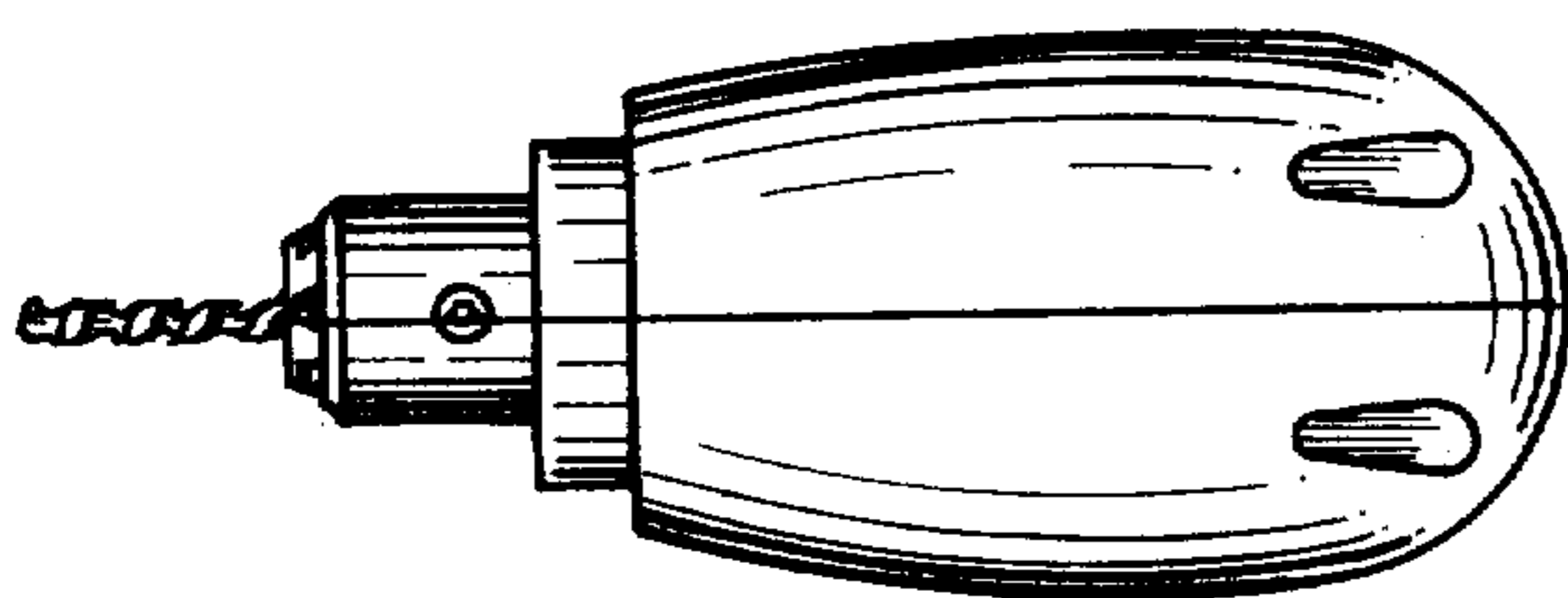


FIG. 3.

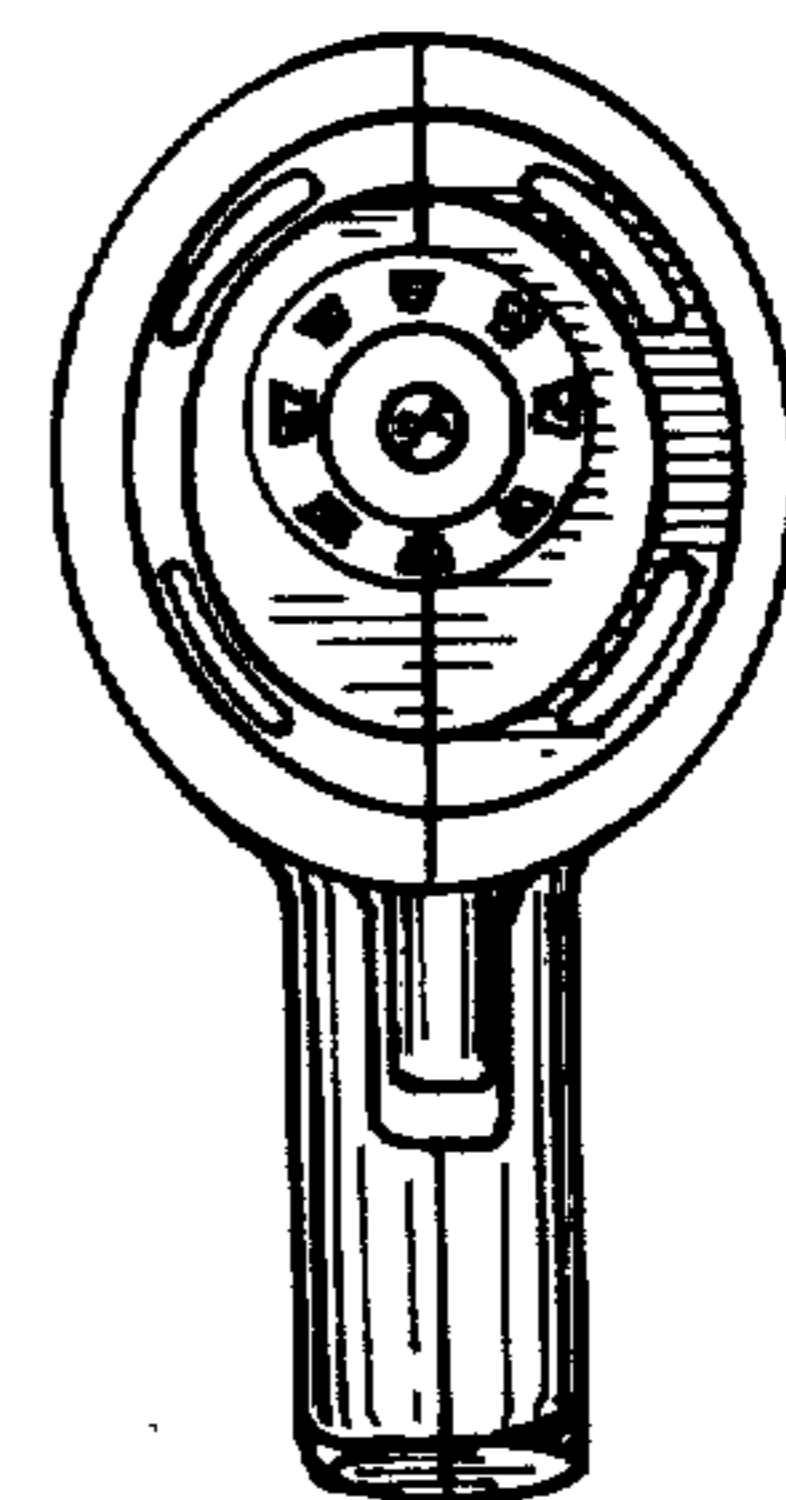


FIG. 5.

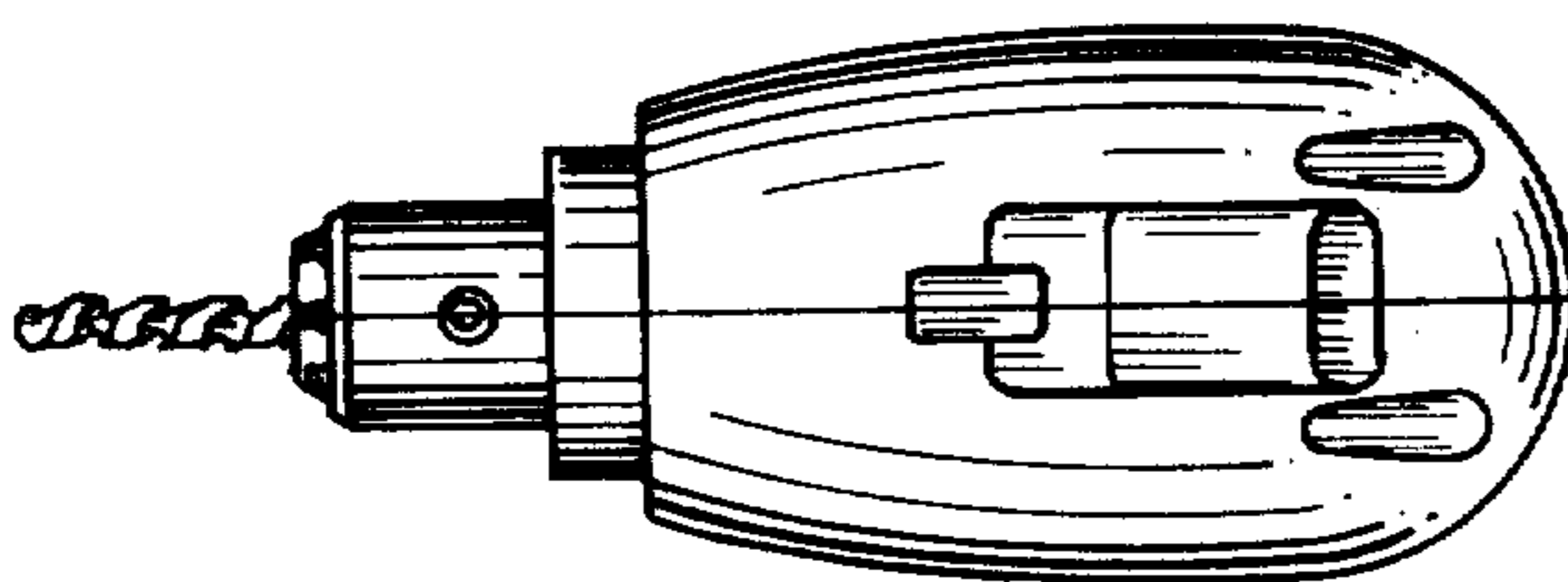


FIG. 4.

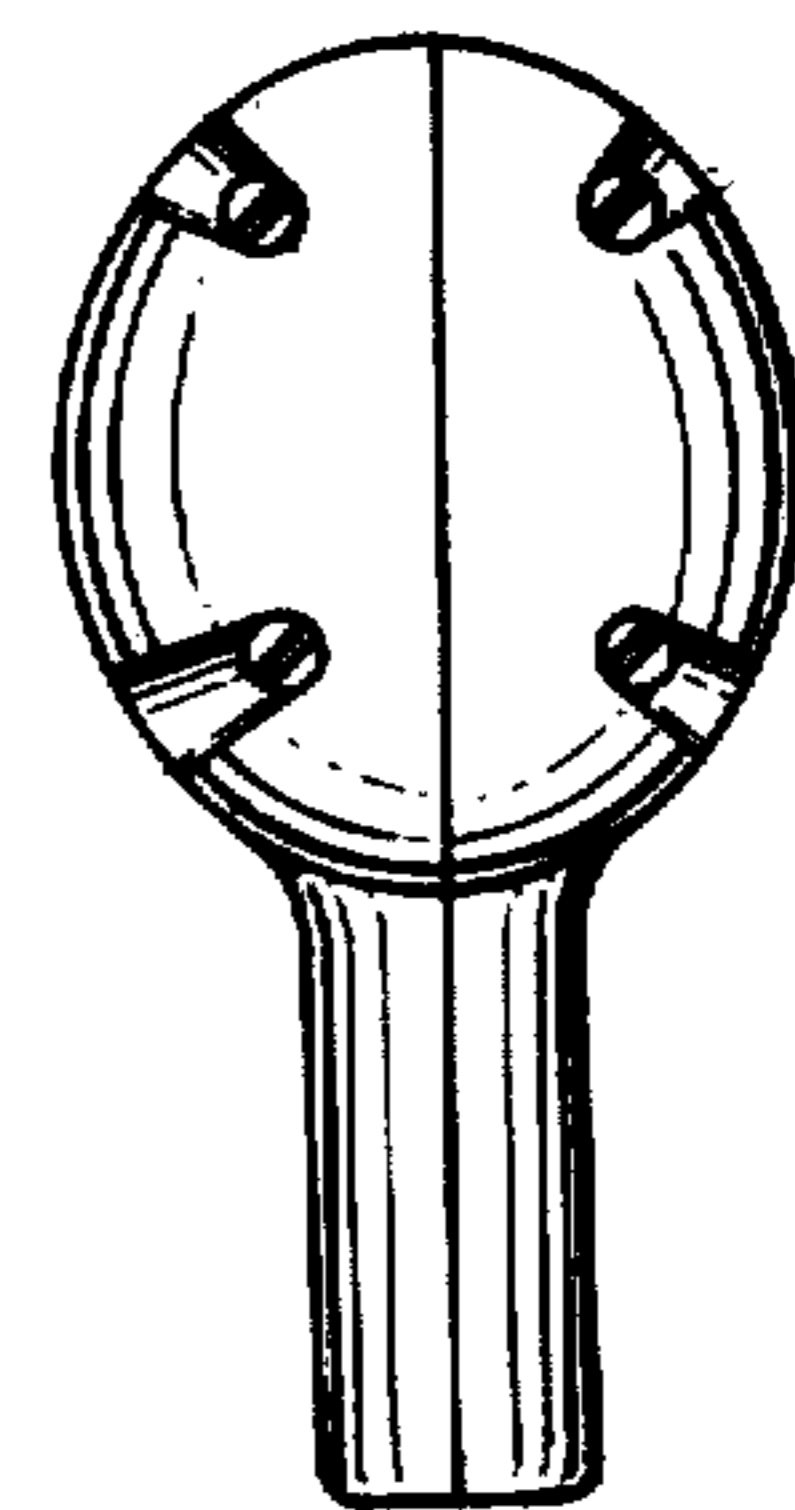


FIG. 6.