

[54] TOY FIRE PLUG

[76] Inventor: Robert P. Skubic, 1005 Grant St., Clawson, Mich. 48017

[\*\*] Term: 14 Years

[21] Appl. No.: 126,291

[22] Filed: Mar. 3, 1980

[51] Int. Cl. .... D21-01

[52] U.S. Cl. .... D21/109

[58] Field of Search ..... D23/12; D99/34, 37, D99/38, 36; D21/59, 109, 124; 46/1 R, 2; D30/17, 42, 44; 232/4 R; 137/301, 281, 296, 294

[56] References Cited

U.S. PATENT DOCUMENTS

D. 212,154	9/1968	Benjamin	.....	D23/38
D. 240,062	5/1976	Satten	.....	D19/59
D. 245,032	7/1977	Hoffmann	.....	D30/44
3,916,939	11/1975	Gillard	.....	137/296

OTHER PUBLICATIONS

Mueller Catalog, 6-1960, Fire Hydrant.  
American City & County, 4-1979, p. 2, Fire Hydrant near center of page.

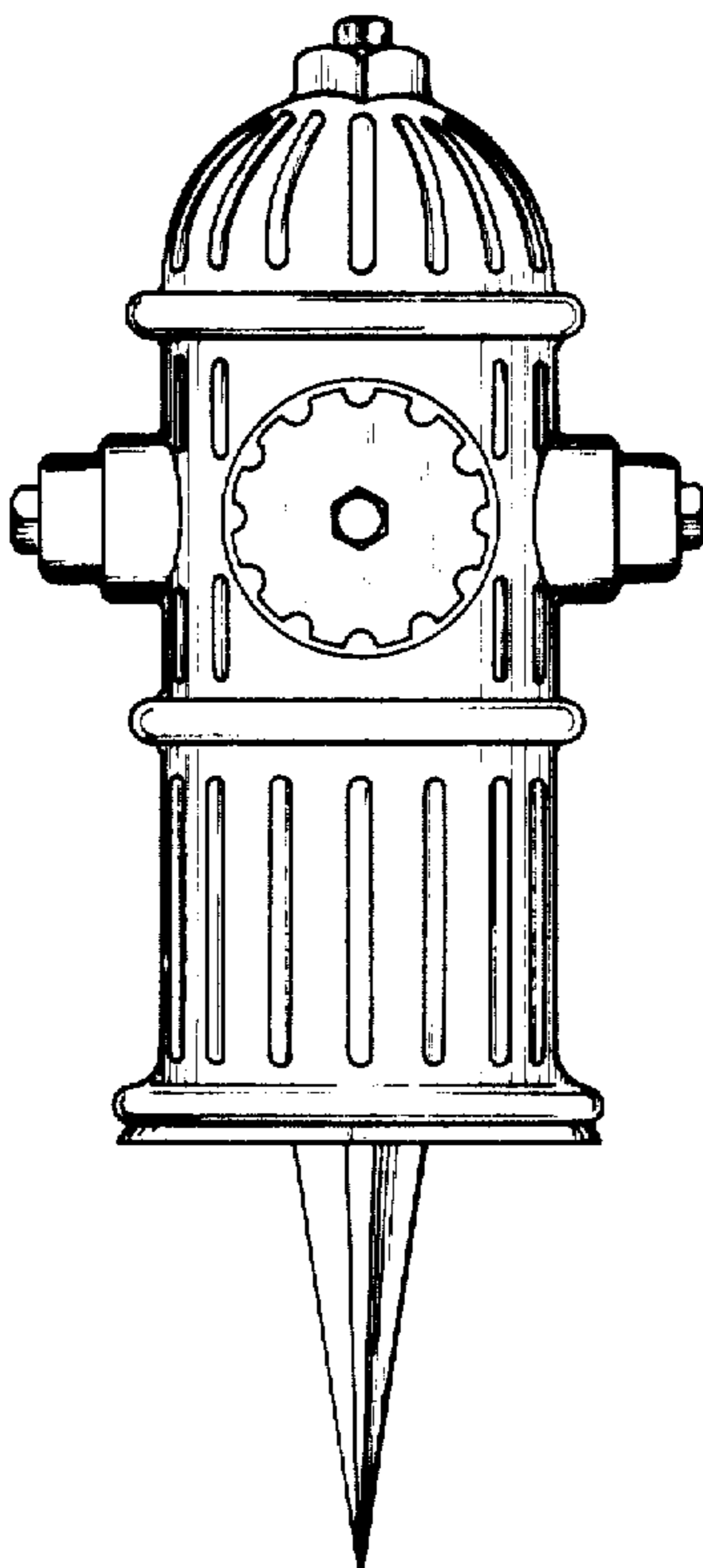
Primary Examiner—Charles A. Rademaker  
Attorney, Agent, or Firm—Gifford, VanOphem, Sheridan & Sprinkle

[57] CLAIM

The ornamental design for a toy fire plug, as shown and described.

DESCRIPTION

FIG. 1 is a front elevational view of a toy fire plug showing my new design;  
FIG. 2 is a right side elevational view thereof, the side opposite being substantially a mirror image;  
FIG. 3 is a rear elevational view thereof;  
FIG. 4 is a top plan view thereof; and,  
FIG. 5 is a bottom plan view thereof.  
Portions of the support member have been shown in fragment in FIG. 2 for ease of illustration.



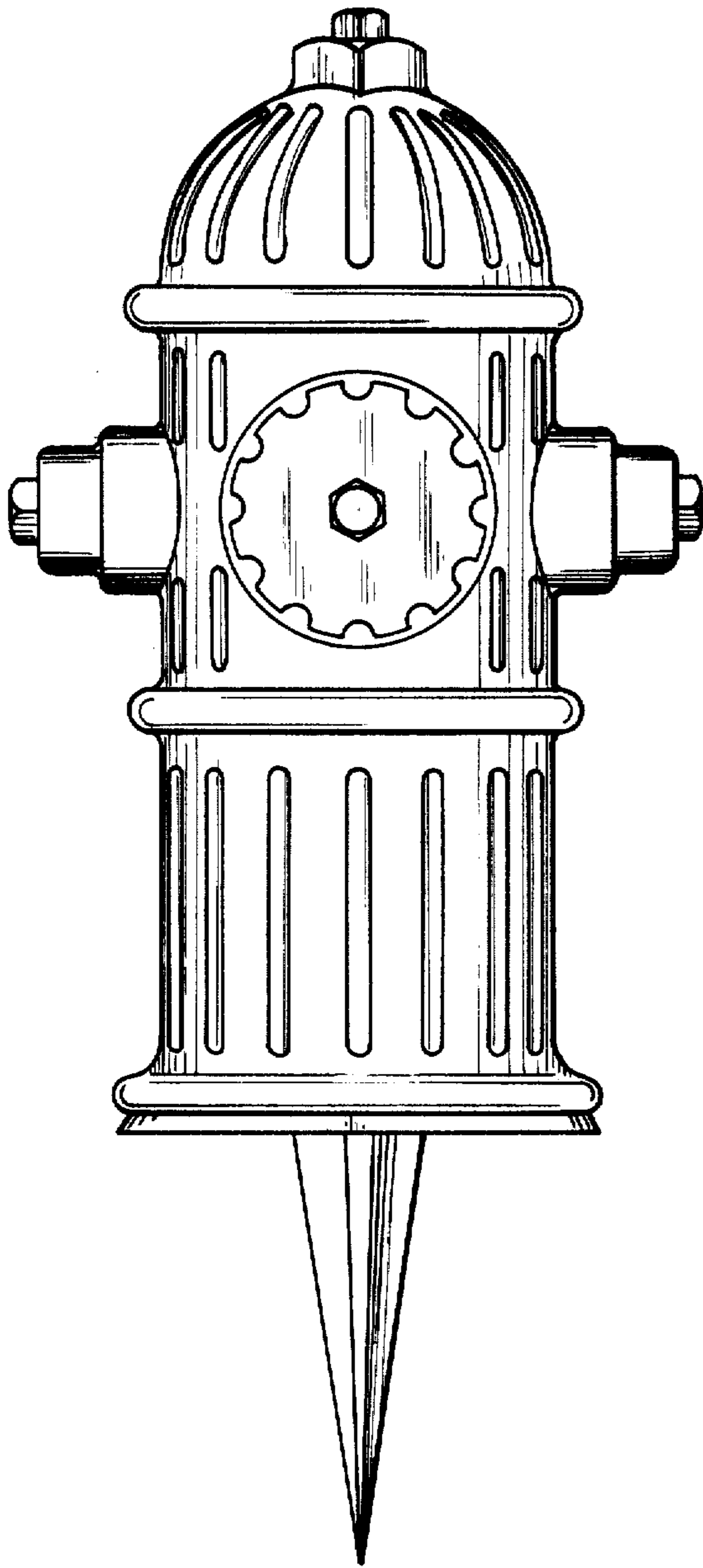
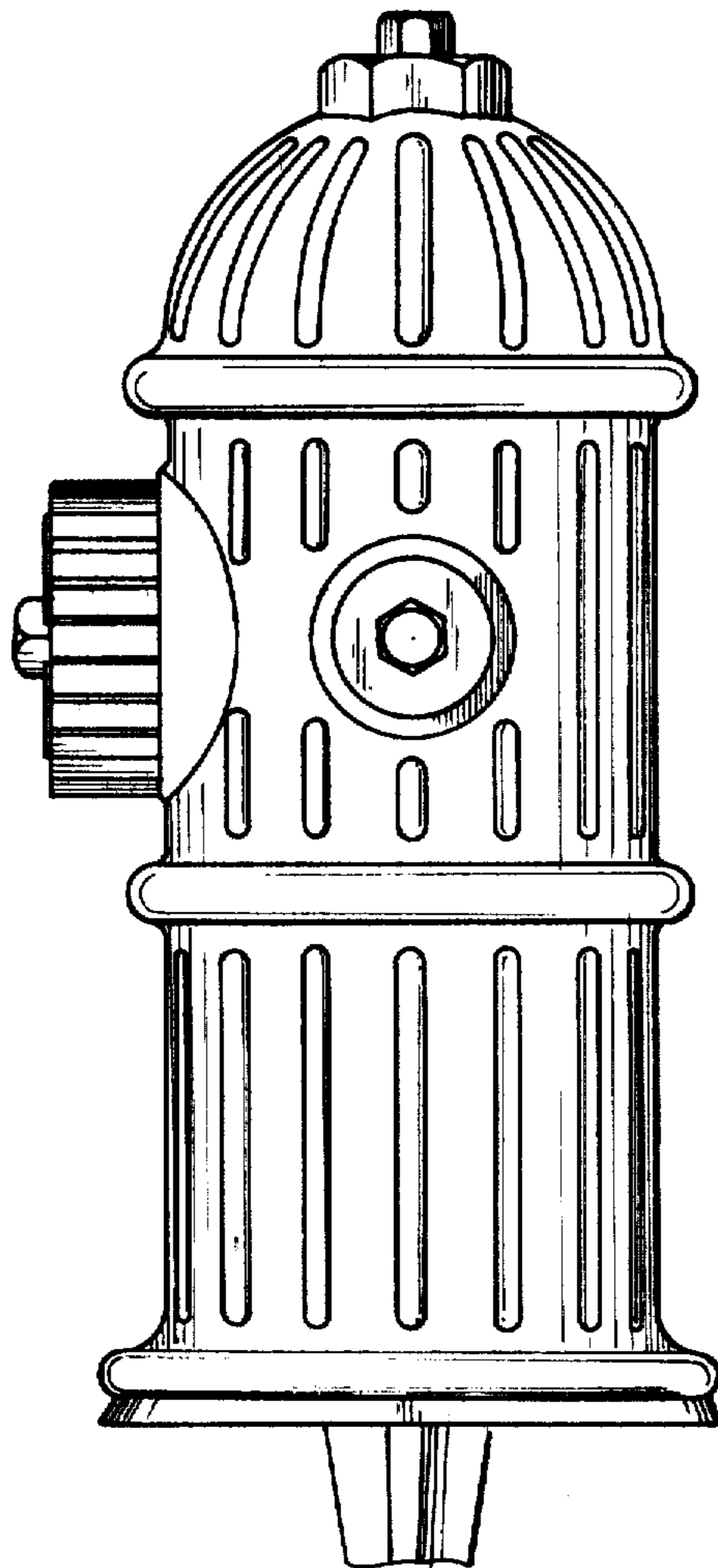


Fig-2

Fig-1



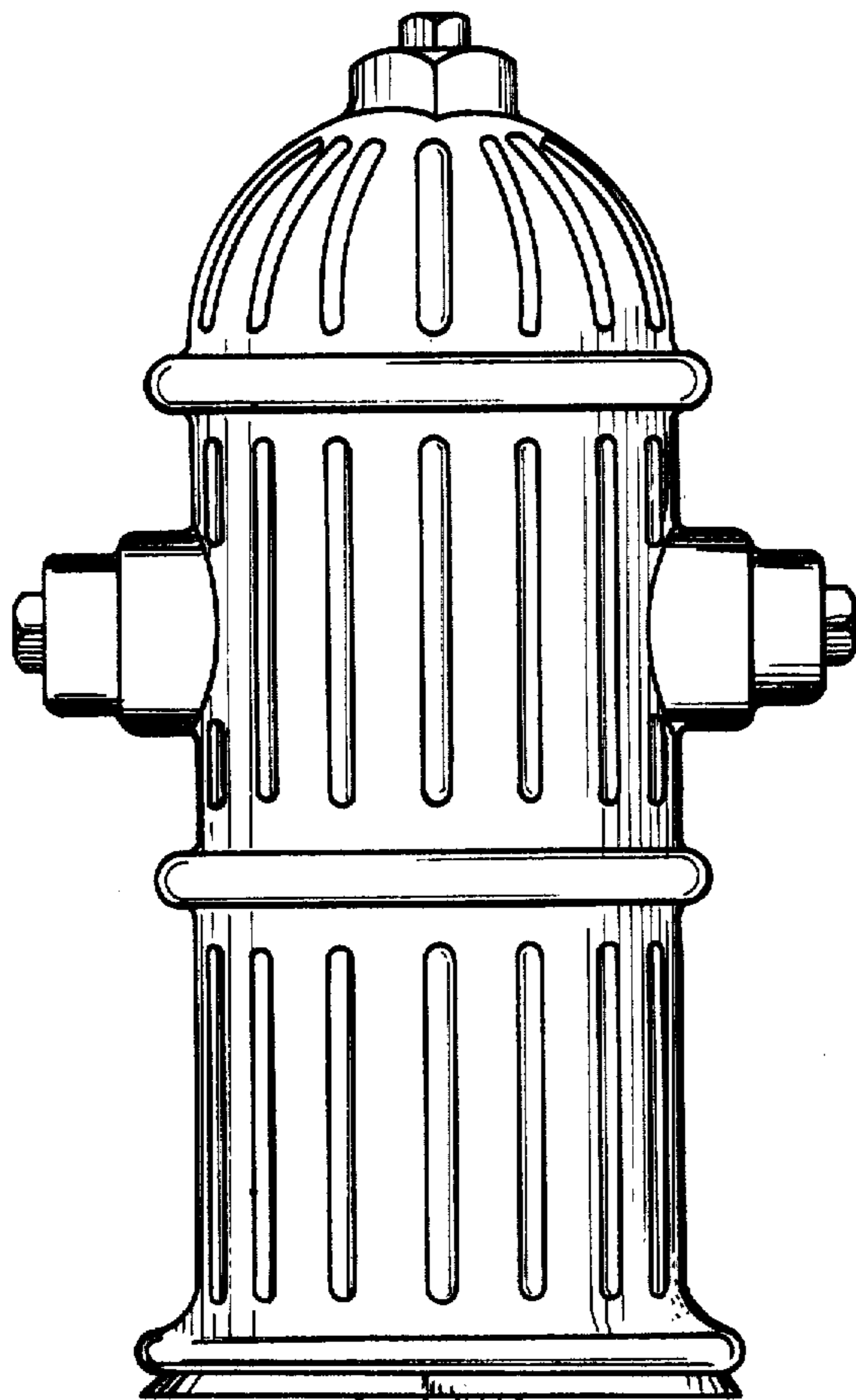


Fig-3

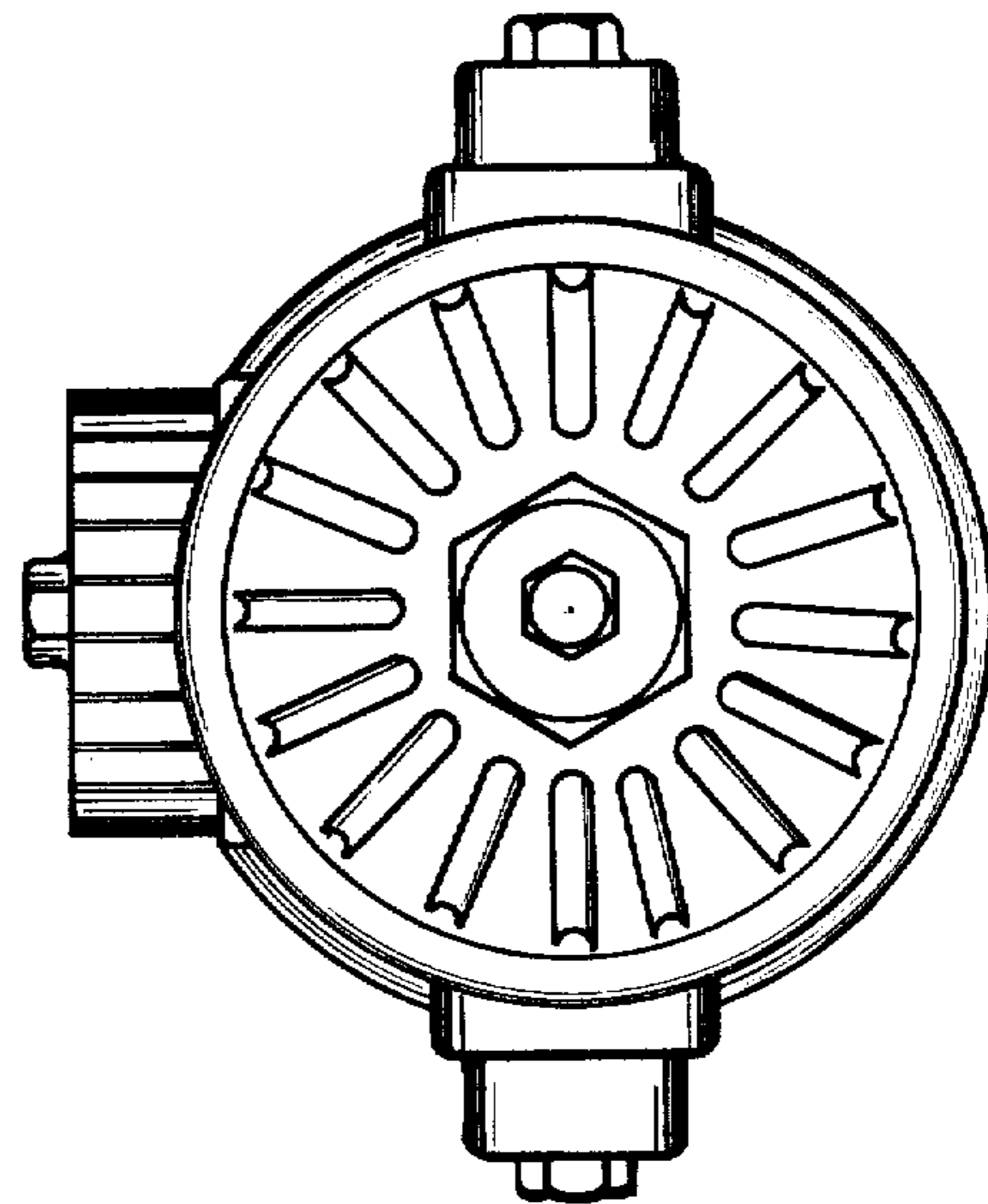


Fig-4

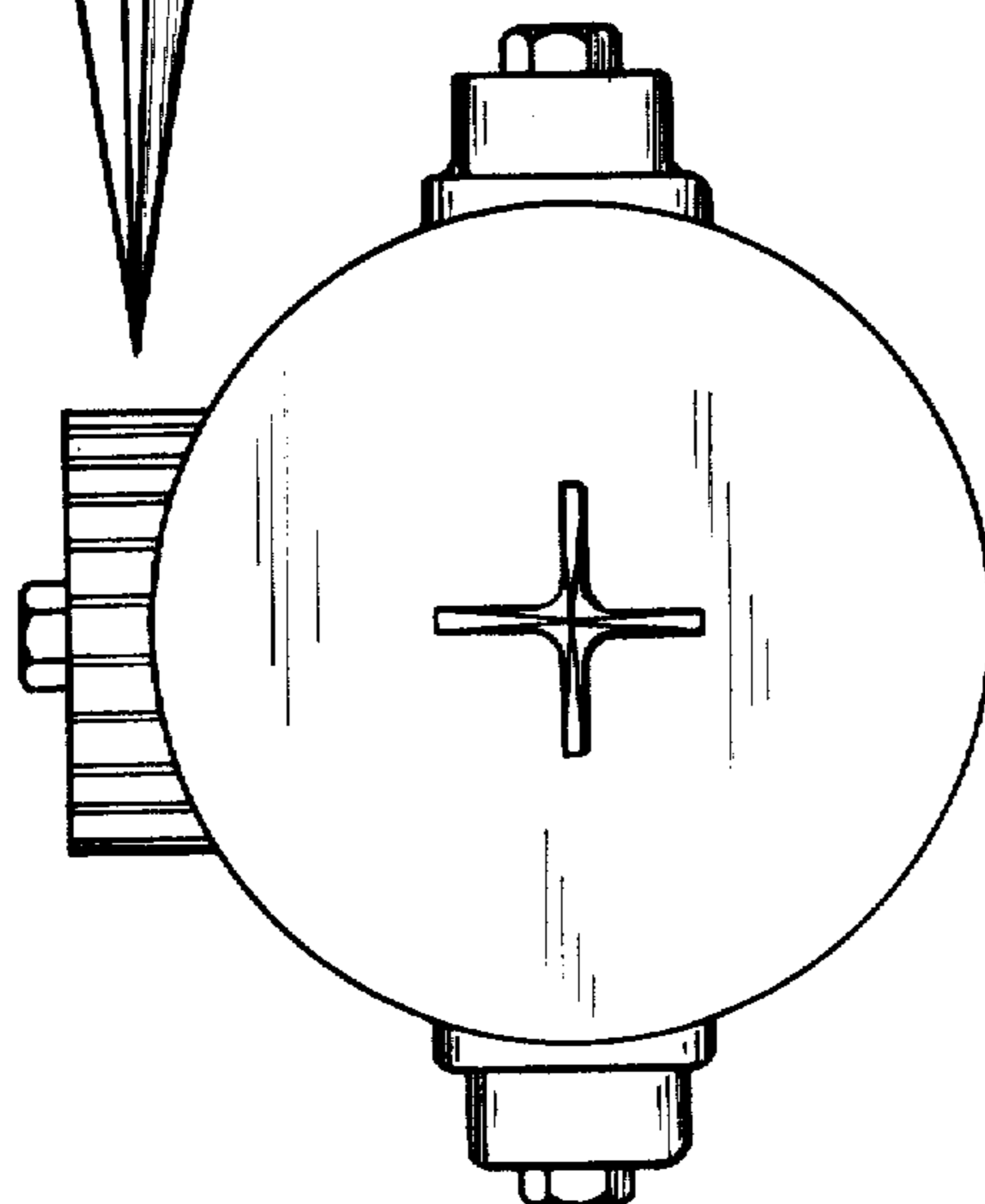


Fig-5