

[54] KINETIC SCULPTURE

[76] Inventor: **Hidetoshi Matsui**, 6-27-311,  
Imazunaka 3-chome, Tsurumi-ku,  
Osaka, Japan

[\*\*] Term: **14 Years**

[21] Appl. No.: **75,294**

[22] Filed: **Sep. 12, 1979**

[30] **Foreign Application Priority Data**

Jun. 21, 1979 [JP] Japan ..... 54-26377

[51] Int. Cl. .... **D11-02**

[52] U.S. Cl. .... **D21/102; D11/160**

[58] Field of Search ..... **D11/141, 160; D21/62,  
D21/102, 166; 461/131, 155**

[56] **References Cited**

**U.S. PATENT DOCUMENTS**

D. 213,406 2/1969 Davis ..... **D11/160 X**  
4,009,534 3/1977 Bradt ..... **D11/160 X**

**FOREIGN PATENT DOCUMENTS**

266667 5/1950 Switzerland ..... 46/131

**OTHER PUBLICATIONS**

*The Balancing Man on a Can*, photo at top.

*Primary Examiner*—Louis S. Zarfes

*Attorney, Agent, or Firm*—Jordan and Hamburg

[57] **CLAIM**

The ornamental design for kinetic sculpture, as shown and described.

**DESCRIPTION**

FIG. 1 is a front elevational view of a kinetic sculpture showing my new design;

FIG. 2 is an elevational view looking from the right of FIG. 1;

FIG. 3 is an elevational view looking from the left of FIG. 1;

FIG. 4 is a rear elevational view;

FIG. 5 is a top plan view; and

FIG. 6 is a bottom plan view.

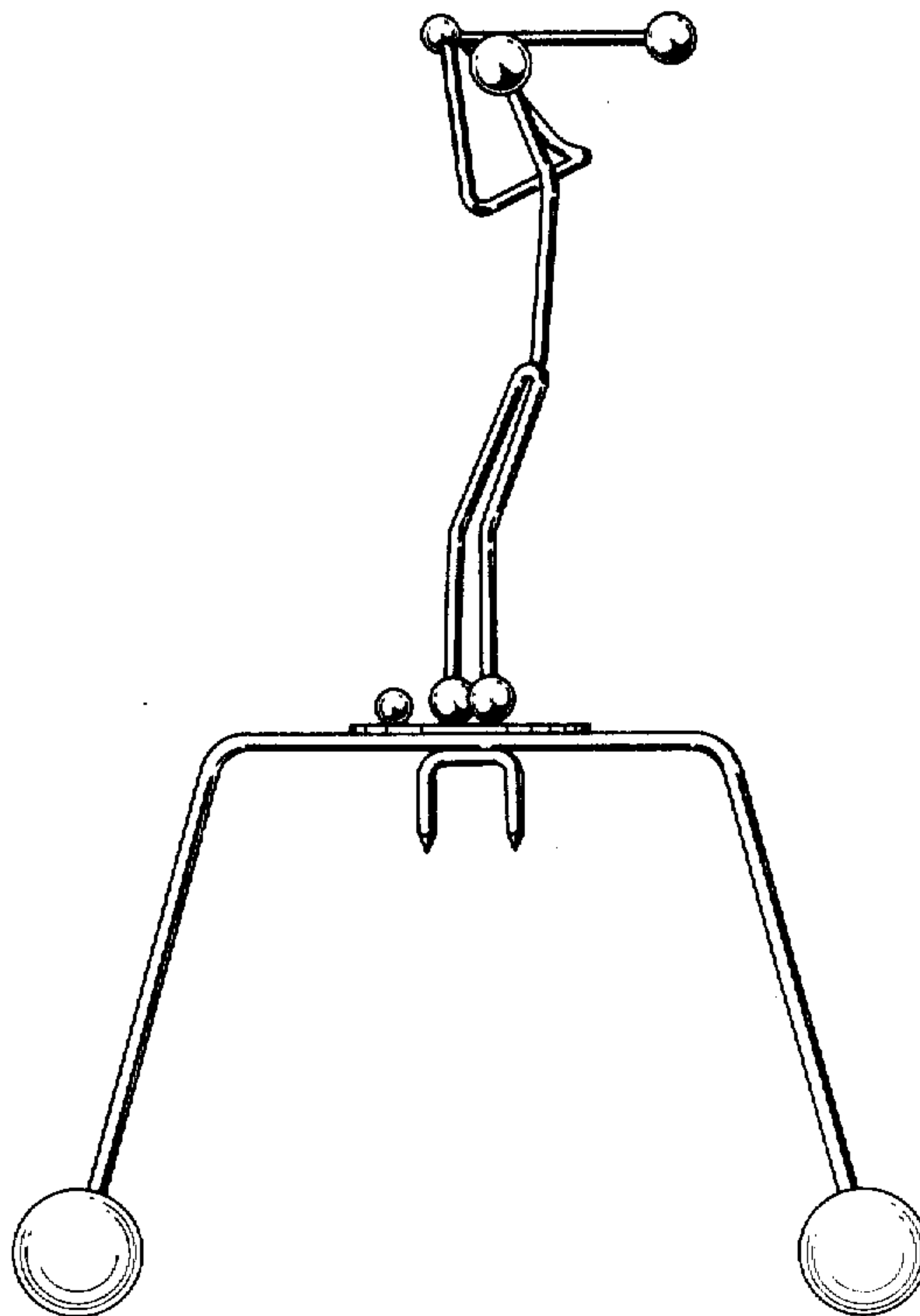


FIG. 1

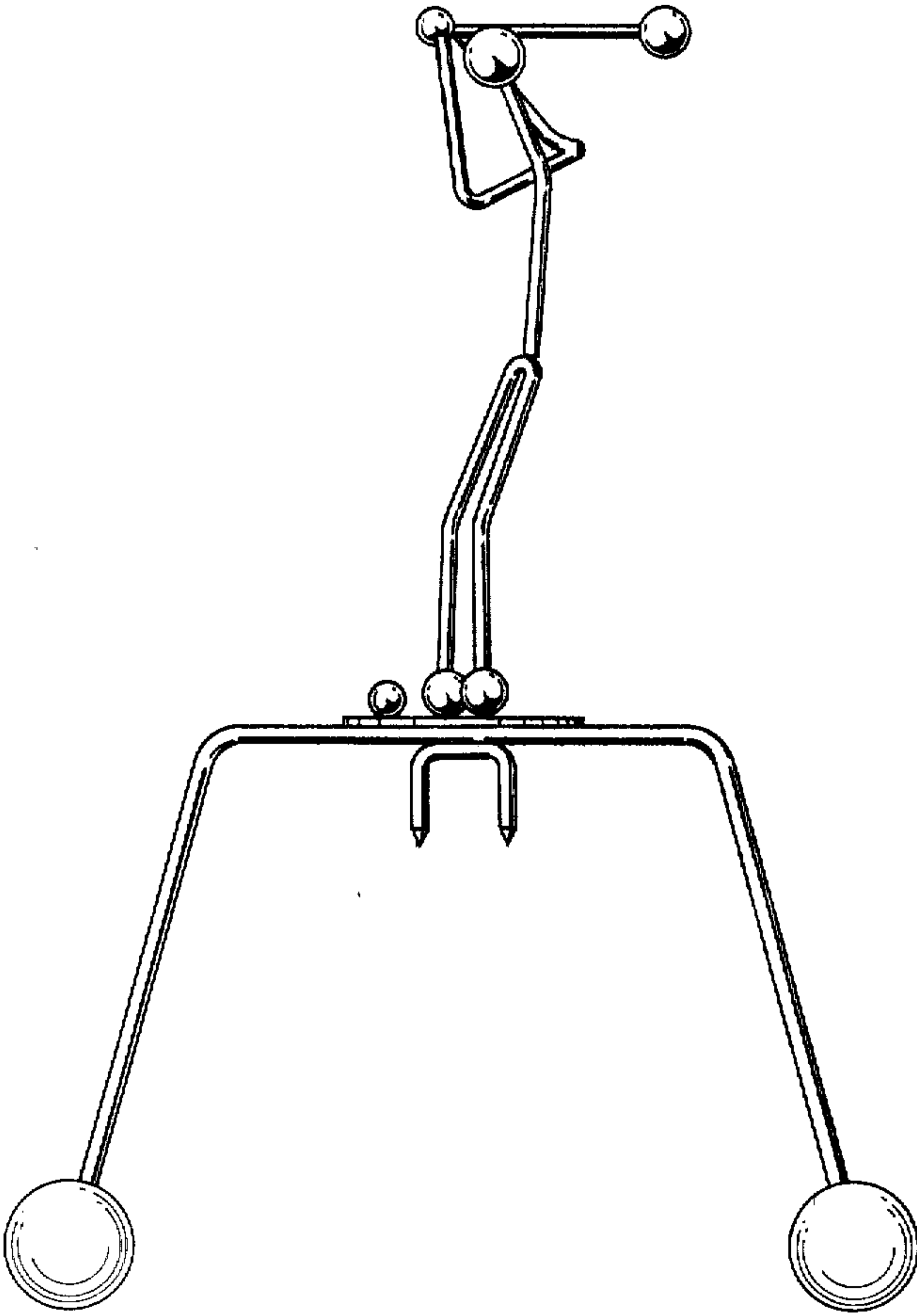


FIG. 2

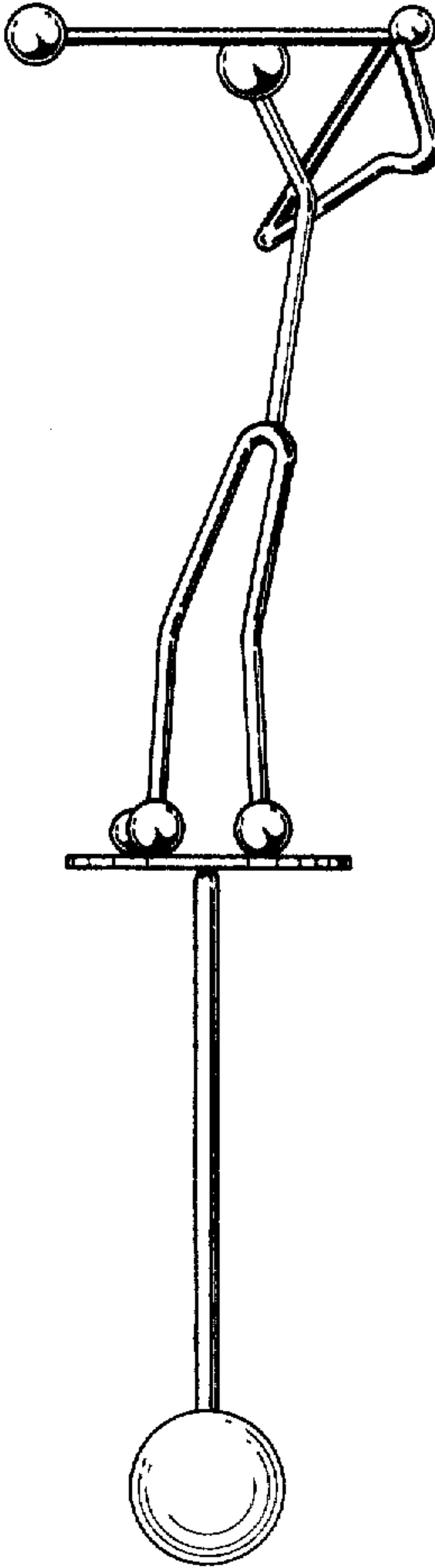


FIG. 5

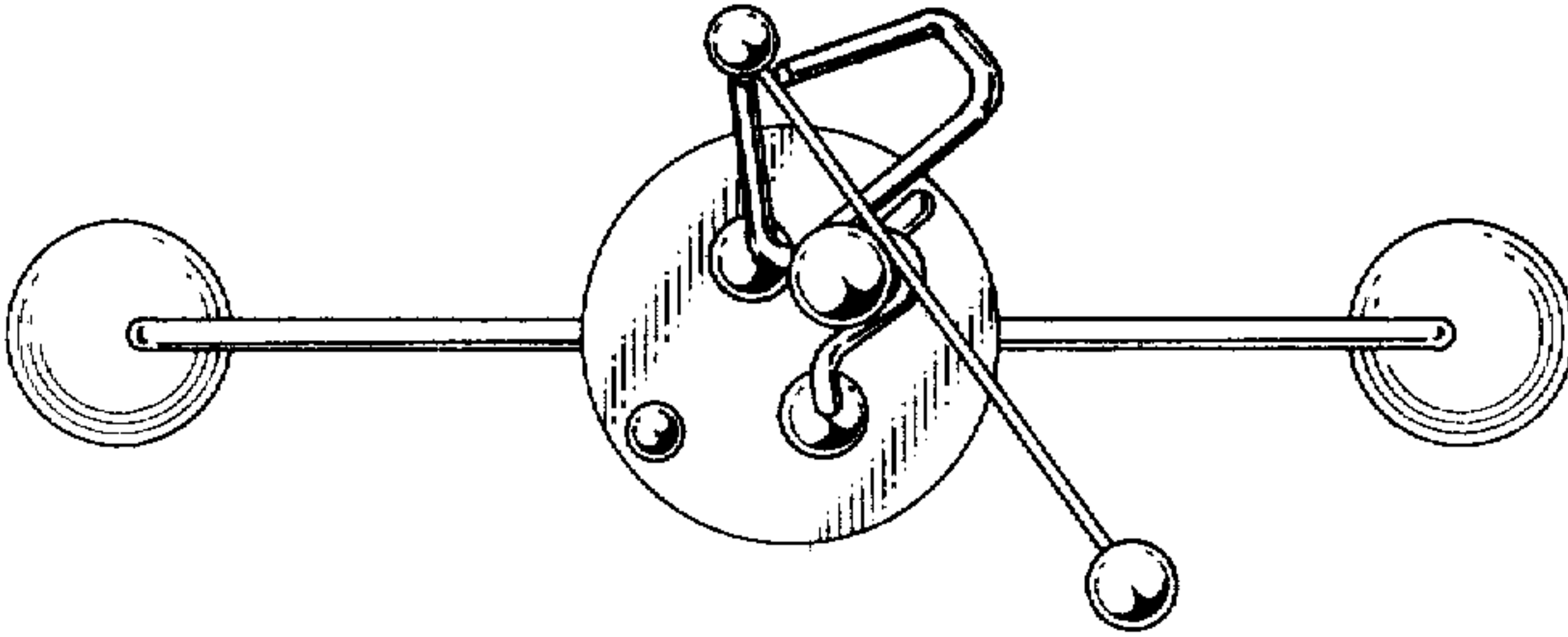


FIG. 3

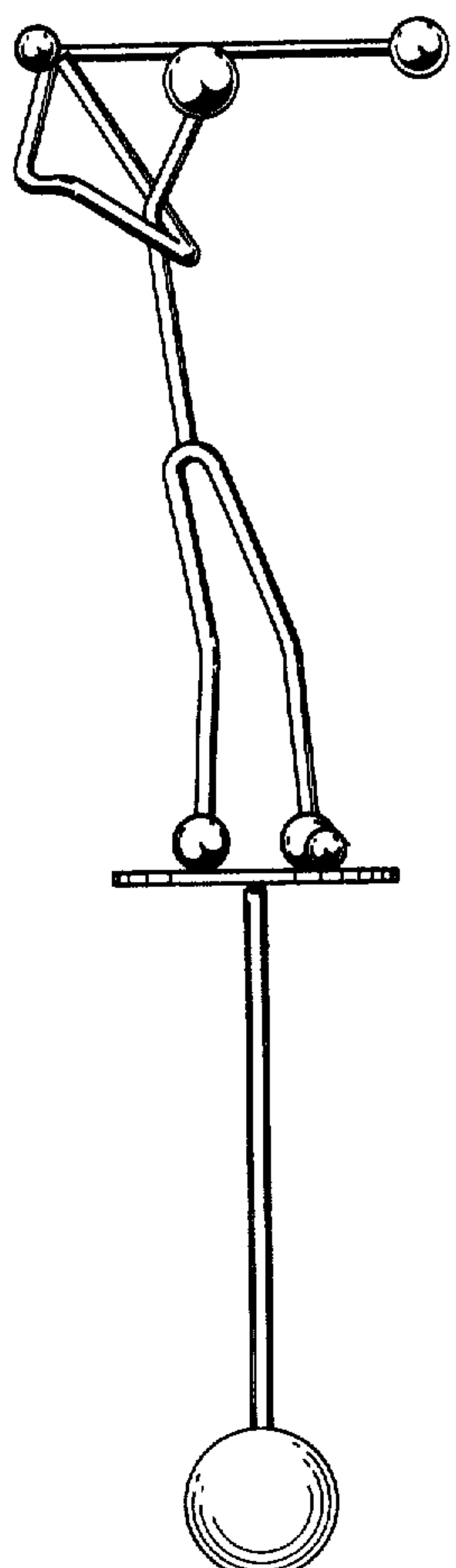


FIG. 4

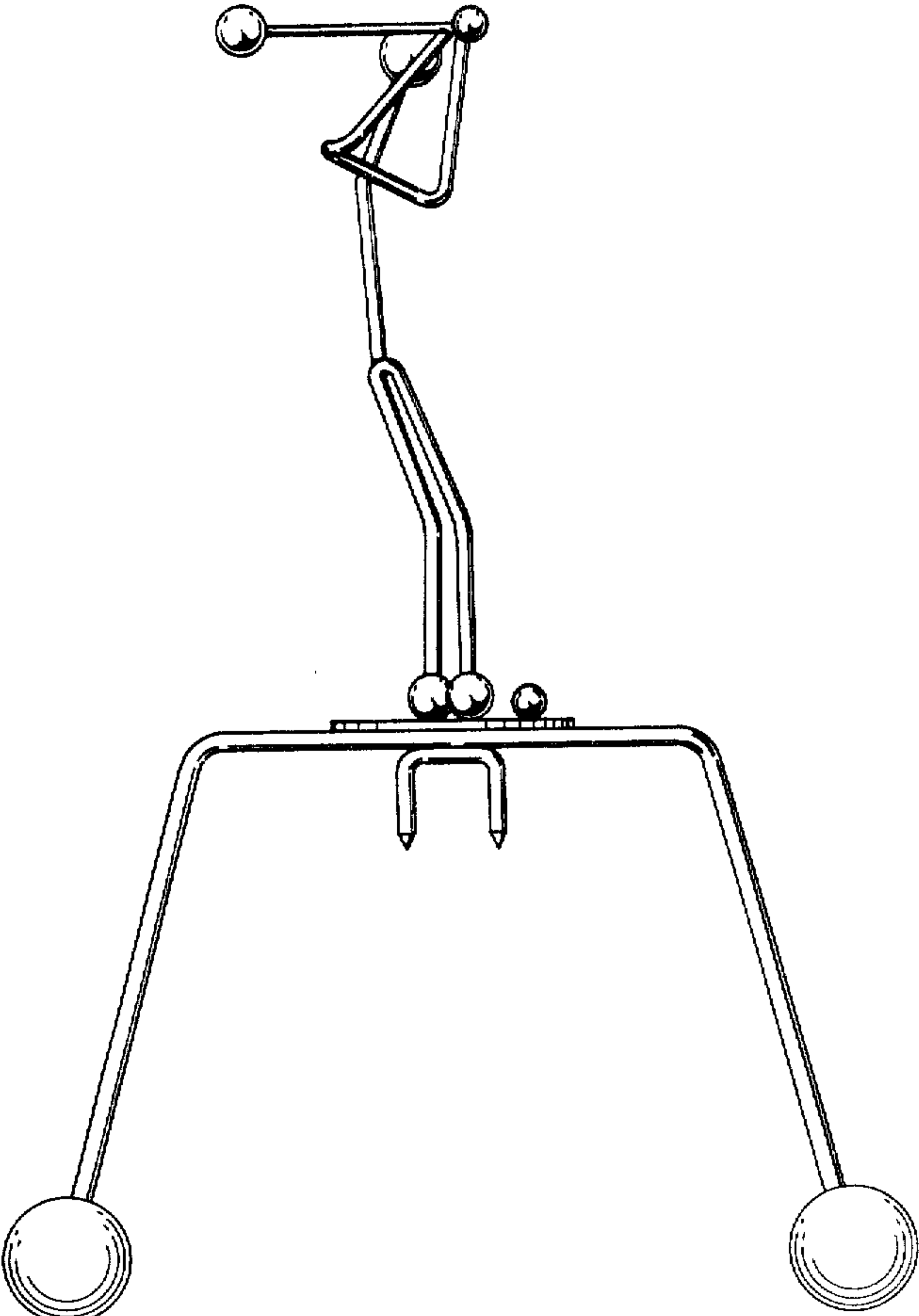


FIG. 6

