

[54] TOY HELICOPTER

[75] Inventor: Victor J. Fratarcangeli, East Aurora, N.Y.

[73] Assignee: The Quaker Oats Company, Chicago, Ill.

[**] Term: 14 Years

[21] Appl. No.: 111,287

[22] Filed: Jan. 11, 1980

[51] Int. Cl. D21-01

[52] U.S. Cl. D21/85

[58] Field of Search D21/85; 46/75, 76

[56] References Cited

U.S. PATENT DOCUMENTS

- D. 217,488 5/1970 Perhacs D21/85
- D. 247,985 5/1978 Breneman D21/85

OTHER PUBLICATIONS

Sears Xmas Catalog, 1973, p. 584, item #1, Giant Helicopter.

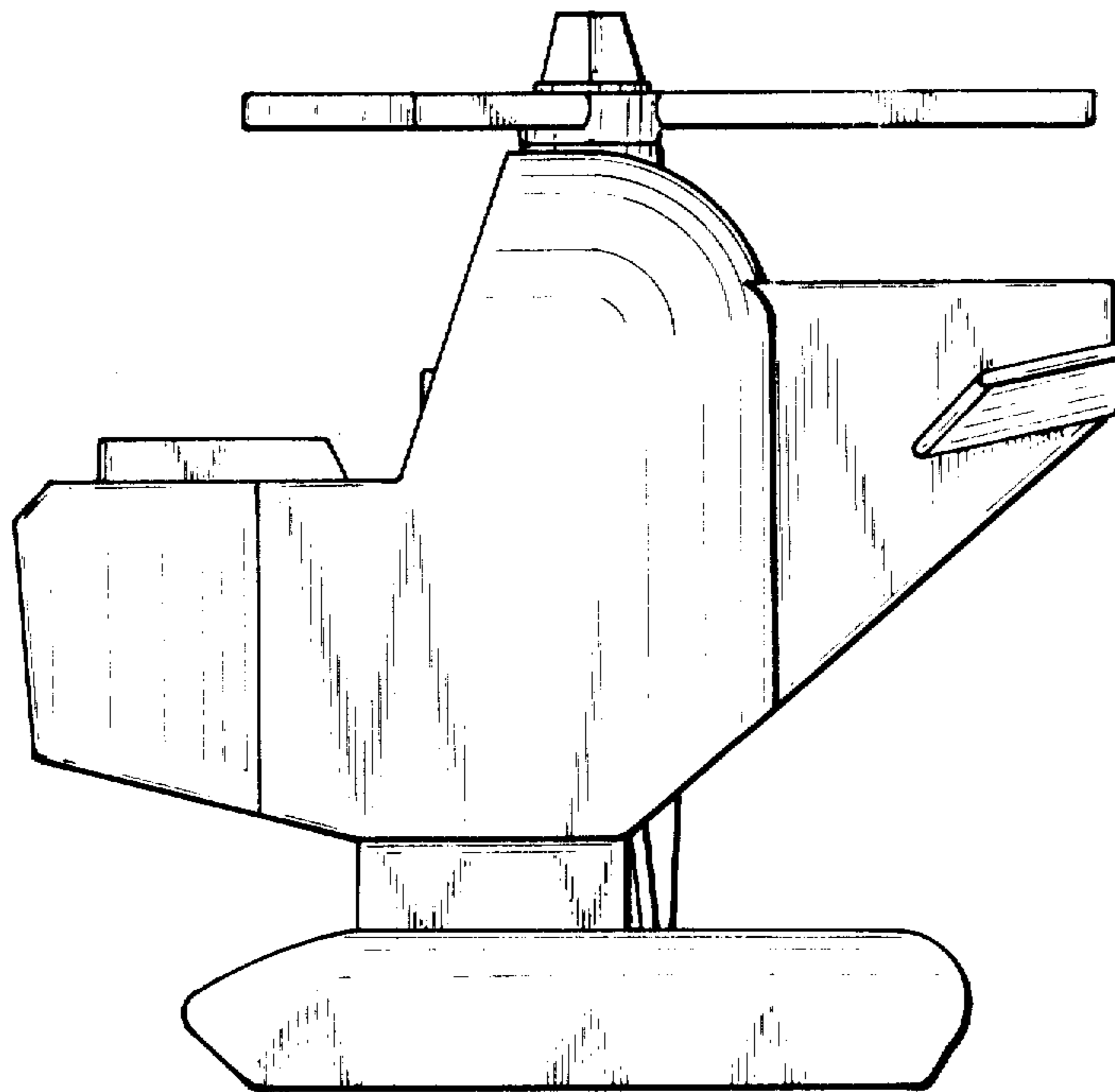
Primary Examiner—Charles A. Rademaker
Attorney, Agent, or Firm—Cumpston & Shaw

[57] CLAIM

The ornamental design for a toy helicopter, substantially as shown and described.

DESCRIPTION

FIG. 1 is a left-side elevational view of a toy helicopter showing my new design, the right side being substantially a mirror image;
 FIG. 2 is a front elevational view thereof;
 FIG. 3 is a rear elevational view thereof;
 FIG. 4 is a top plan view thereof; and
 FIG. 5 is a bottom plan view thereof.



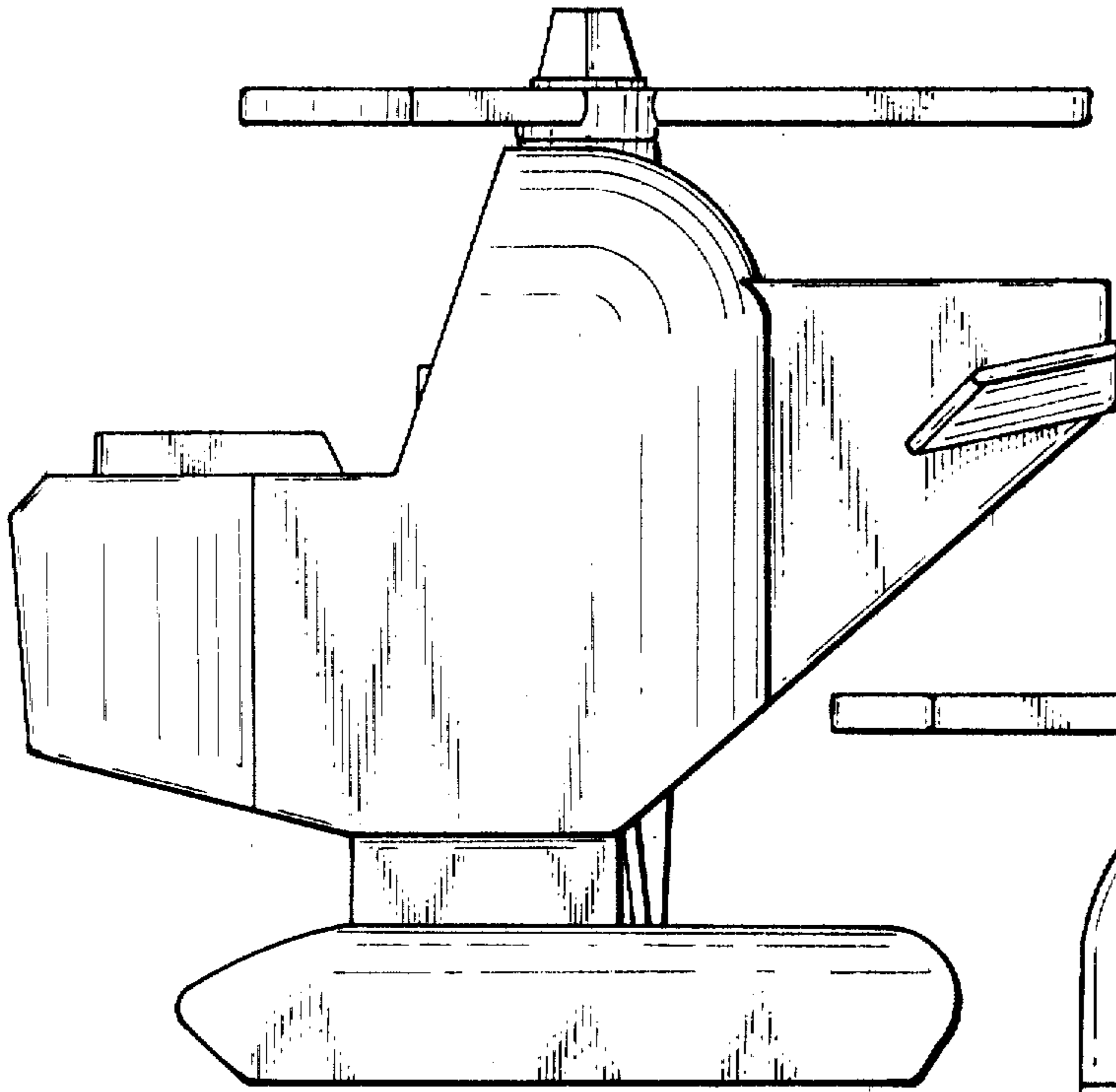


FIG. 1

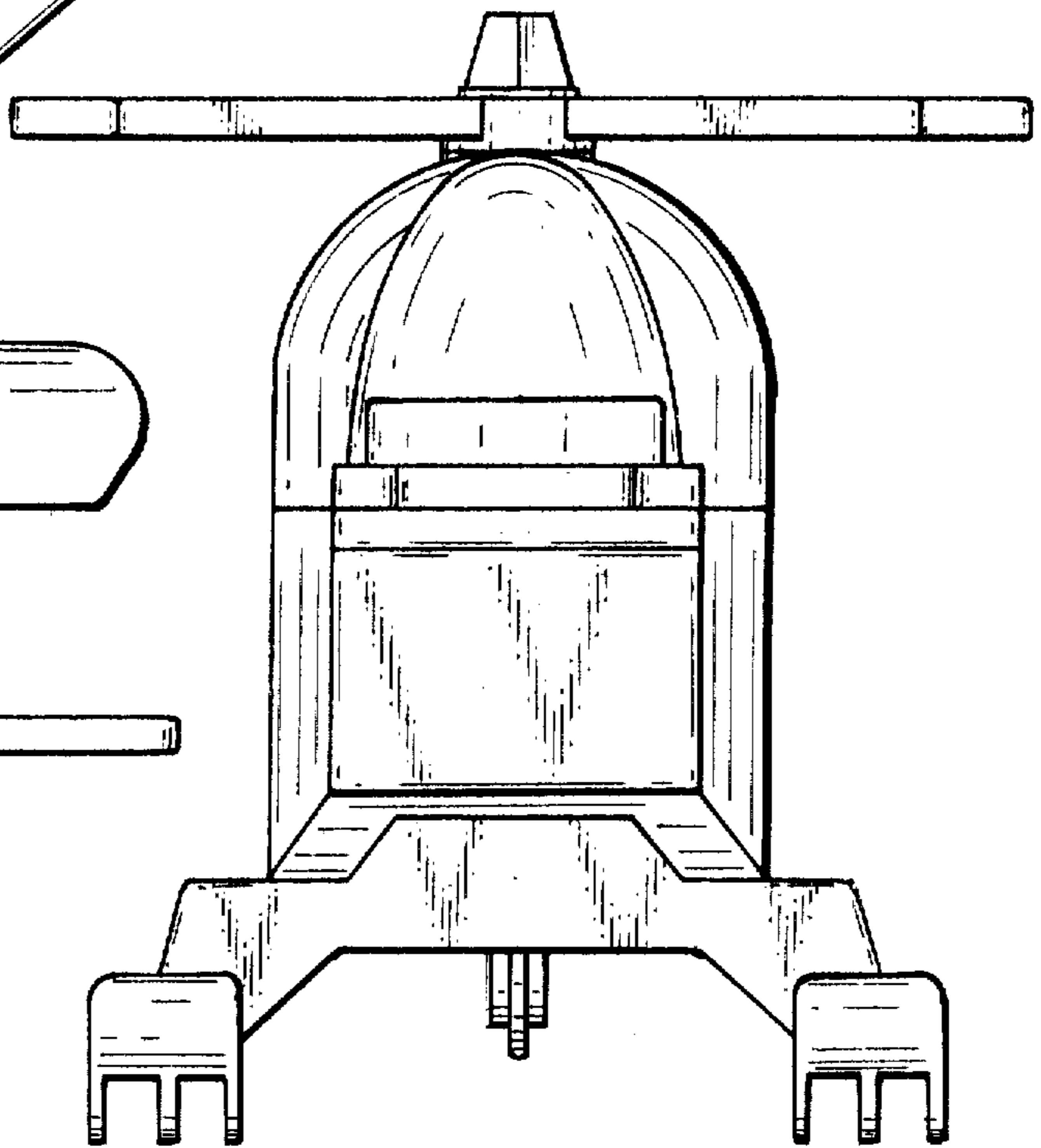


FIG. 2

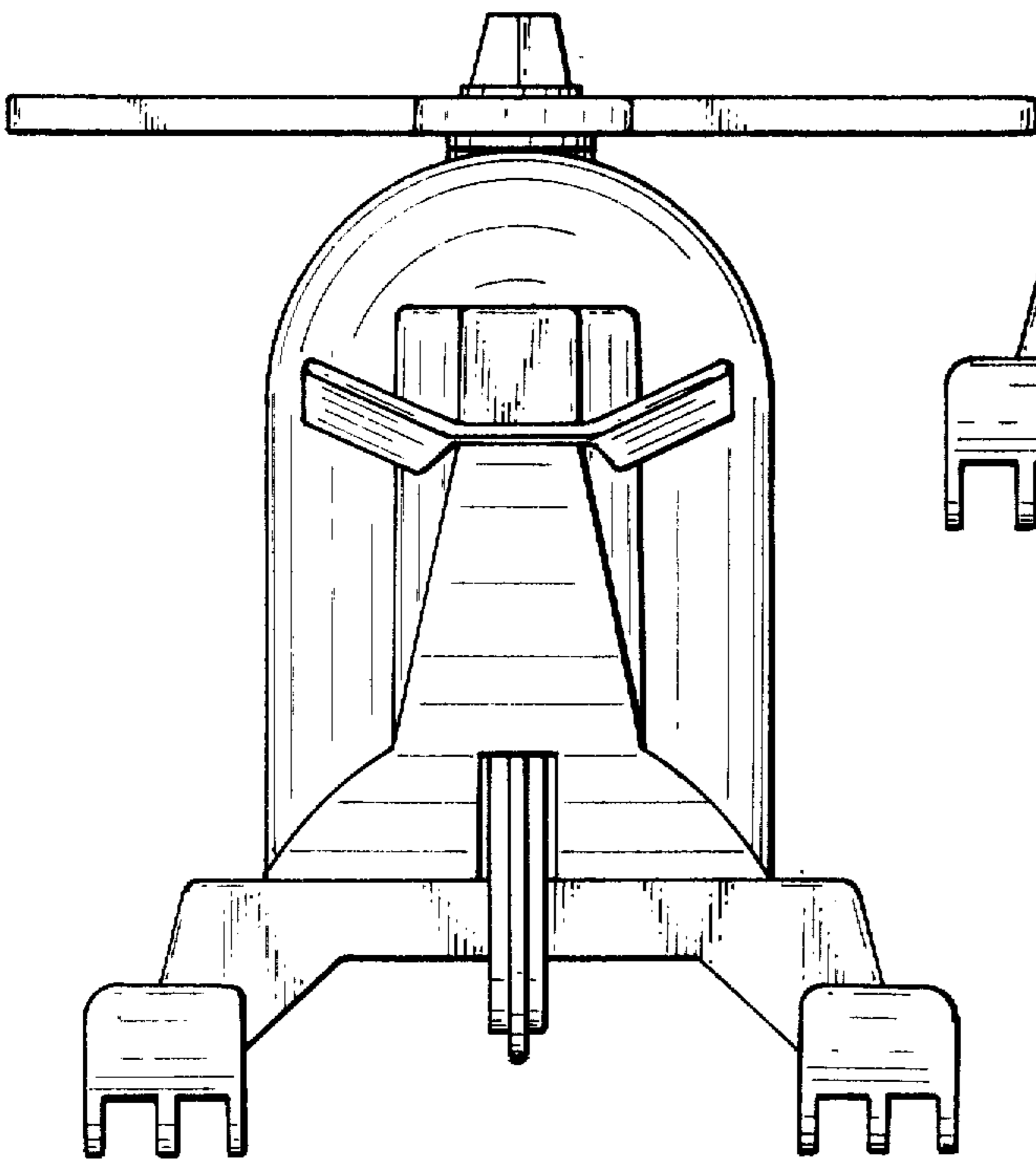


FIG. 3

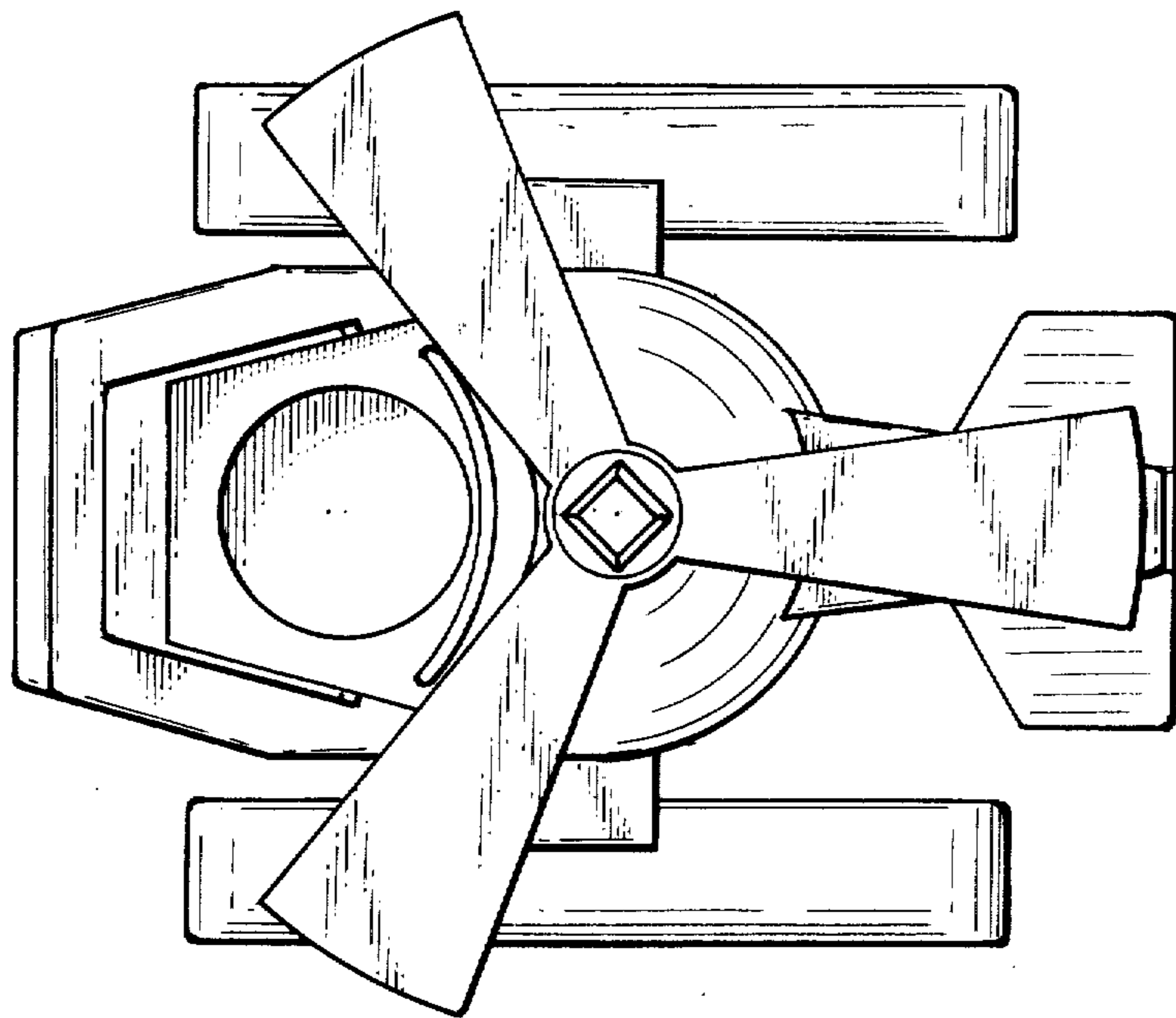


FIG. 4

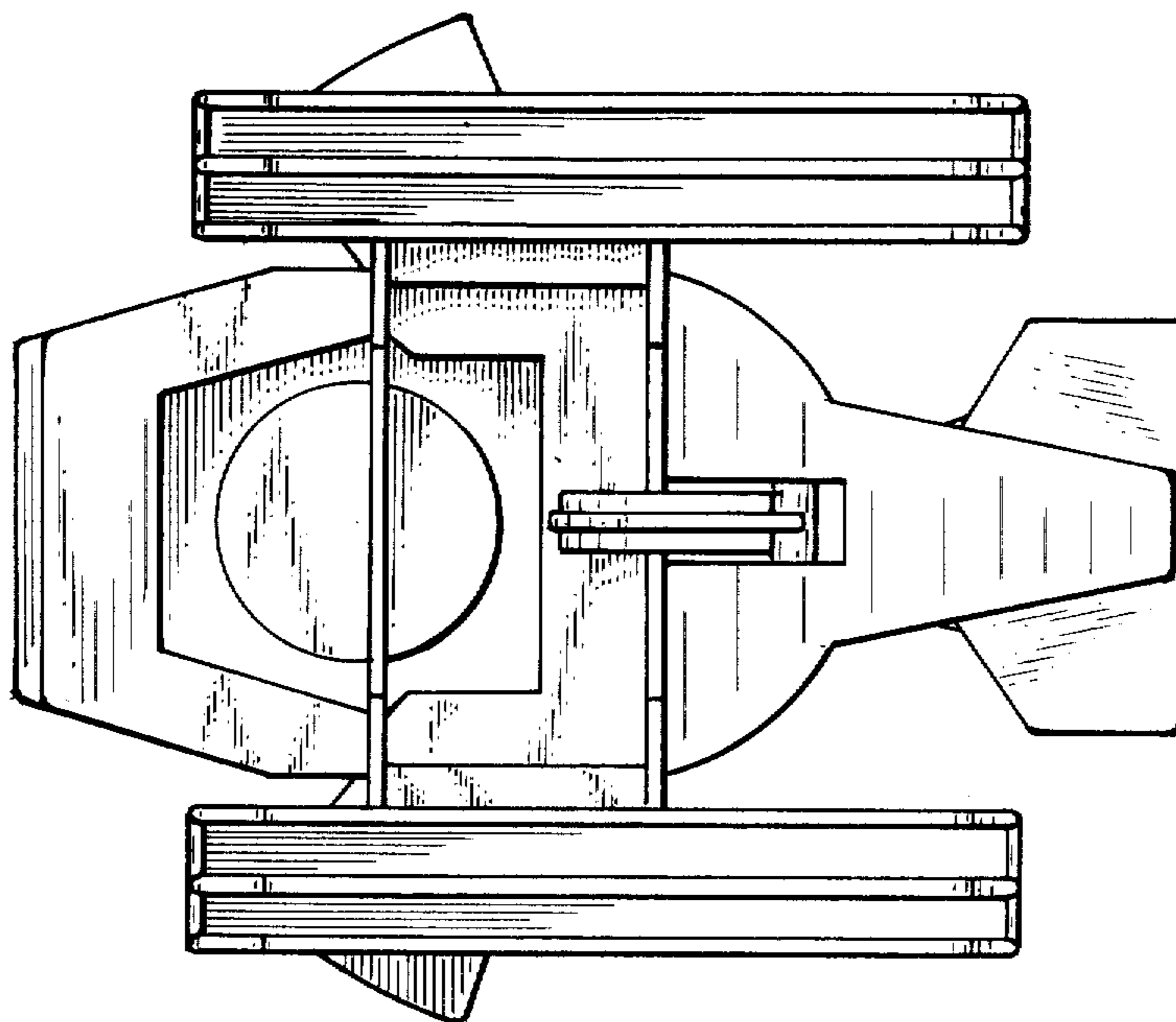


FIG. 5