

[54] HANDLE FOR PUSH TOYS OR SIMILAR ARTICLES

[75] Inventor: Augusto Argandona, East Aurora, N.Y.

[73] Assignee: The Quaker Oats Company, Chicago, Ill.

[**] Term: 14 Years

[21] Appl. No.: 114,275

[22] Filed: Jan. 22, 1980

[51] Int. Cl. D21-01

[52] U.S. Cl. D21/59

[58] Field of Search D21/71, 109, 120; D8/307, 10; 46/205, 220

[56] References Cited

U.S. PATENT DOCUMENTS

D. 89,826 5/1933 Korte D21/71
1,890,944 12/1932 Holmes 46/205

OTHER PUBLICATIONS

Mongomery Ward 1962 Xmas Cat., p. 290, bottom, Play Egg Beater.

Primary Examiner—Melvin B. Feifer
Attorney, Agent, or Firm—Cumpston & Shaw

[57] CLAIM

The ornamental design for a handle for push toys or similar articles, substantially as shown and described.

DESCRIPTION

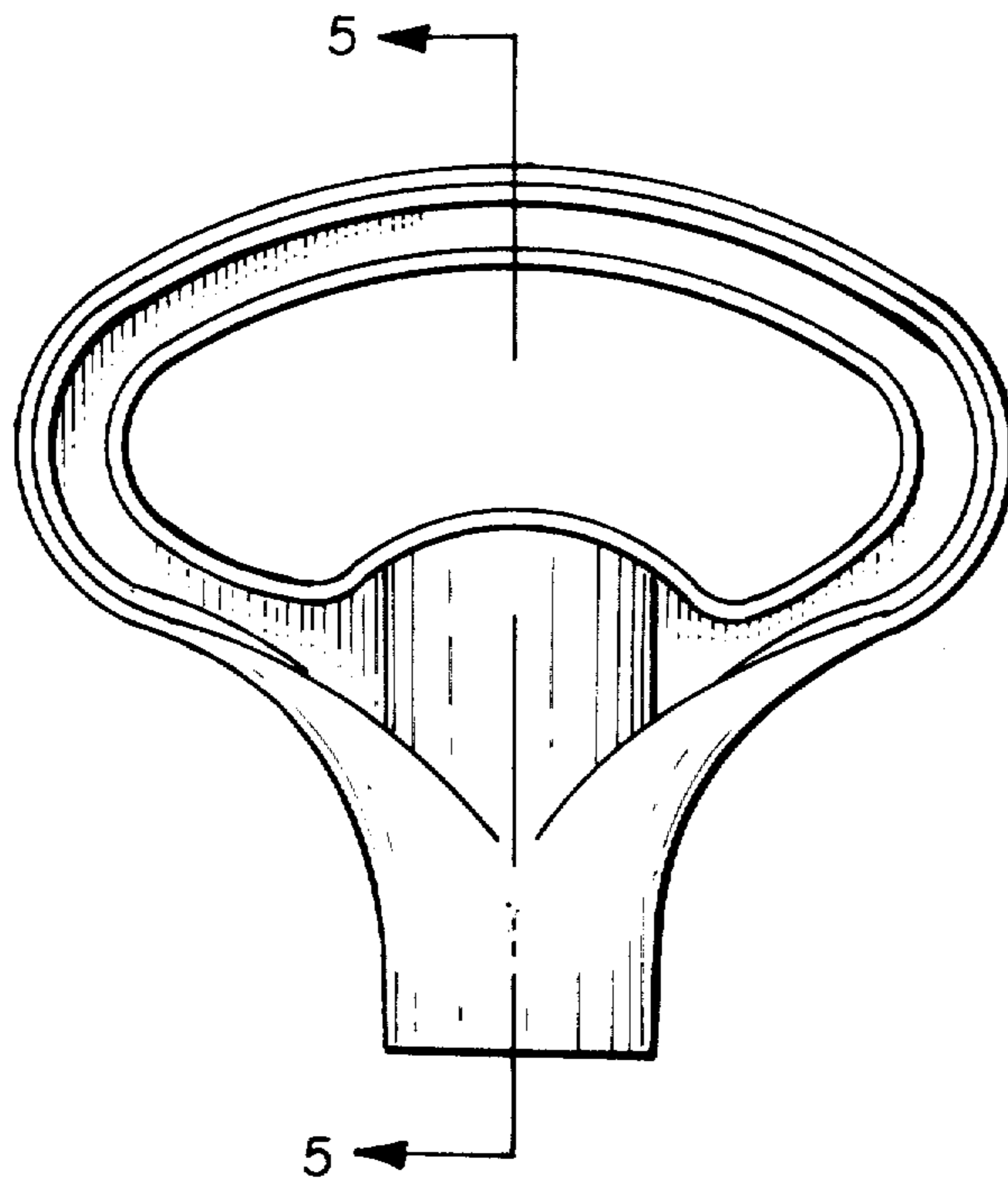
FIG. 1 is a top plan view of a handle for push toys or similar articles showing my new design, the bottom being substantially a mirror image;

FIG. 2 is an end elevational view thereof;

FIG. 3 is an end elevational view of opposite end thereof;

FIG. 4 is a right-side elevational view thereof, the left side being substantially a mirror image; and

FIG. 5 is a view along the line 5-5 in FIG. 1.



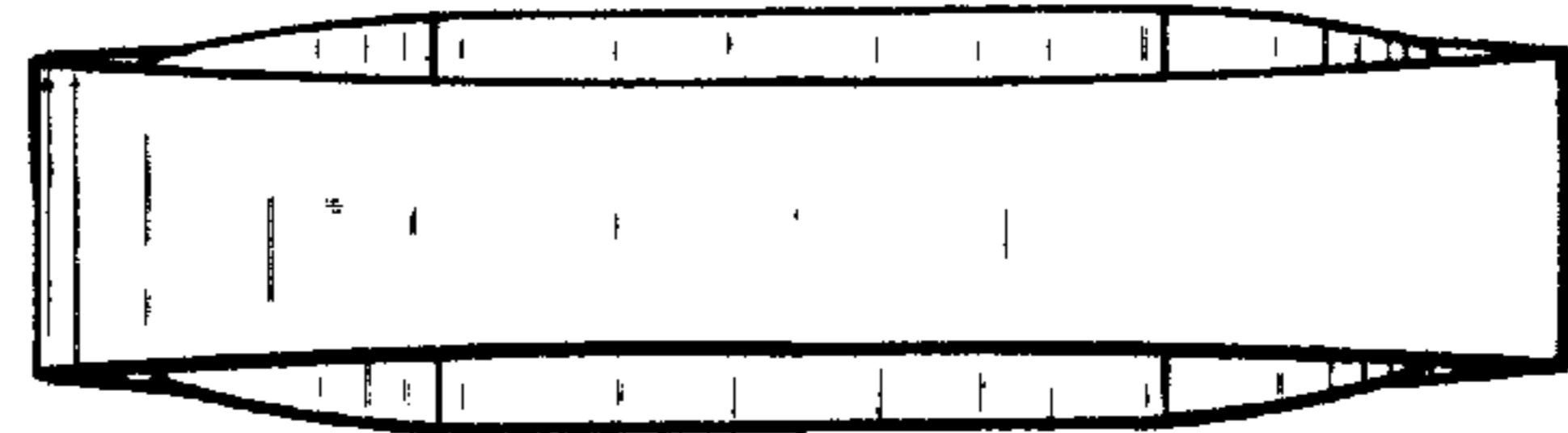
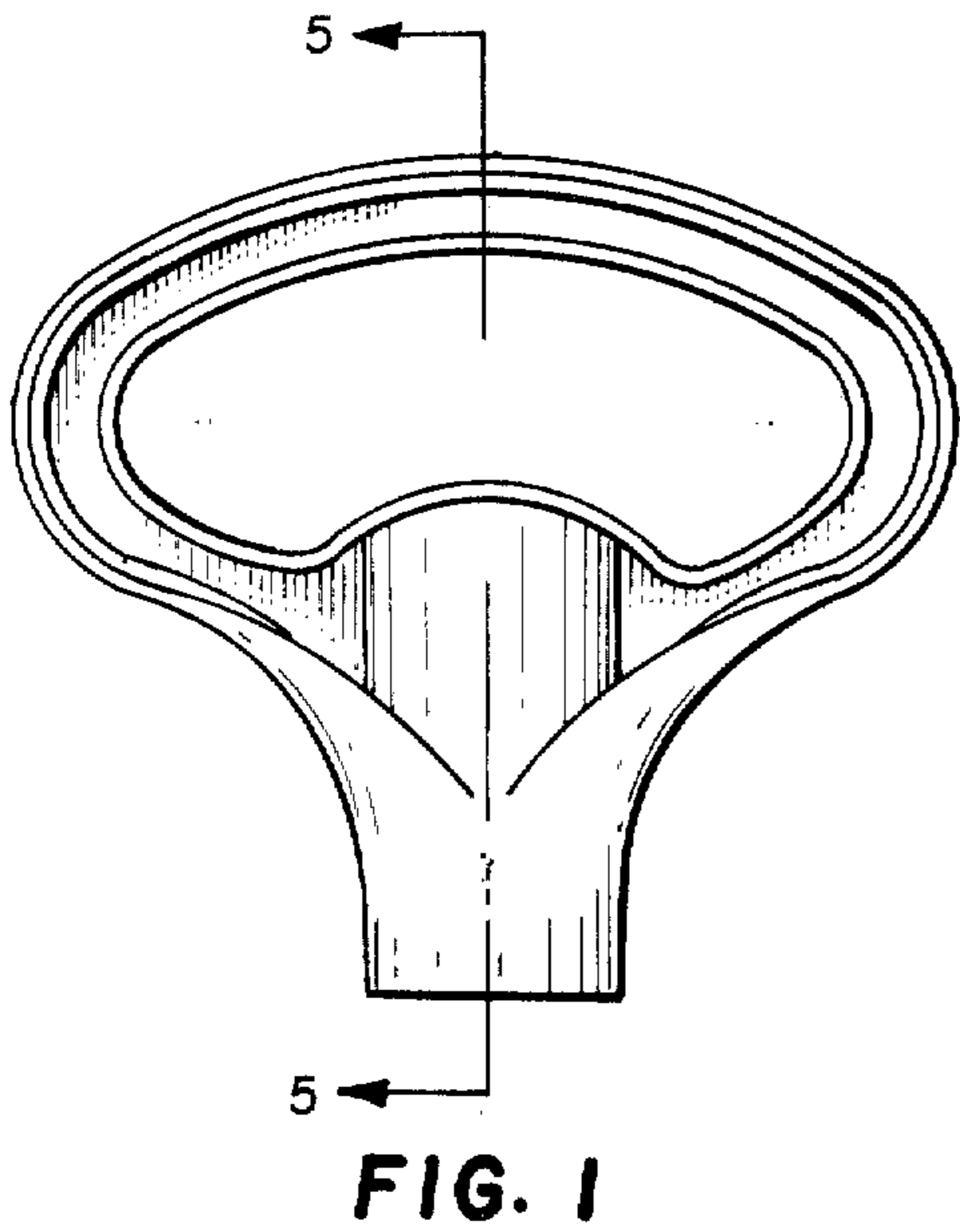


FIG. 2



FIG. 3

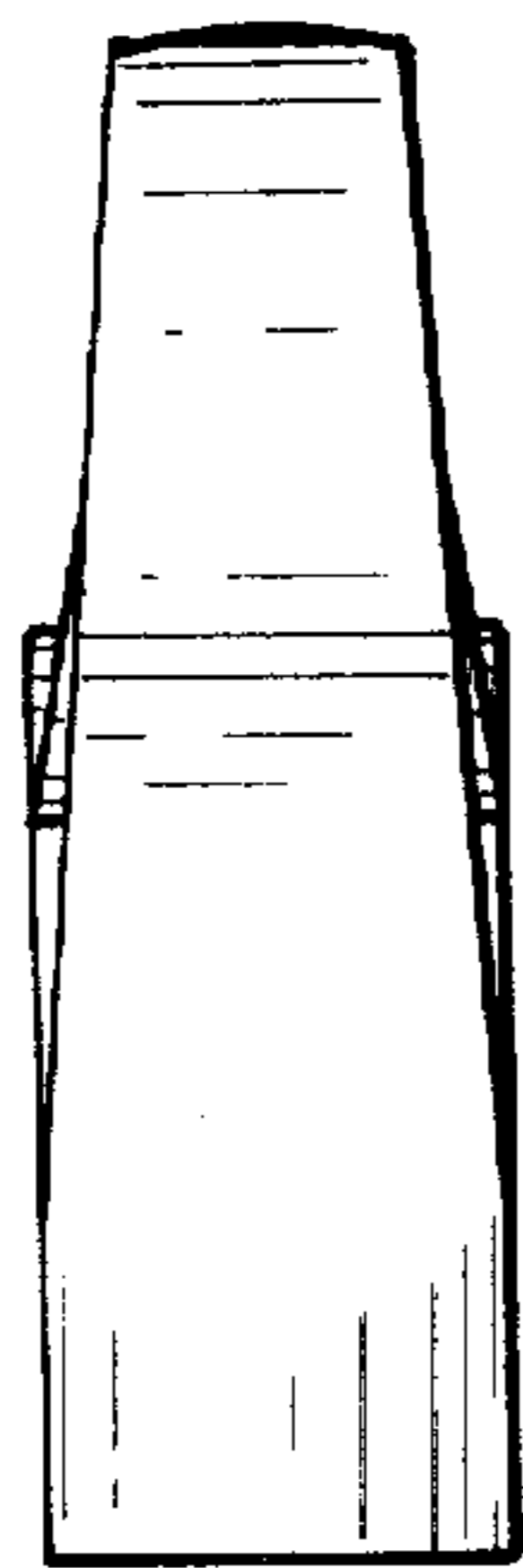


FIG. 4

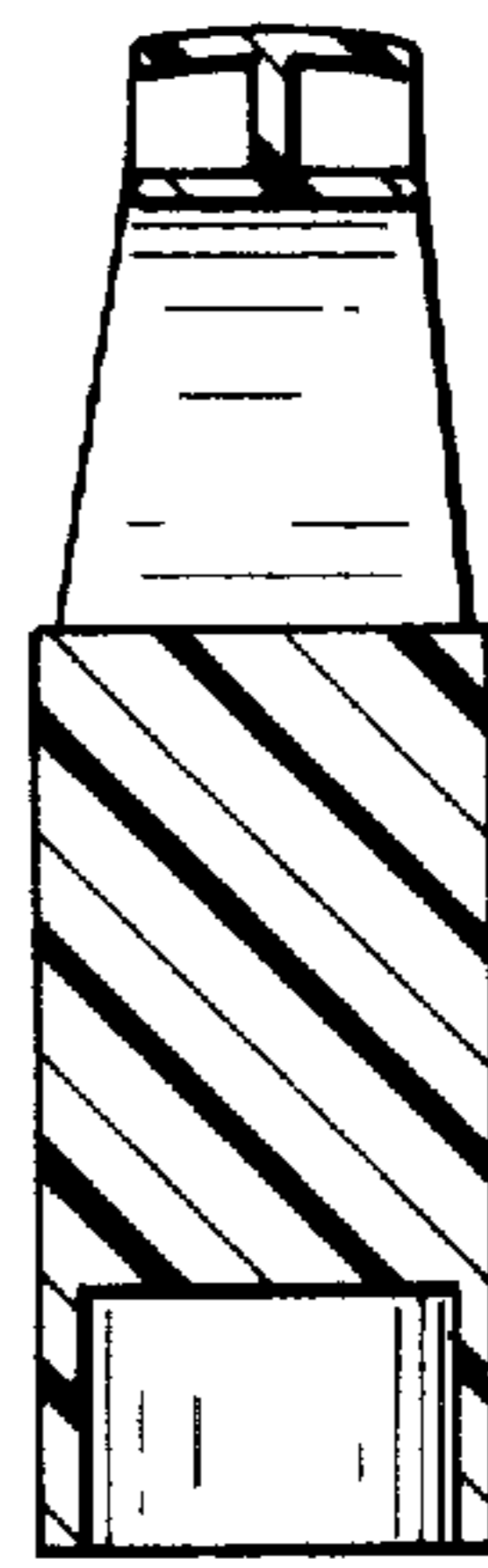


FIG. 5