

[54] WATER ACTIVITY TOY

[75] Inventor: Robert C. Fisher, East Aurora, N.Y.

[73] Assignee: The Quaker Oats Company, Chicago, Ill.

[**] Term: 14 Years

[21] Appl. No.: 109,618

[22] Filed: Jan. 4, 1980

[51] Int. Cl. D21-01
[52] U.S. Cl. D21/59; D21/63
[58] Field of Search D21/59, 142, 63; 434/258; 46/91, 92, 41

[56]

References Cited

U.S. PATENT DOCUMENTS

3,577,675 5/1971 Kohner et al. 46/41

OTHER PUBLICATIONS

Sears 1976 Wishbook, p. 552, top right, Busy Bath.

Primary Examiner—Melvin B. Feifer

Attorney, Agent, or Firm—Cumpston & Shaw

[57]

CLAIM

The ornamental design for a water activity toy, substantially as shown and described.

DESCRIPTION

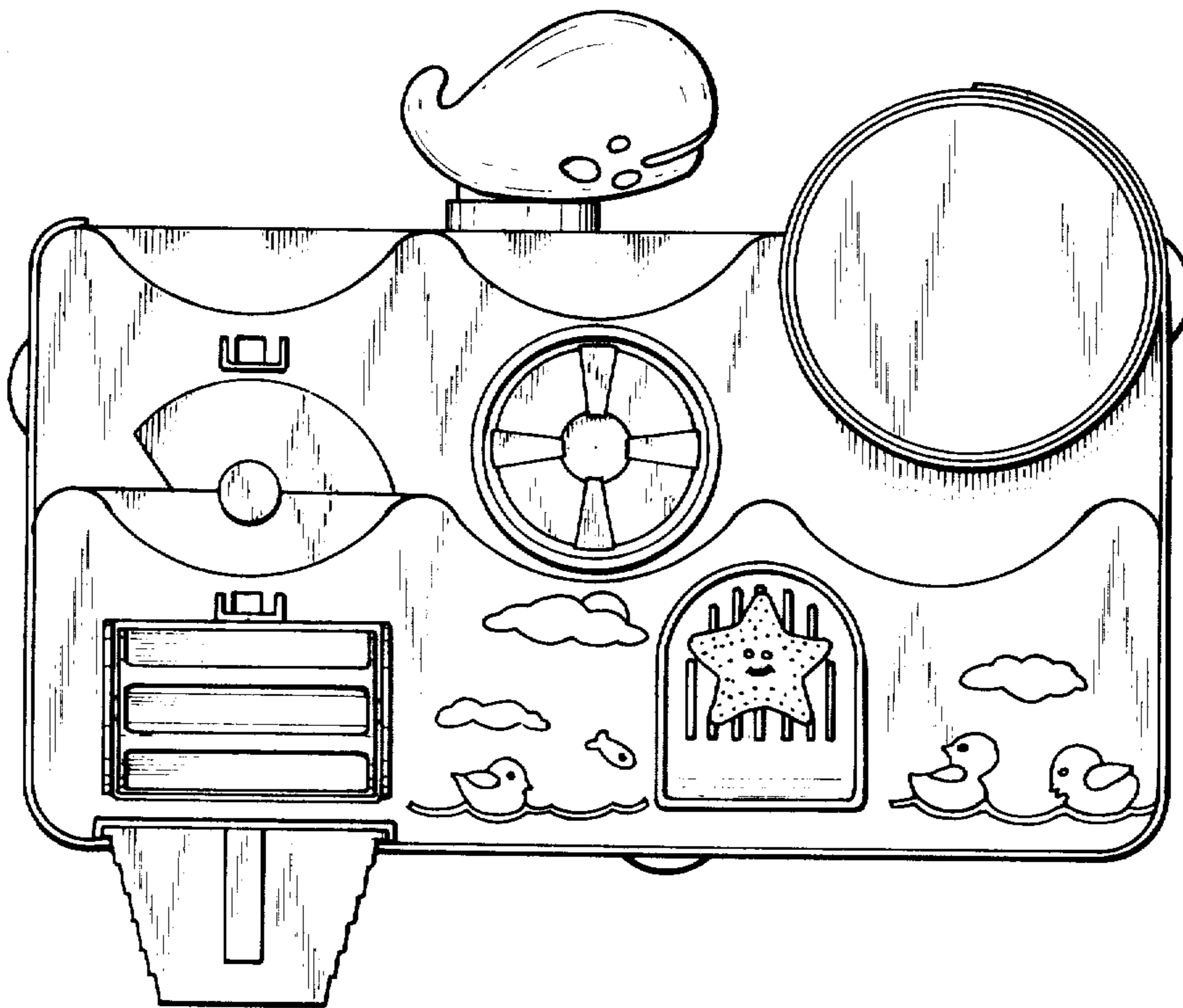
FIG. 1 is a front elevational view of a water activity toy showing my new design;

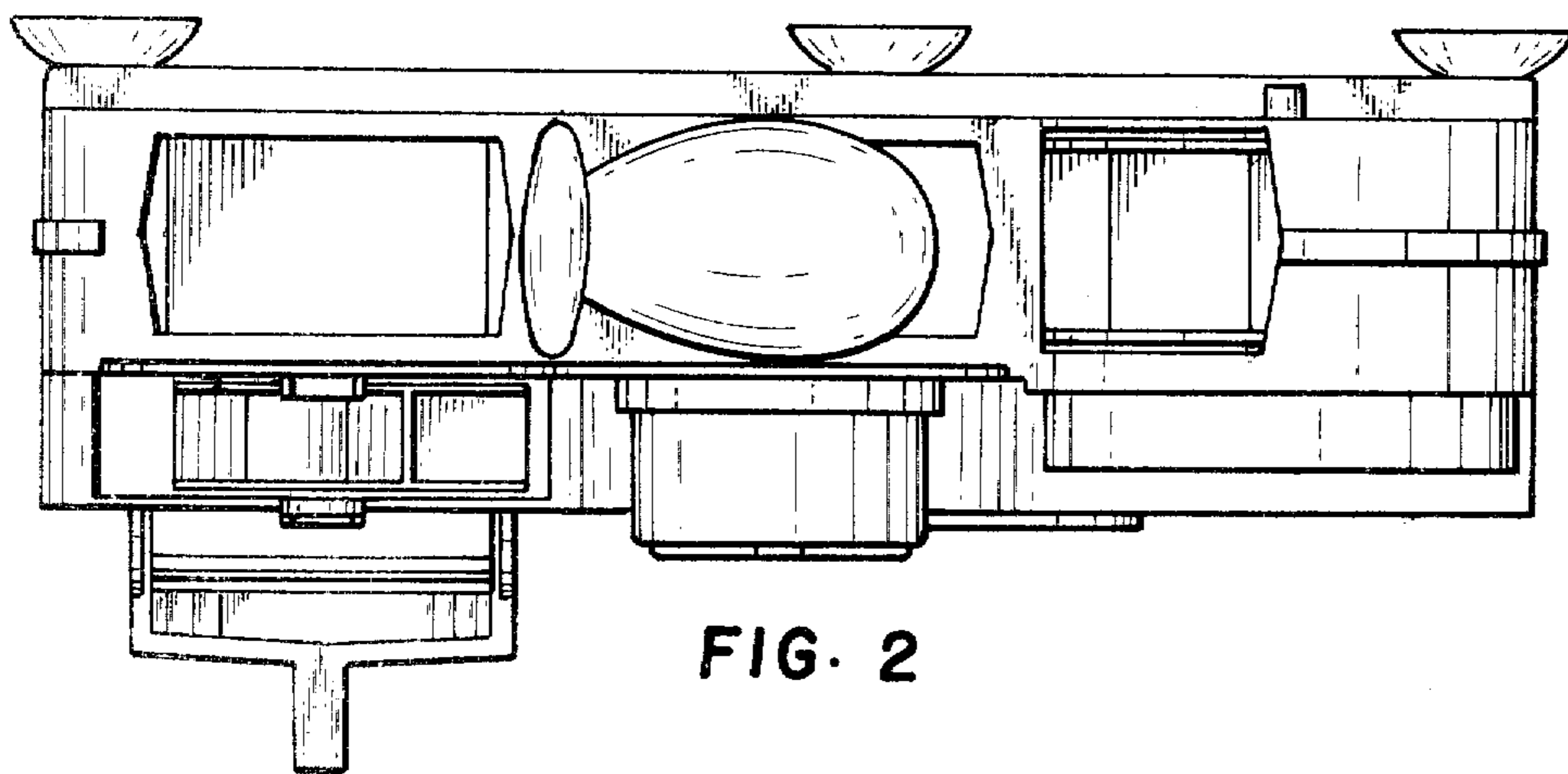
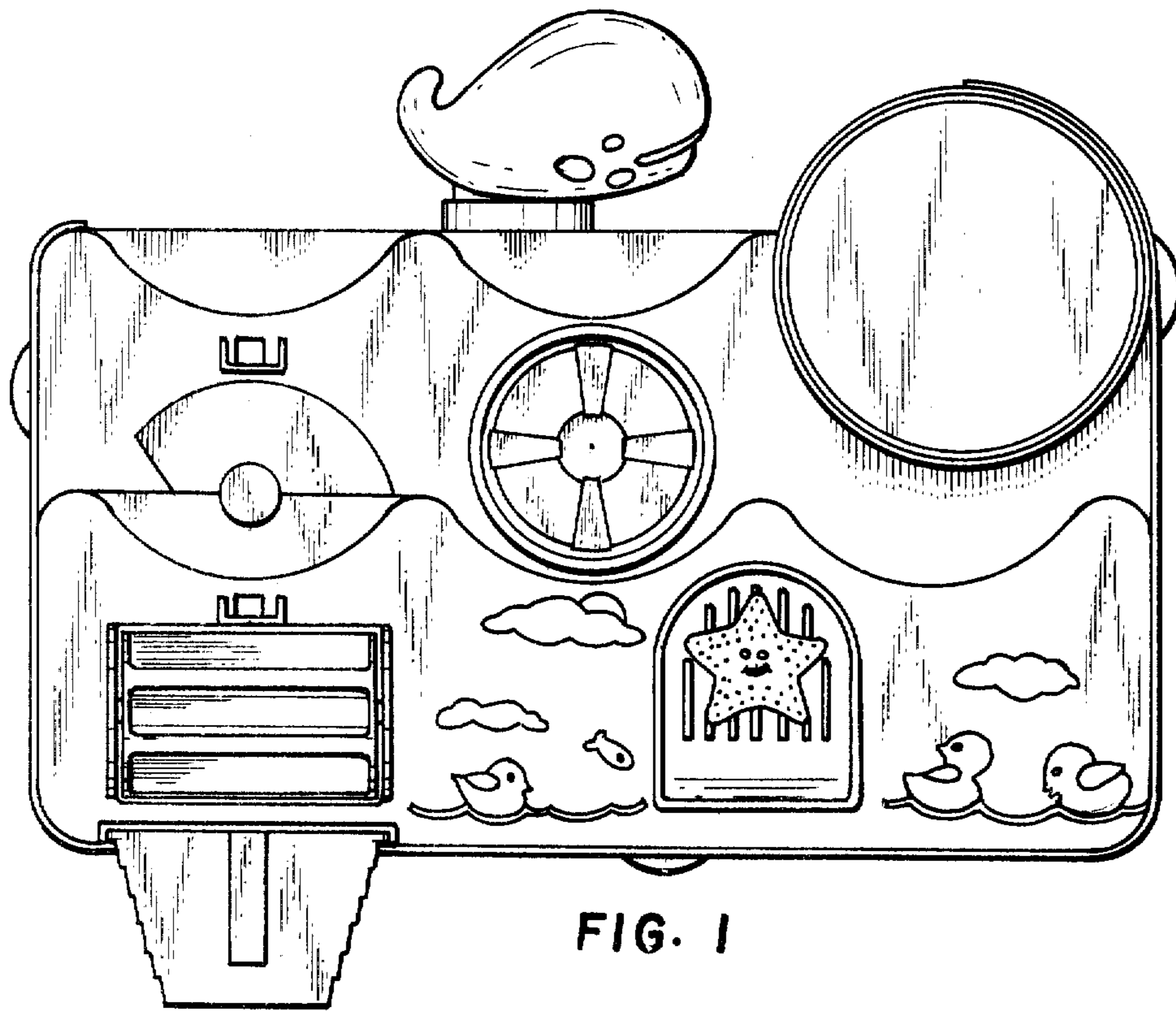
FIG. 2 is a top plan view thereof;

FIG. 3 is a right-side elevational view thereof;

FIG. 4 is a left-side elevational view thereof; and

FIG. 5 is a bottom plan view thereof.





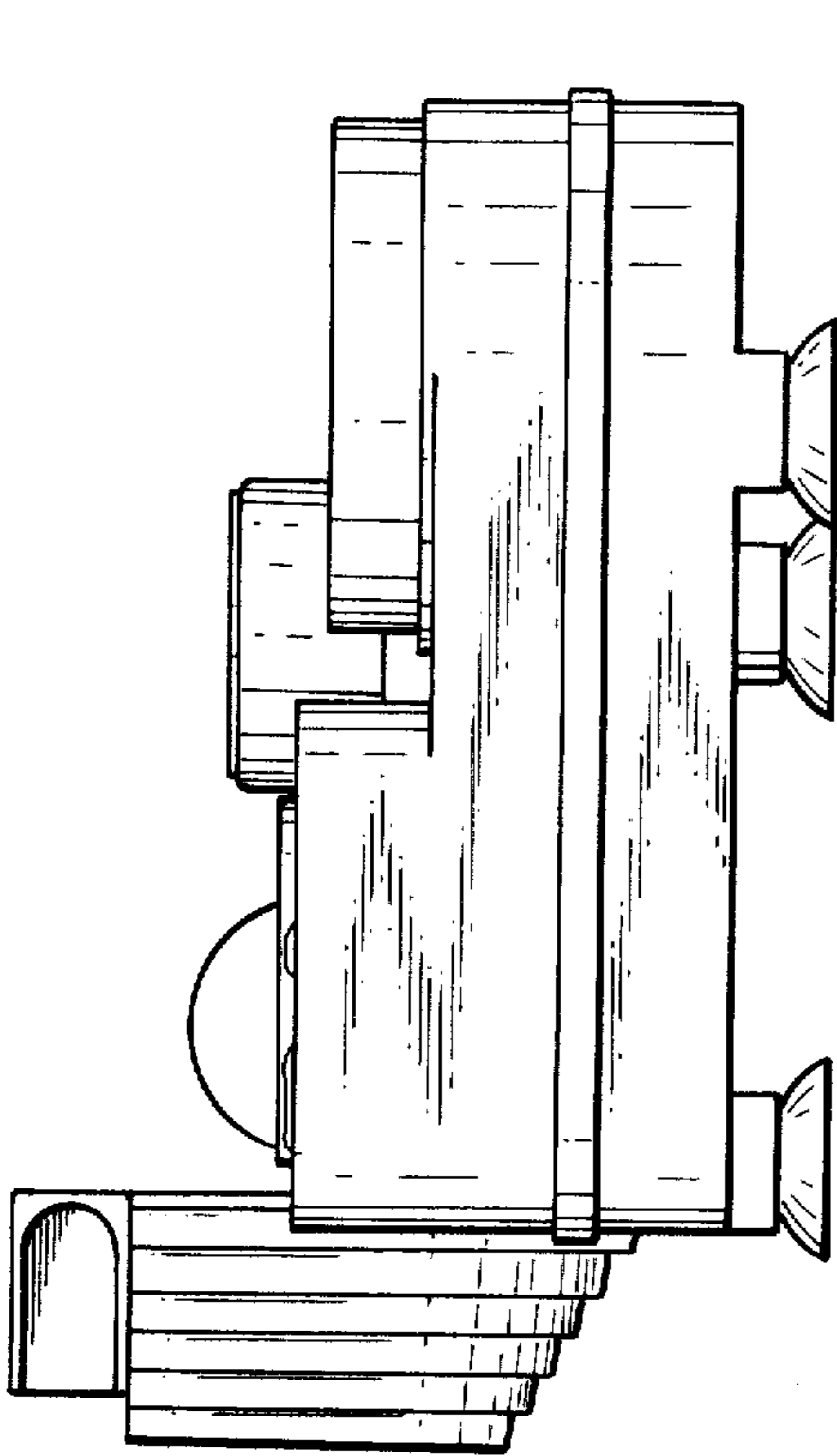


FIG. 3

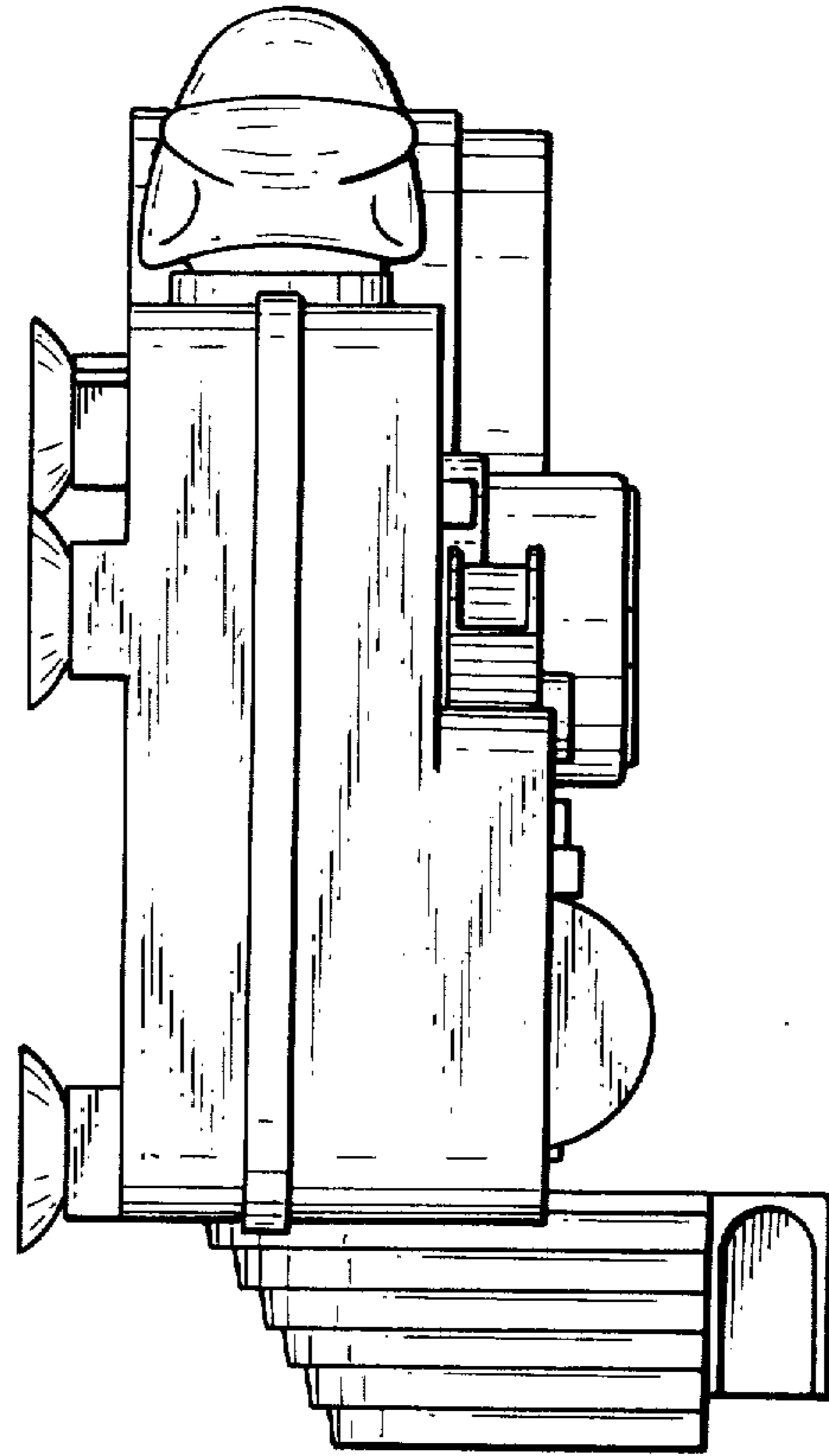


FIG. 4

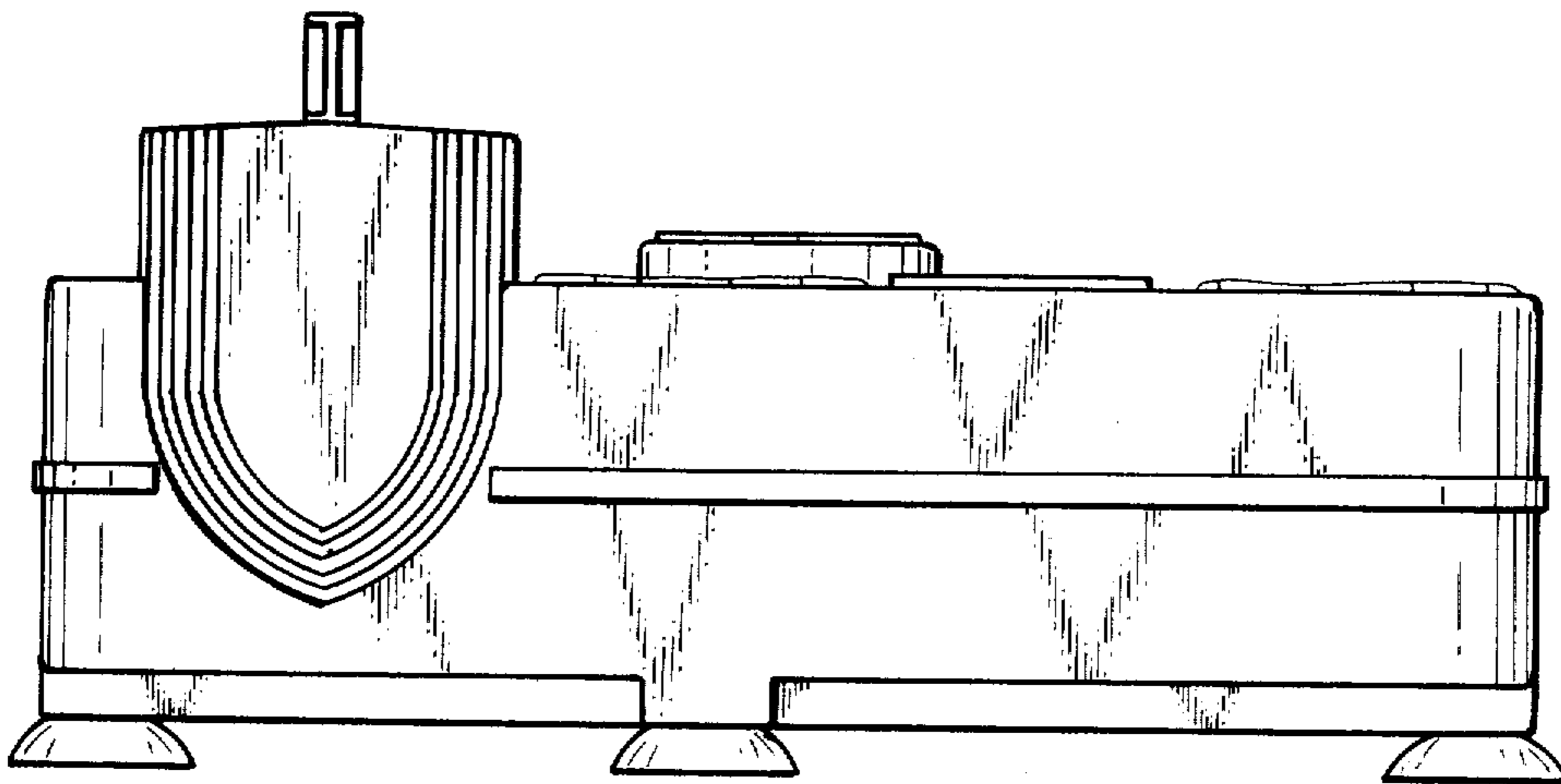


FIG. 5