

[54] DOCUMENT COPIER
 [75] Inventor: Hans J. Sinn, Fairfield, Conn.
 [73] Assignee: Pitney Bowes Inc., Stamford, Conn.
 [**] Term: 14 Years
 [21] Appl. No.: 112,768
 [22] Filed: Jan. 17, 1980
 [51] Int. Cl. D16-03
 [52] U.S. Cl. D16/31
 [58] Field of Search D16/27, 31, 32, 28-30;
 355/3 R, 8, 9, 11, 12, 51, 57

3,604,796 9/1971 Ogawa 355/51 X
 3,672,762 6/1972 Suzuki 355/51 X
 3,907,424 9/1975 Komori 355/51 X
 4,017,170 4/1977 Komori 355/3 R
 4,154,524 5/1979 Hattori 355/51 X
 4,192,608 3/1980 Goshima 355/51
 4,236,807 12/1980 Kuehnle 355/3 R

Primary Examiner—Nelson C. Holtje
 Attorney, Agent, or Firm—Robert E. Meyer; William D. Soltow, Jr.; Albert W. Scribner

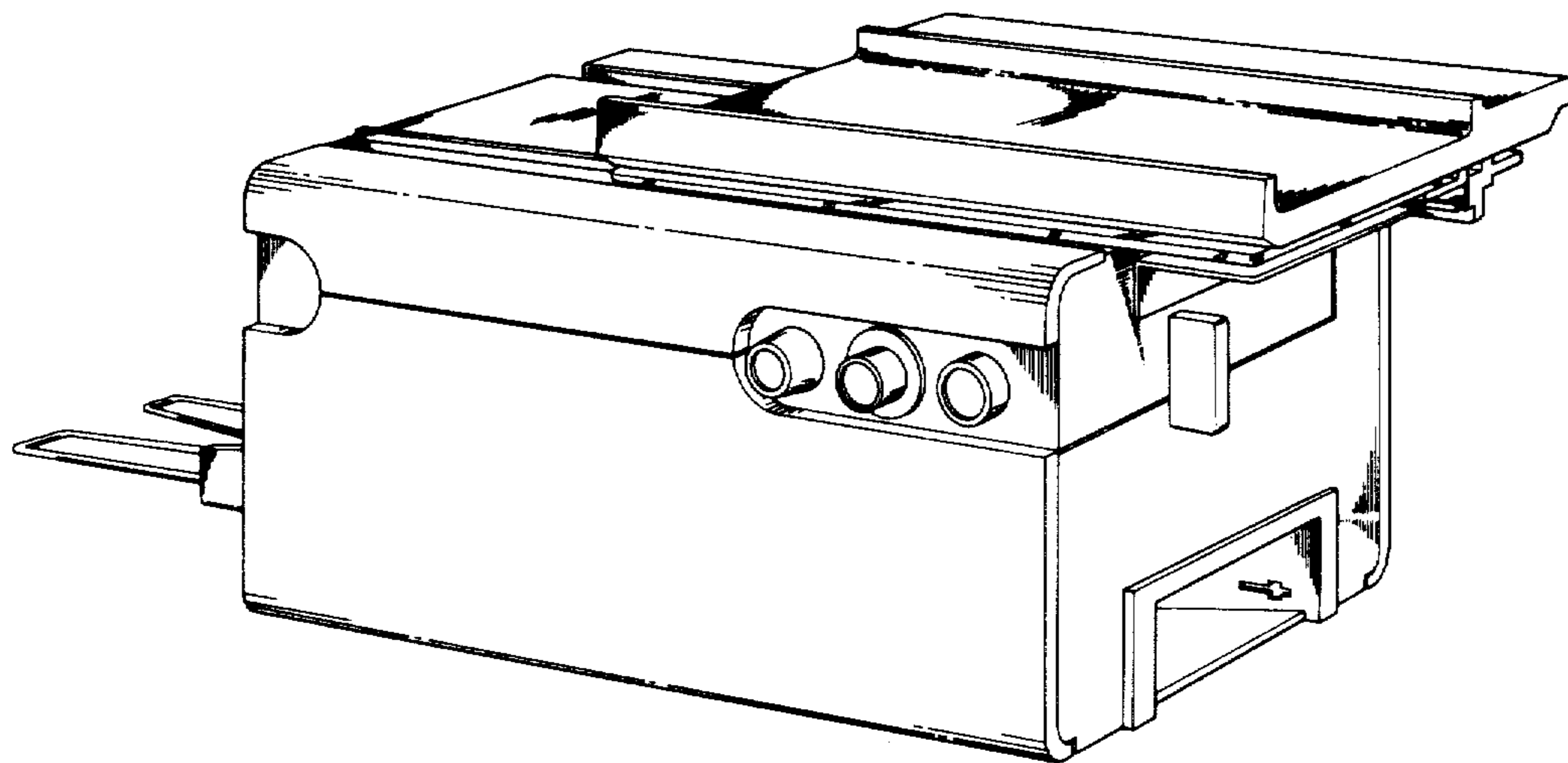
[57] CLAIM

The ornamental design for a document copier, as shown.

DESCRIPTION

FIG. 1 is a perspective view of a document copier showing my new design;
 FIG. 2 is a front elevational view thereof;
 FIG. 3 is a rear elevational view thereof;
 FIG. 4 is a top plan view thereof;
 FIG. 5 is a left side elevational view thereof;
 FIG. 6 is a right side elevational view thereof.

[56] References Cited
 U.S. PATENT DOCUMENTS
 D. 228,151 8/1973 Hikawa D16/31
 D. 230,084 1/1974 Nagata D16/31
 D. 239,659 4/1976 Katayama D16/31
 D. 251,595 4/1979 Shibaura D16/31
 D. 257,984 1/1981 Kurozumi D16/31



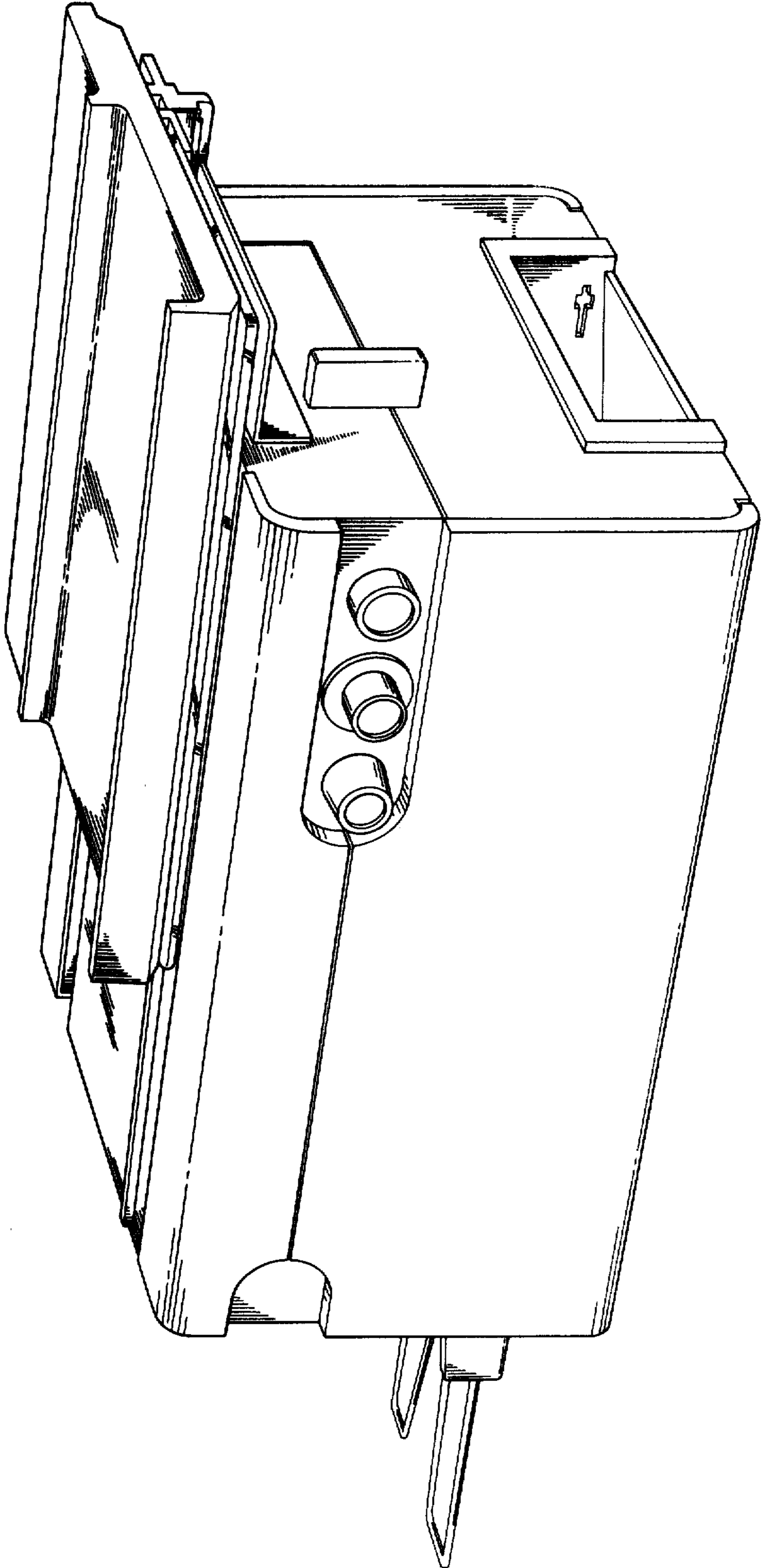


Fig. 1

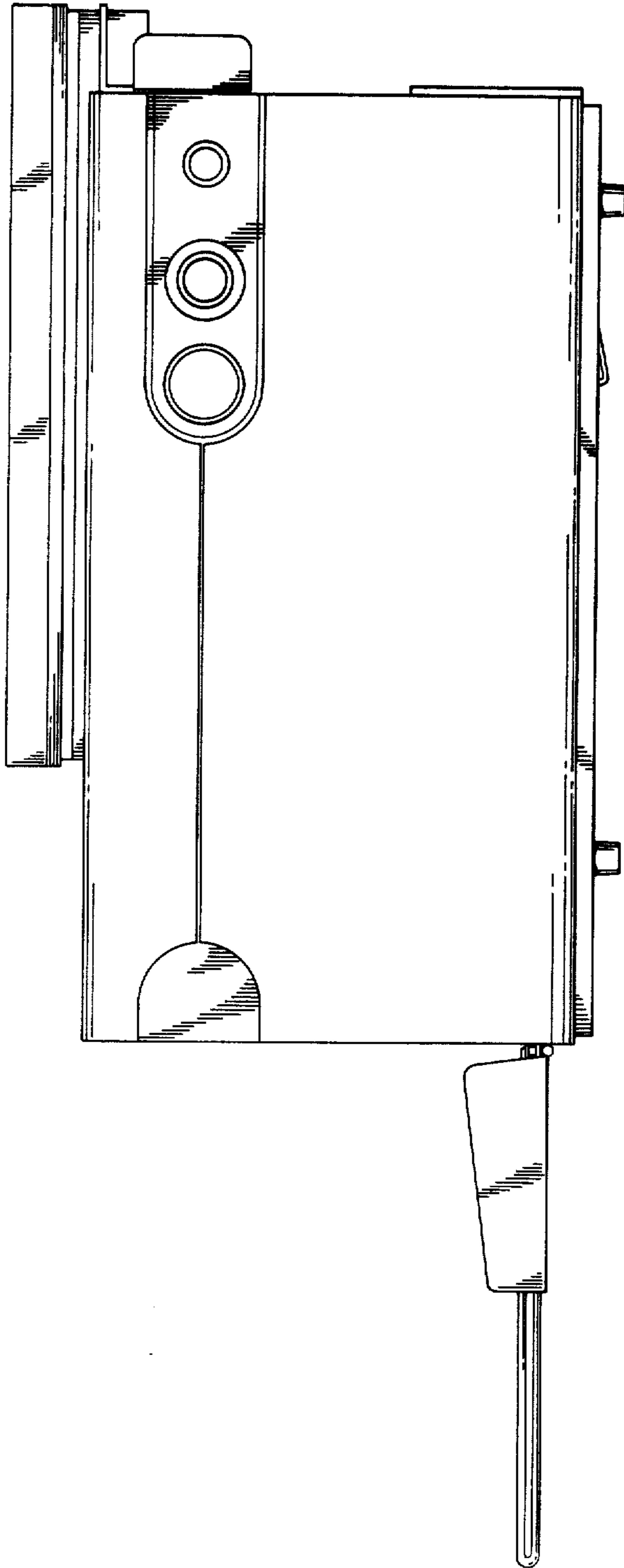


Fig. 2

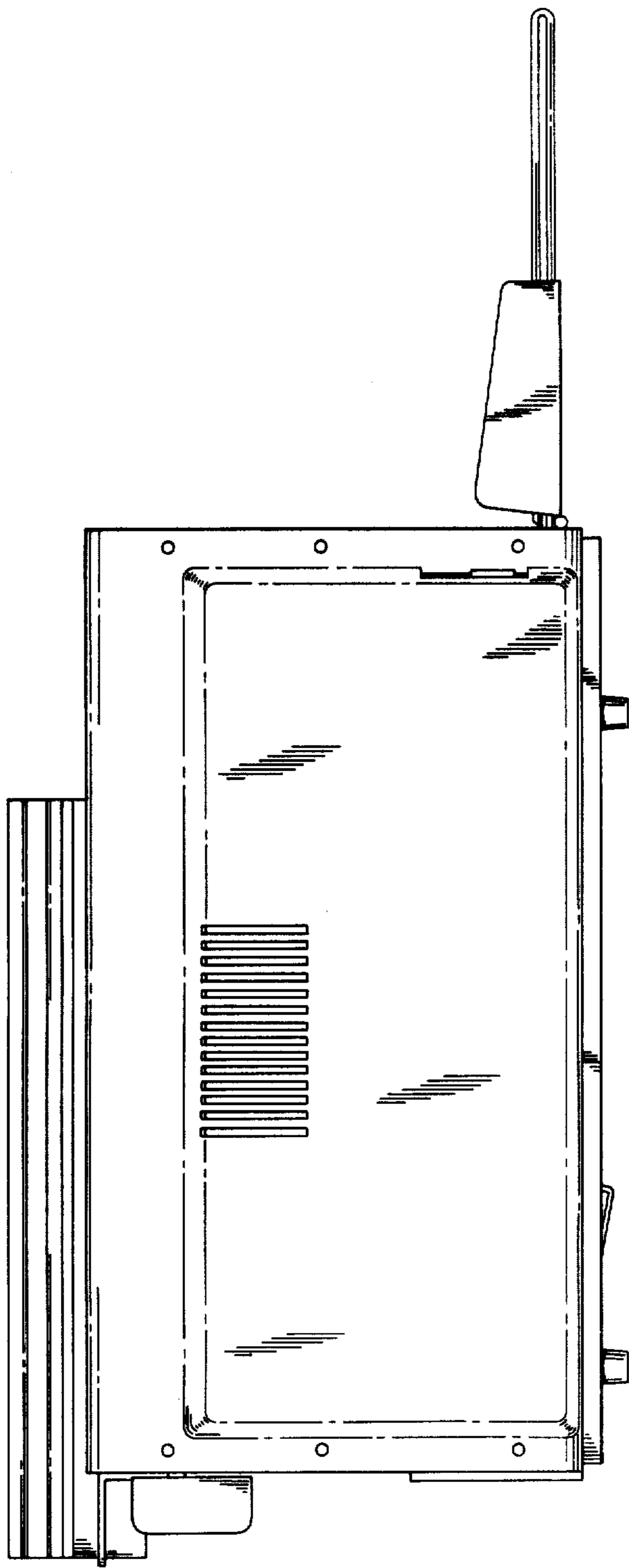


Fig. 3

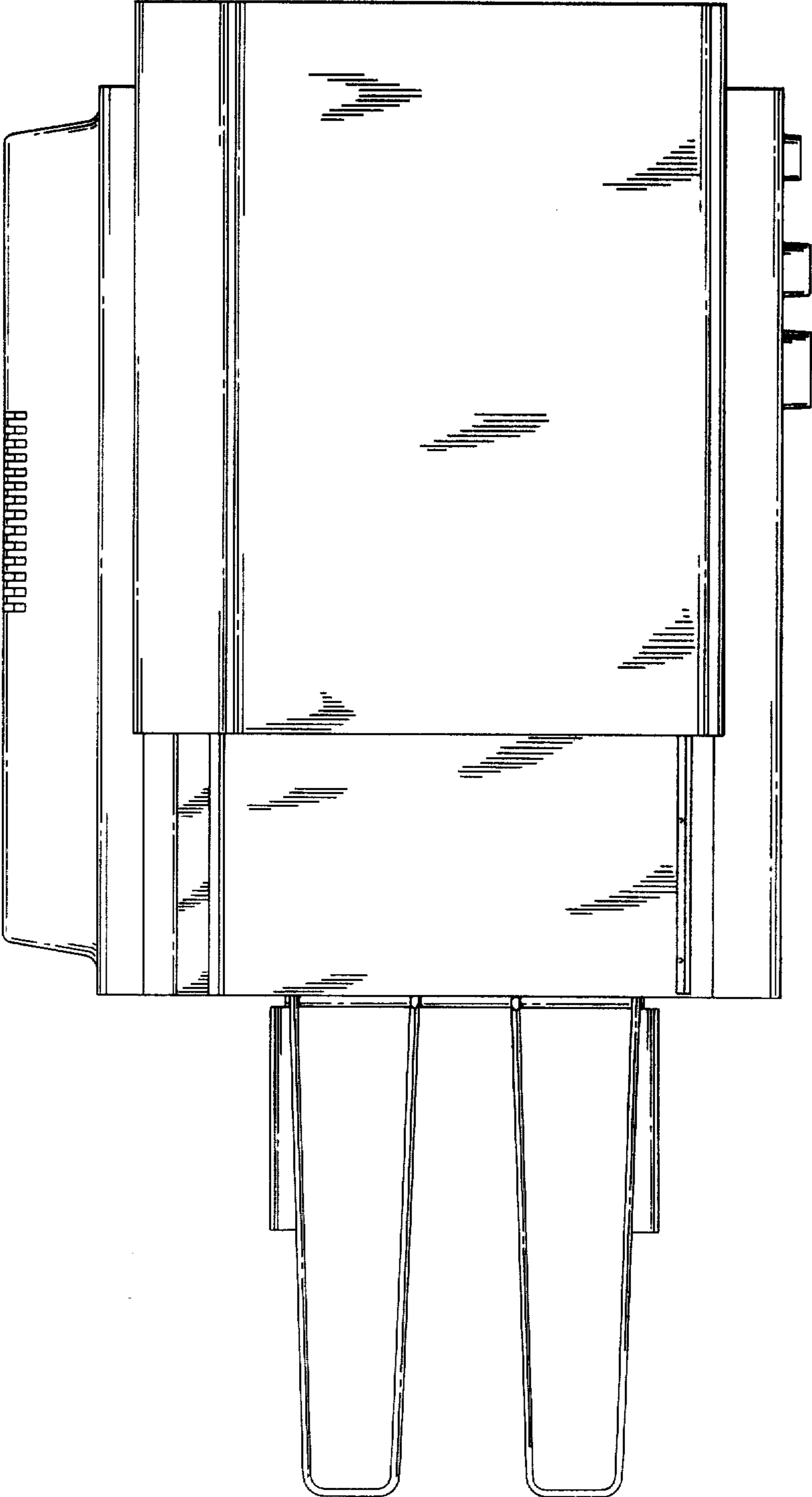


Fig. 4

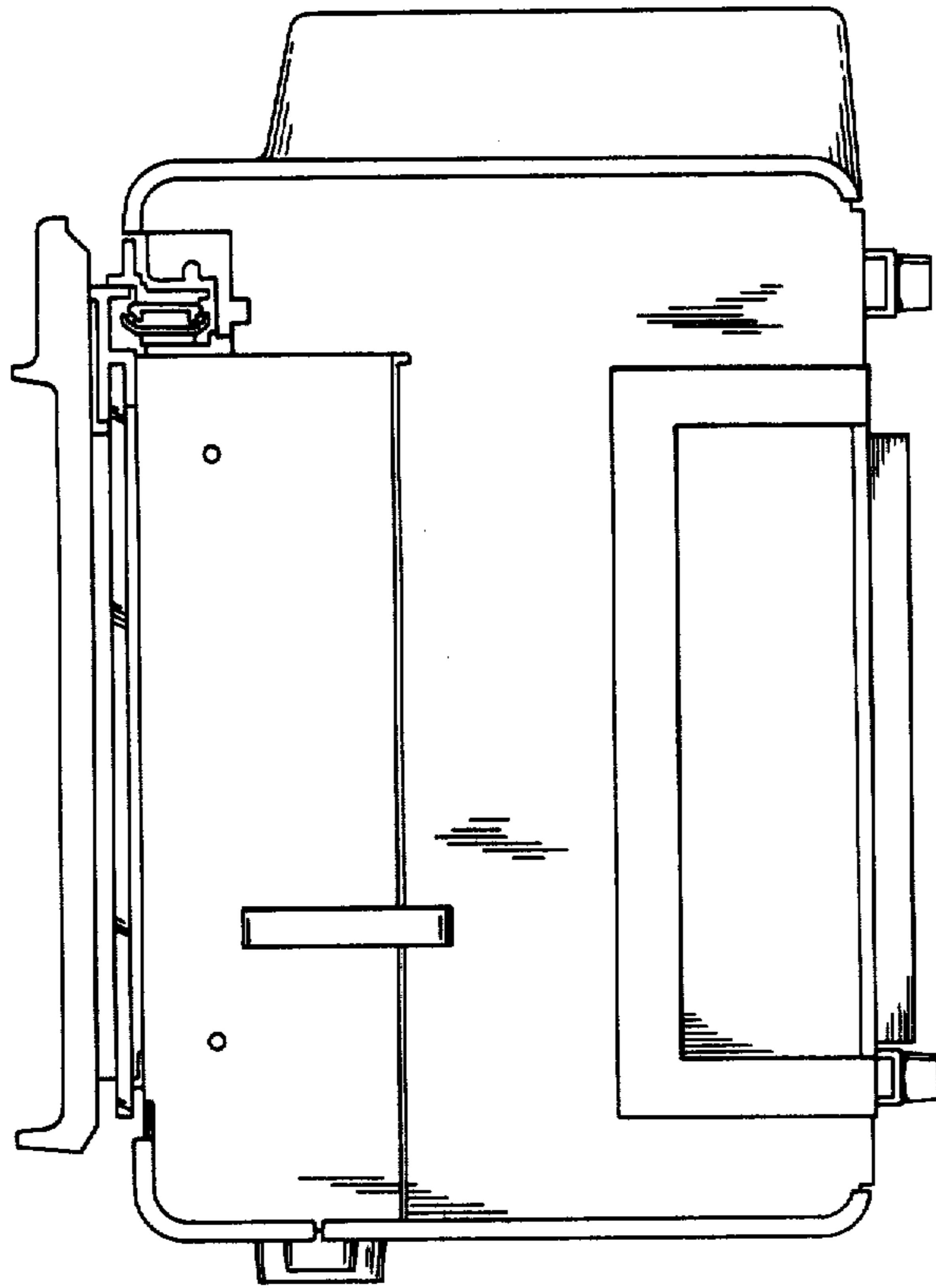


Fig. 6

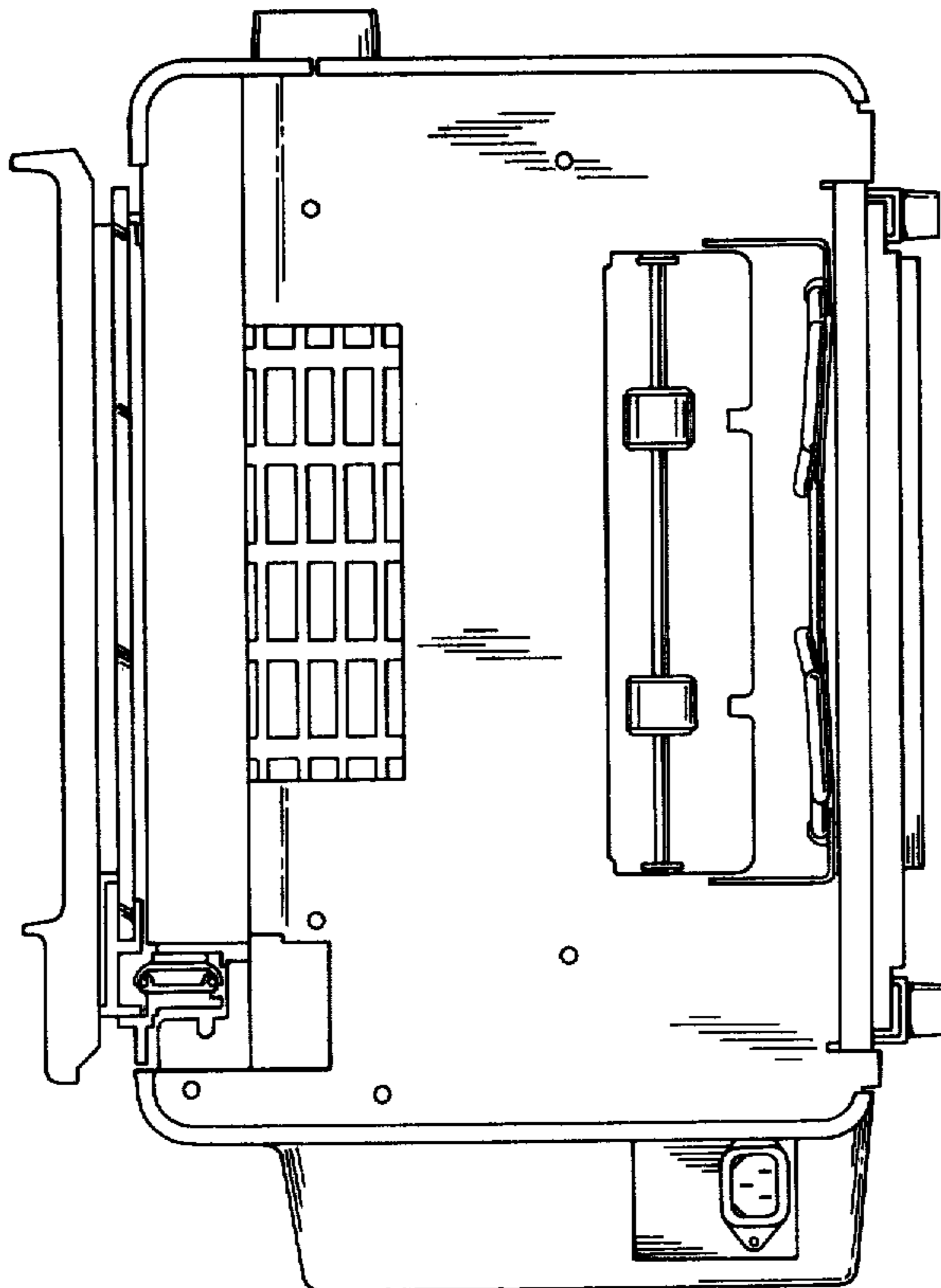


Fig. 5