

[54] SKI MAINTENANCE MACHINE

[76] Inventor: Gary R. Fontaine, 1208 Los Rios Dr.,
Carmichael, Calif. 95608

[**] Term: 14 Years

[21] Appl. No.: 23,662

[22] Filed: Mar. 26, 1979

[51] Int. Cl. D15-99

[52] U.S. Cl. D15/124; 51/135 R;
51/137

[58] Field of Search D15/124; 280/601;
51/135 R, 137

[56] References Cited

U.S. PATENT DOCUMENTS

2,384,777 9/1945 Westman 51/135 R
2,632,981 3/1953 Kniep 51/135 R

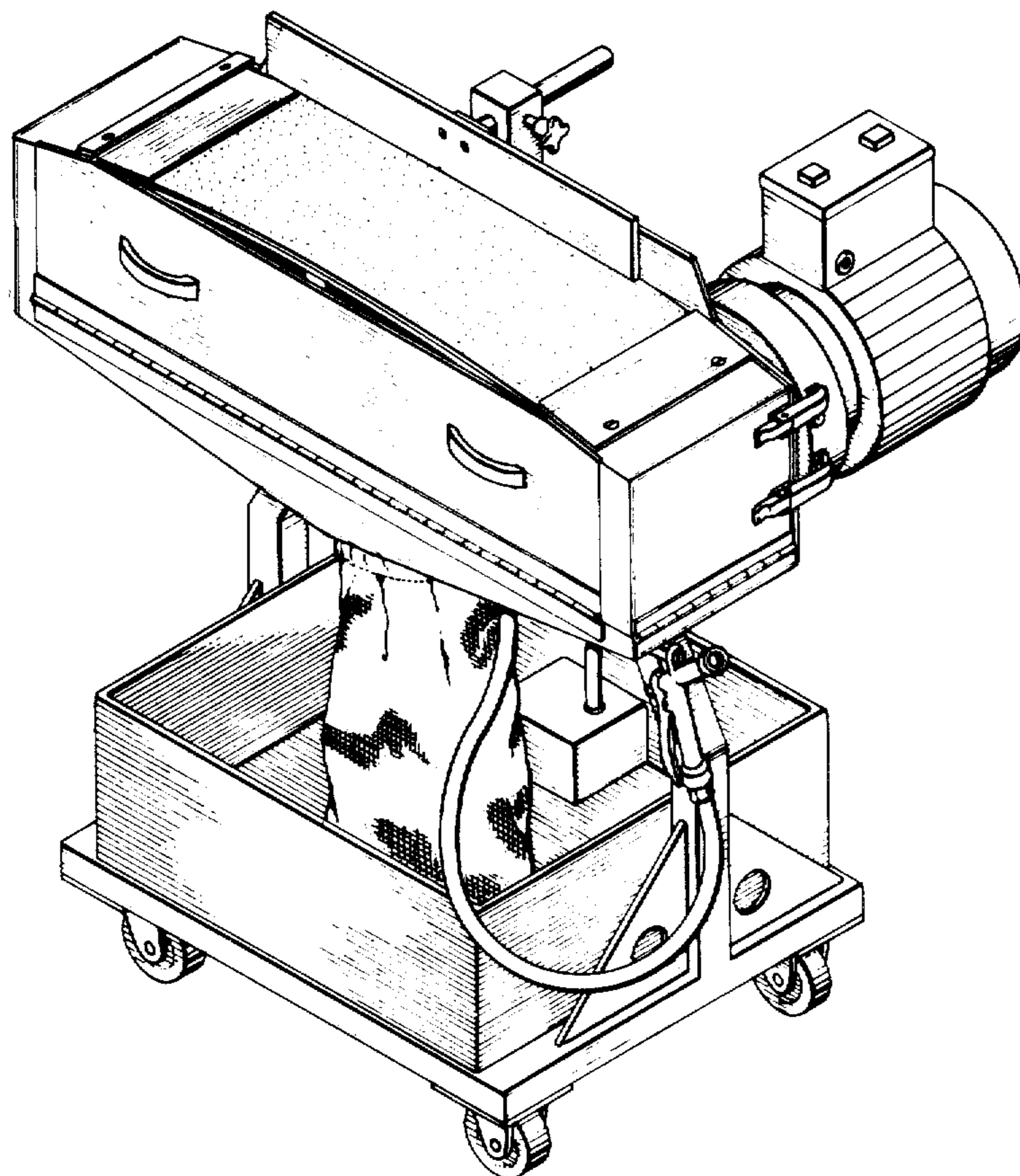
Primary Examiner—Veronica O'Keefe
Attorney, Agent, or Firm—Lothrop & West

[57] CLAIM

The ornamental design for a ski maintenance machine,
as shown and described.

DESCRIPTION

FIG. 1 is a right front perspective view of a ski maintenance machine, showing my new design;
FIG. 2 is a front elevational view thereof;
FIG. 3 is a top plan view thereof;
FIG. 4 is a rear elevational view thereof;
FIG. 5 is a right end elevational view thereof; and,
FIG. 6 is a left end elevational view thereof.



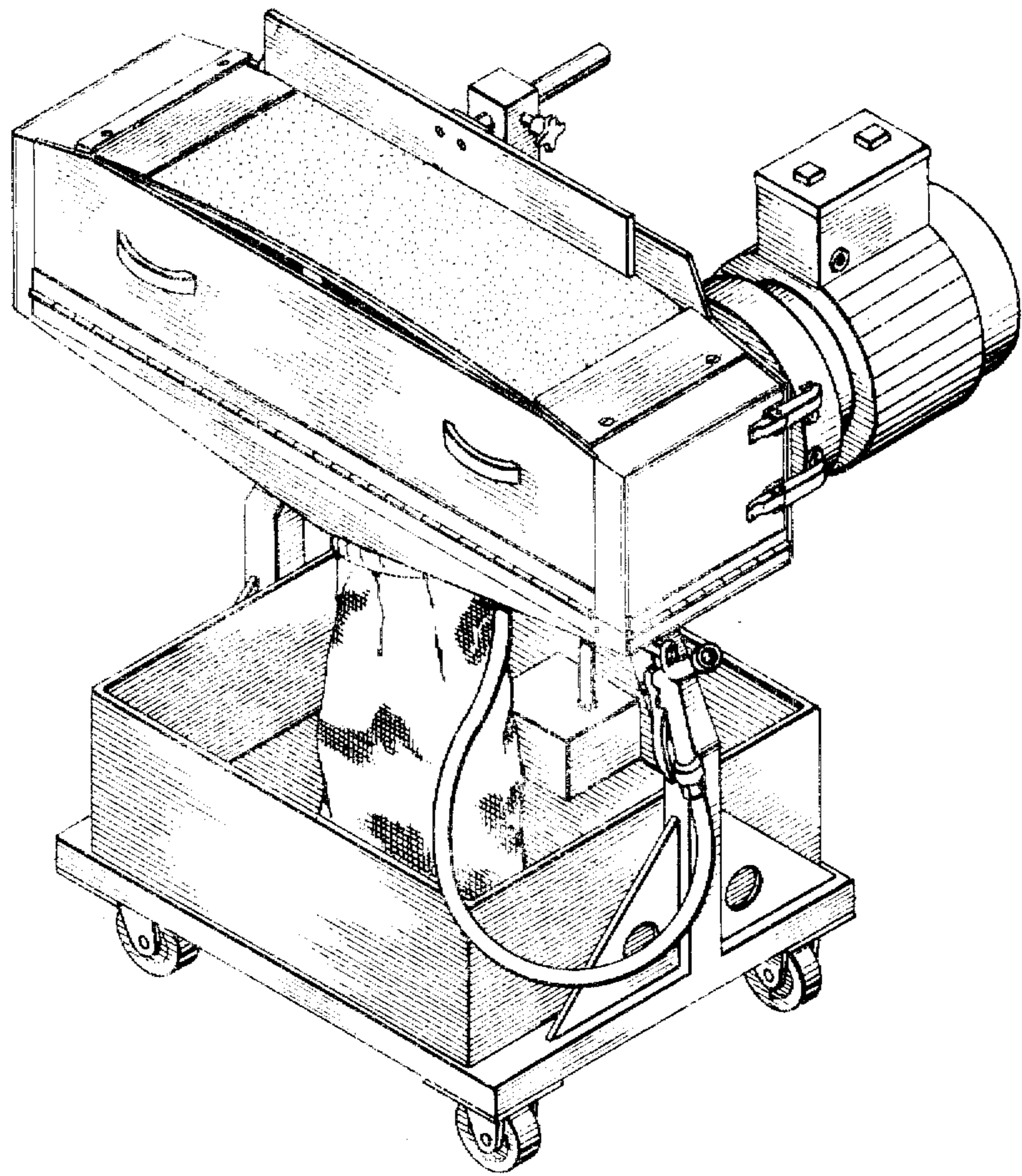


FIG-1

FIG-2

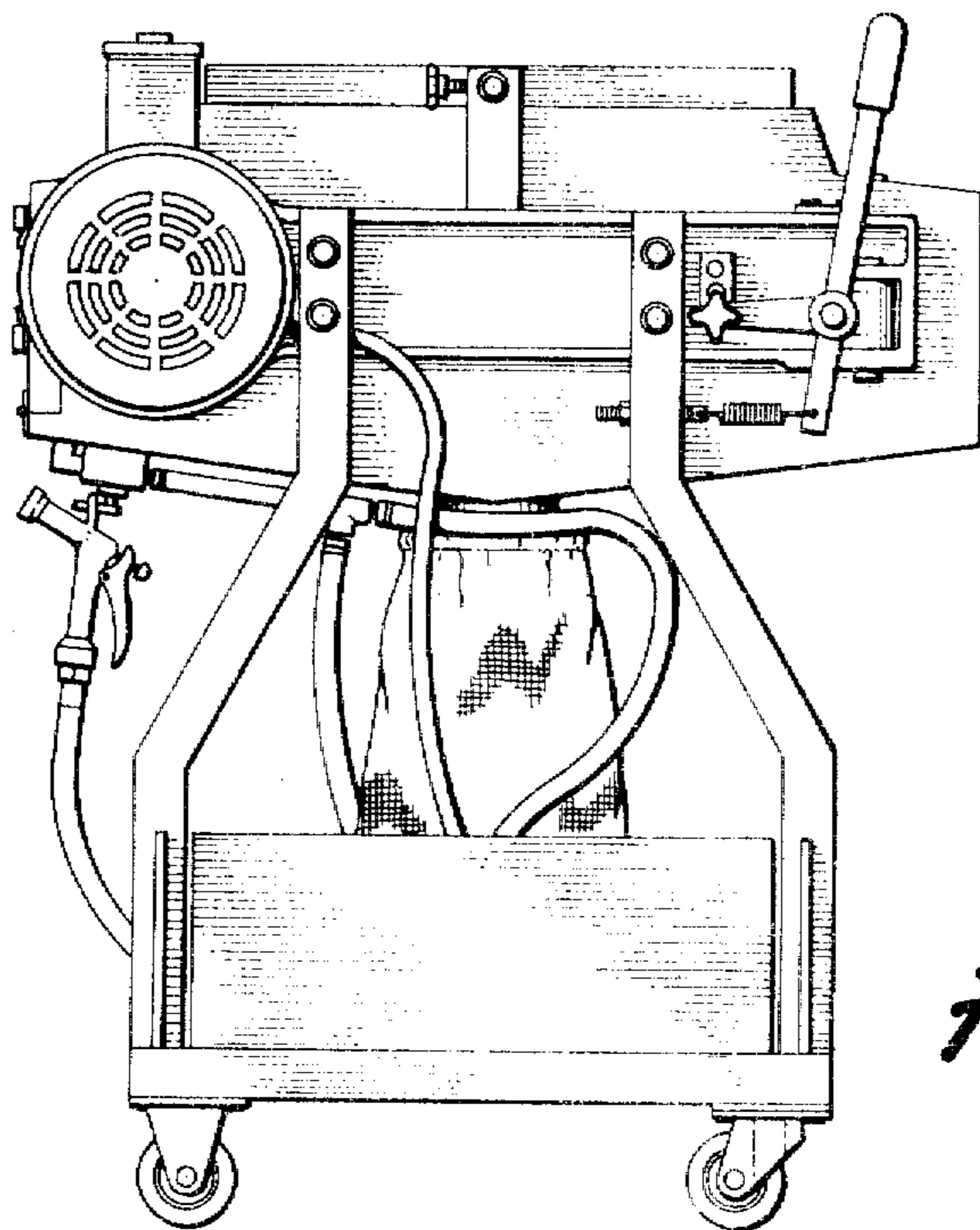
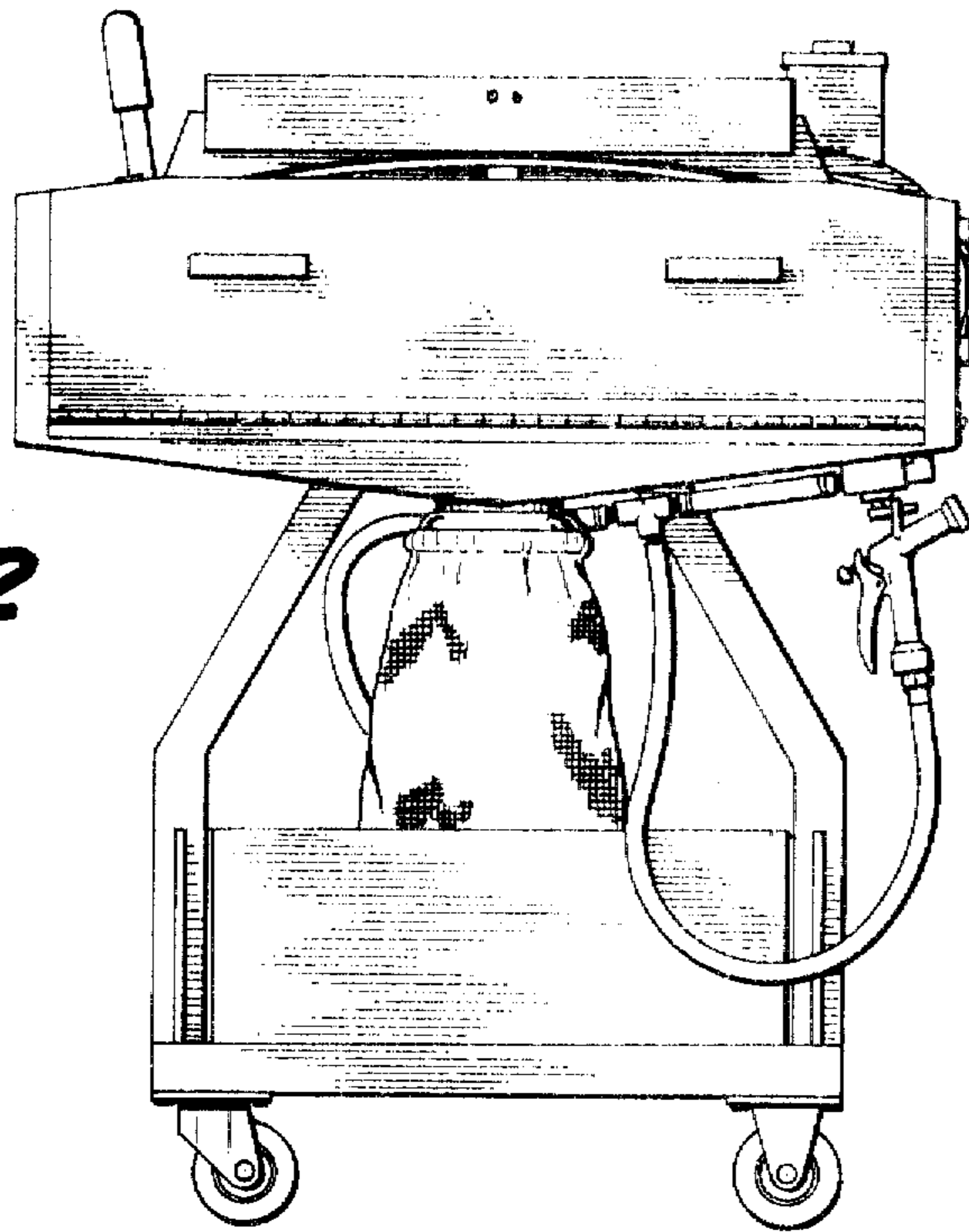


FIG-4

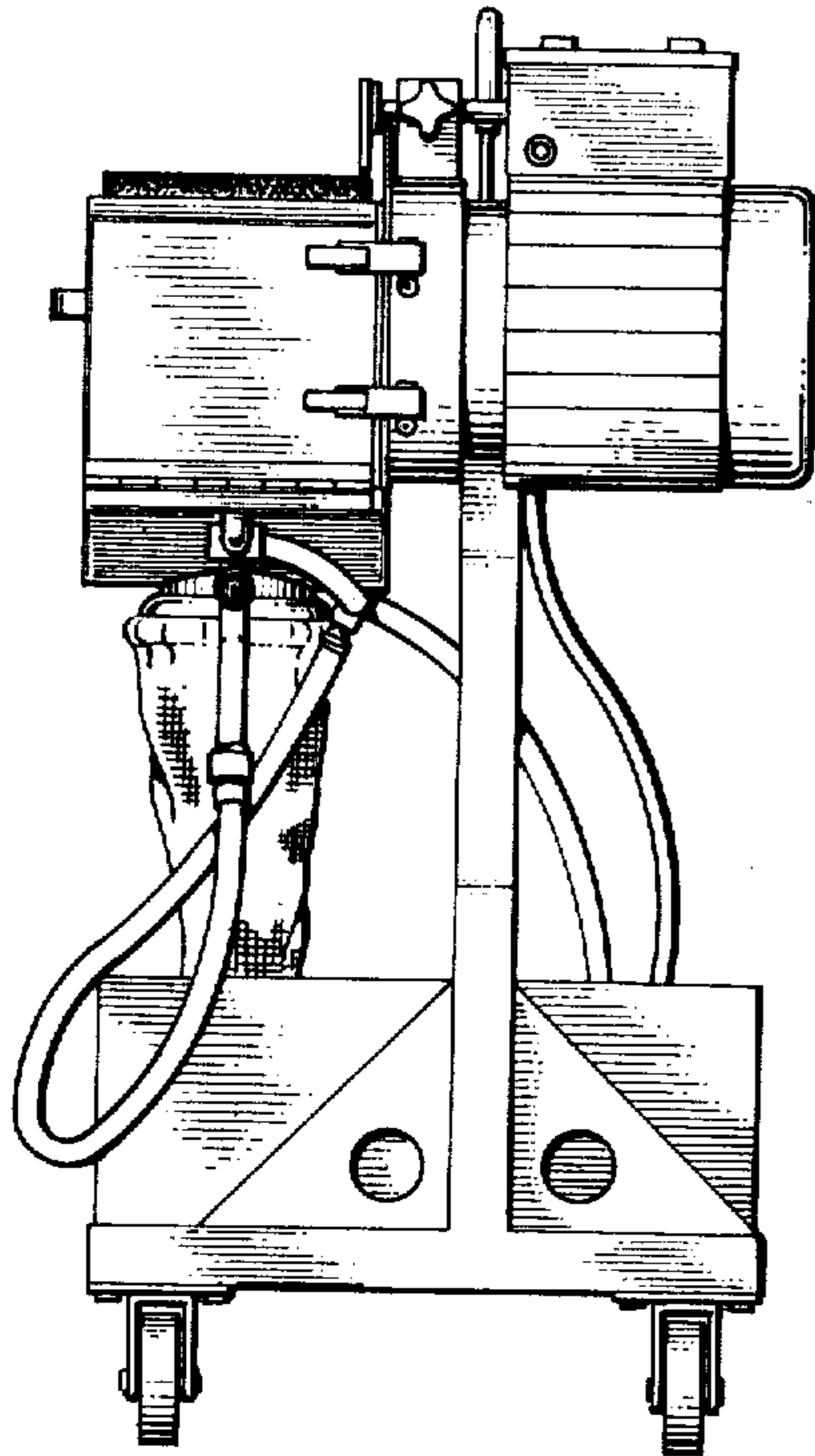


FIG. 5

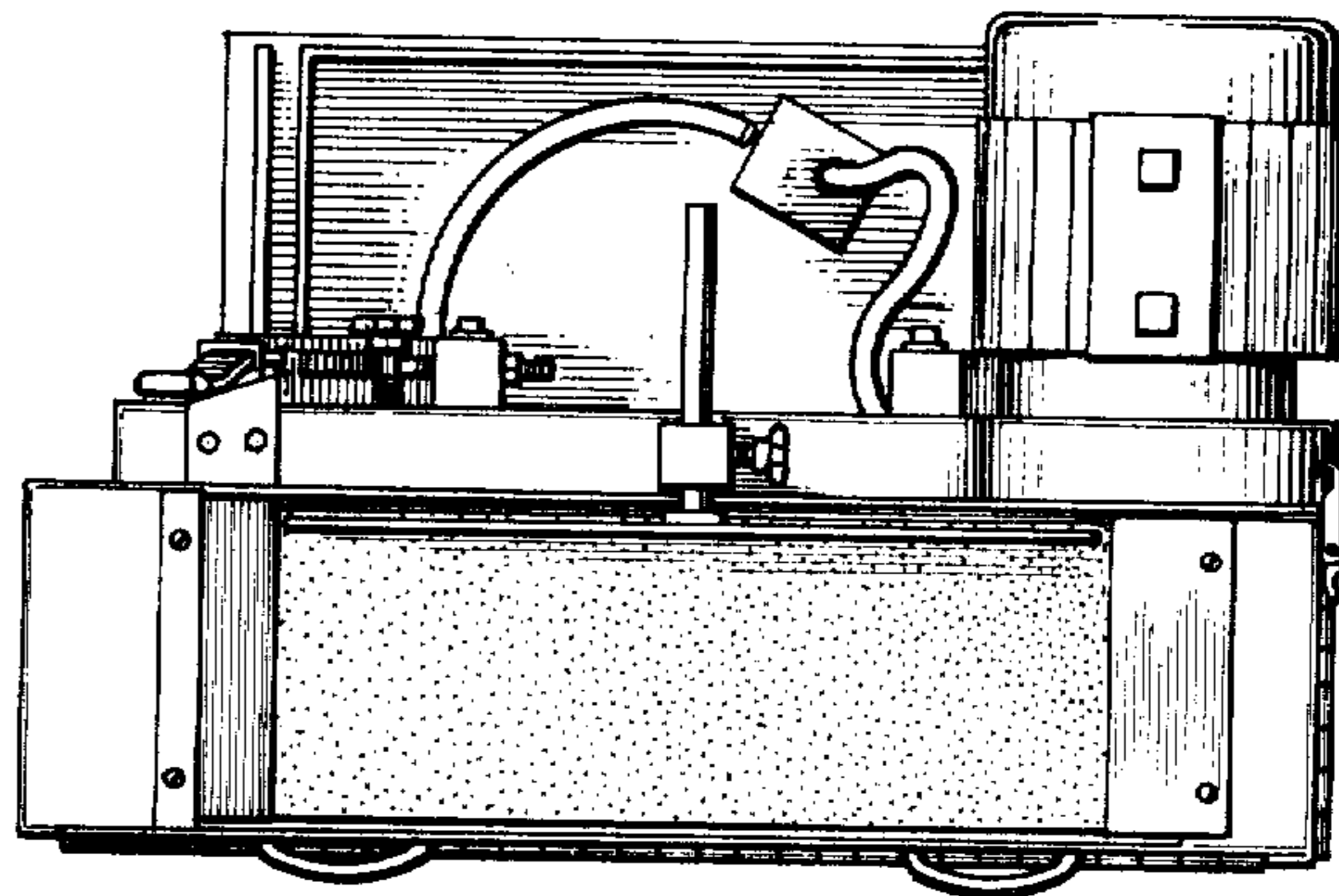


FIG. 3

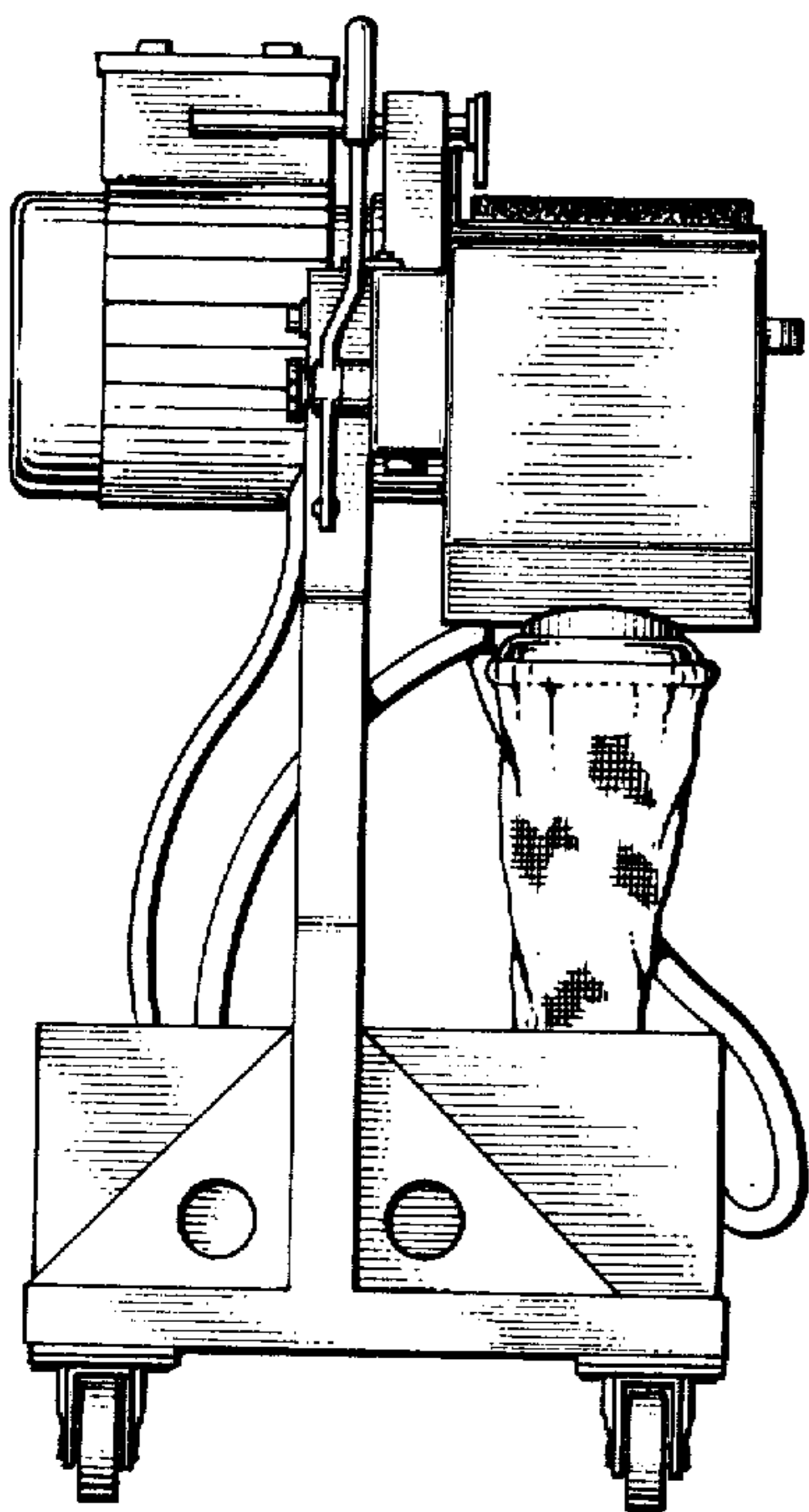


FIG. 6