

[54] **PUMP IMPELLER**  
 [75] Inventor: **Magnus Erikson**, Johanneshov, Sweden  
 [73] Assignee: **ITT Industries, Inc.**, New York, N.Y.  
 [\*\*] Term: **14 Years**  
 [21] Appl. No.: **88,044**  
 [22] Filed: **Oct. 24, 1979**  
 [30] **Foreign Application Priority Data**  
 Apr. 27, 1979 [SE] Sweden ..... 79001081  
 [51] Int. Cl. .... **D15-02**  
 [52] U.S. Cl. .... **D15/7**  
 [58] Field of Search ..... **D15/7-9;**  
 418/153, 243, 248, 249

[56] **References Cited**  
**U.S. PATENT DOCUMENTS**  
 D. 27,078 5/1897 Cahill et al. .... D15/9  
 D. 258,588 3/1981 Sugiura ..... D15/7  
 D. 258,589 3/1981 Sugiura ..... D15/7  
 1,716,901 6/1929 Rochford ..... 418/148  
 2,002,454 5/1935 Rupp ..... D15/7 X  
 3,136,304 6/1964 Tauscher ..... 418/146 X

3,303,790 2/1967 McChay ..... 418/153

**FOREIGN PATENT DOCUMENTS**  
 488450 7/1938 United Kingdom ..... 418/145

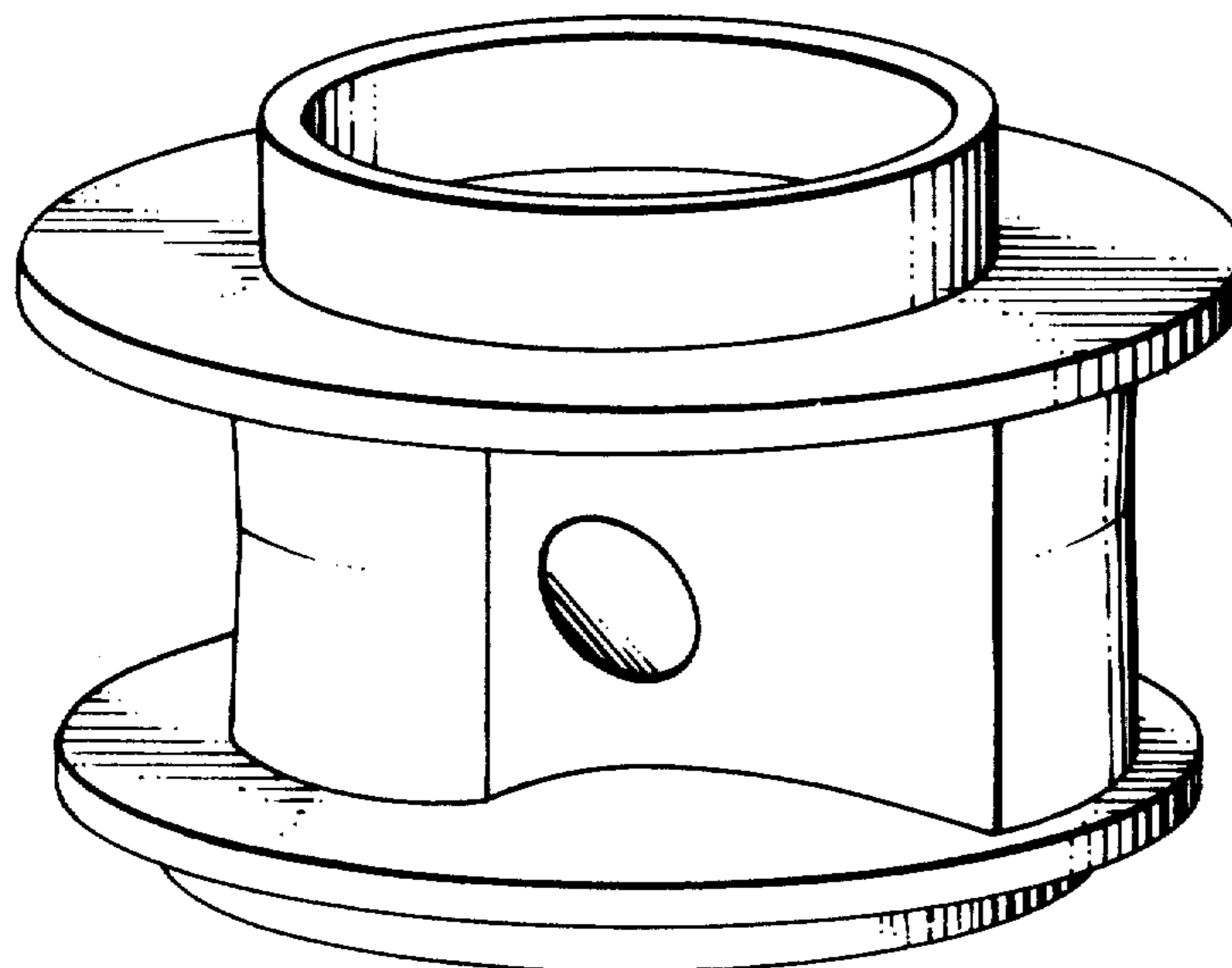
*Primary Examiner*—James R. Largen  
*Attorney, Agent, or Firm*—A. Donald Stolzy

[57] **CLAIM**

The ornamental design for a pump impeller, substantially as shown.

**DESCRIPTION**

FIG. 1 is a perspective view taken from the top and one side of a pump impeller showing my new design;  
 FIG. 2 is a perspective view taken from the bottom and side opposite that shown in FIG. 1;  
 FIG. 3 is a bottom plan view thereof;  
 FIG. 4 is a side elevational view taken on the plane indicated by line 4—4 on FIG. 3;  
 FIG. 5 is a side elevational view taken on the plane indicated by line 5—5 on FIG. 3;  
 FIG. 6 is a side elevational view taken on the plane indicated by line 6—6 on FIG. 3;  
 FIG. 7 is a side elevational view taken on the plane indicated by line 7—7 on FIG. 3; and  
 FIG. 8 is a top plan view thereof.



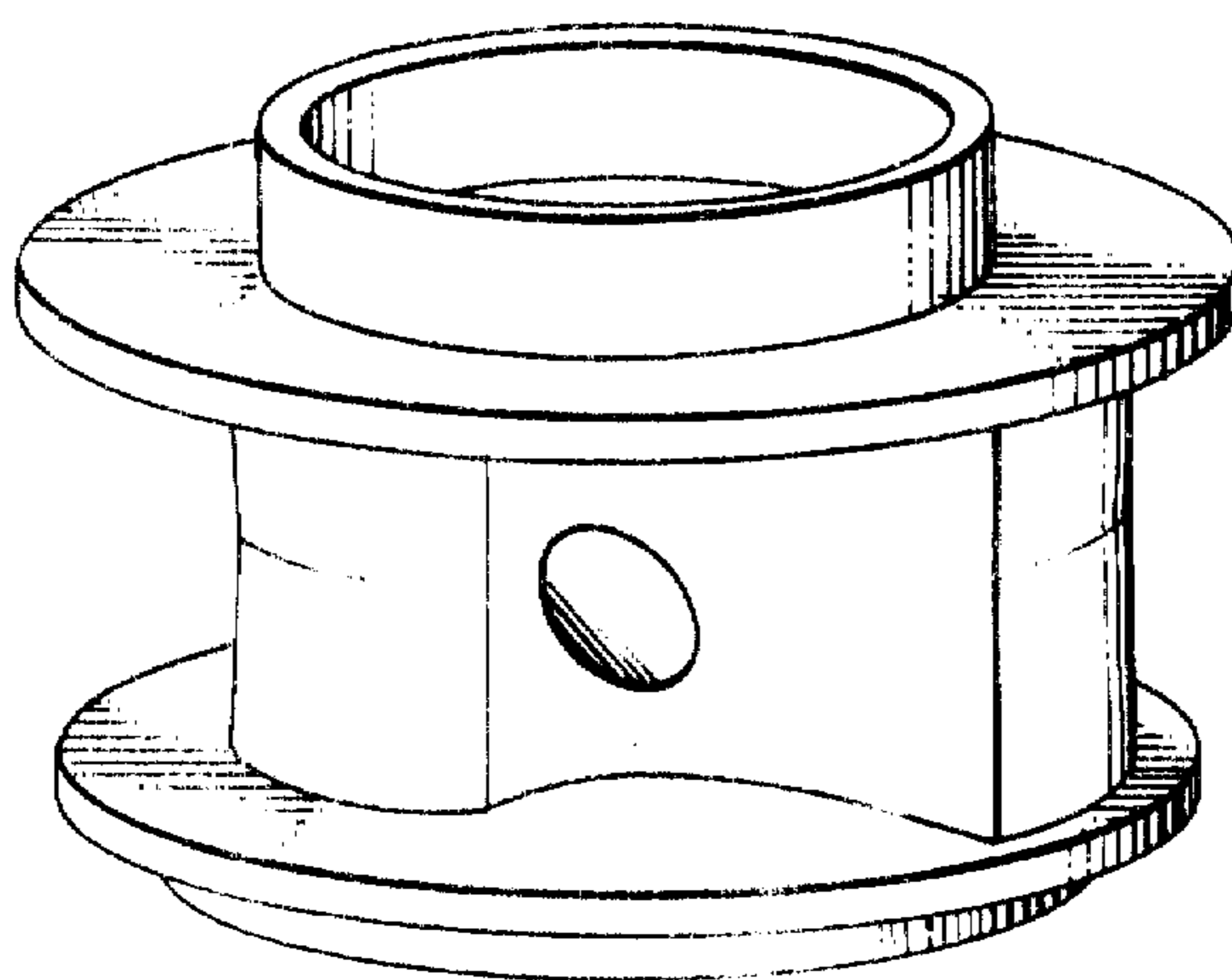


FIG. 1

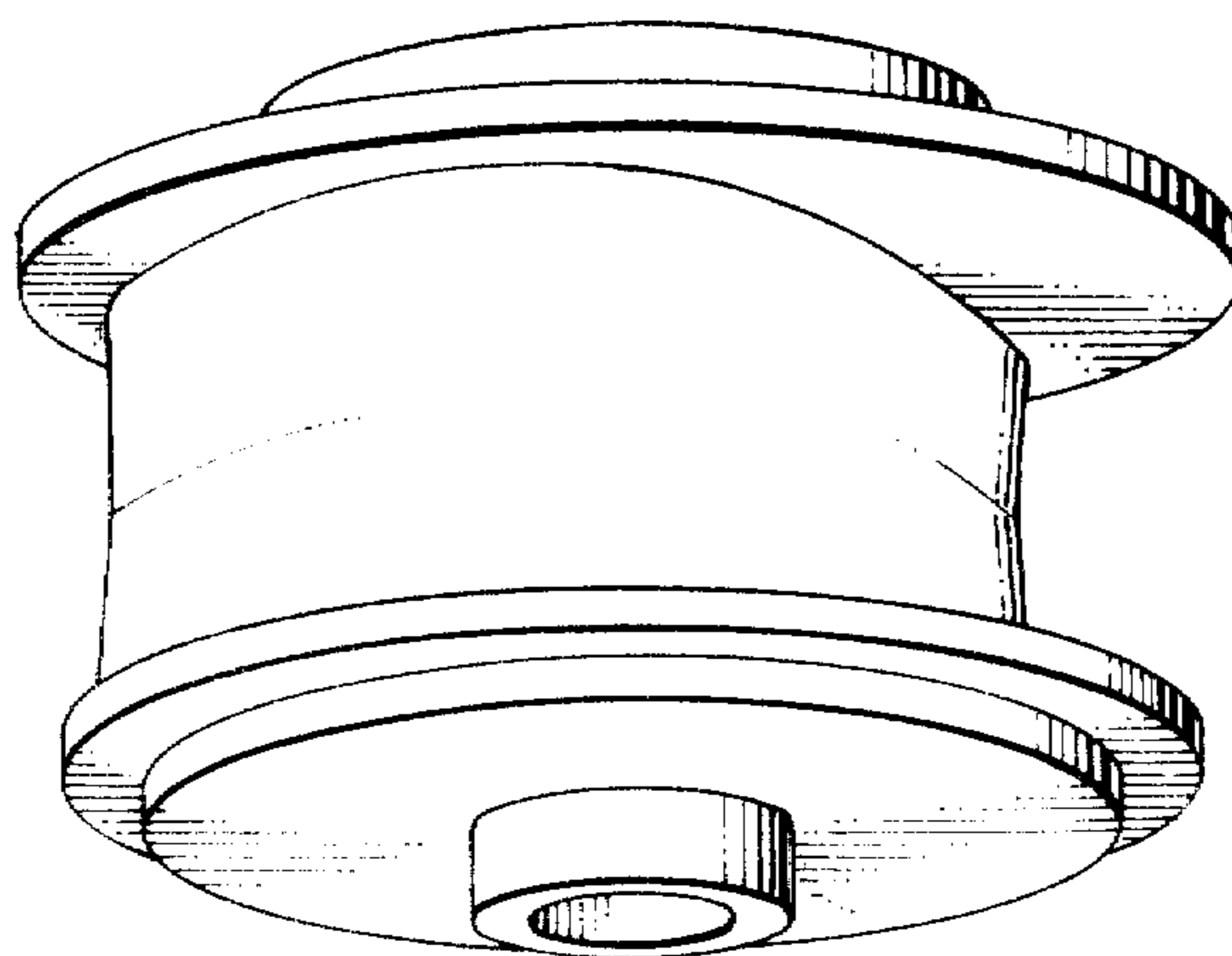


FIG. 2

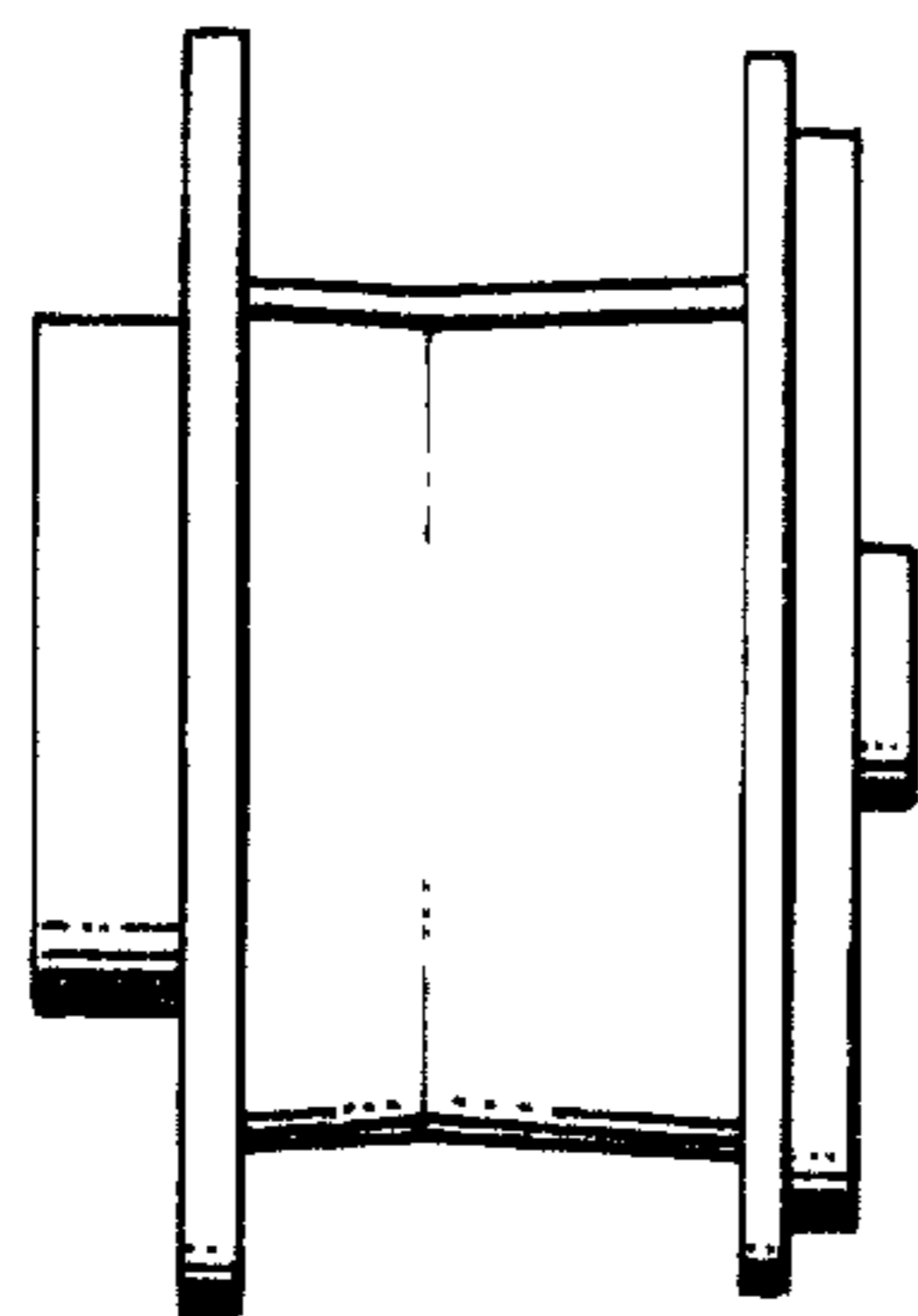


FIG. 4

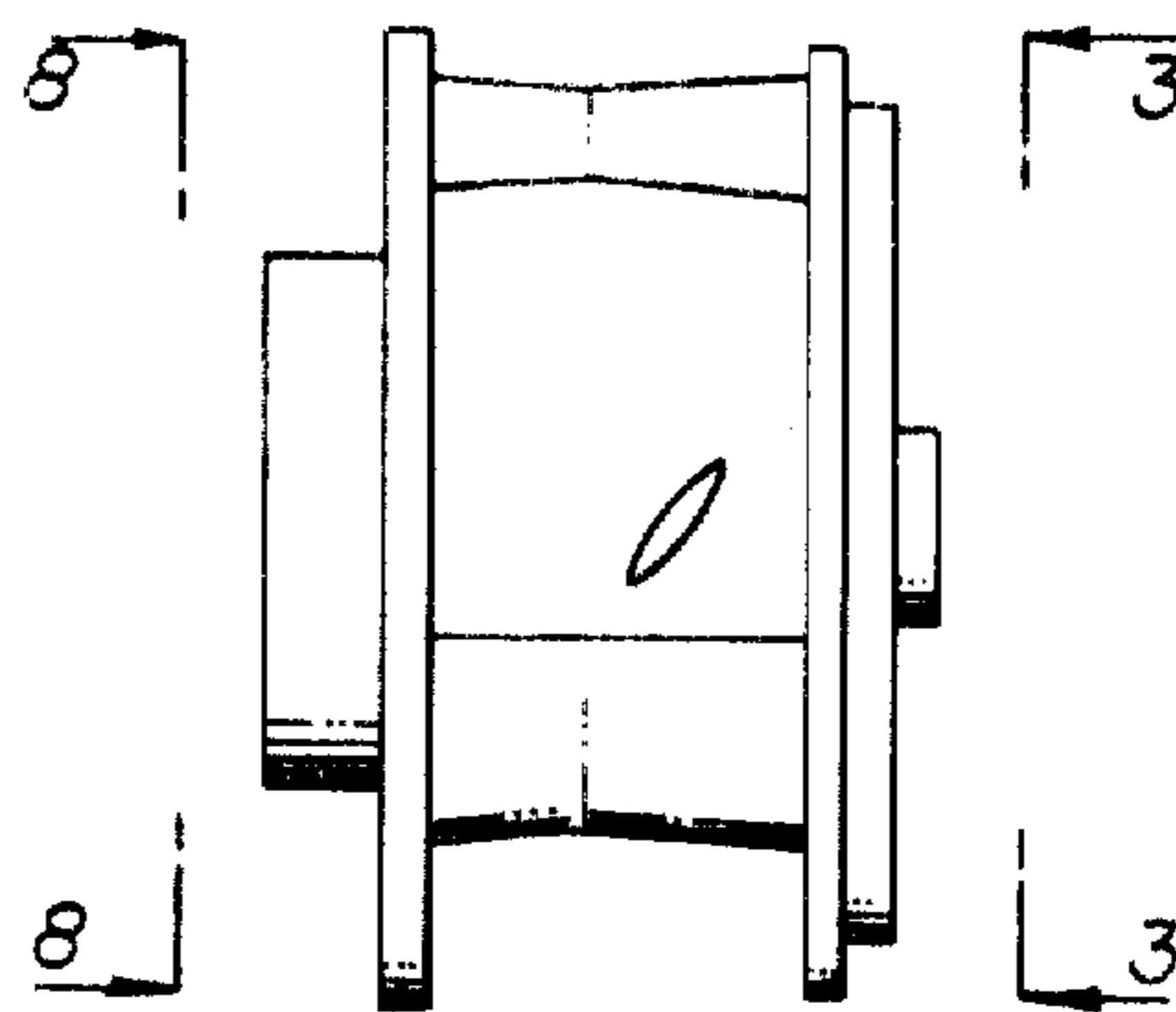


FIG. 5

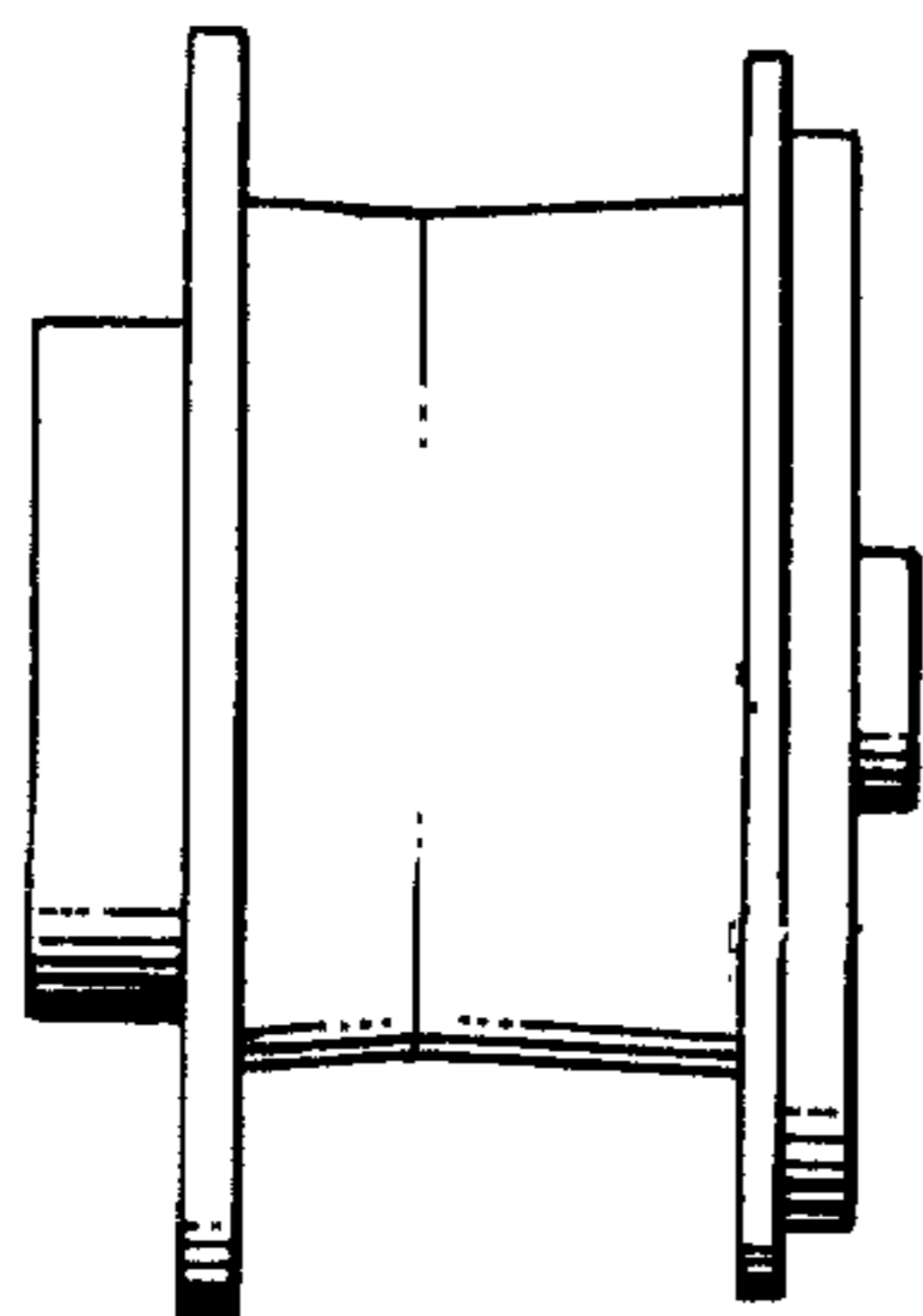


FIG. 6

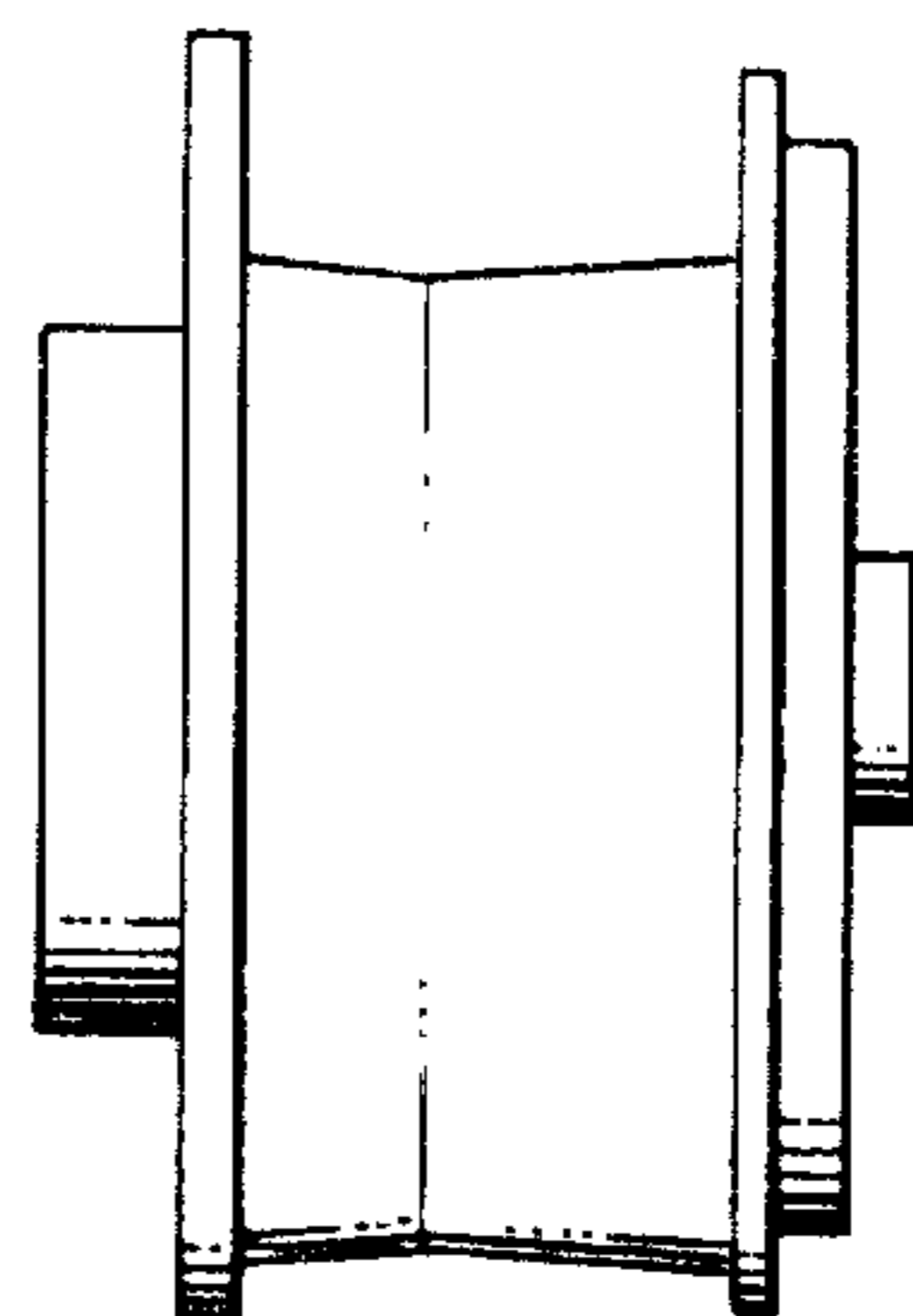


FIG. 7

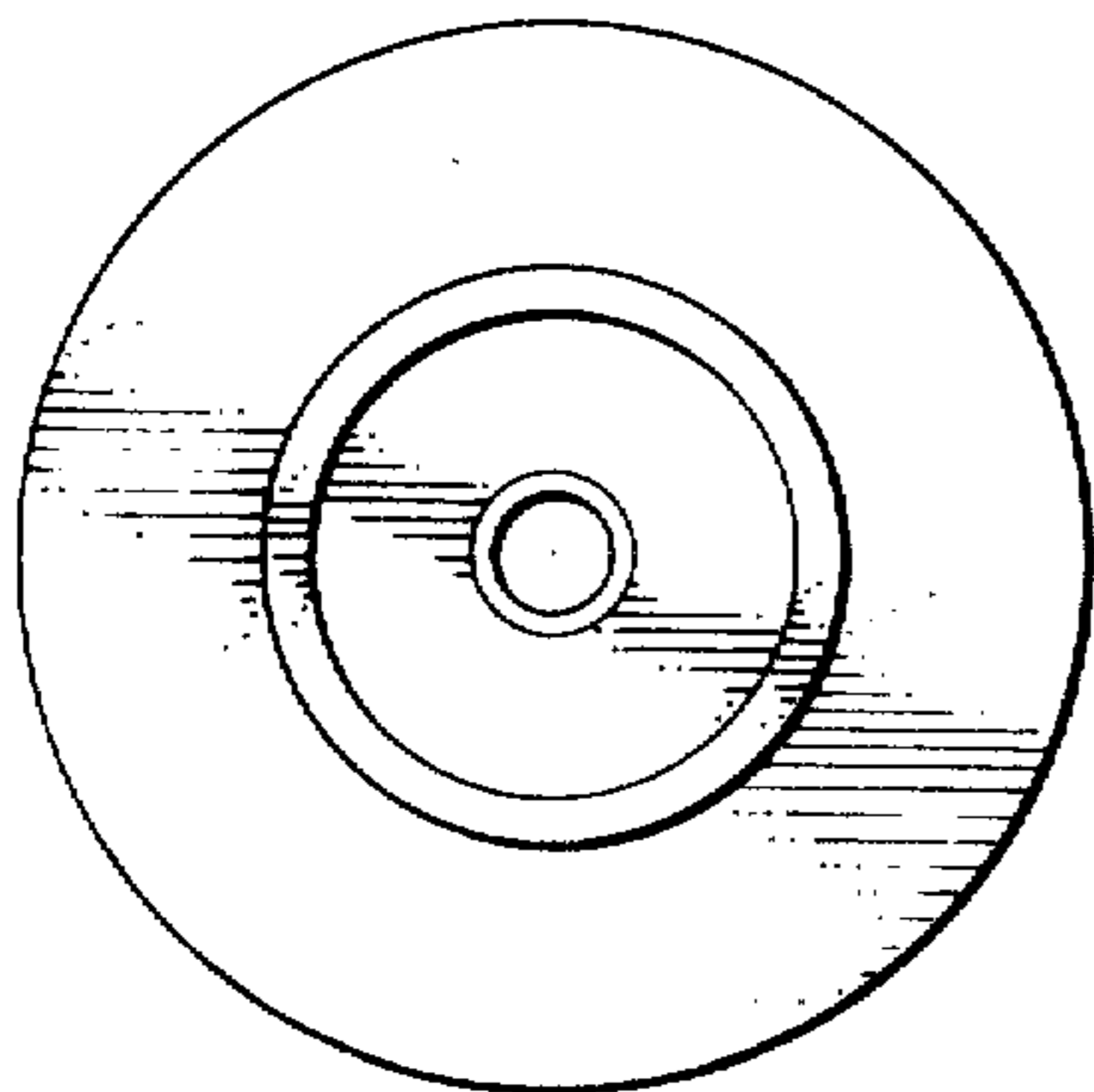


FIG. 8

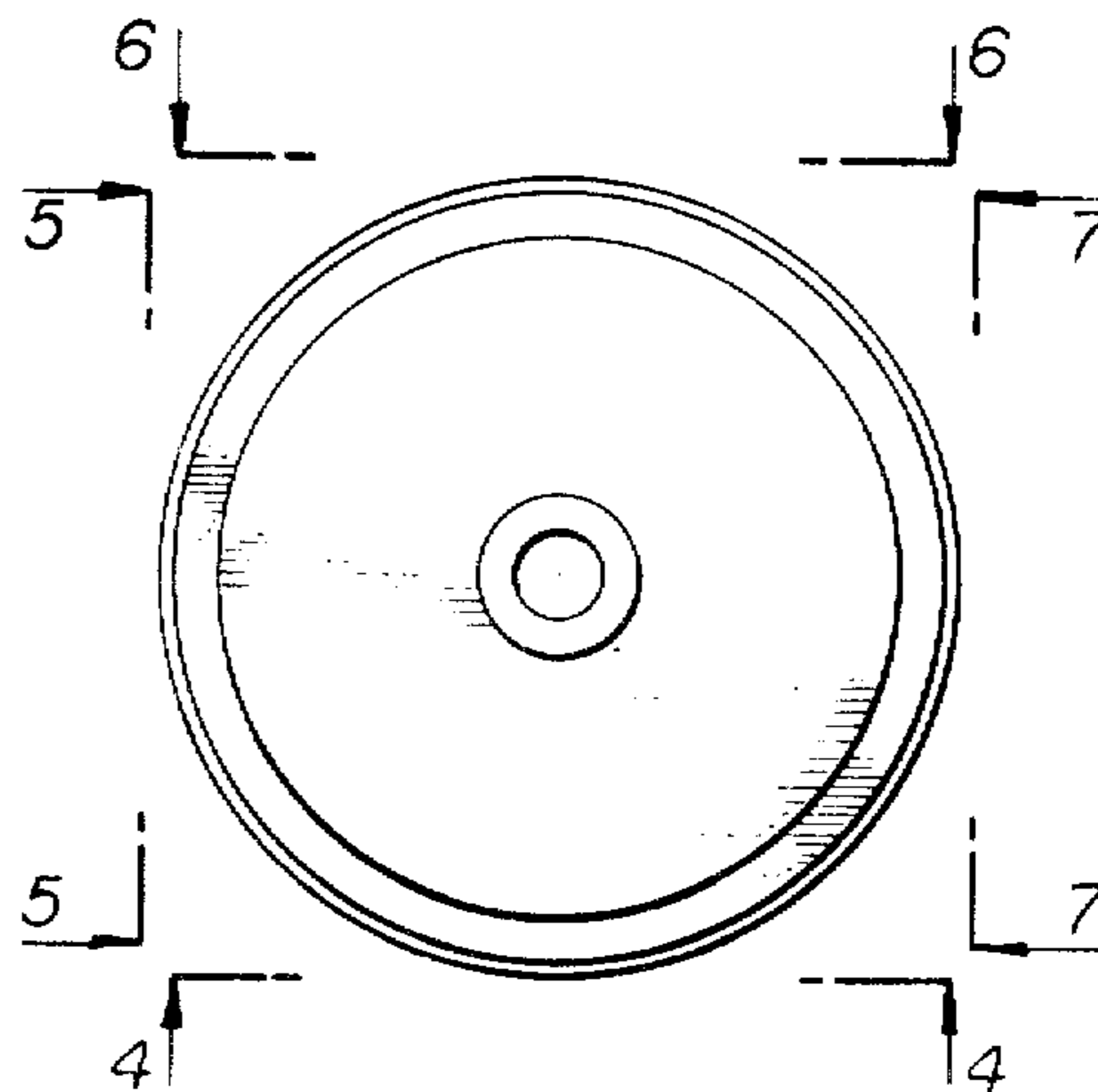


FIG. 3