

[54] BOTTLE

[75] Inventors: **John Pardo**, Yonkers, N.Y.; **David A. Jones**, Kettering, Ohio

[73] Assignee: **The Drackett Company**, Cincinnati, Ohio

[\*\*] Term: **14 Years**

[21] Appl. No.: **103,013**

[22] Filed: **Dec. 13, 1979**

[51] Int. Cl. .... **D9-01**

[52] U.S. Cl. .... **D9/378**

[58] Field of Search ..... D9/376, 378, 379, 404; 215/1 R, 1 C

D. 236,431 8/1975 Pardo ..... D9/378

D. 246,632 12/1977 Gulley et al. .... D9/378

D. 246,897 1/1978 Jones et al. .... D9/404

*Primary Examiner*—Robert C. Spangler  
*Attorney, Agent, or Firm*—Sharon A. Blinkoff; George A. Mentis

[57] CLAIM

The ornamental design for a bottle, as shown and described.

DESCRIPTION

FIG. 1 is a side elevational view of a bottle showing our new design, the opposite side being a mirror image of the side shown;

FIG. 2 is an elevational view looking from the right of FIG. 1;

FIG. 3 is an elevational view looking from the left of FIG. 1;

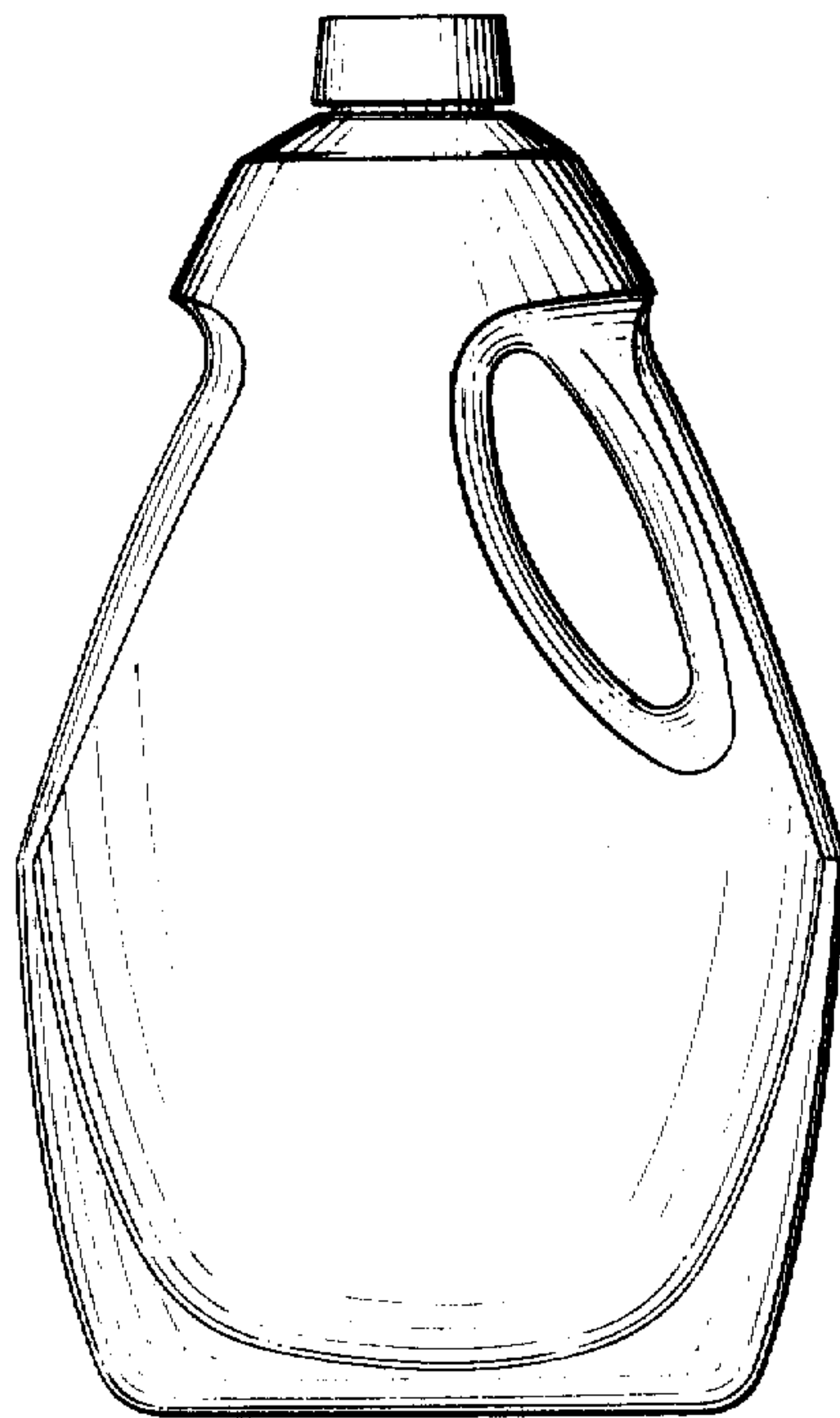
FIG. 4 is a top plan view; and

FIG. 5 is a bottom plan view thereof.

[56] **References Cited**  
**U.S. PATENT DOCUMENTS**

D. 200,260 2/1965 Craig et al. .... D9/376

D. 212,456 10/1968 Vanderhyde ..... D9/378



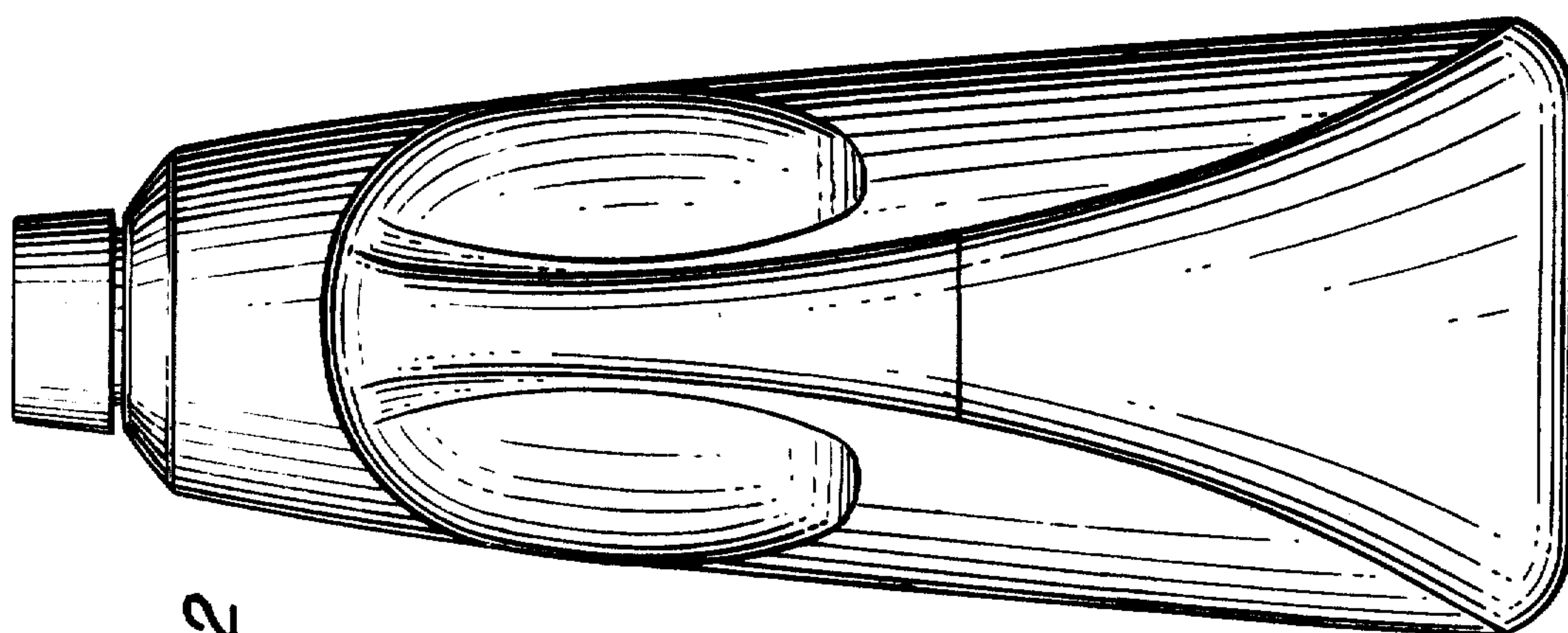


FIG. 2

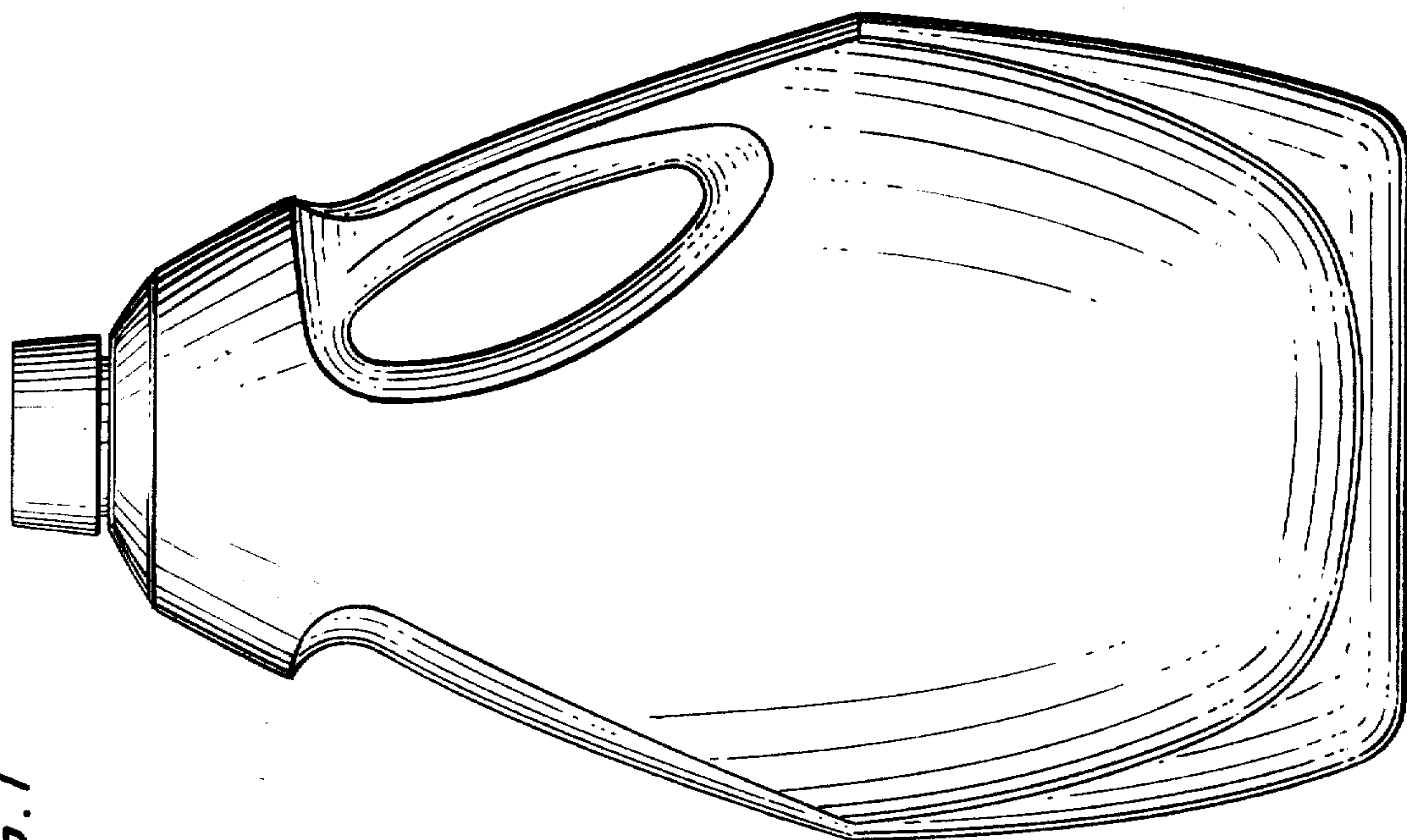


FIG. 1

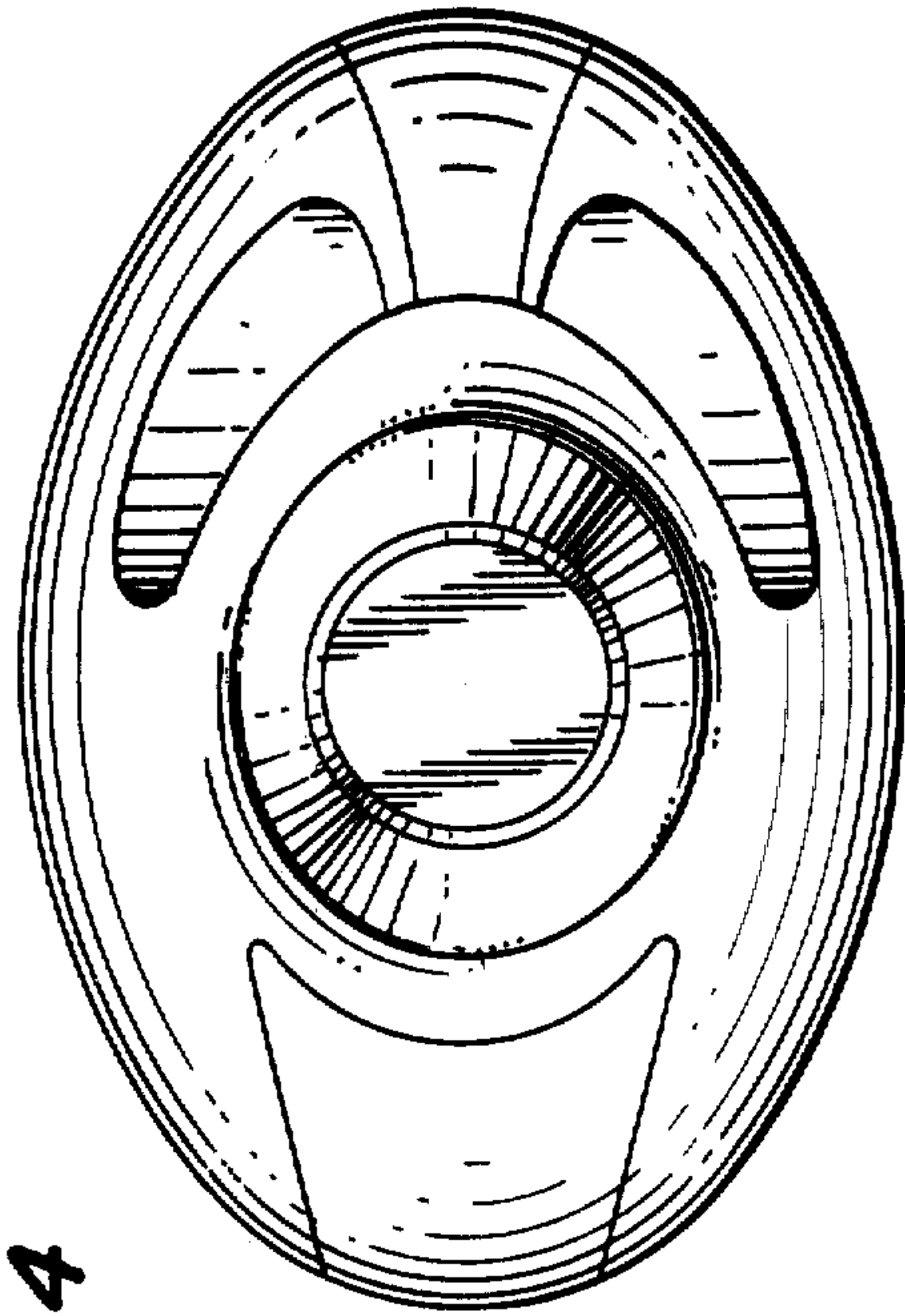


FIG. 4

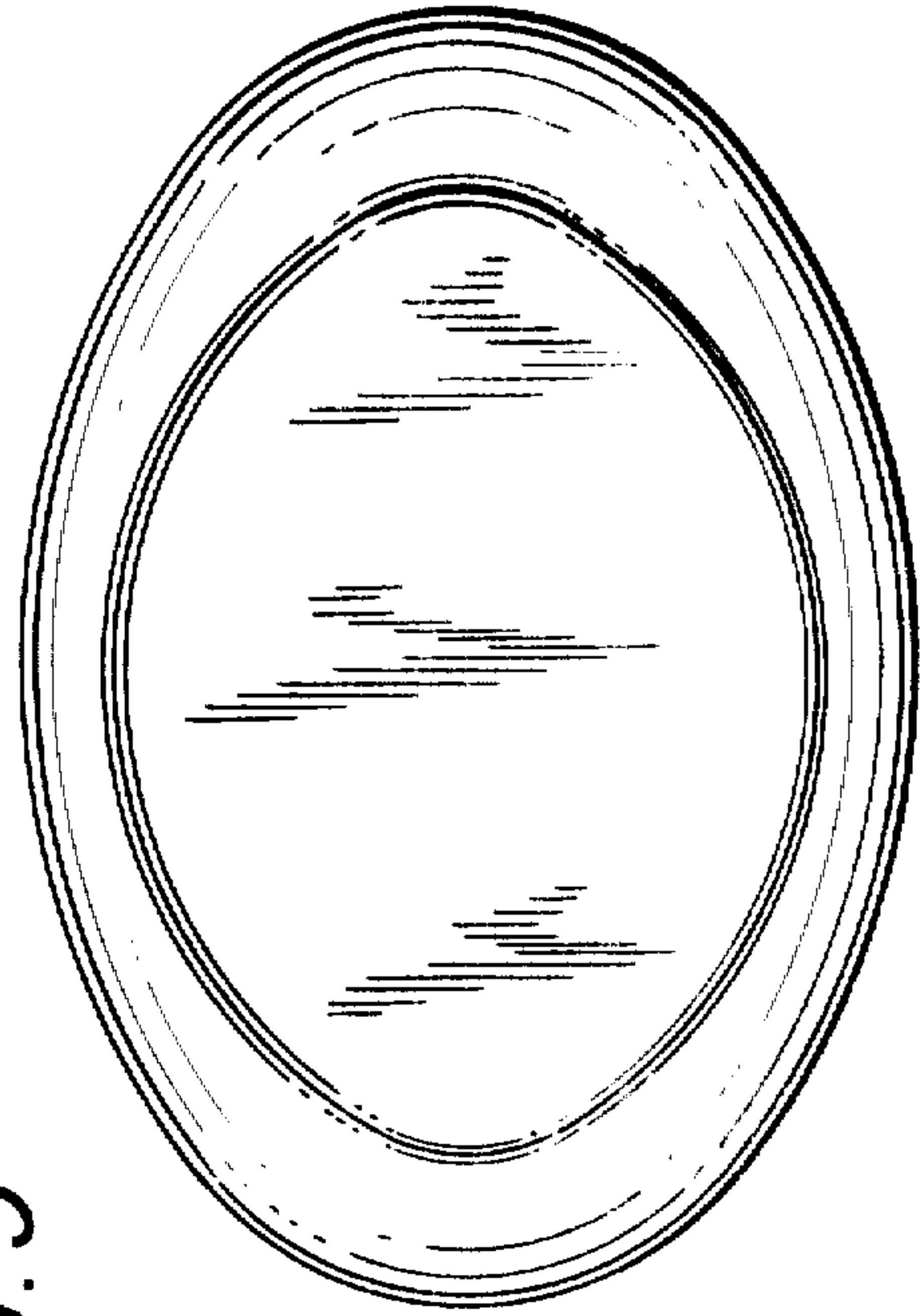


FIG. 5

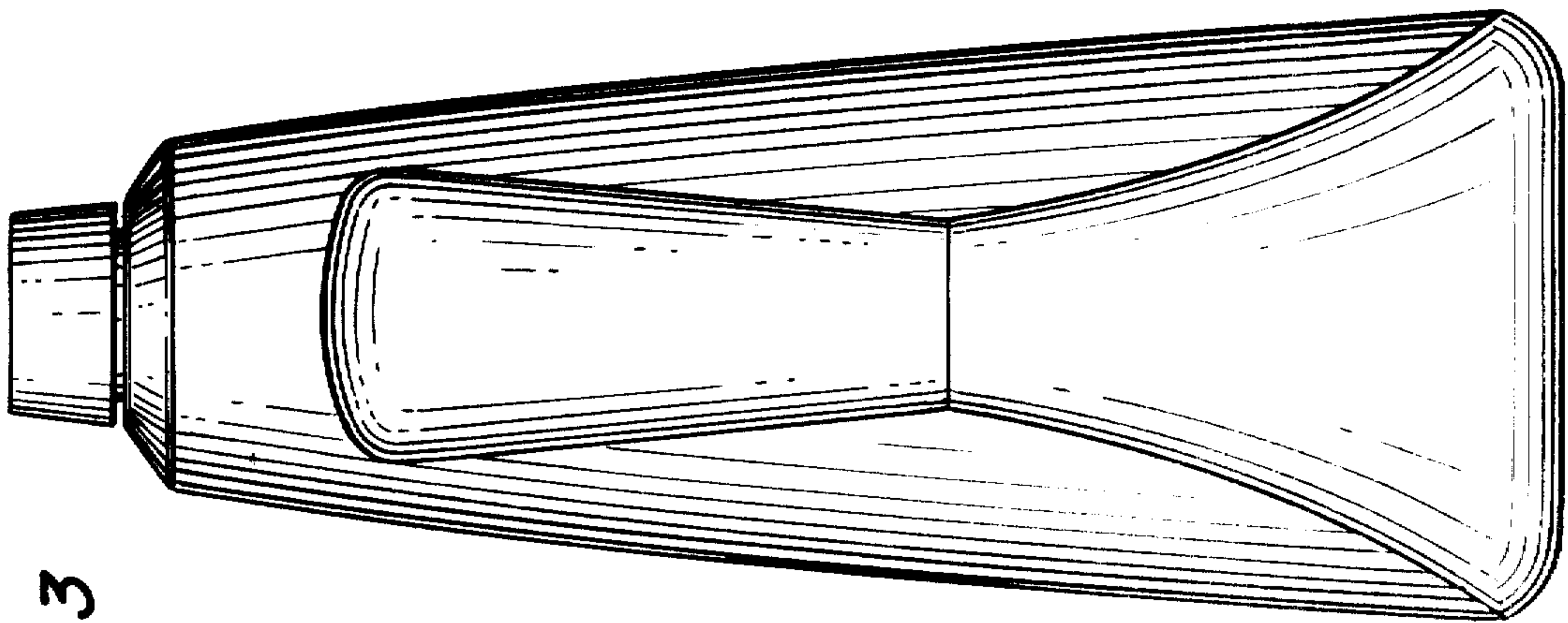


FIG. 3