

[54] JAR

[75] Inventor: **James E. Cottrell**, Los Angeles, Calif.

[73] Assignee: **Pro-Line Corporation**, Dallas, Tex.

[**] Term: **14 Years**

[21] Appl. No.: **94,864**

[22] Filed: **Nov. 15, 1979**

[51] Int. Cl. **D9-01**

[52] U.S. Cl. **D9/370; D9/401**

[58] Field of Search **D9/367, 370, 401, 403, D9/413; 215/1 R, 1 C, 10**

D. 98,958 3/1936 Piazzoli D9/413

D. 133,636 9/1942 McIntosh D9/318

2,631,747 3/1953 Stolte 215/10

Primary Examiner—Robert C. Spangler
Attorney, Agent, or Firm—Robert Louis Finkel

[57] **CLAIM**

The ornamental design for a jar, as shown and described.

DESCRIPTION

FIG. 1 is a perspective view looking downwardly at the top of a jar embodying my new design;

FIG. 2 is perspective view looking downwardly at the inverted bottom of the jar of FIG. 1;

FIG. 3 is an elevational view of one of the four identical sides of the jar of FIG. 1;

FIG. 4 is a plan view looking downwardly at the top of the jar of FIG. 1; and

FIG. 5 is a plan view of the bottom of the jar of FIG. 1.

[56] **References Cited**

U.S. PATENT DOCUMENTS

D. 33,630 12/1900 Kilmer D9/370

D. 98,913 3/1936 Brand et al. D9/401 X

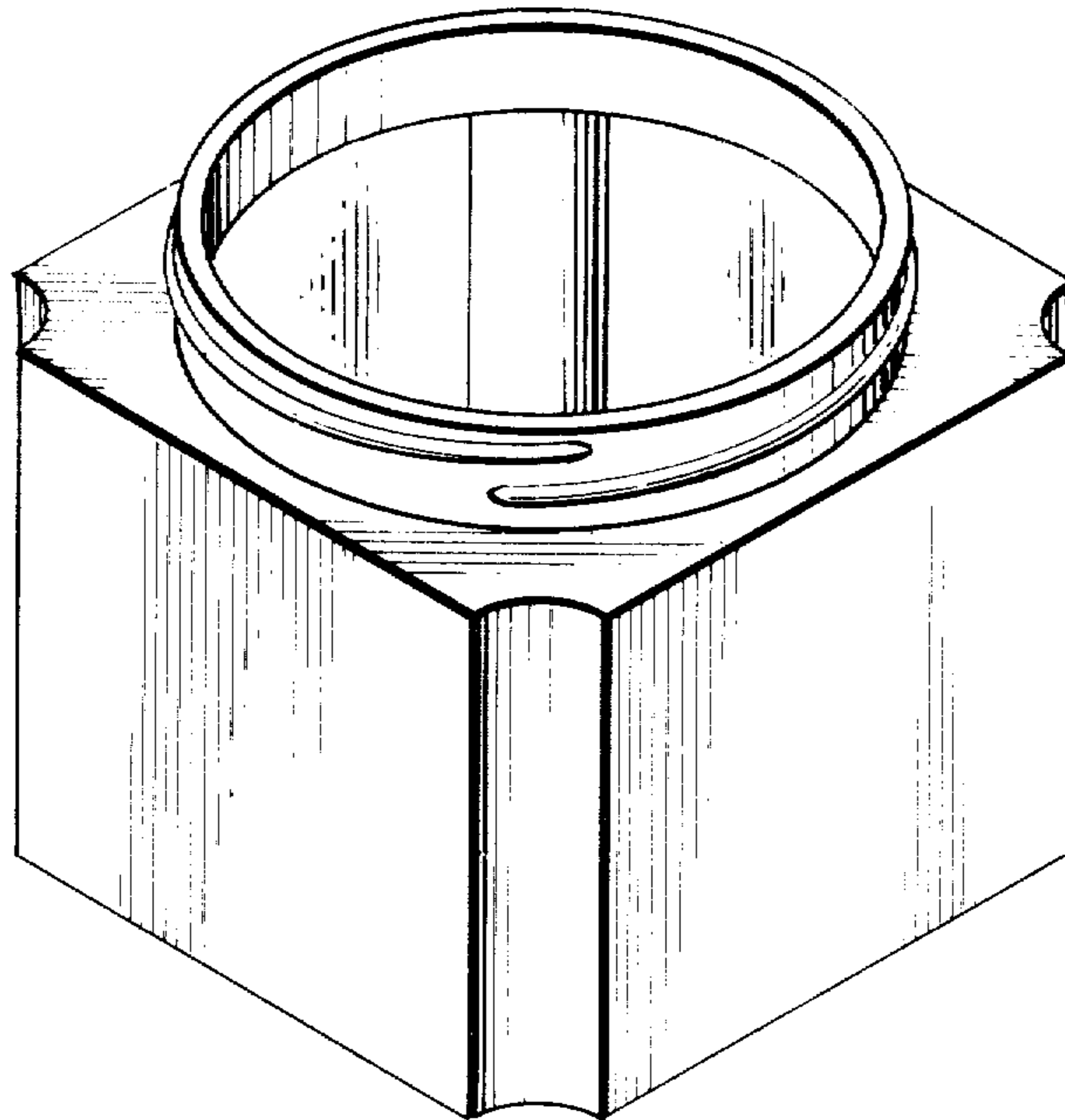


FIG. 1

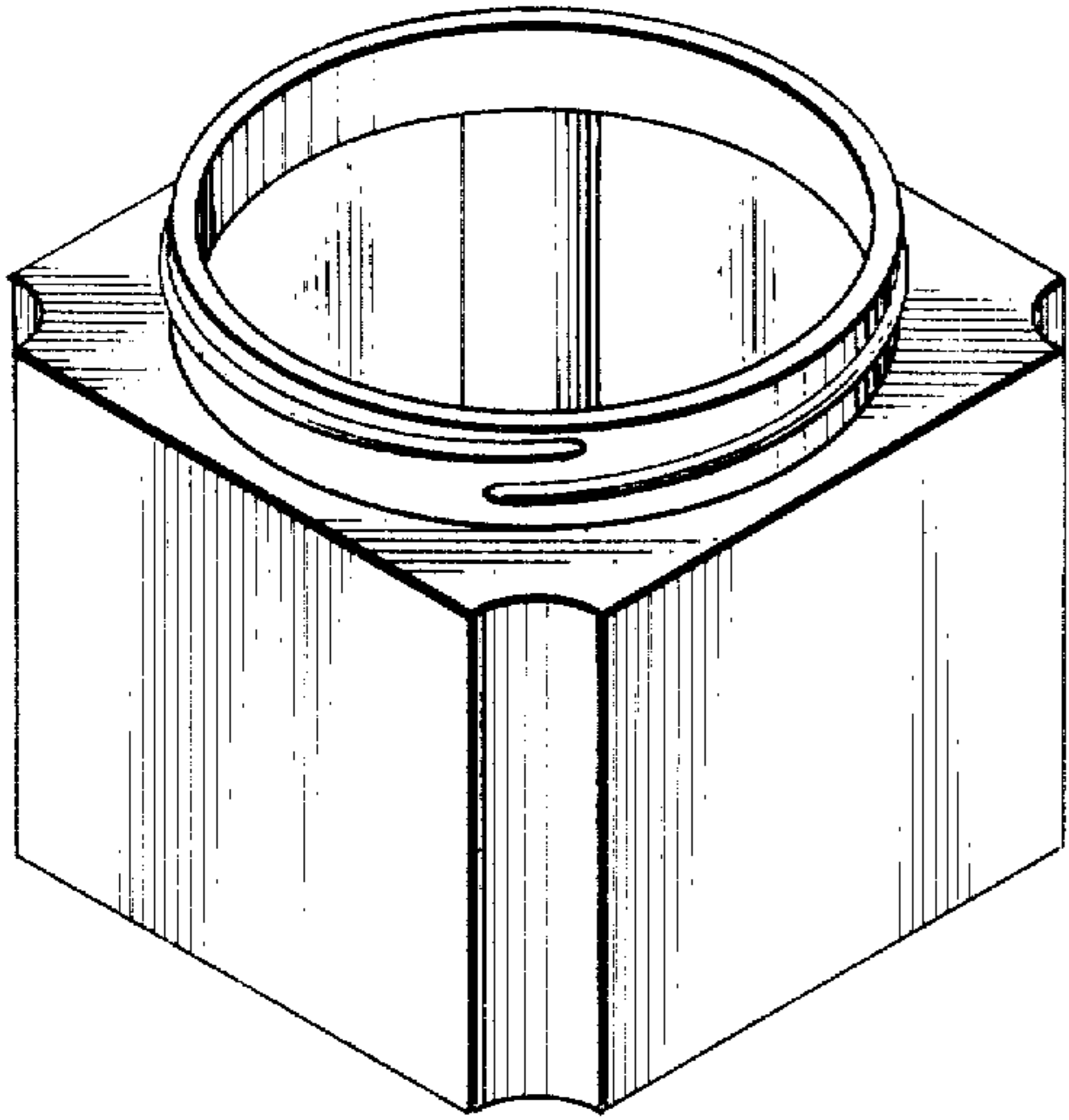


FIG. 2

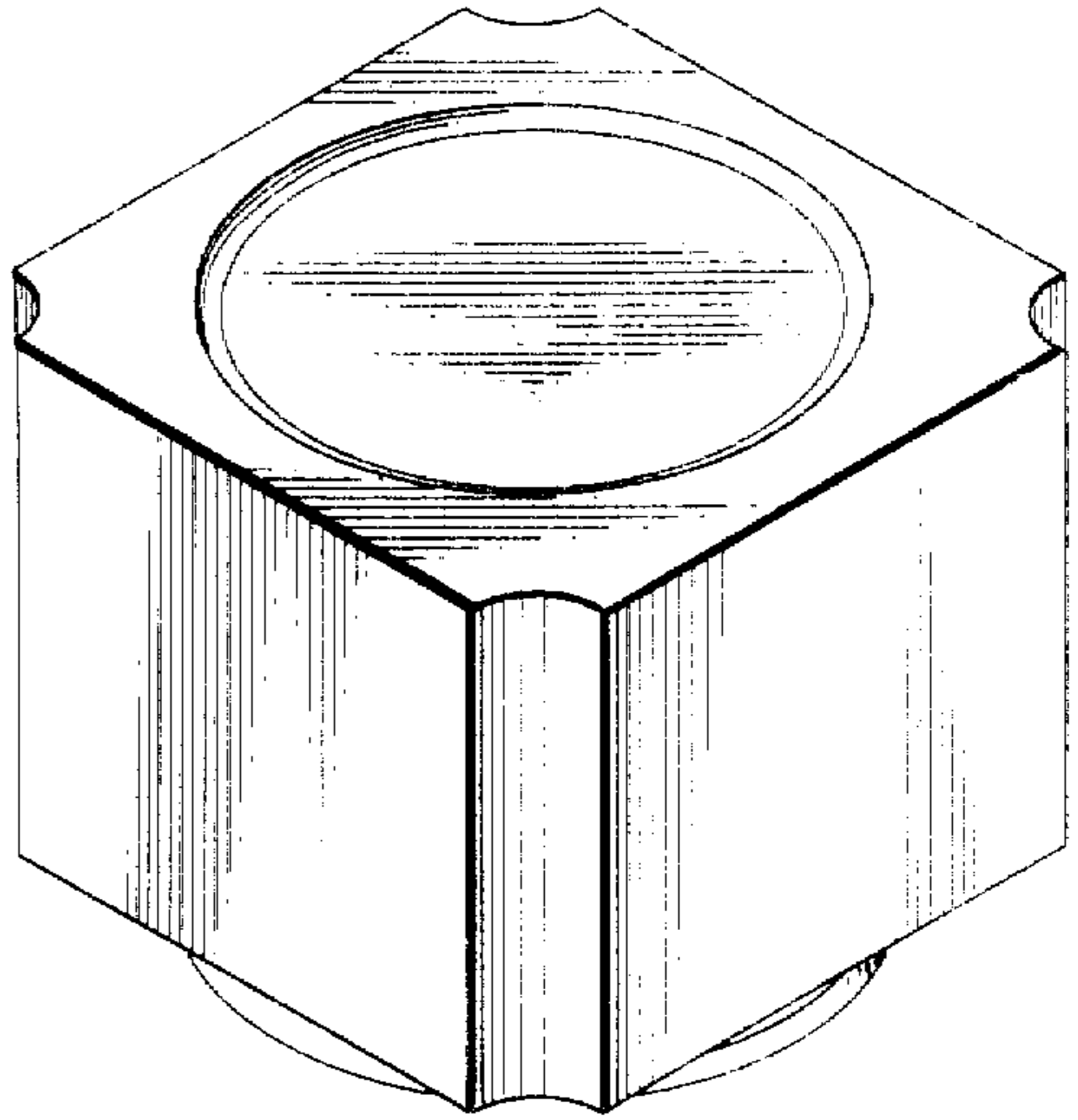


FIG. 3

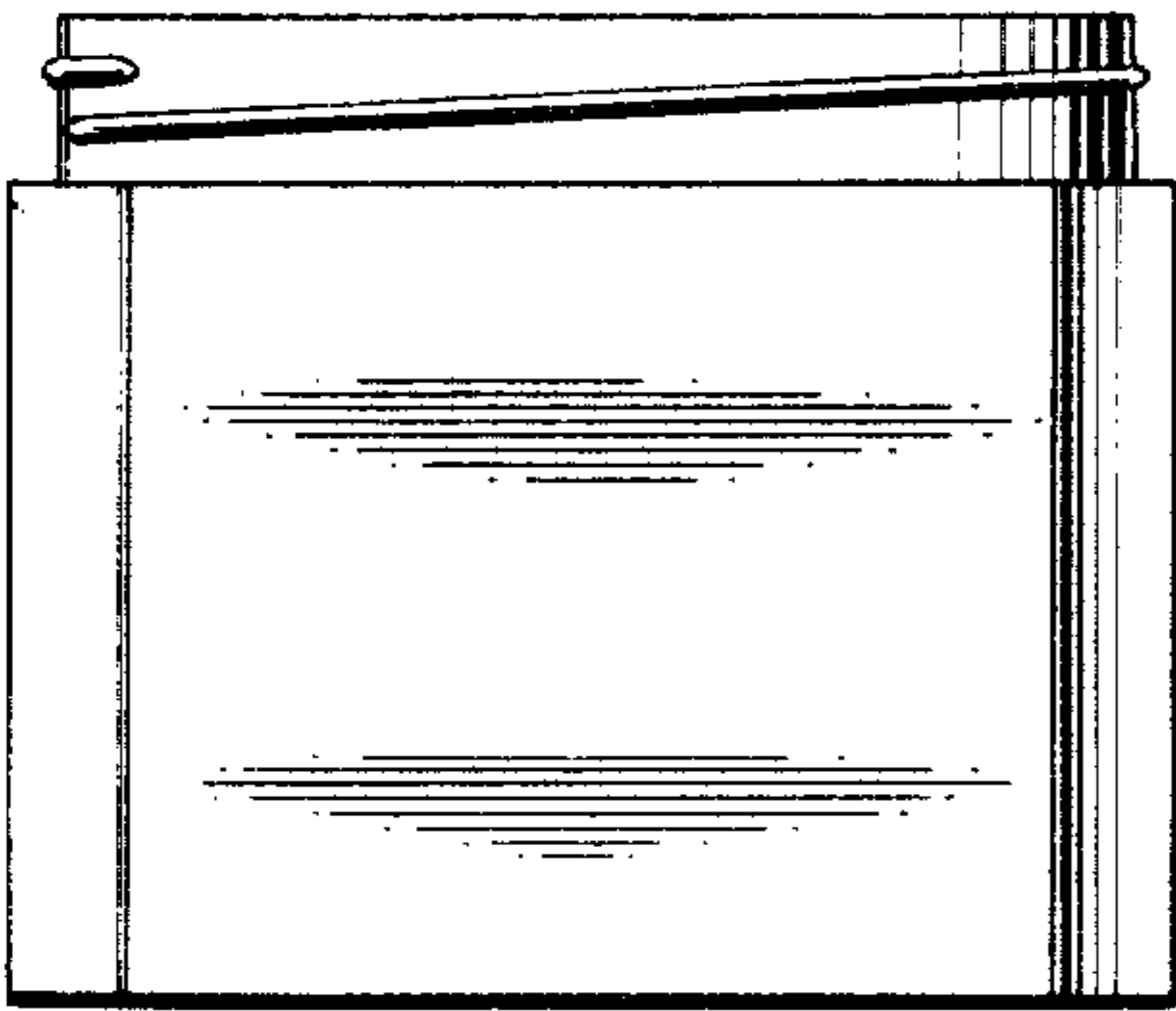


FIG. 4

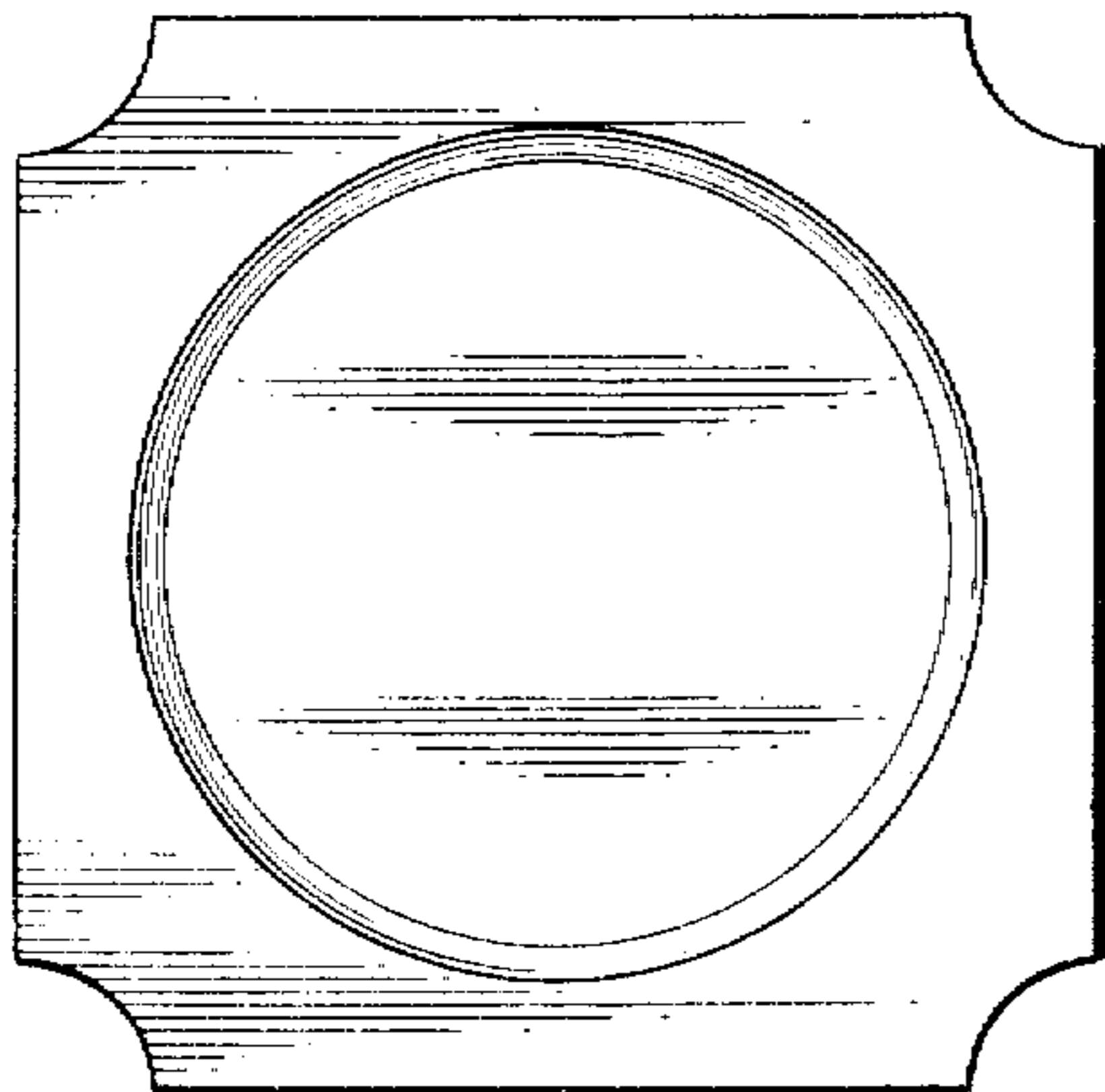
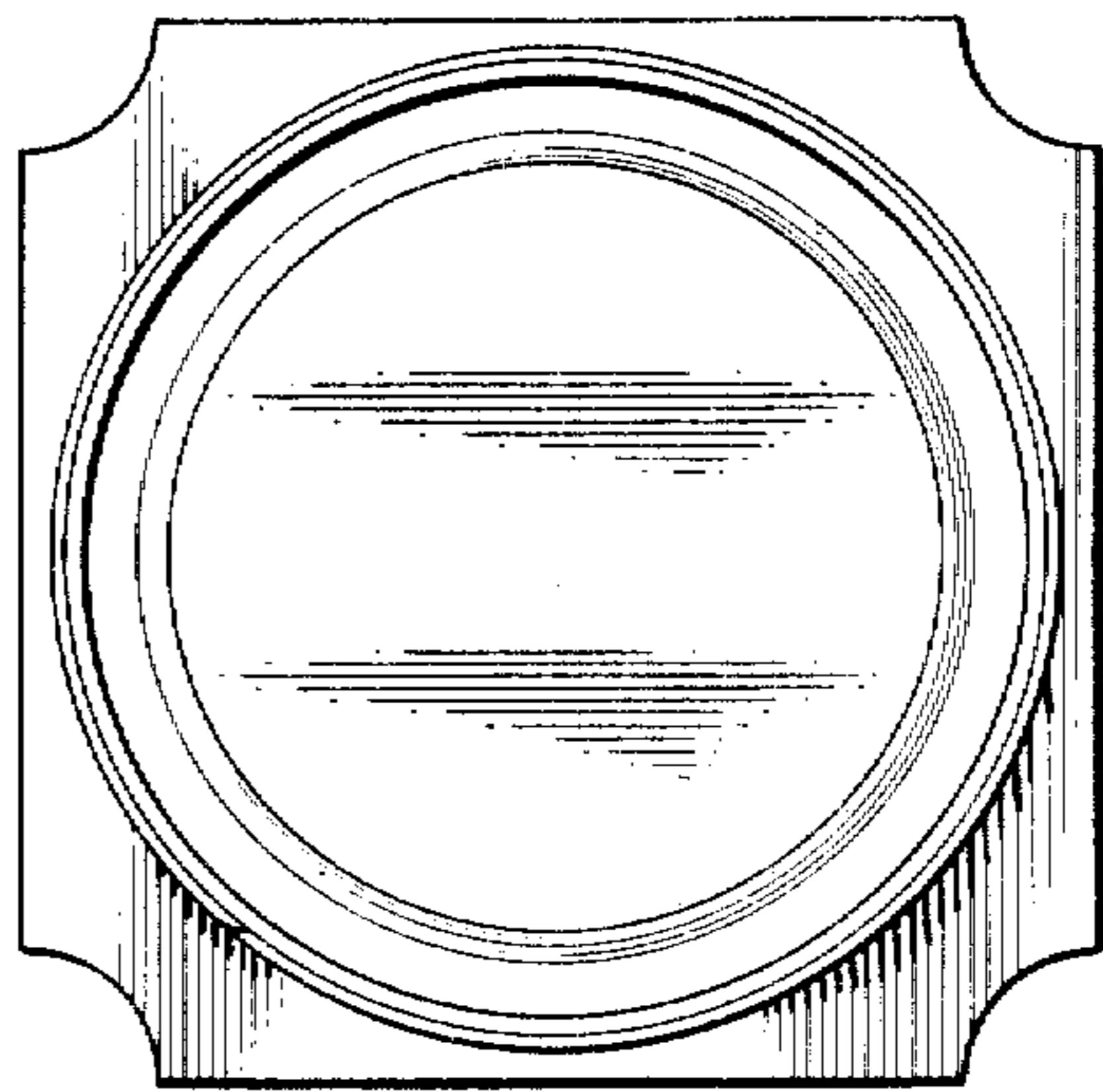


FIG. 5