

[54] GRASS CUTTING ATTACHMENT FOR USE WITH CHAIN SAWS AND THE LIKE

2,881,519	4/1959	Gardner	30/122
3,977,078	8/1976	Pittinger, Jr.	30/276
4,179,805	12/1979	Yamada	30/122
4,188,719	2/1980	Hoff	30/122

[75] Inventor: Brian Moore, Cosgrove, England

[73] Assignee: Pennwalt Corporation, Philadelphia, Pa.

[**] Term: 14 Years

[21] Appl. No.: 42,644

[22] Filed: May 25, 1979

[51] Int. Cl. D8-03

[52] U.S. Cl. D8/08

[58] Field of Search 30/122, 276; D8/8

[56] References Cited

U.S. PATENT DOCUMENTS

D. 249,012	8/1978	Everts	D8/8
D. 250,745	1/1979	Kuwano	D8/8

Primary Examiner—Bernard Ansher

[57] CLAIM

The ornamental design for a grass cutting attachment for use with chain saws and the like, as shown and described.

DESCRIPTION

FIG. 1 is a top front perspective view of a grass cutting attachment for use with chain saws and the like showing my new design;

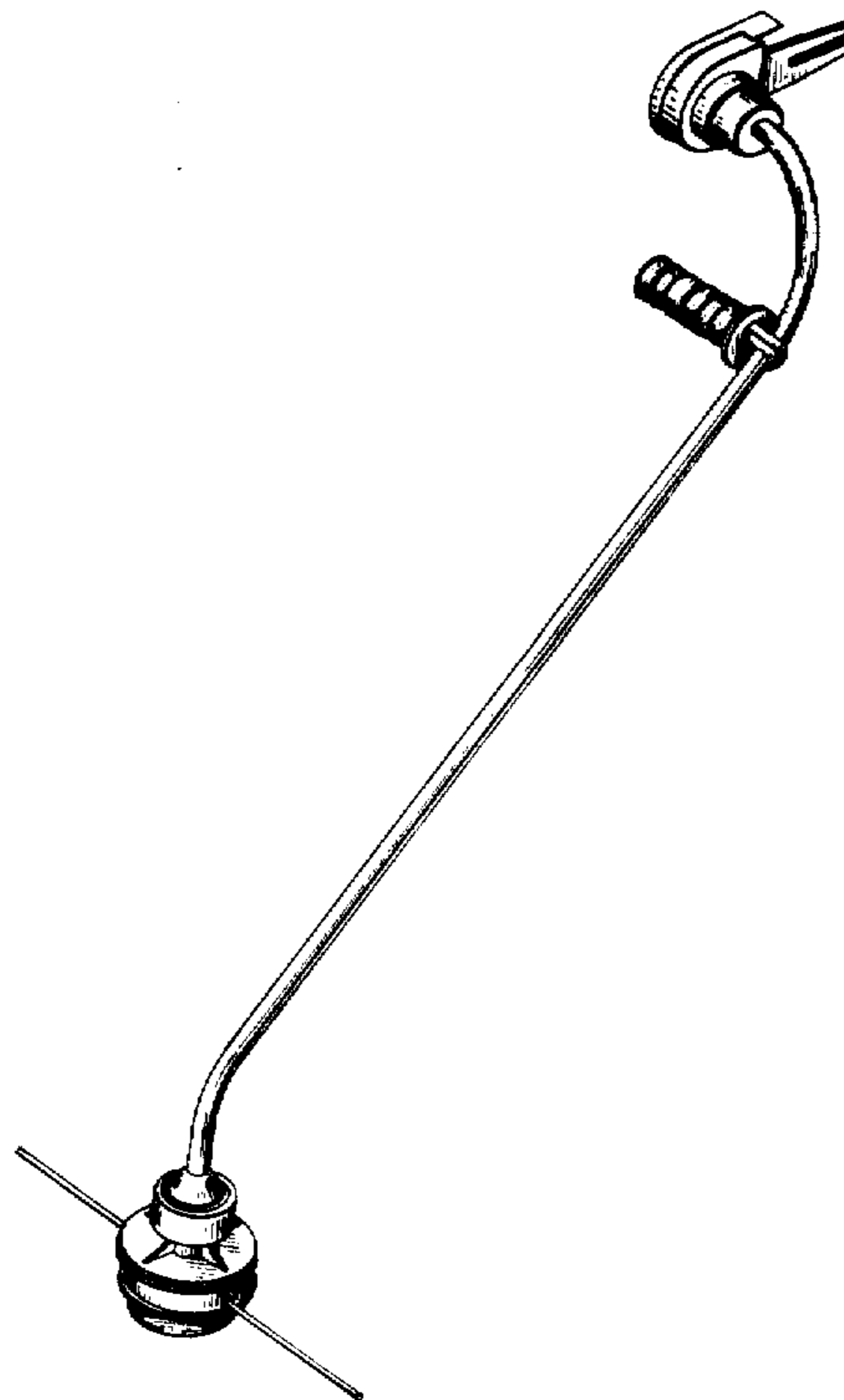
FIG. 2 is a right elevation thereof;

FIG. 3 is a top plan view thereof;

FIG. 4 is a front elevation thereof;

FIG. 5 is a bottom plan view thereof; and

FIG. 6 is a rear elevation thereof.



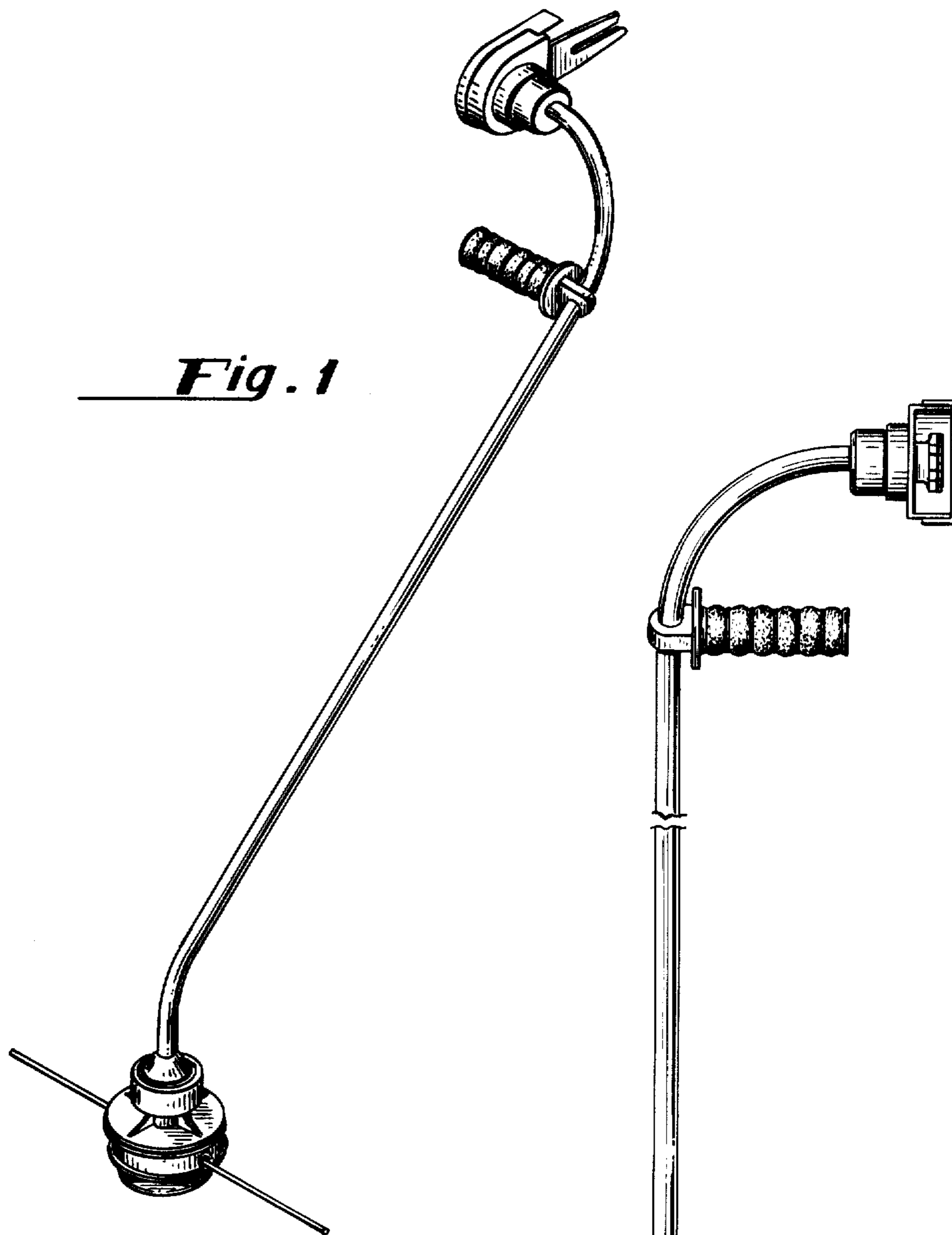


Fig. 1

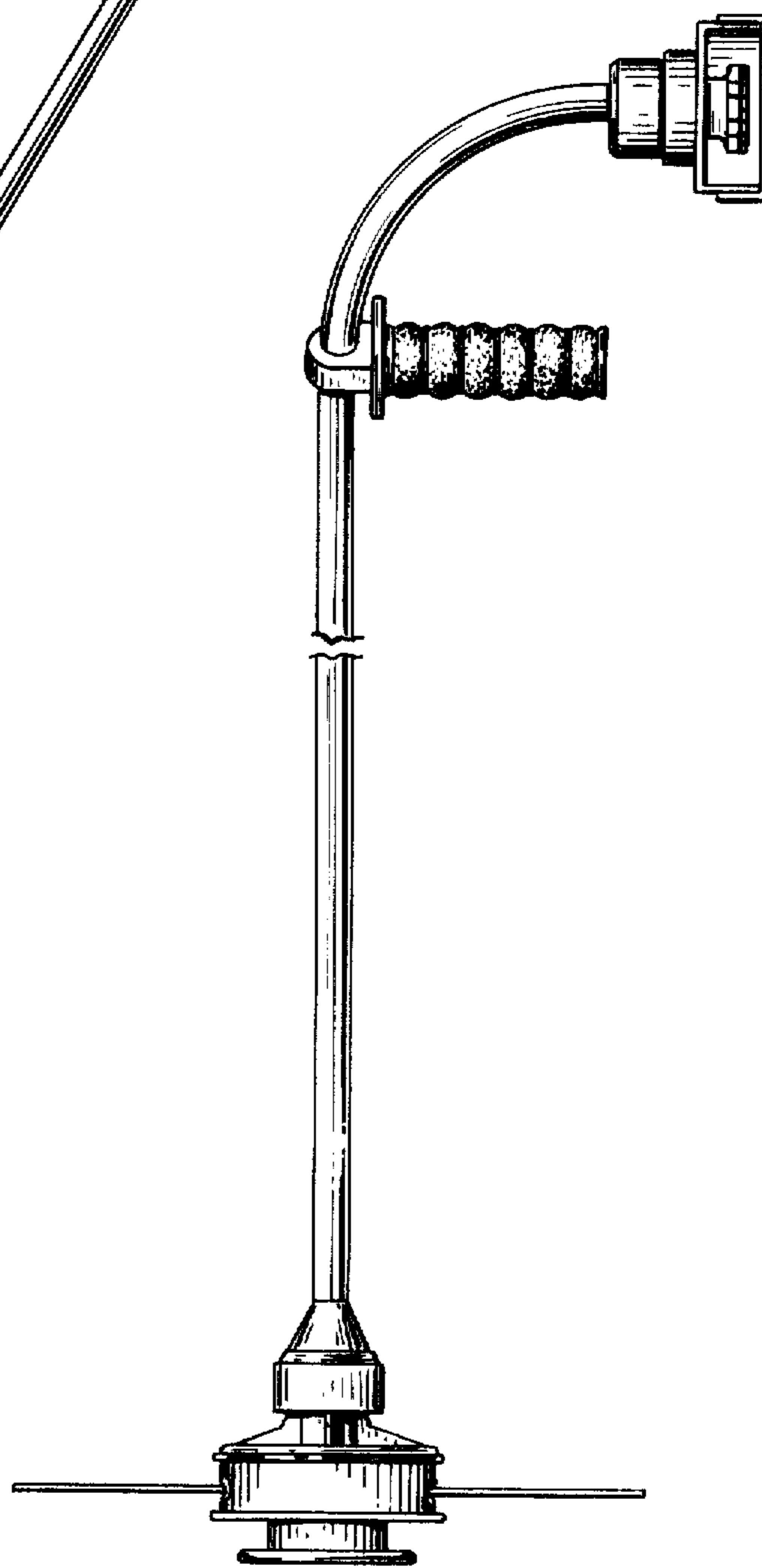
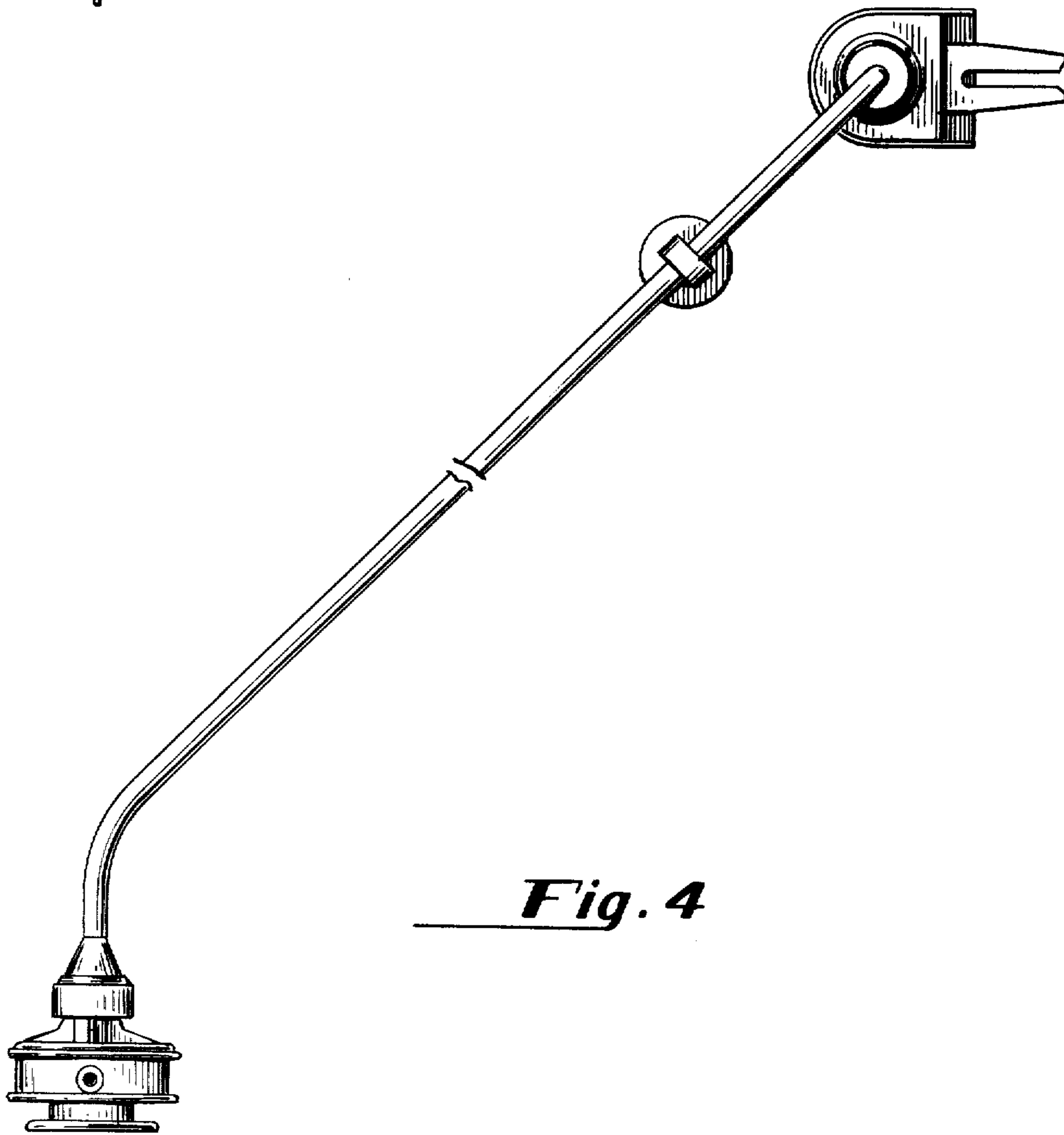
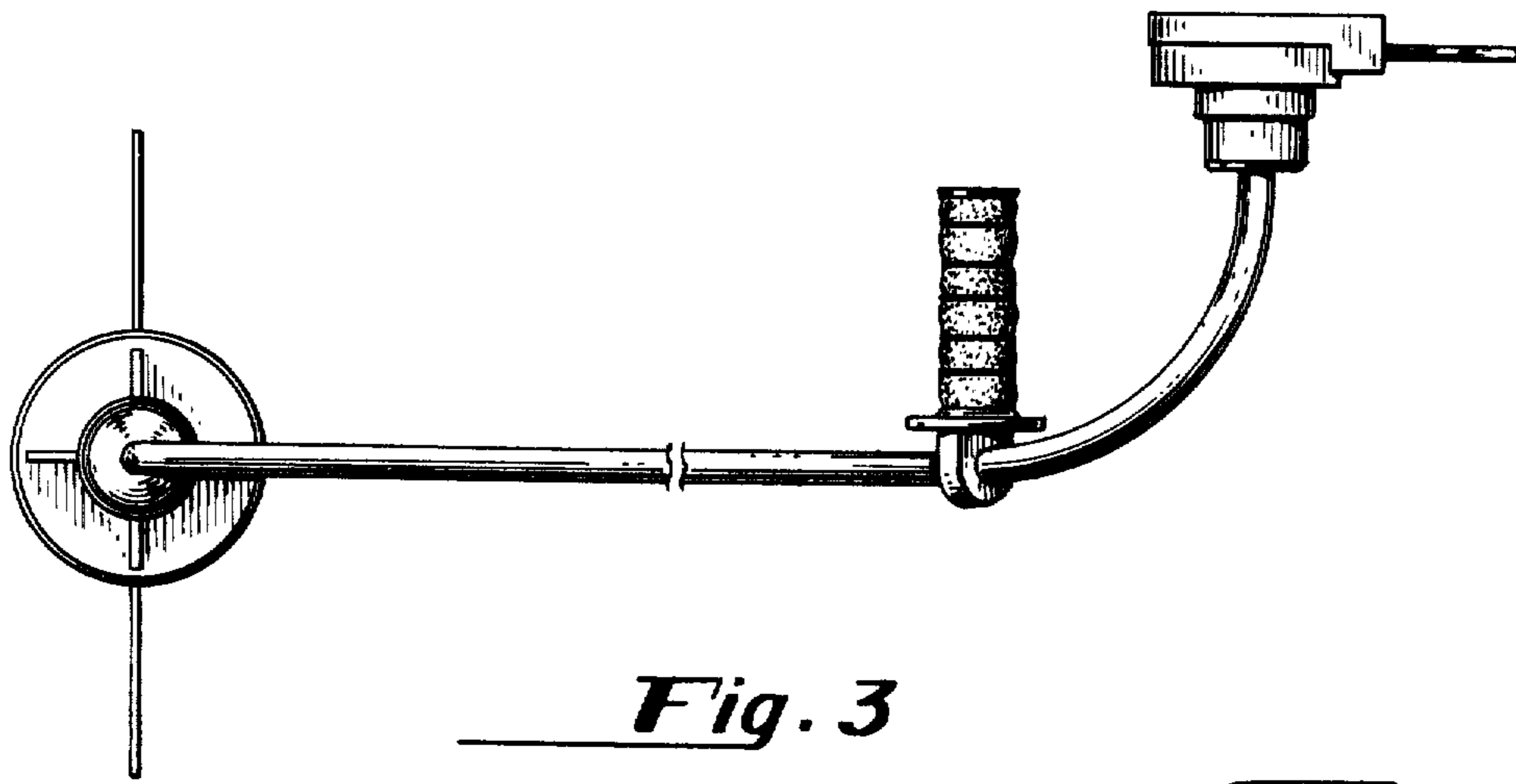


Fig. 2



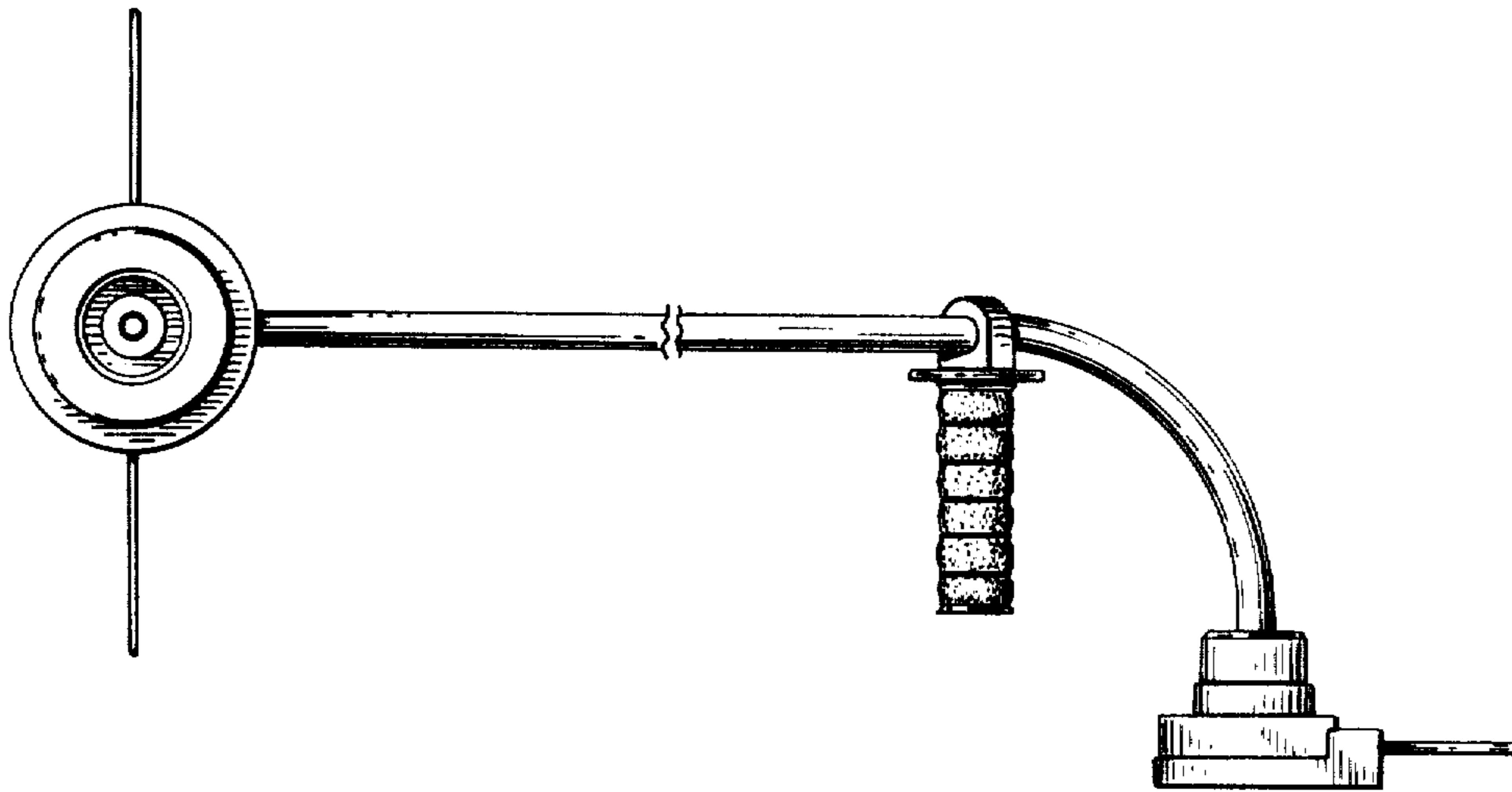


Fig. 5

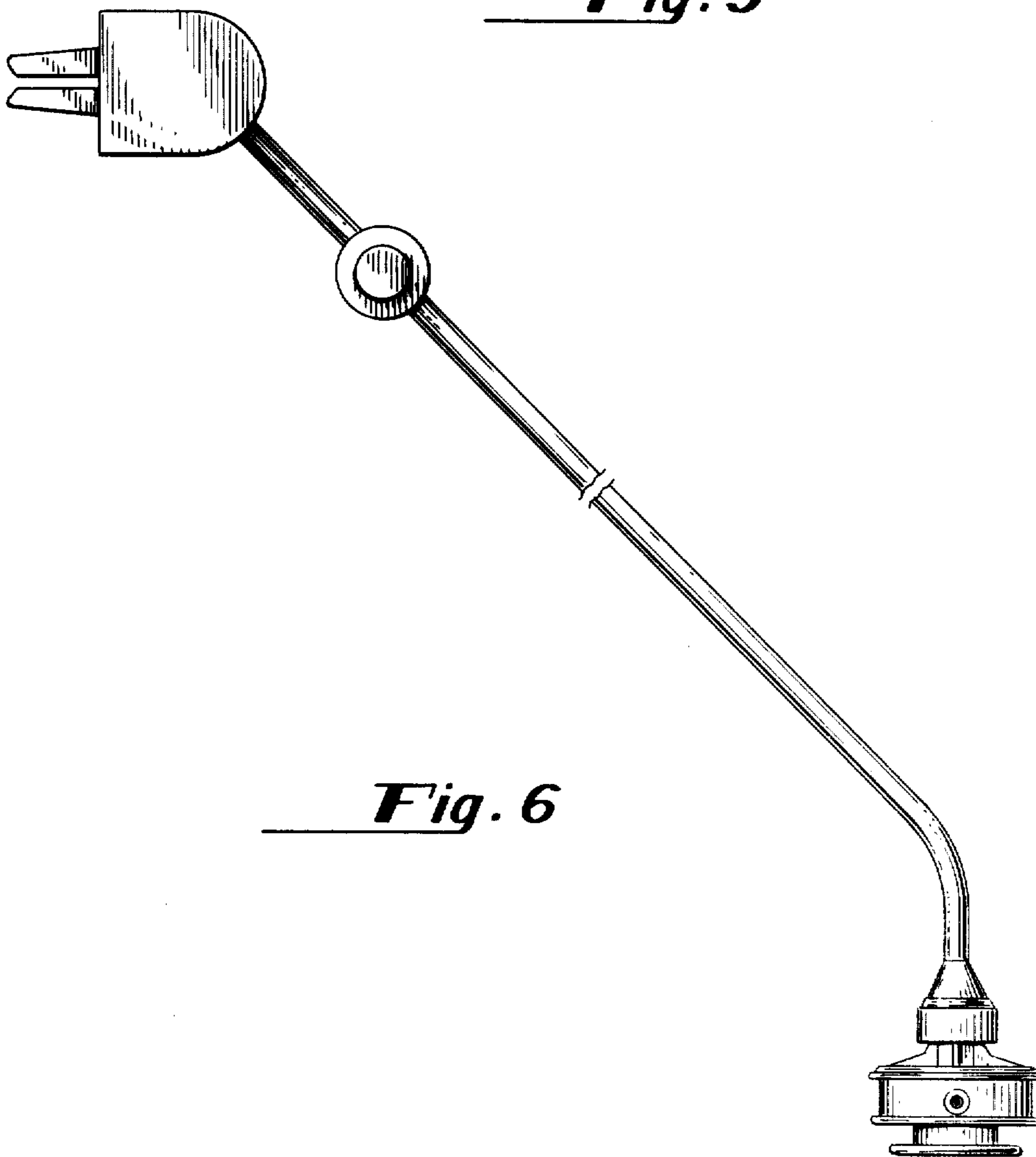


Fig. 6