

[54] TABLE  
 [76] Inventor: John Kim, 240 Sullivan St., New York, N.Y. 10012  
 [\*\*] Term: 14 Years  
 [21] Appl. No.: 89,794  
 [22] Filed: Oct. 31, 1979  
 [51] Int. Cl. .... D6-03  
 [52] U.S. Cl. .... D6/146; D6/177  
 [58] Field of Search ..... D6/27, 175, 177, 178, D6/179, 194, 181, 146-149

D. 242,002 10/1976 Faber ..... D6/175

OTHER PUBLICATIONS

Selig Tables Cat., p. L333, Table No. 77-04. Interiors, 6-1967, p. 36, Table right center by Rosenblum Inc.

Primary Examiner—Bruce W. Dunkins  
Attorney, Agent, or Firm—Sughrue, Mion, Zinn, Macpeak and Seas

[57] CLAIM

The ornamental design for a table, as shown and described.

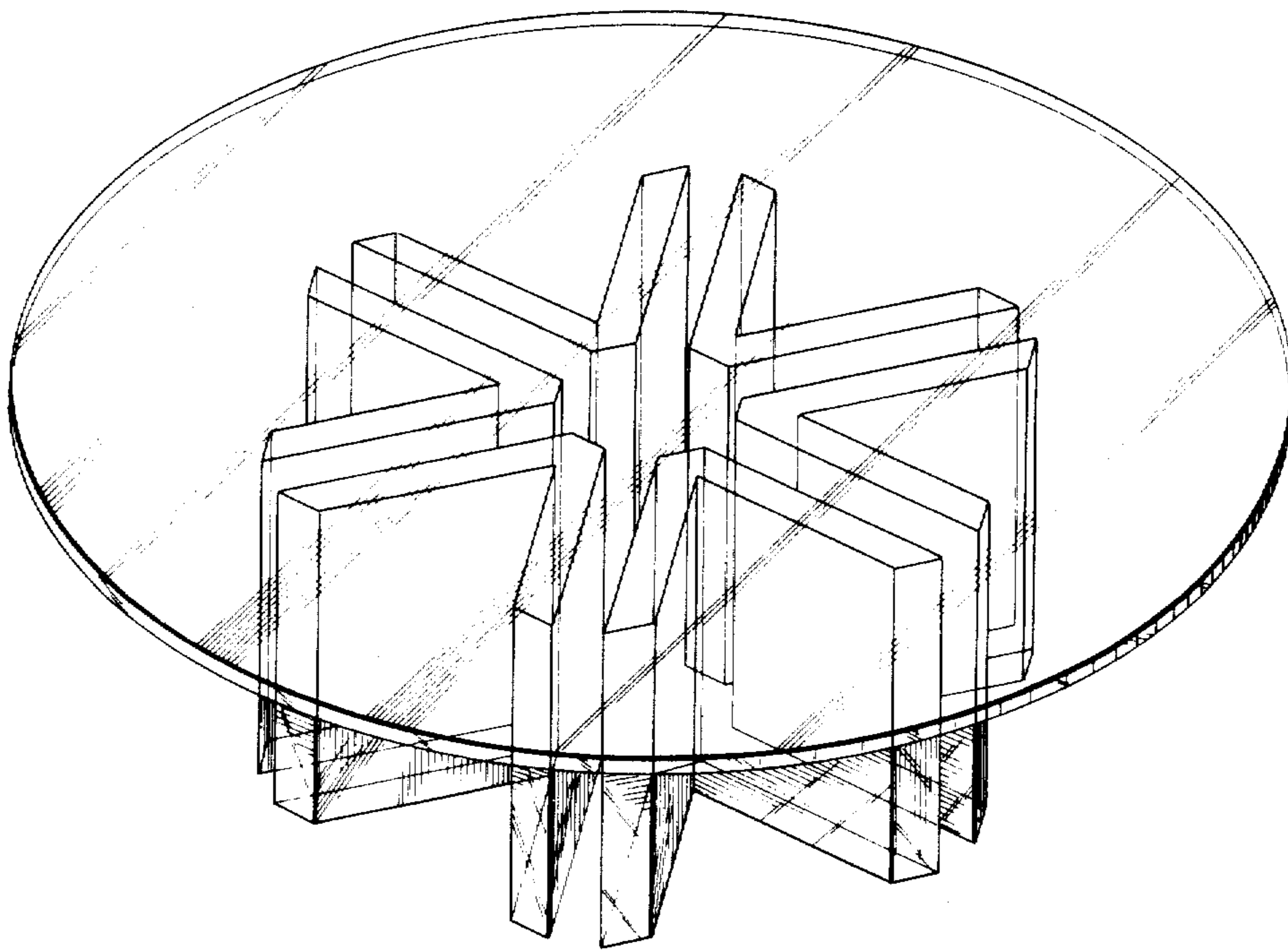
DESCRIPTION

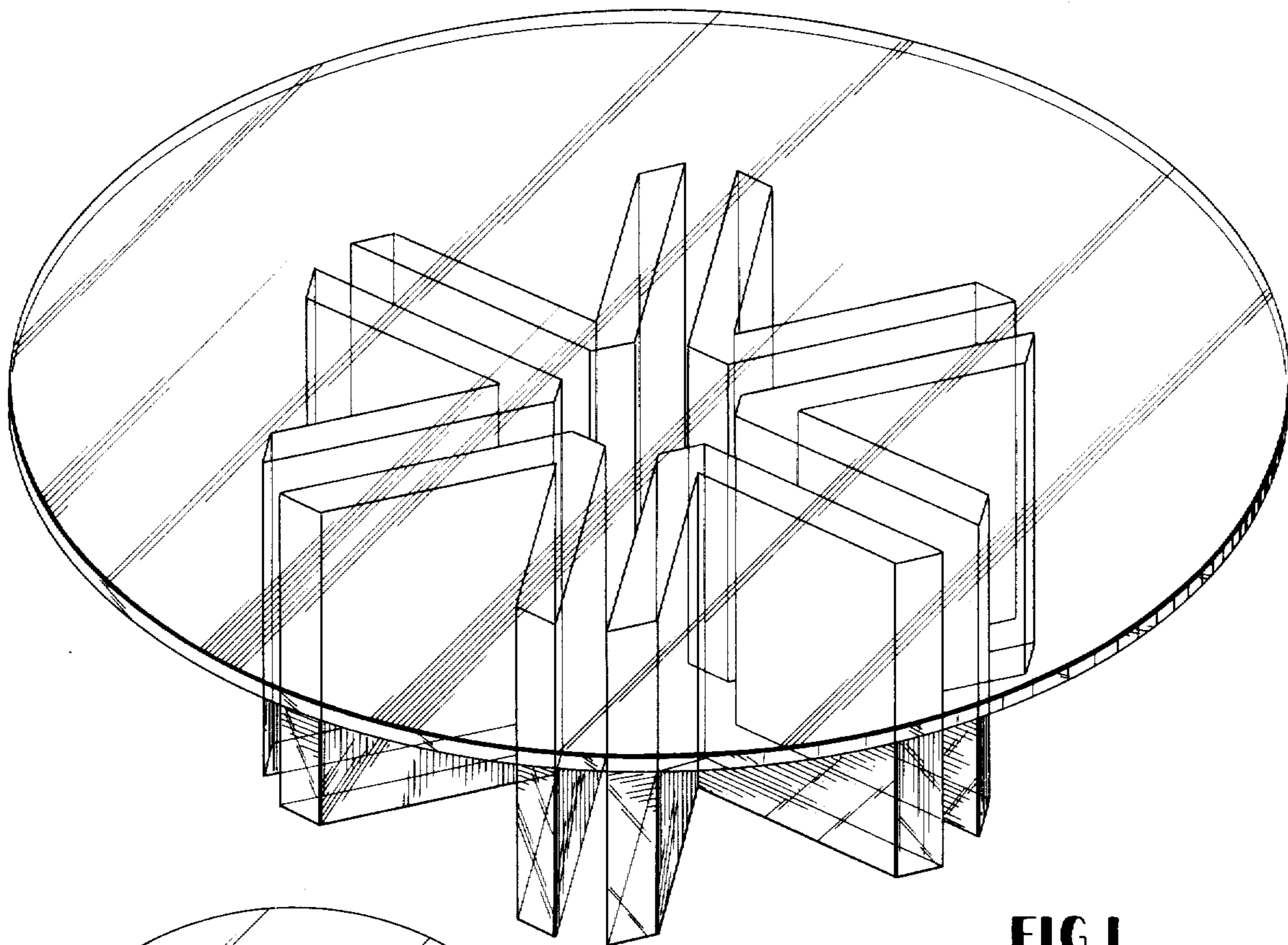
FIG. 1 is a perspective view of a table showing my new design, the table being symmetrical about its vertical axis;  
FIG. 2 is a top plan view thereof; and  
FIG. 3 is a side elevational view thereof.

[56] References Cited

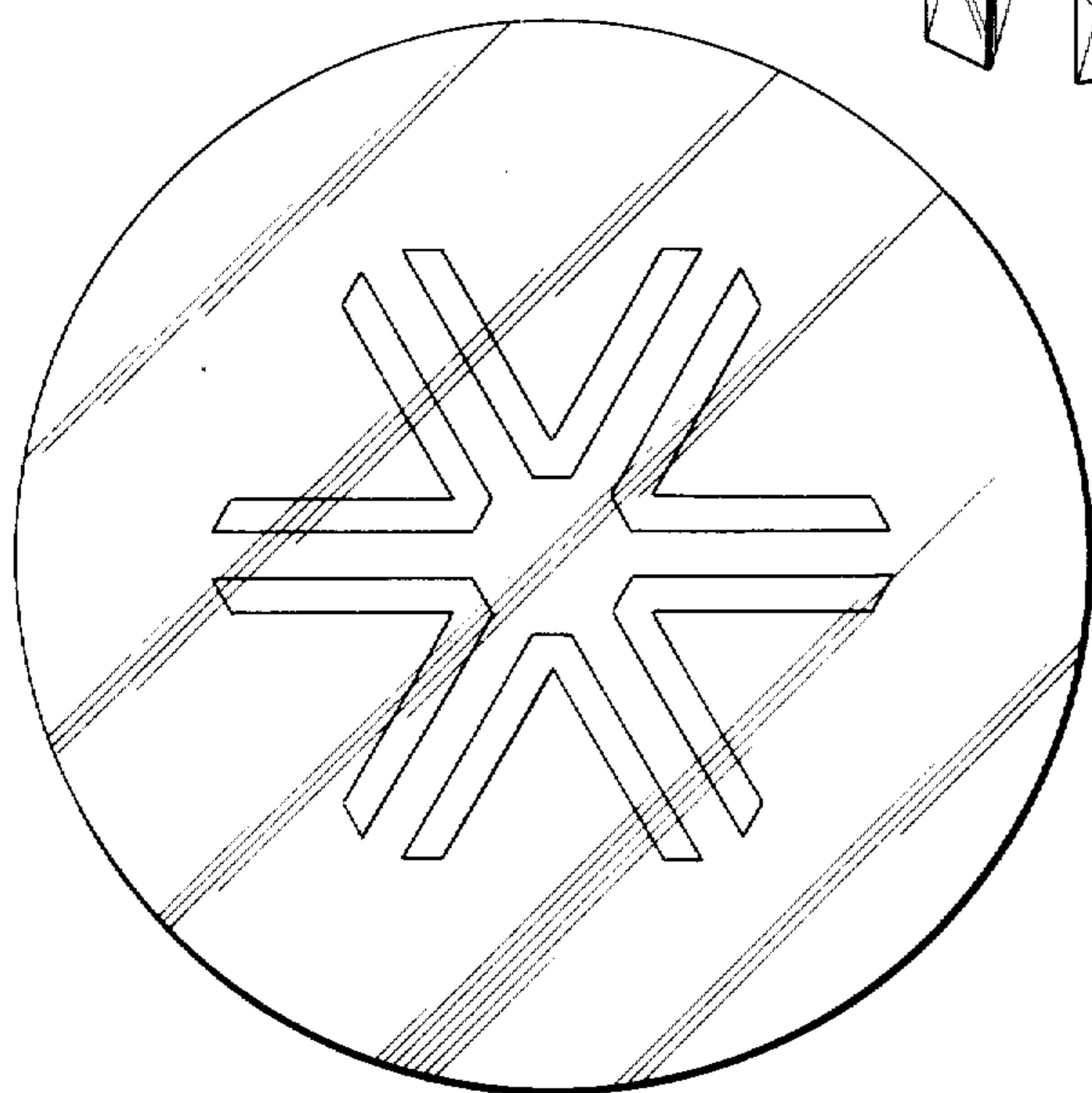
U.S. PATENT DOCUMENTS

D. 216,471 1/1970 Dixon ..... D6/175  
 D. 225,949 1/1973 Torrey ..... D6/177  
 D. 238,407 1/1976 Owens ..... D6/177 X





**FIG. 1**



**FIG. 2**

**FIG. 3**

