

[54] WINDOW WELL COVER

[76] Inventor: Ronald C. Mackes, P.O. Box 3, Crestone, Colo. 81131

[\*\*] Term: 14 Years

[21] Appl. No.: 201,516

[22] Filed: Oct. 27, 1980

[51] Int. Cl. D25-02

[52] U.S. Cl. D25/54

[58] Field of Search 52/80, 107; 98/37

[56] References Cited

U.S. PATENT DOCUMENTS

3,085,489	4/1963	Ivy	D25/54 X
3,123,868	3/1964	Gust	52/107 X
3,232,014	2/1966	Frost	52/80

FOREIGN PATENT DOCUMENTS

2411227	9/1975	Fed. Rep. of Germany	52/107
2645410	4/1978	Fed. Rep. of Germany	52/107

Primary Examiner—A. Hugo Word

Attorney, Agent, or Firm—Frank C. Lowe; Horace B. Van Valkenburgh

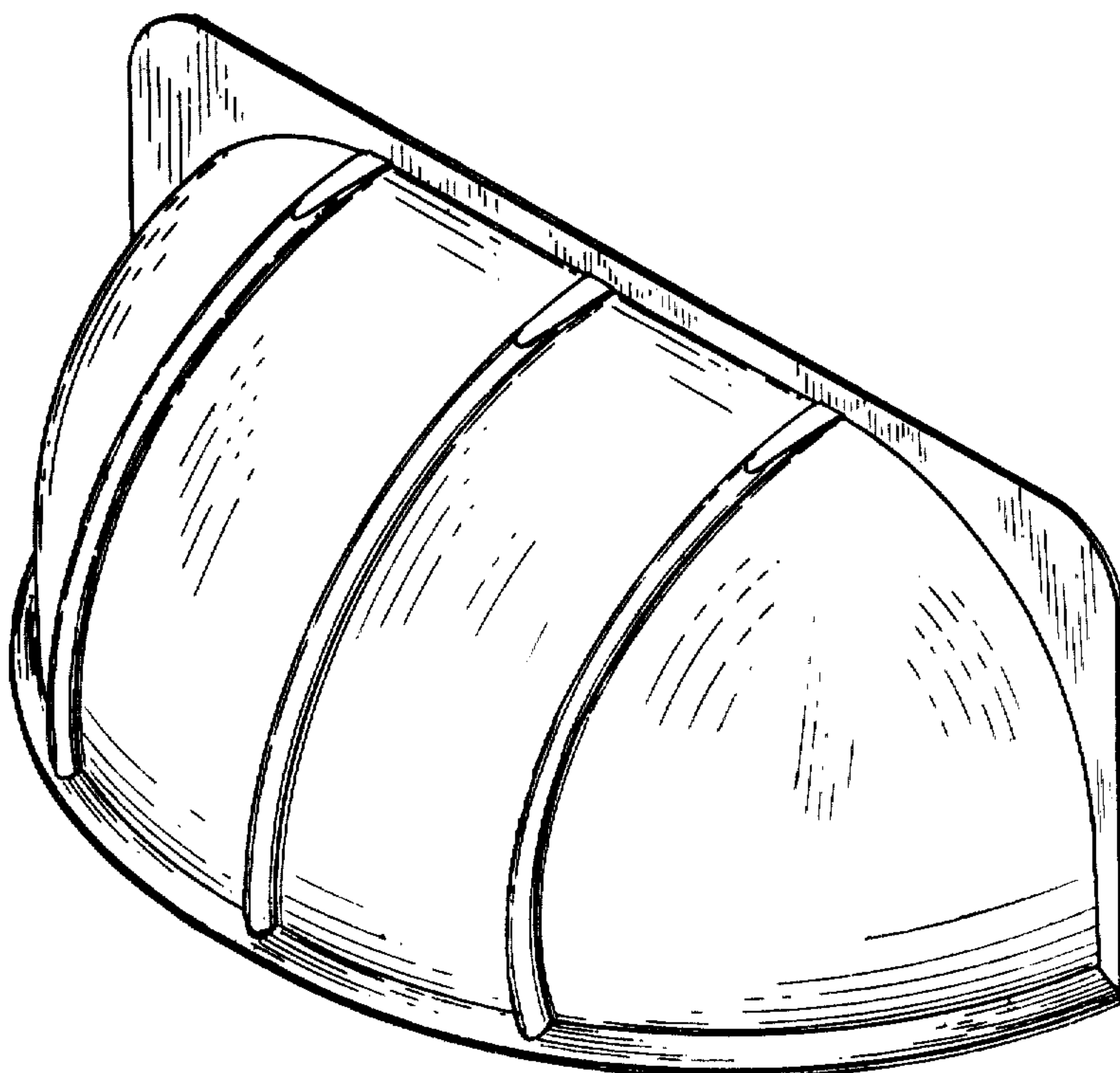
[57] CLAIM

The ornamental design for a window well cover, as shown and described.

DESCRIPTION

FIG. 1 is an isometric view of my design of a window well cover;  
 FIG. 2 is a front elevational view of the window well cover shown at FIG. 1;  
 FIG. 3 is a top plan view;  
 FIG. 4 is a left end view;  
 FIG. 5 is a transverse sectional view as taken from the indicated line 5—5 at FIG. 2, but on an enlarged scale;  
 FIG. 6 is a fragmentary sectional plan view as taken from the indicated line 6—6 at FIG. 2 but on an enlarged scale;  
 FIG. 7 is an isometric view of a slightly modified form of my design of a window well cover;  
 FIG. 8 is a front elevational view of the window well cover shown at FIG. 7;  
 FIG. 9 is a top plan view thereof;  
 FIG. 10 is a left end view thereof;  
 FIG. 11 is a transverse section view as taken from the indicated line 11—11 at FIG. 8 but on an enlarged scale; and  
 FIG. 12 is a fragmentary sectional plan view as taken from the indicated line 12—12 at FIG. 8 but on an enlarged scale.

The window well cover is formed of sheet material and is in mirror symmetry about a transverse vertical plane, line 5—5 at FIG. 2 and line 11—11 at FIG. 8, thus, the rear view will be essentially the same as the front elevational view, the bottom view will be essentially the same as the top view and the right end view will be essentially the same as the left end view, for each form.



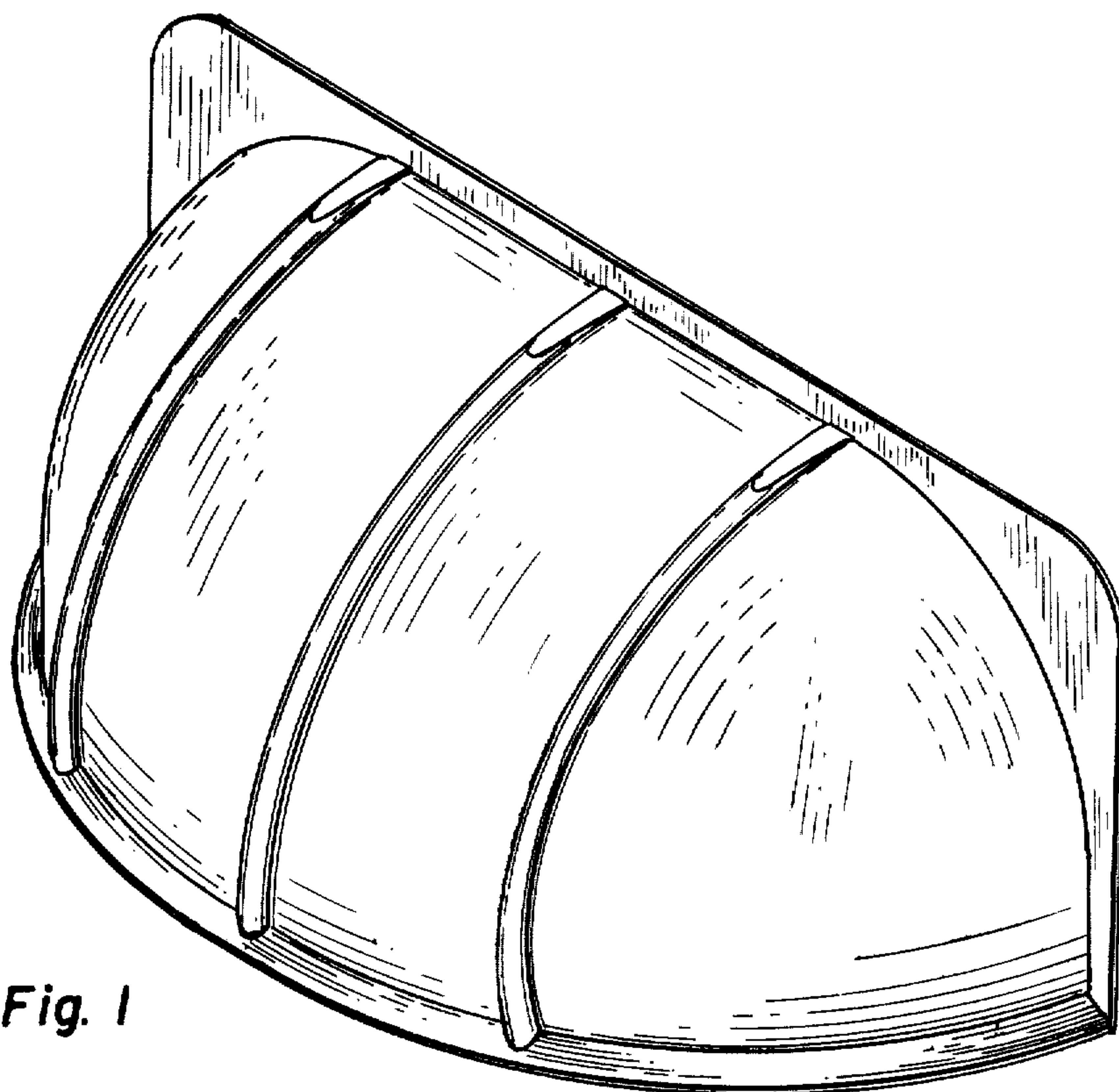


Fig. 1

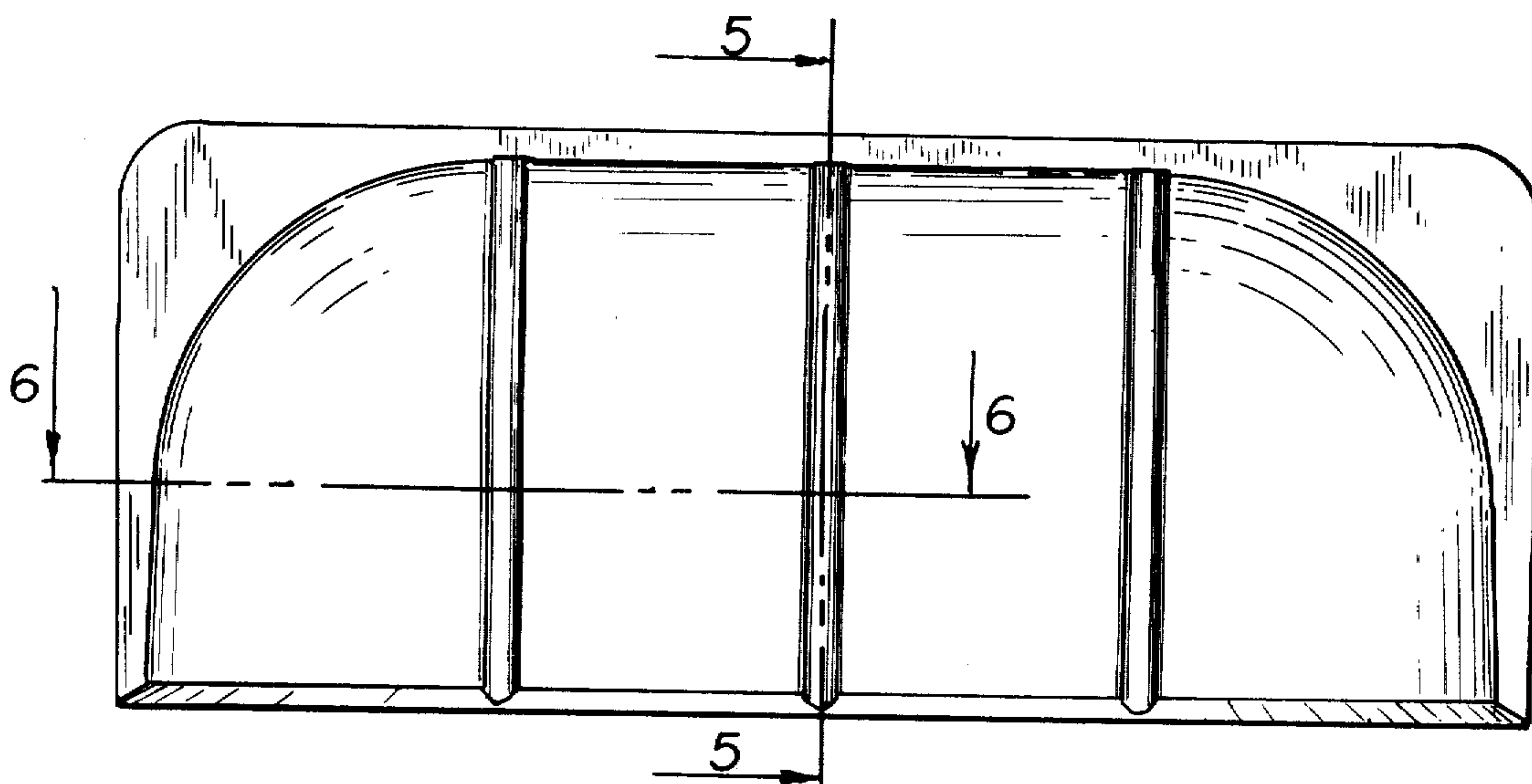


Fig. 2

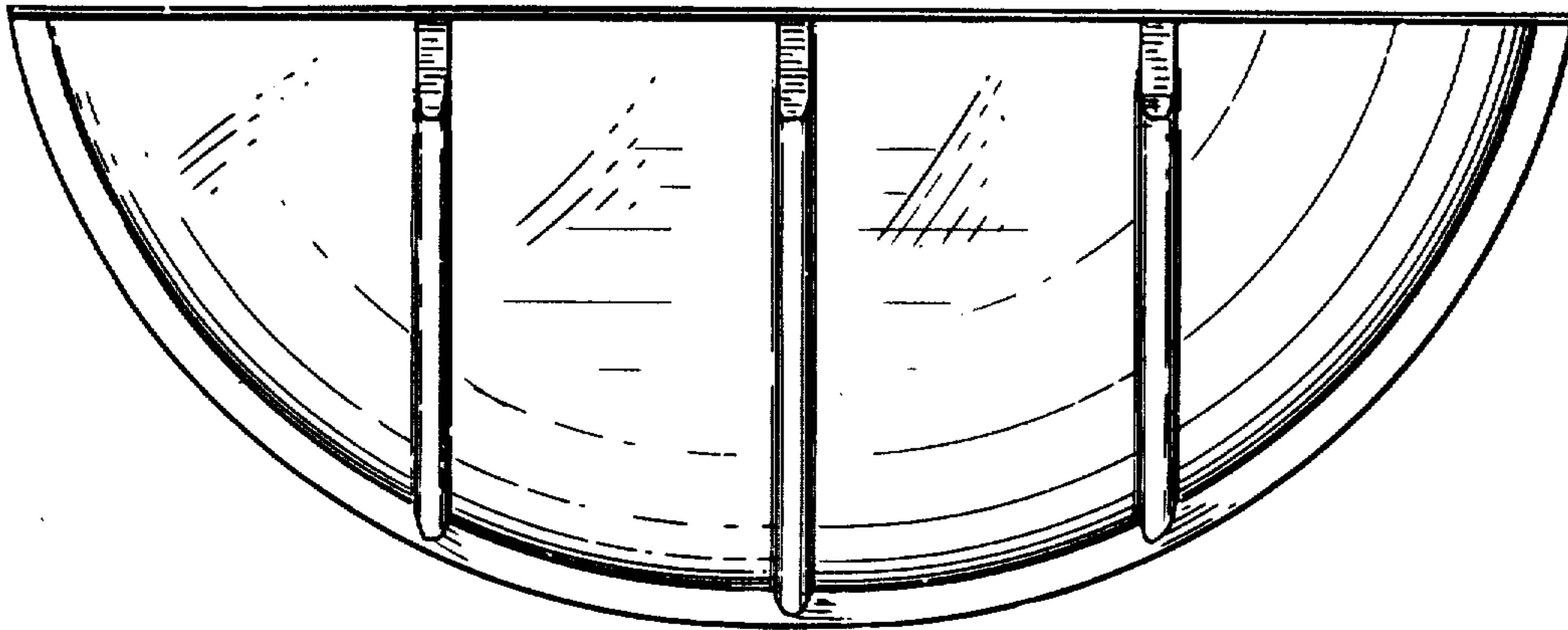


Fig. 3

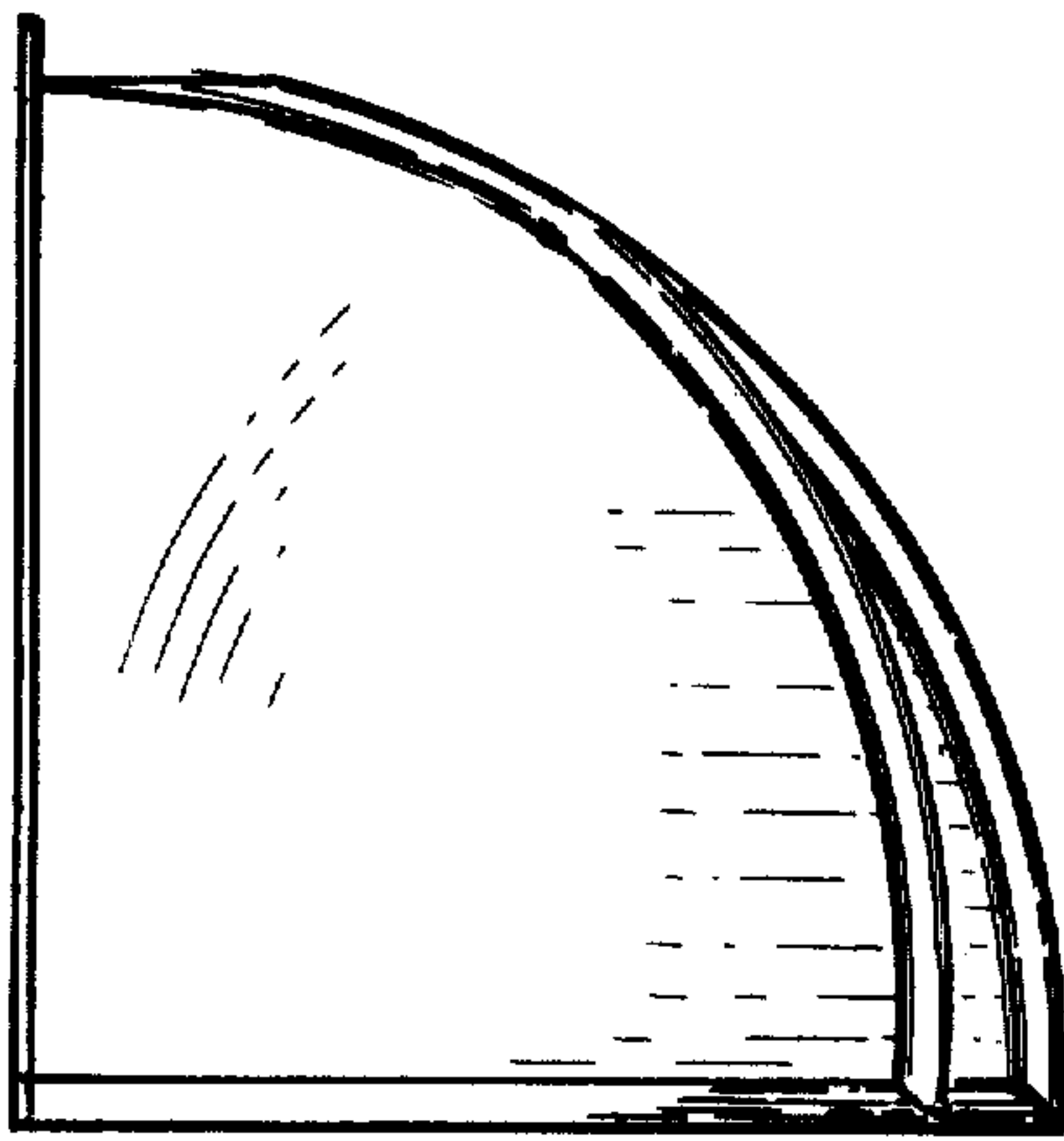


Fig. 4

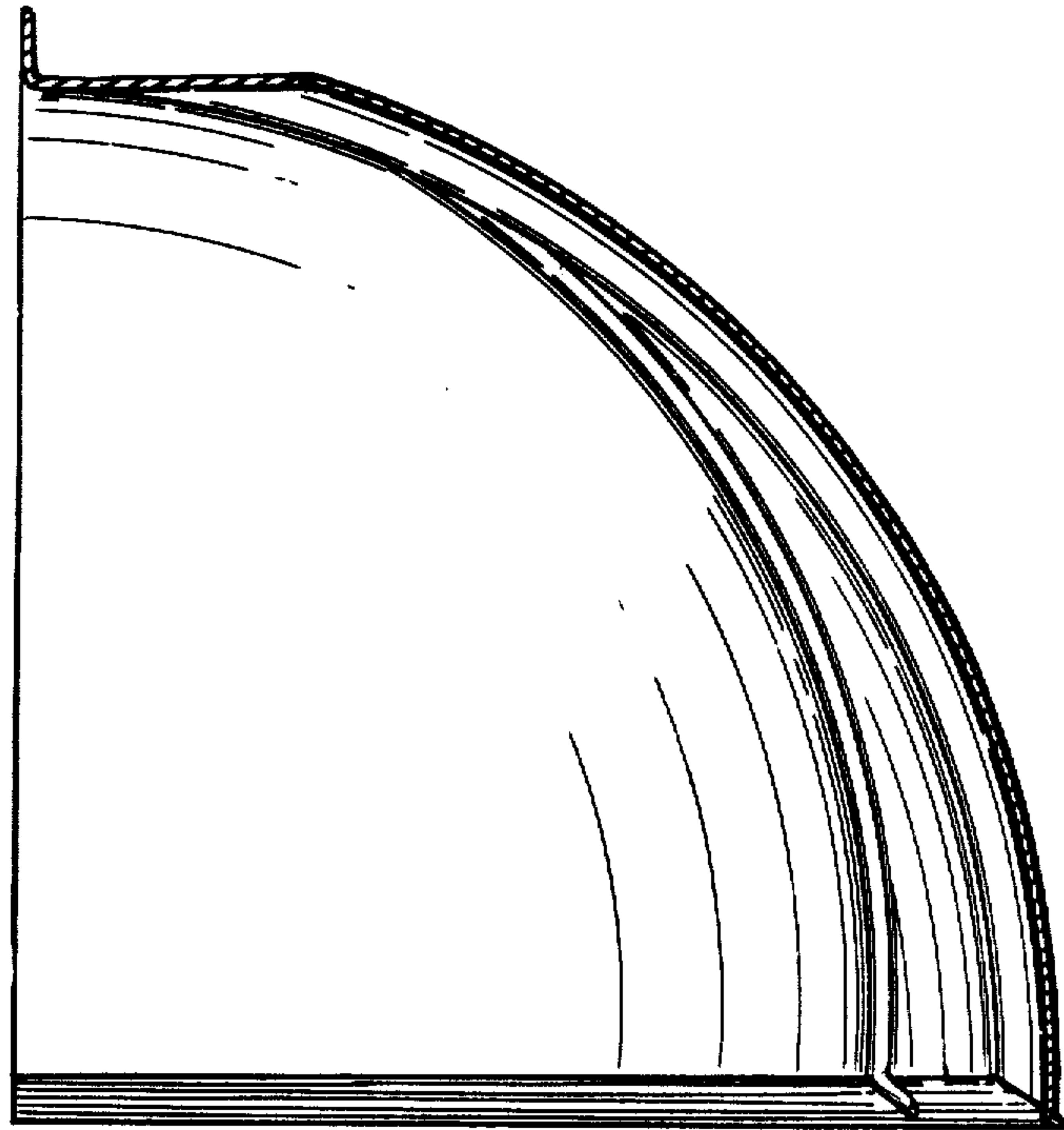


Fig. 5

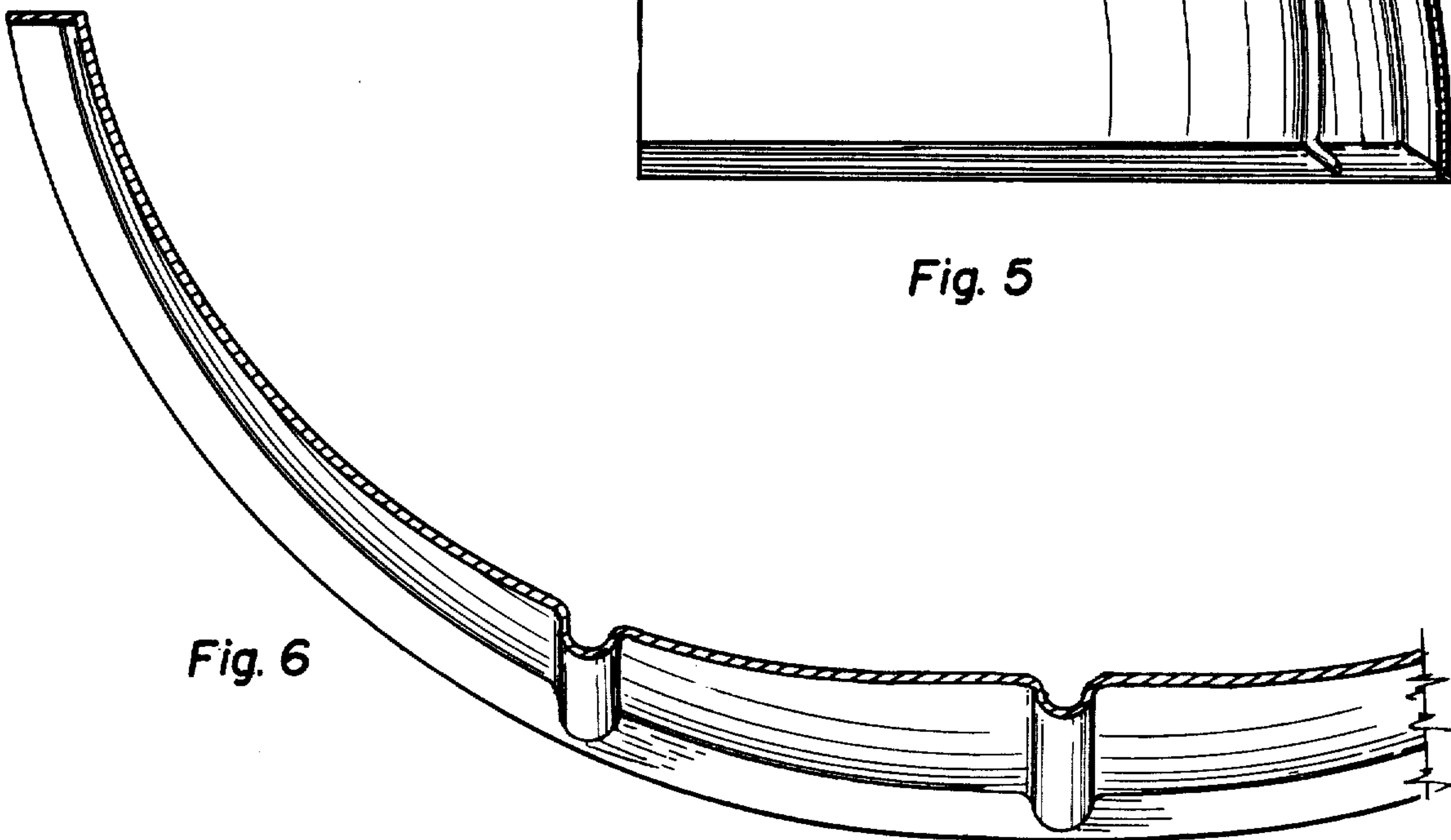
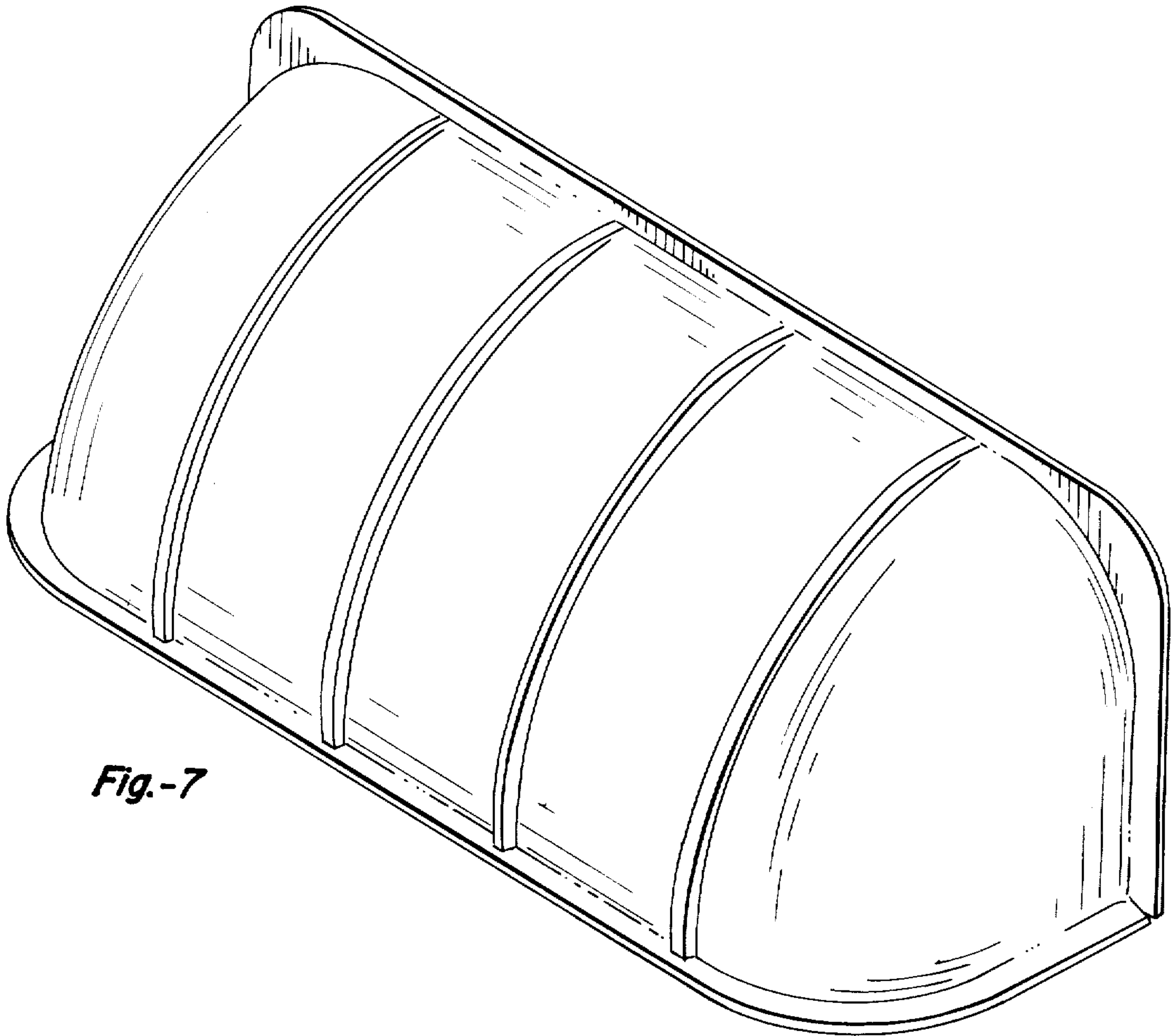
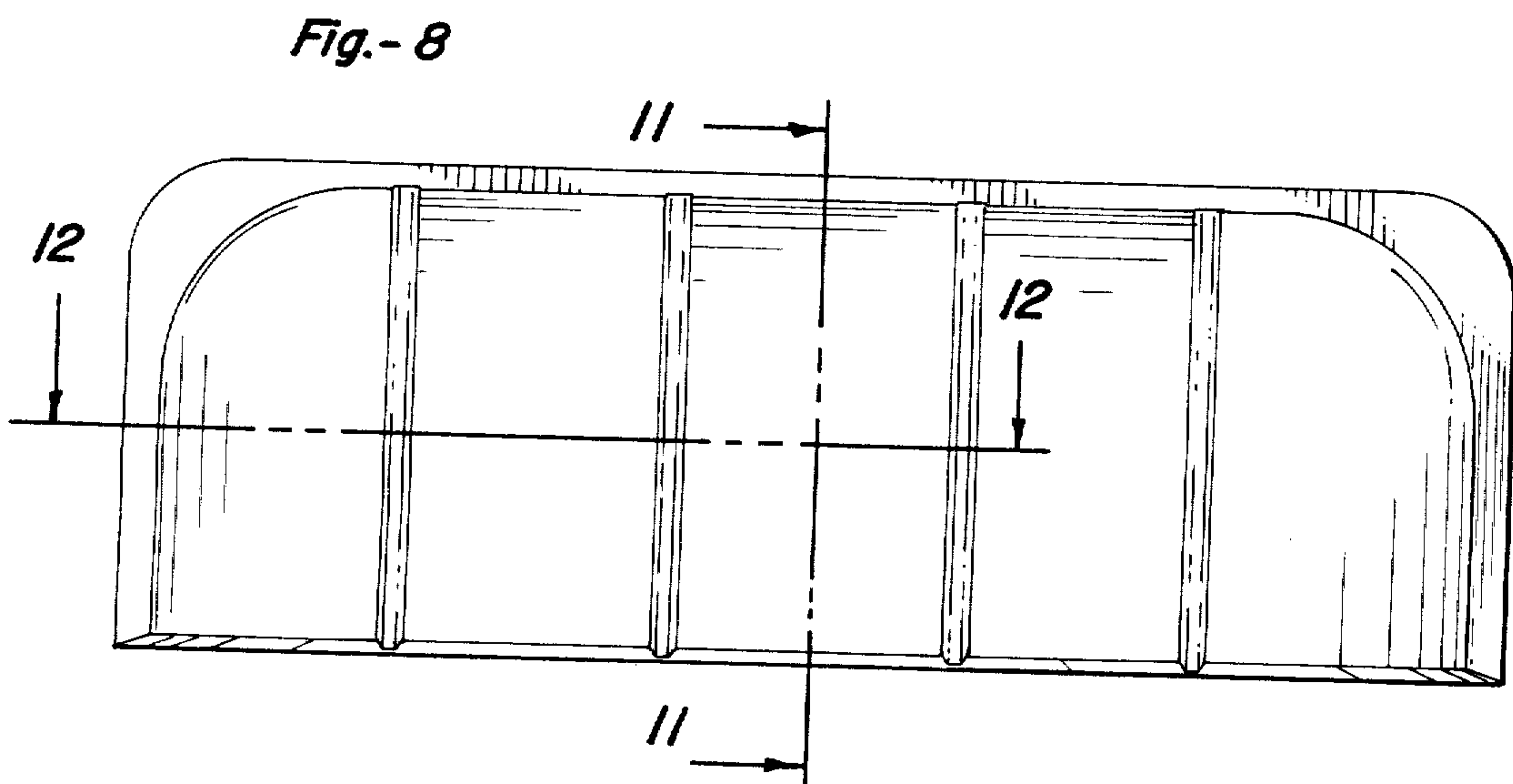


Fig. 6

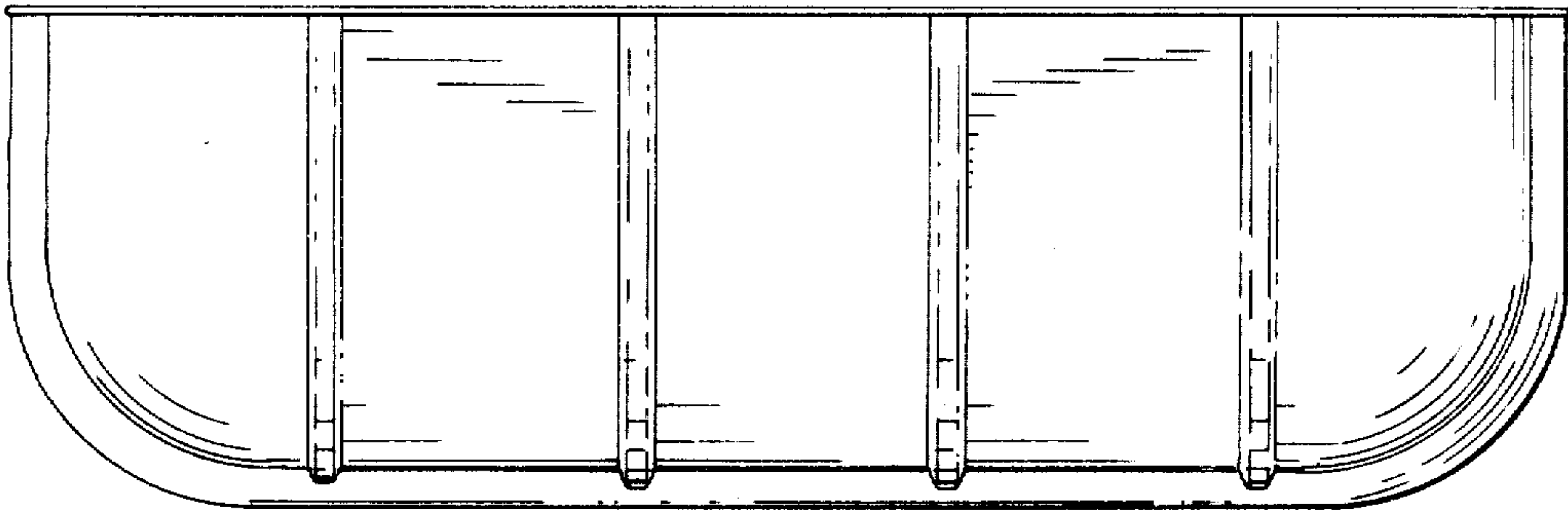




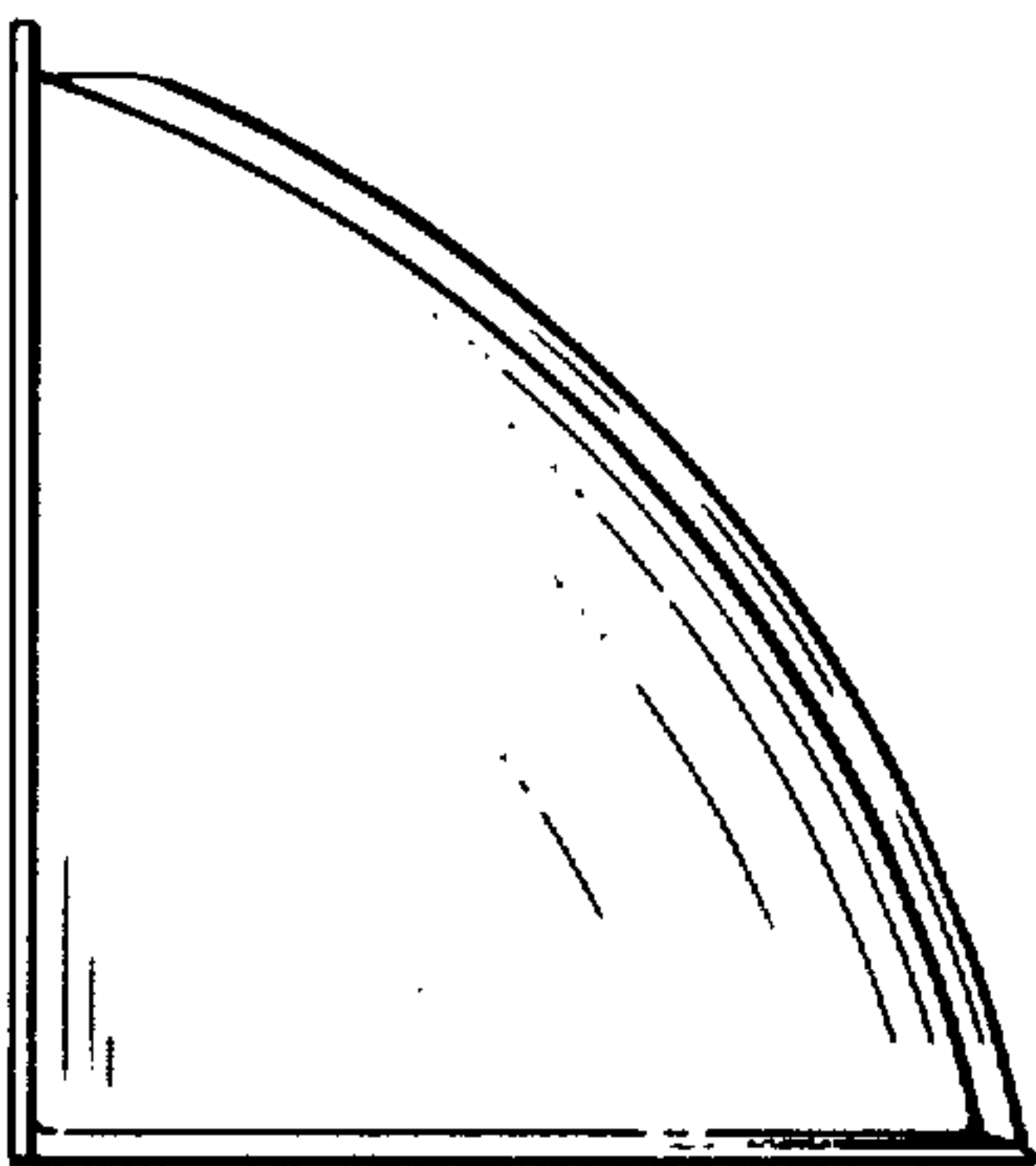
*Fig.-7*



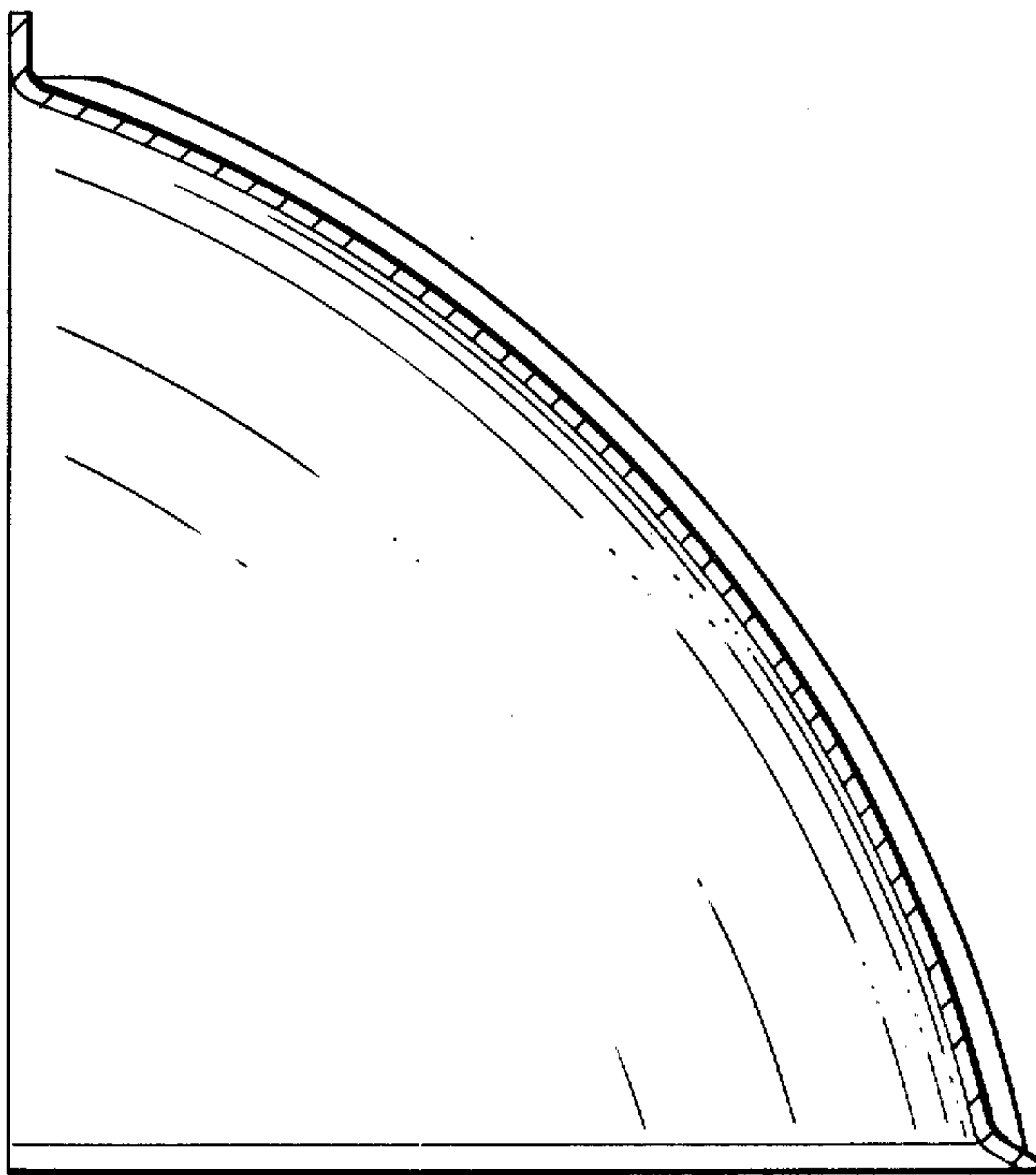
*Fig.-8*



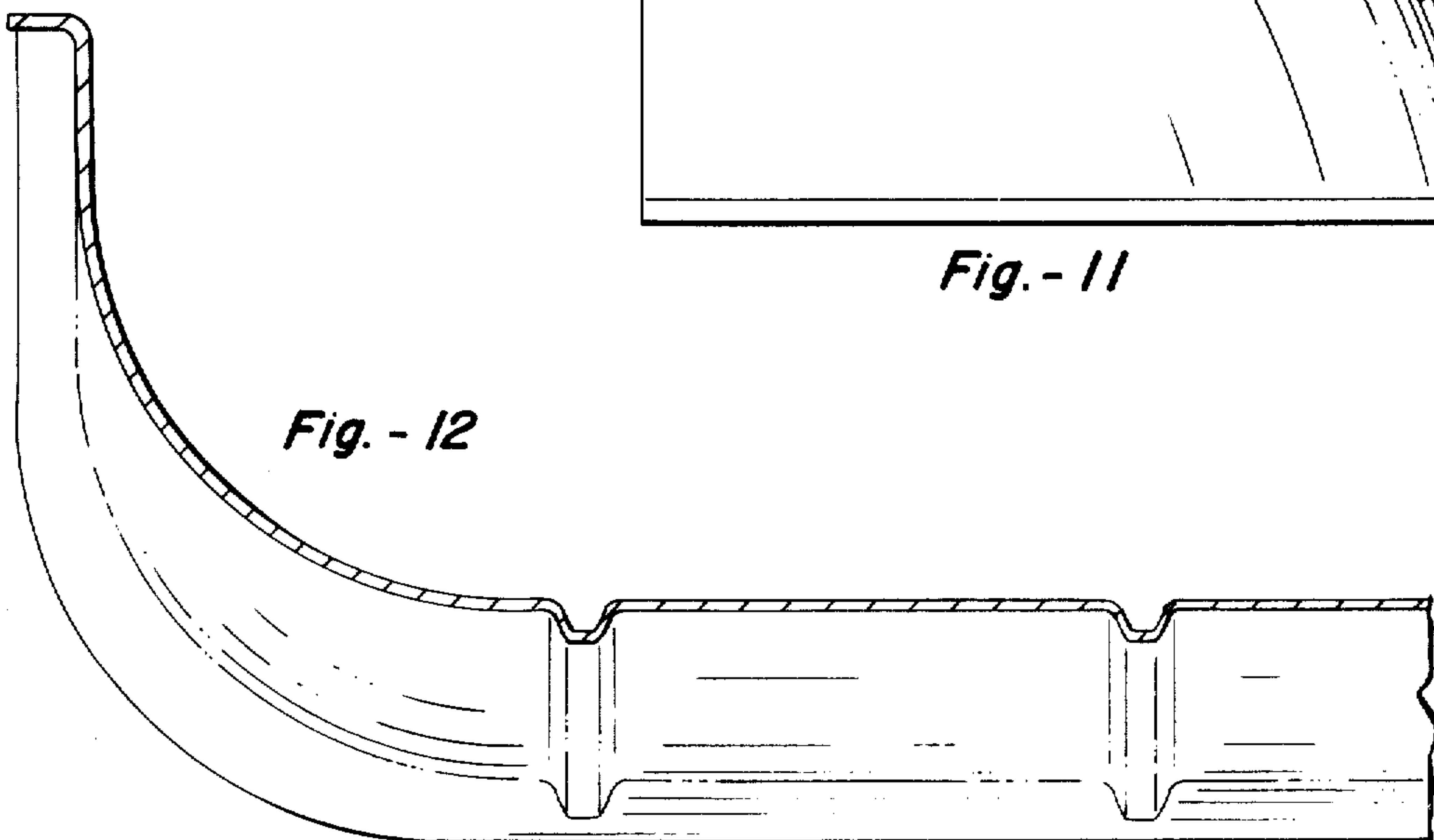
*Fig. - 9*



*Fig. - 10*



*Fig. - 11*



*Fig. - 12*

UNITED STATES PATENT AND TRADEMARK OFFICE  
**CERTIFICATE OF CORRECTION**

PATENT NO. : Des. 262,492  
DATED : December 29, 1981  
INVENTOR(S) : Ronald C. Mackes

It is certified that error appears in the above-identified patent and that said Letters Patent are hereby corrected as shown below:

On the title page add:

Related U. S. Application Data

[63] Continuation-in-part of Serial No. 24,589,  
March 28, 1979, abandoned.

**Signed and Sealed this**

*Seventh Day of September 1982*

[SEAL]

**Attest:**

**GERALD J. MOSSINGHOFF**

**Attesting Officer**

*Commissioner of Patents and Trademarks*