

[54] FILTER ASSEMBLY FOR FLOWLINE
FILTERING OF BULK LIQUIDS

[75] Inventors: Elizabeth M. Ward, Maidenhead;
Gerald Buckingham, Hailey, near
Witney, both of England

[73] Assignee: The Diversey Corporation, London,
England

[**] Term: 14 Years

[21] Appl. No.: 967,260

[22] Filed: Dec. 5, 1978

[30] Foreign Application Priority Data

Jun. 6, 1978 [GB] United Kingdom 984949/78

[51] Int. Cl. D23-01

[52] U.S. Cl. D23/4; D24/21

[58] Field of Search D23/4; D24/21, 493;
210/445, 446, 448, 169; 128/214 R, 214 C;
119/14.33

[56]

References Cited

U.S. PATENT DOCUMENTS

D. 234,721	4/1975	Rosenberg	D23/4
D. 247,252	2/1978	Rosenberg	D23/4
D. 248,965	8/1978	Willinger	D23/4
D. 249,541	9/1978	Cattano	D23/4
D. 252,284	7/1979	Calzia et al.	D24/21
D. 252,470	7/1979	Pawlak	D23/4
3,932,153	1/1976	Byrns	210/446
3,986,958	10/1976	Cattano	210/169
4,170,056	10/1979	Meyst et al.	210/446

Primary Examiner—Bernard Ansher
Attorney, Agent, or Firm—Murray and Whisenhunt

[57]

CLAIM

The ornamental design for a filter assembly for flowing
filtering of bulk liquids, substantially as shown.

DESCRIPTION

FIG. 1 is a perspective view of the filter for liquids from
above, when the filter is closed,
FIG. 2 is an elevation of the filter for liquids,
FIG. 3 is a plan view of the filter for liquids, and
FIG. 4 is a perspective view of the filter for liquids from
above, when the filter is open.

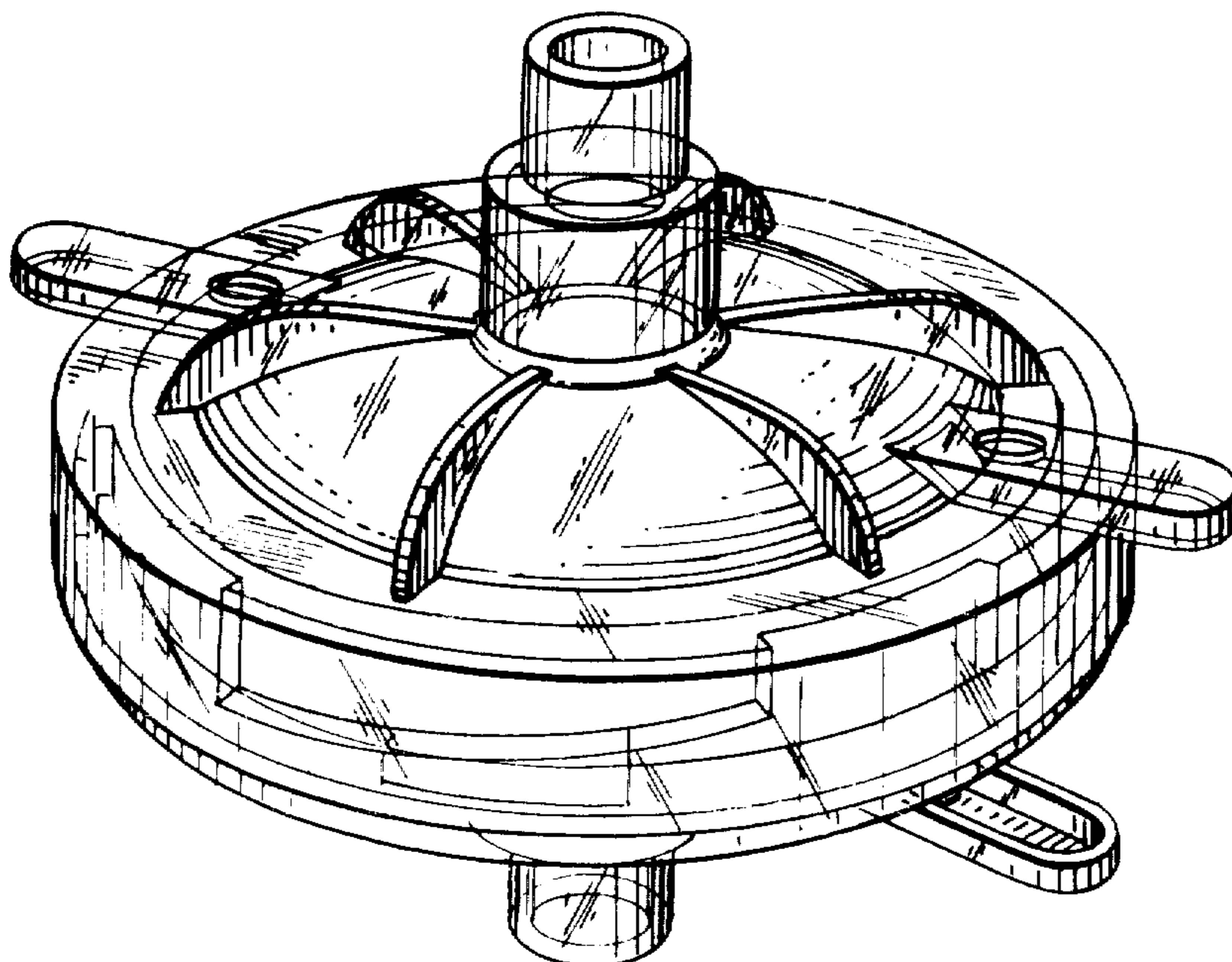


FIG. 1

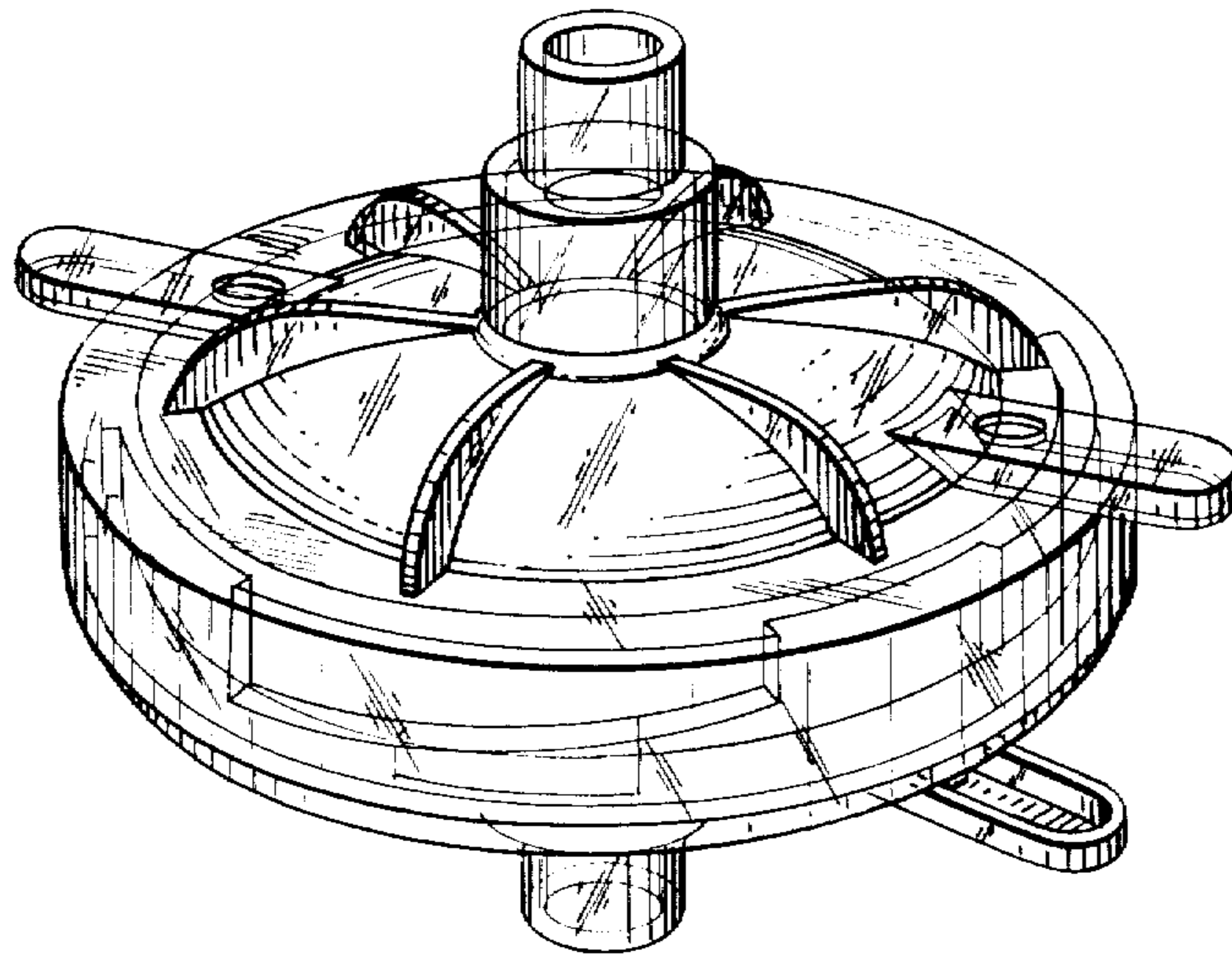


FIG. 2

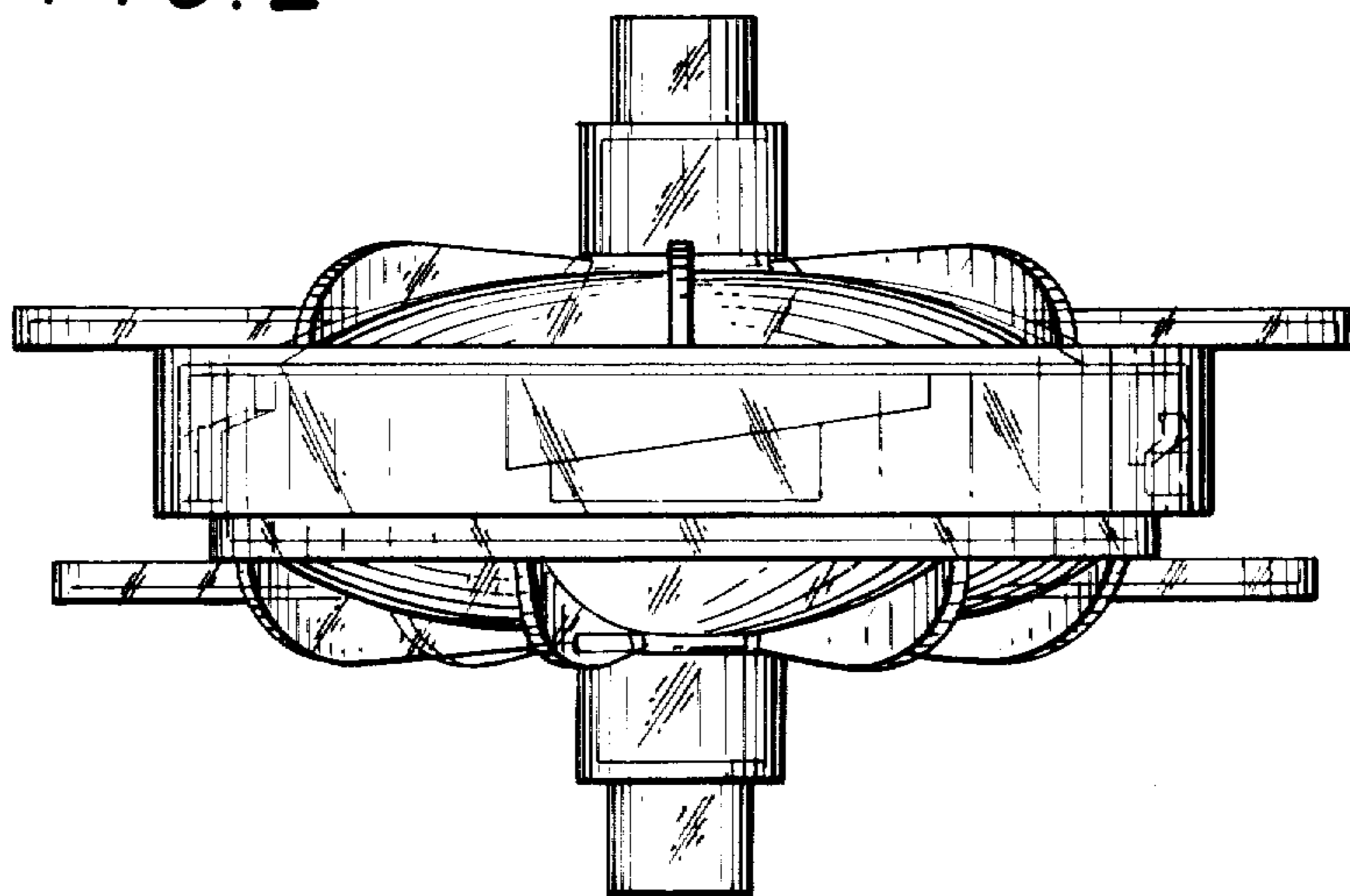


FIG. 3

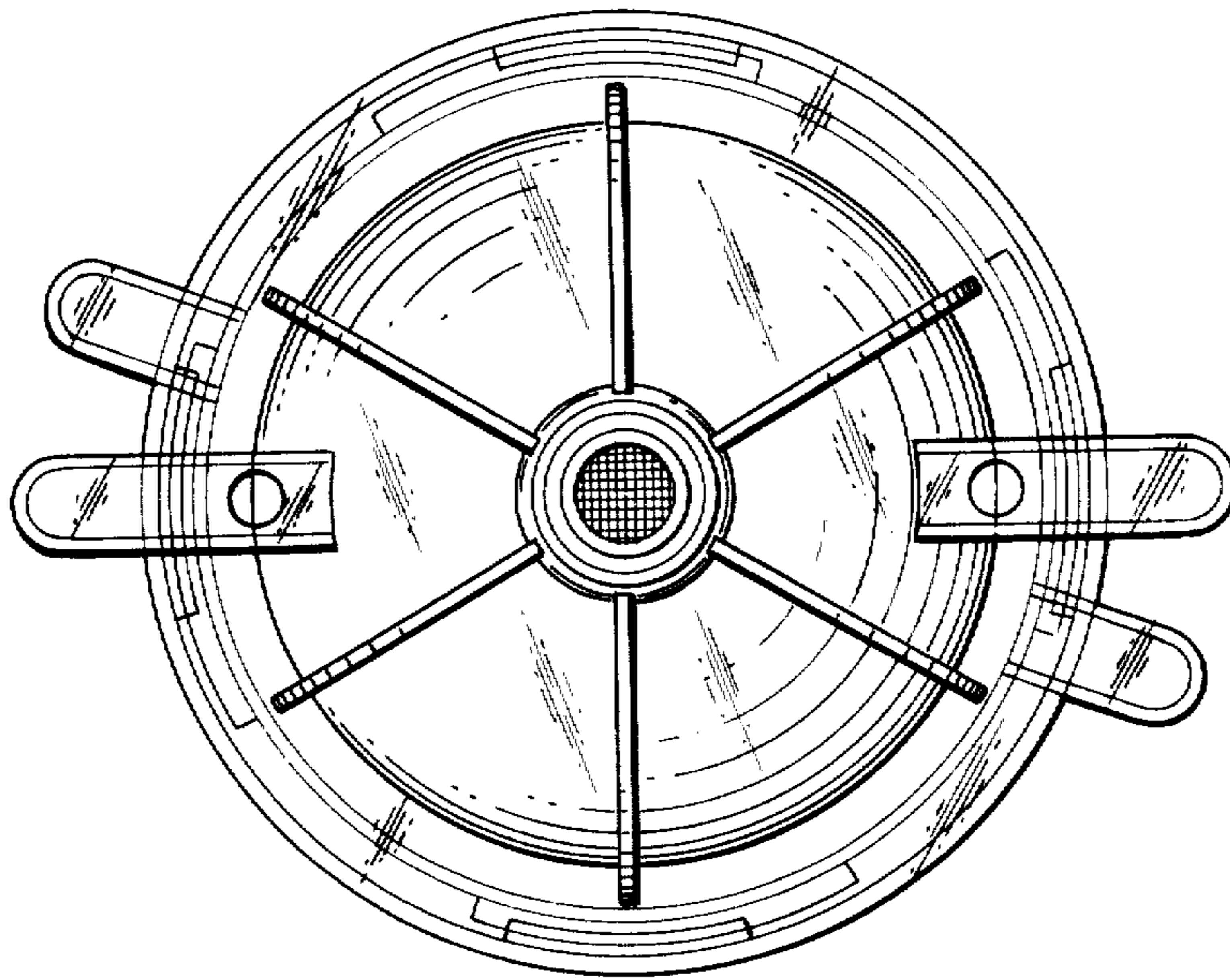


FIG. 4

