

[54] FISHING REEL

[75] Inventor: Vernon R. Miller, Tulsa, Okla.

[73] Assignee: Brunswick Corporation, Skokie, Ill.

[**] Term: 14 Years

[21] Appl. No.: 25,906

[22] Filed: Apr. 2, 1979

[51] Int. Cl. D22-05

[52] U.S. Cl. D22/25

[58] Field of Search 242/84.1 R; D22/25

[56] References Cited

U.S. PATENT DOCUMENTS

D. 231,225	4/1974	Hull	D22/25
2,915,258	12/1959	Hull	D22/25 X
2,929,578	3/1960	Hull	D22/25 X

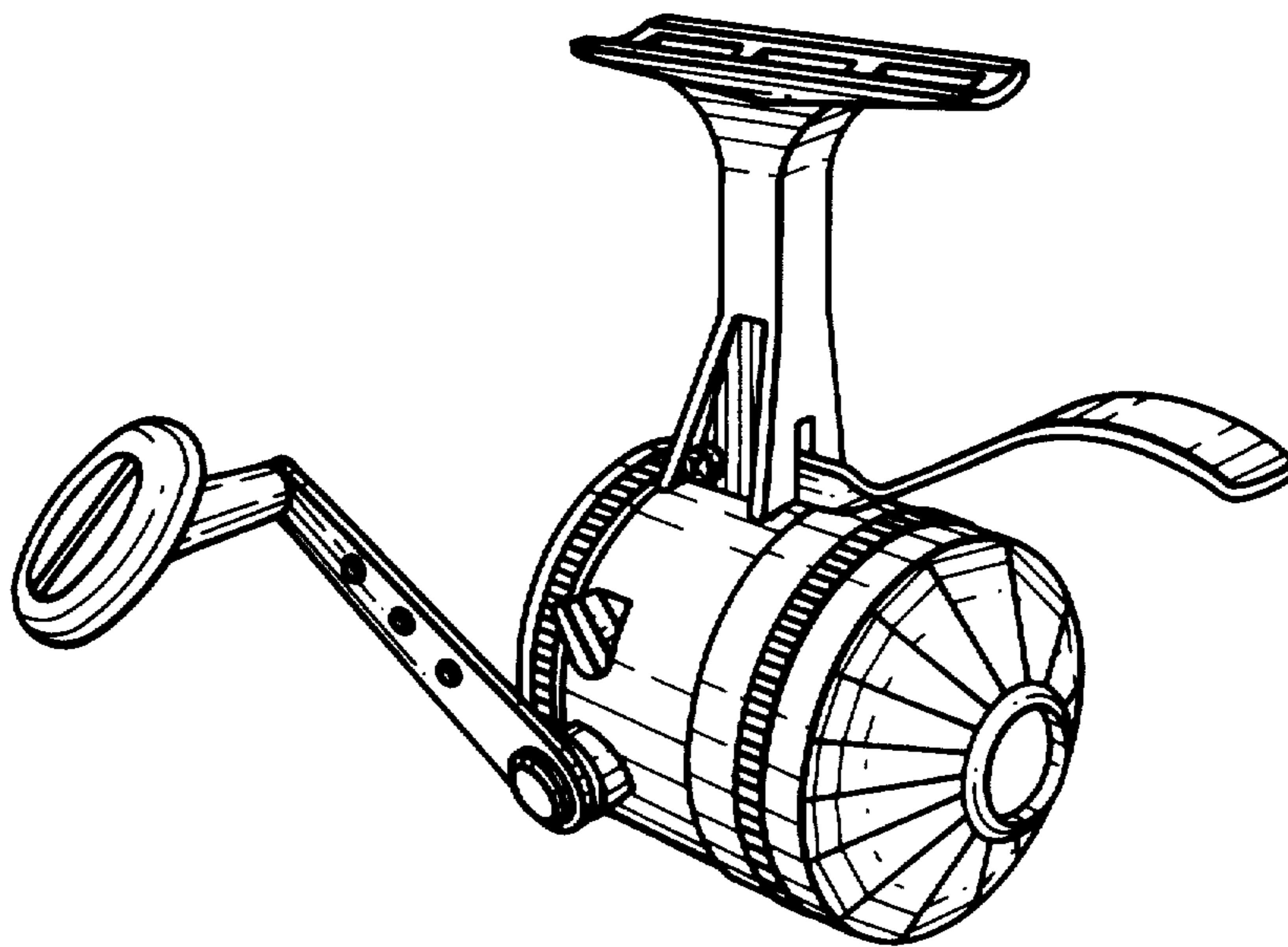
Primary Examiner—A. Hugo Word
Attorney, Agent, or Firm—John G. Heimovics

[57] CLAIM

The ornamental design of a fishing reel, as shown and described.

DESCRIPTION

FIG. 1 is a perspective view of the front of the fishing reel showing my new design;
 FIG. 2 is a perspective view of the rear portion of the fishing reel showing my new design;
 FIG. 3 is a right side elevation view thereof;
 FIG. 4 is a front elevation view thereof;
 FIG. 5 is a left side elevation view thereof;
 FIG. 6 is a rear elevation view thereof;
 FIG. 7 is a bottom plan view thereof; and,
 FIG. 8 is a top plan view thereof.



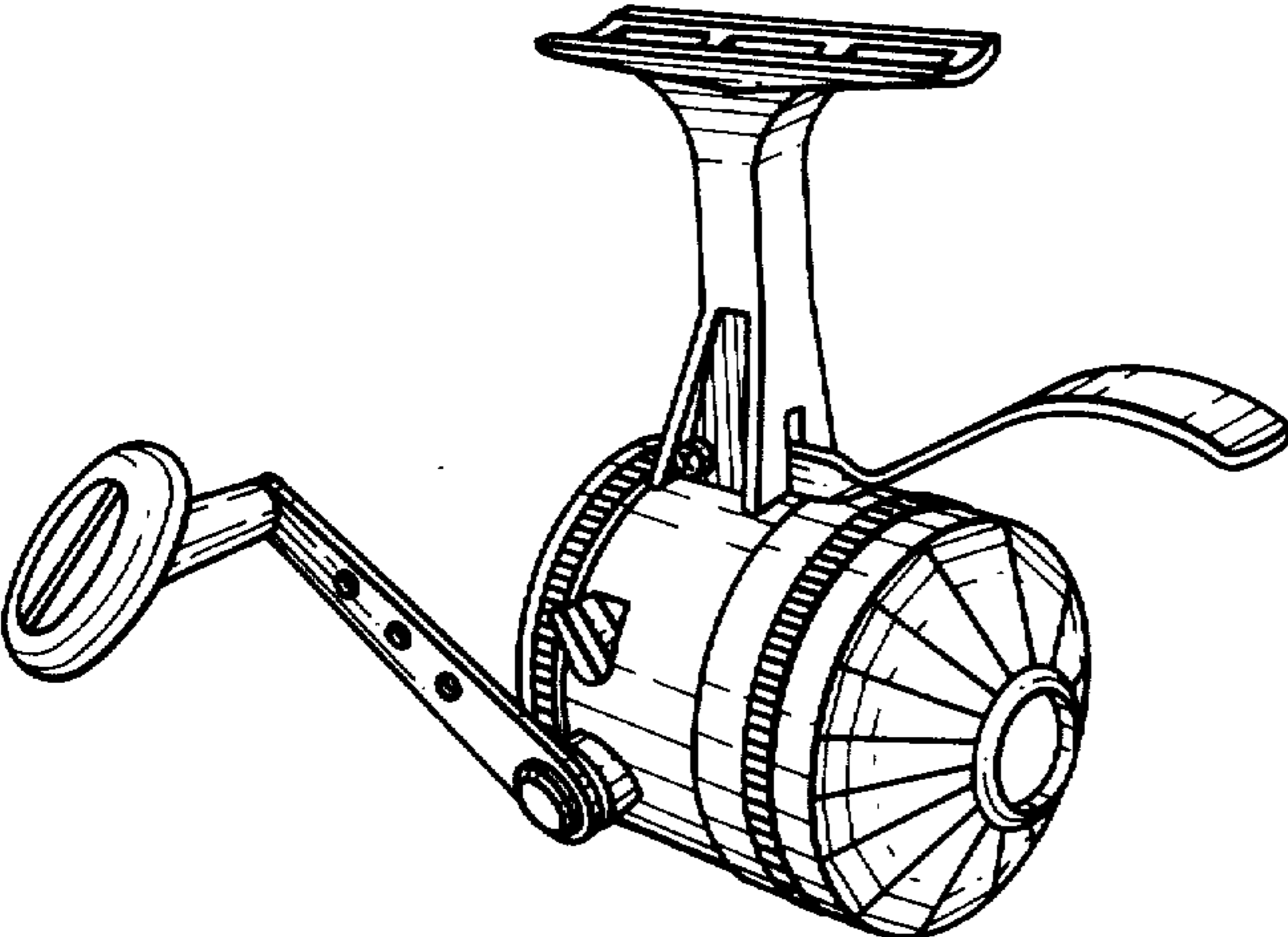


FIG. 1

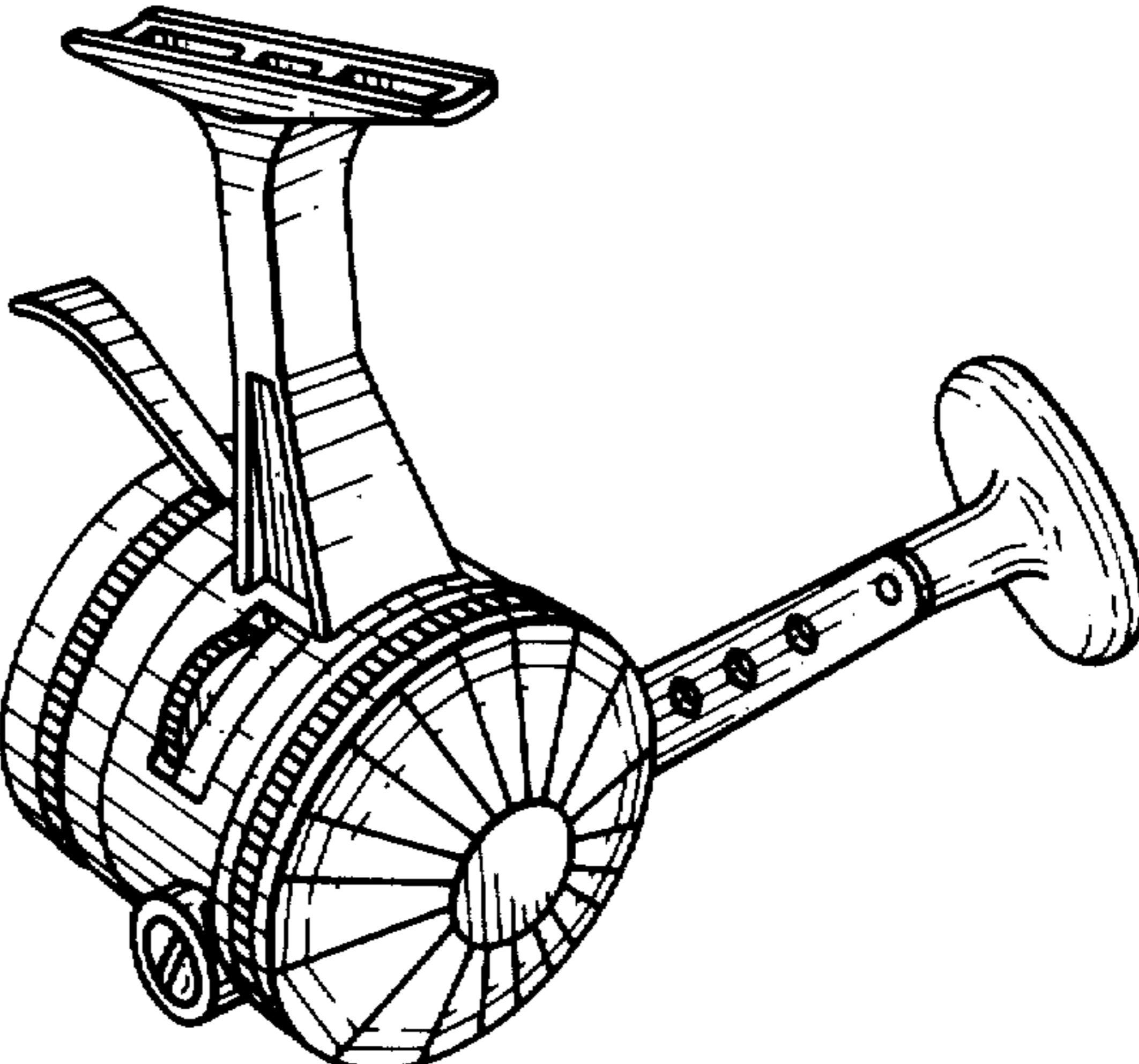


FIG. 2

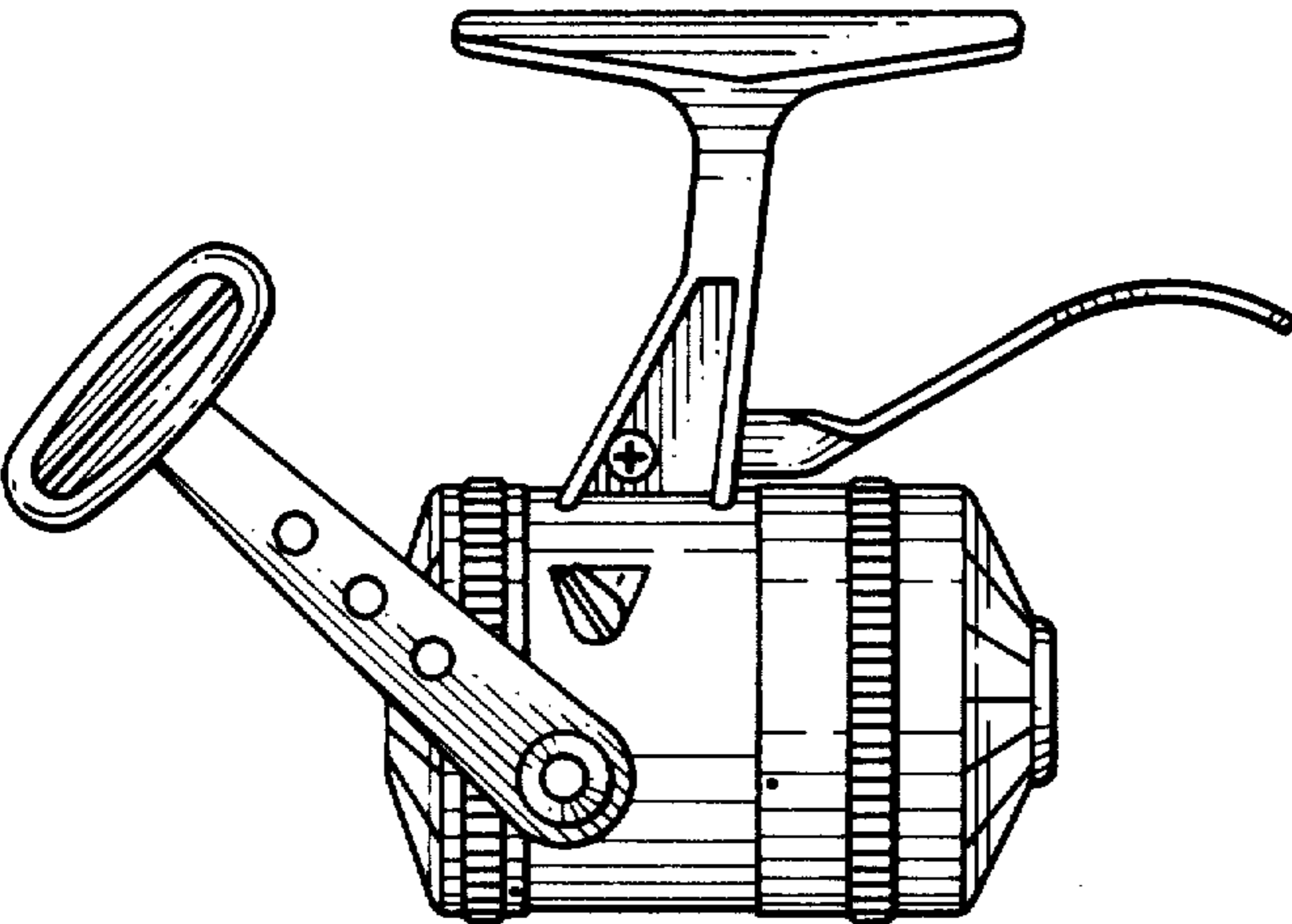


FIG. 3

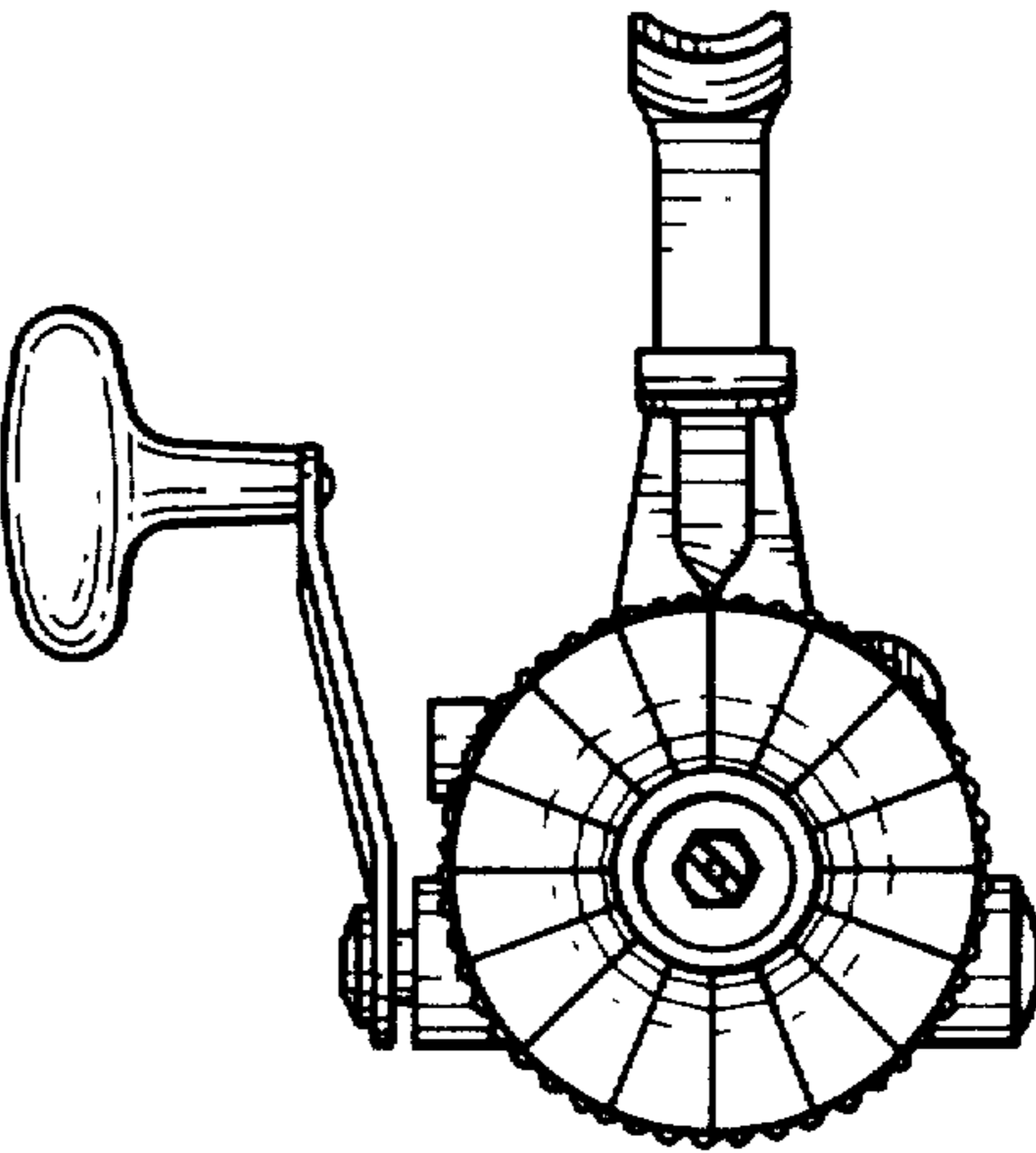


FIG. 4

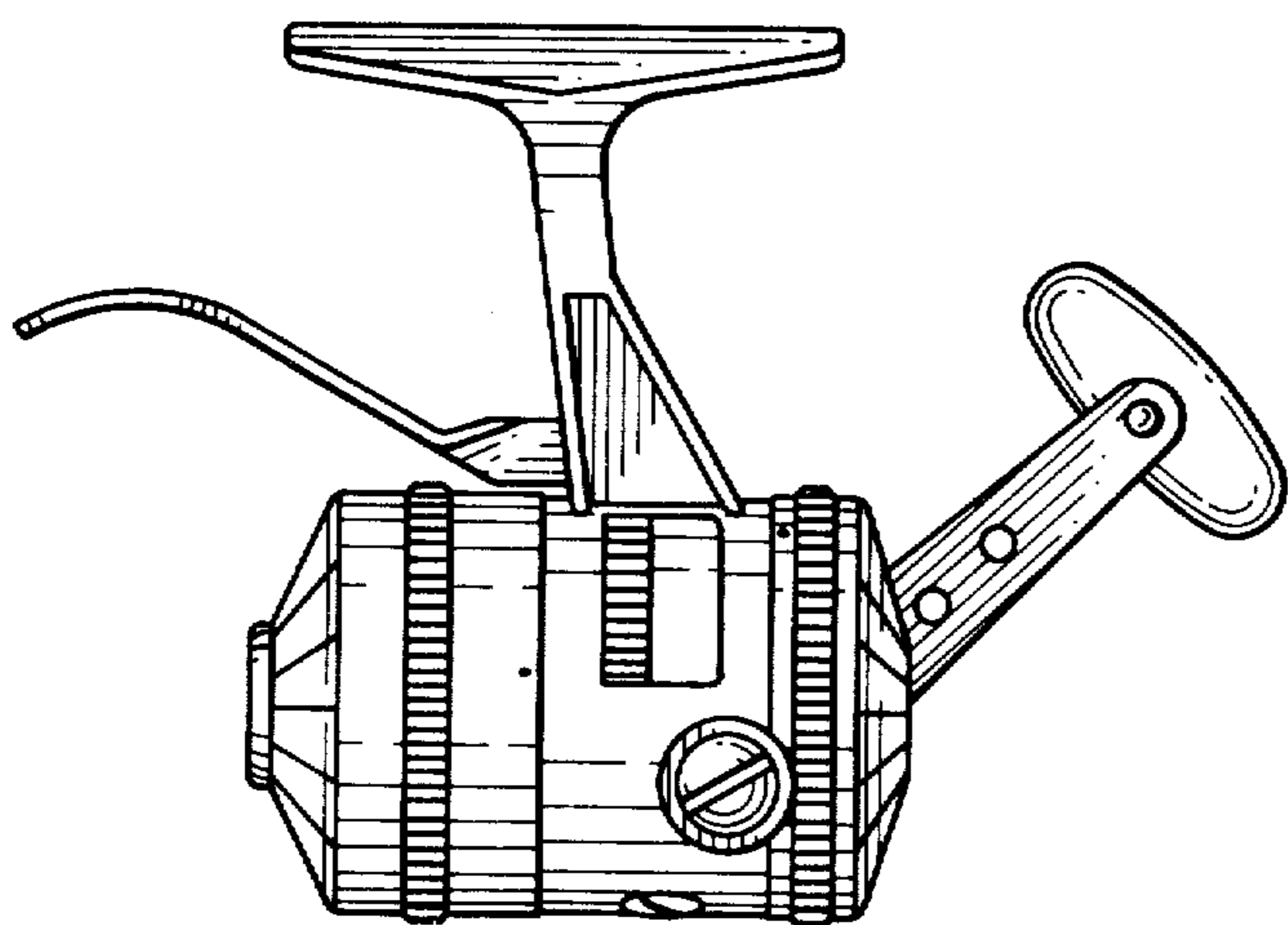


FIG. 5

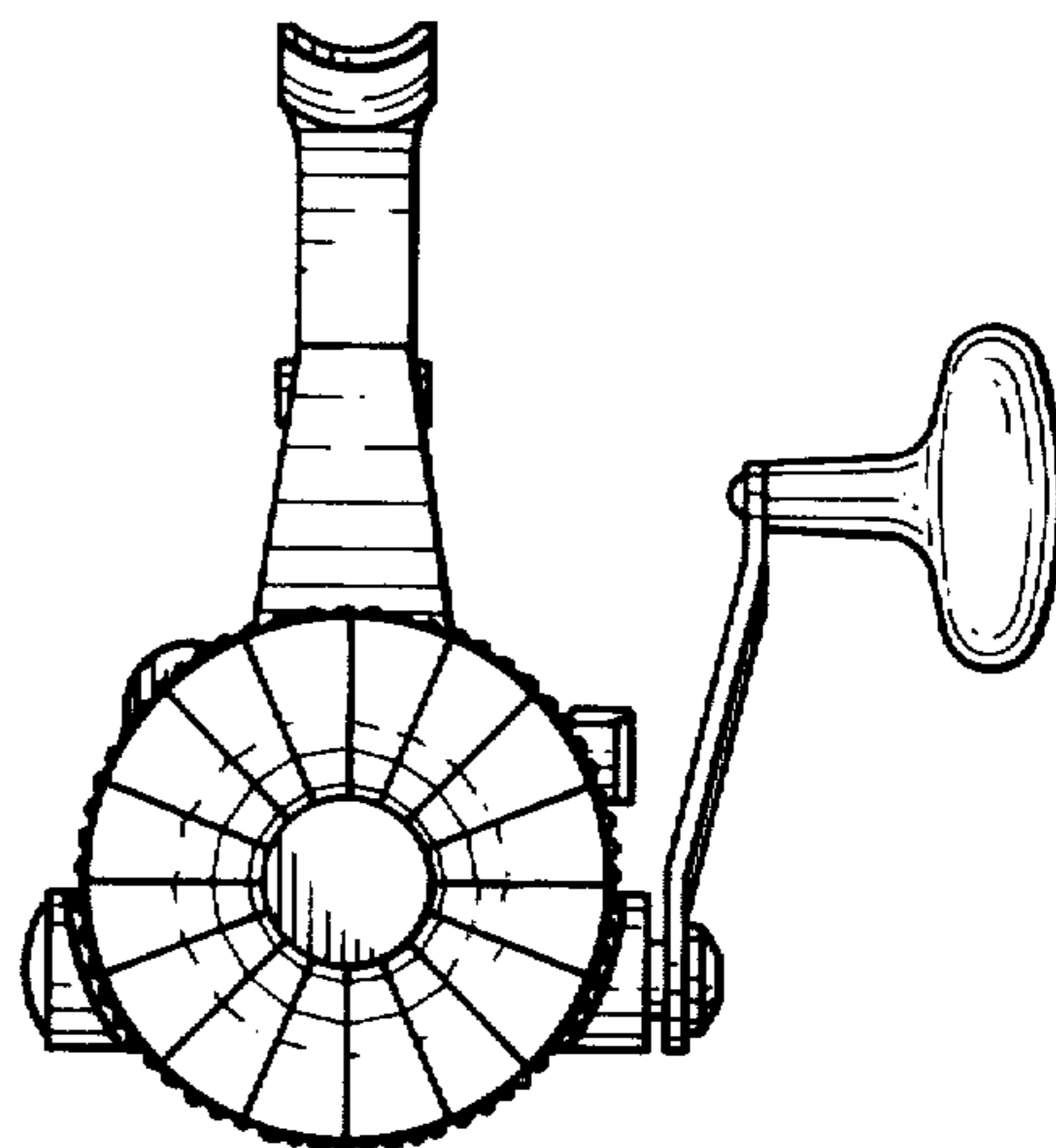


FIG. 6

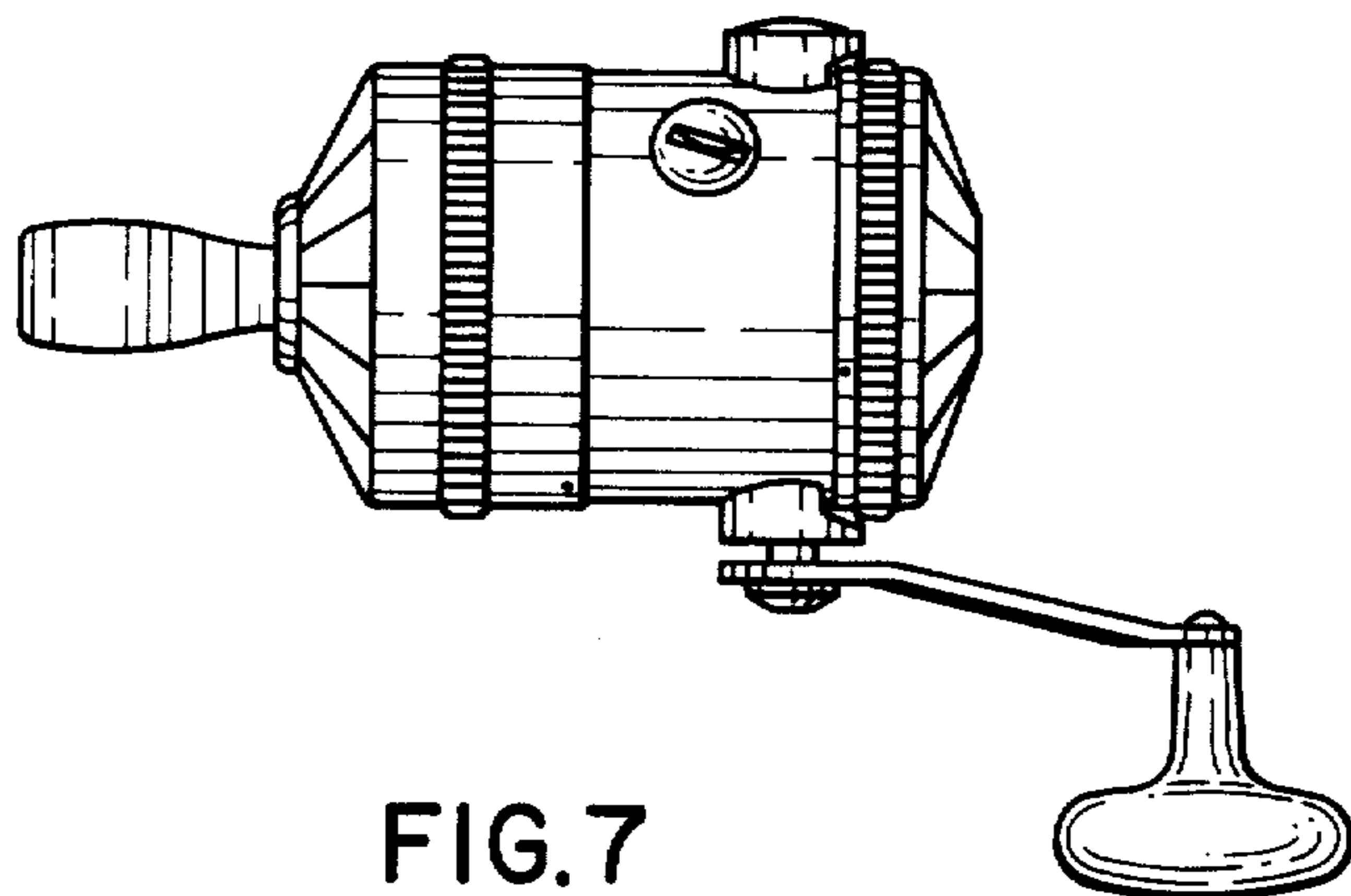


FIG. 7

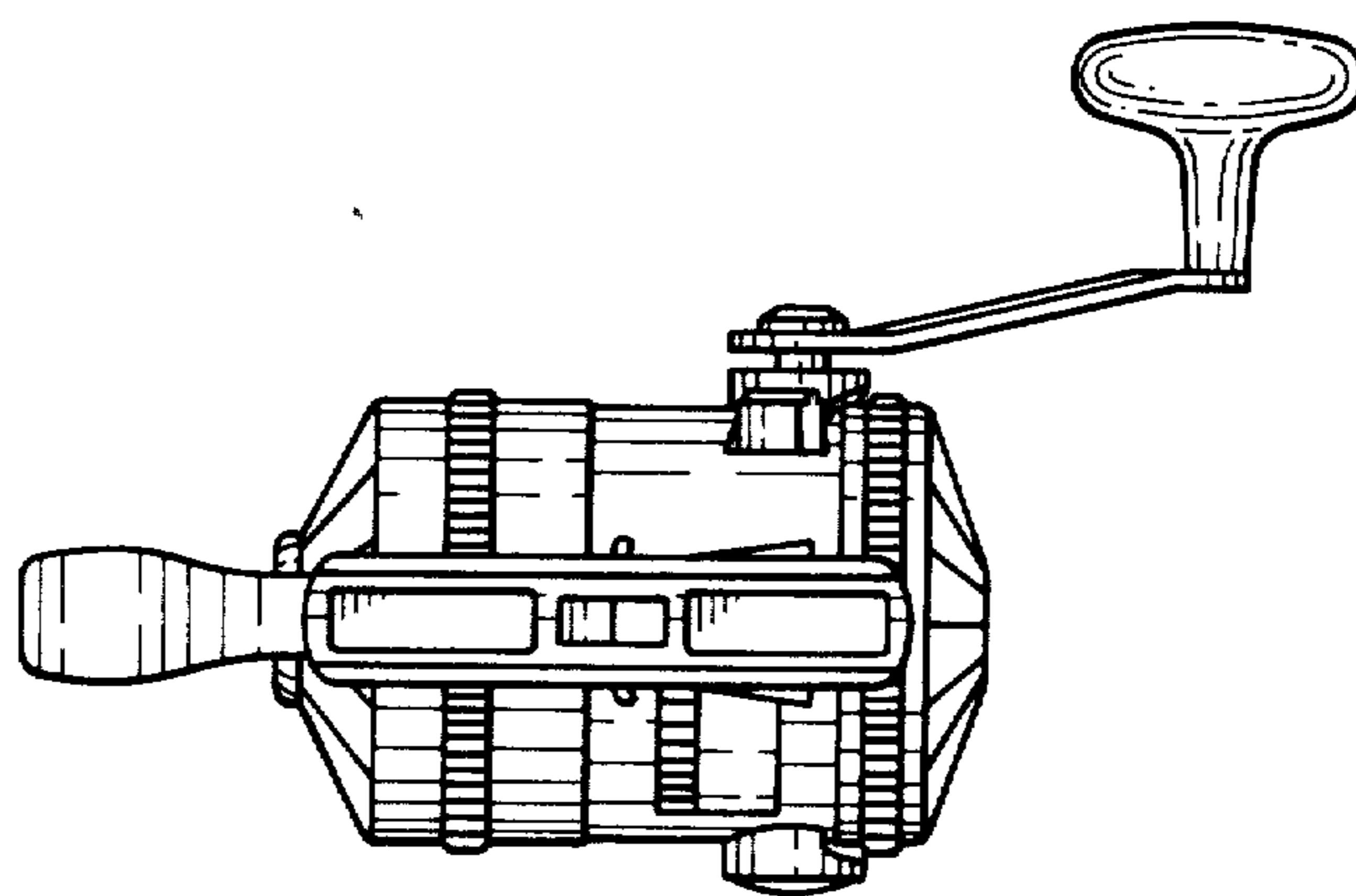


FIG. 8